

[54] **BEVERAGE TRAY**
 [75] Inventor: **Yngve Källström, Jönköping, Sweden**
 [73] Assignees: **Lennart Almquist, Mullsjo; Goran Kjellerstedt, Huskvarna, both of Sweden**
 [**] Term: **14 Years**
 [21] Appl. No.: **825,546**
 [22] Filed: **Aug. 17, 1977**
 [51] Int. Cl. **D07-99**
 [52] U.S. Cl. **D7/71**
 [58] Field of Search **D7/21, 19, 37, 38, 71, D7/70; D9/219, 185, 187, 189, 184; D19/92; D24/31**

D. 139,562 11/1944 Wentling D7/71
 D. 146,348 2/1947 Clippard D9/184 X
 2,896,829 7/1959 Bright D7/71 X
 3,315,858 4/1967 Horner D7/71 X

FOREIGN PATENT DOCUMENTS

148950 3/1903 Fed. Rep. of Germany D7/71

Primary Examiner—Winifred E. Herrmann
Attorney, Agent, or Firm—Haseltine, Lake & Waters

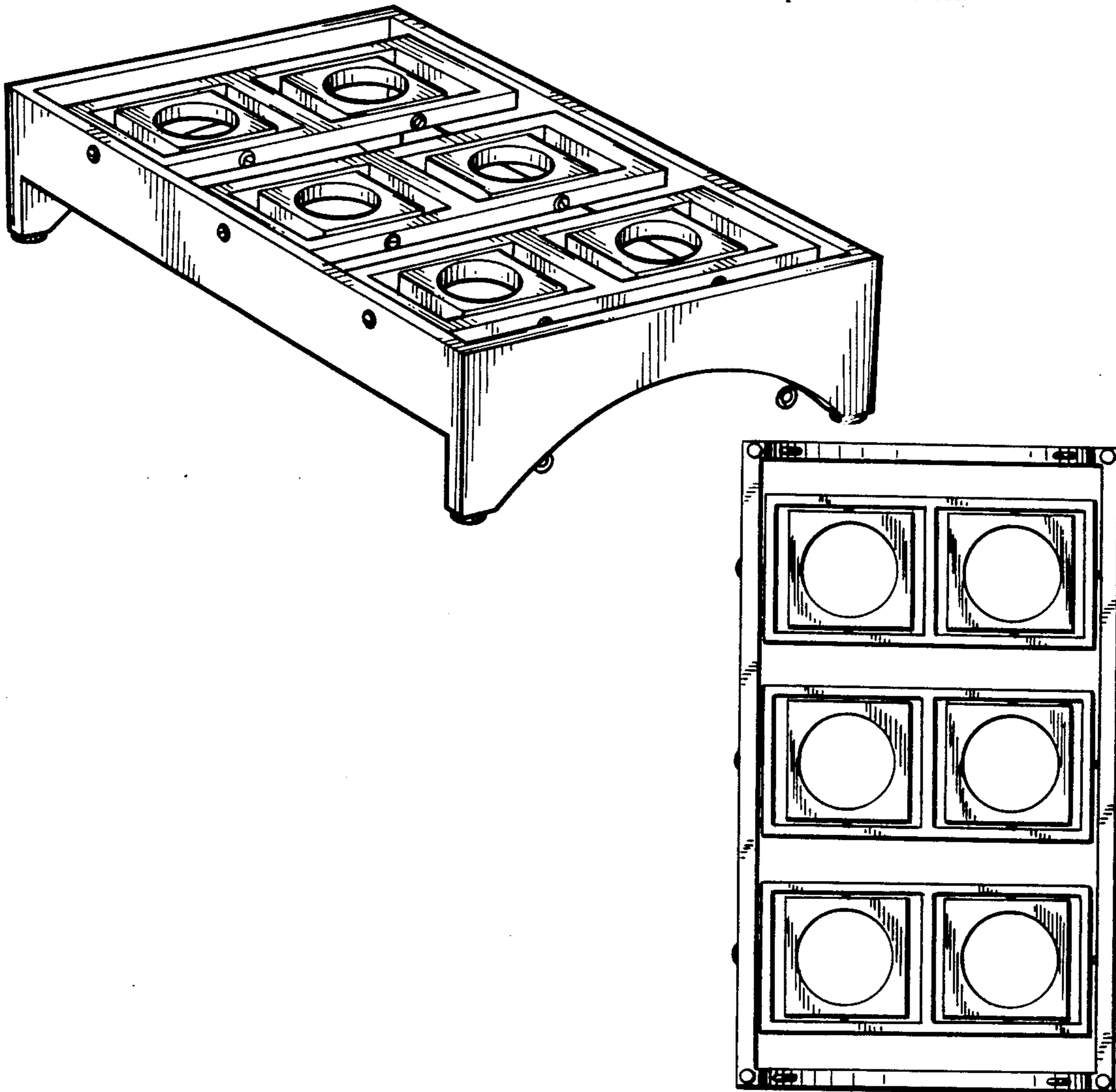
[57] **CLAIM**

The ornamental design for a beverage tray, substantially as shown.

DESCRIPTION

FIG. 1 is a top perspective view of a beverage tray showing my new design;
 FIG. 2 is a top plan view thereof;
 FIG. 3 is an elevational view of the side opposite that shown in FIG. 1;
 FIG. 4 is an elevational view of the end opposite that shown in FIG. 1; and
 FIG. 5 is a bottom plan view thereof.

[56] **References Cited**
U.S. PATENT DOCUMENTS
 D. 139,560 11/1944 Wentling D7/71
 D. 139,561 11/1944 Wentling D7/71



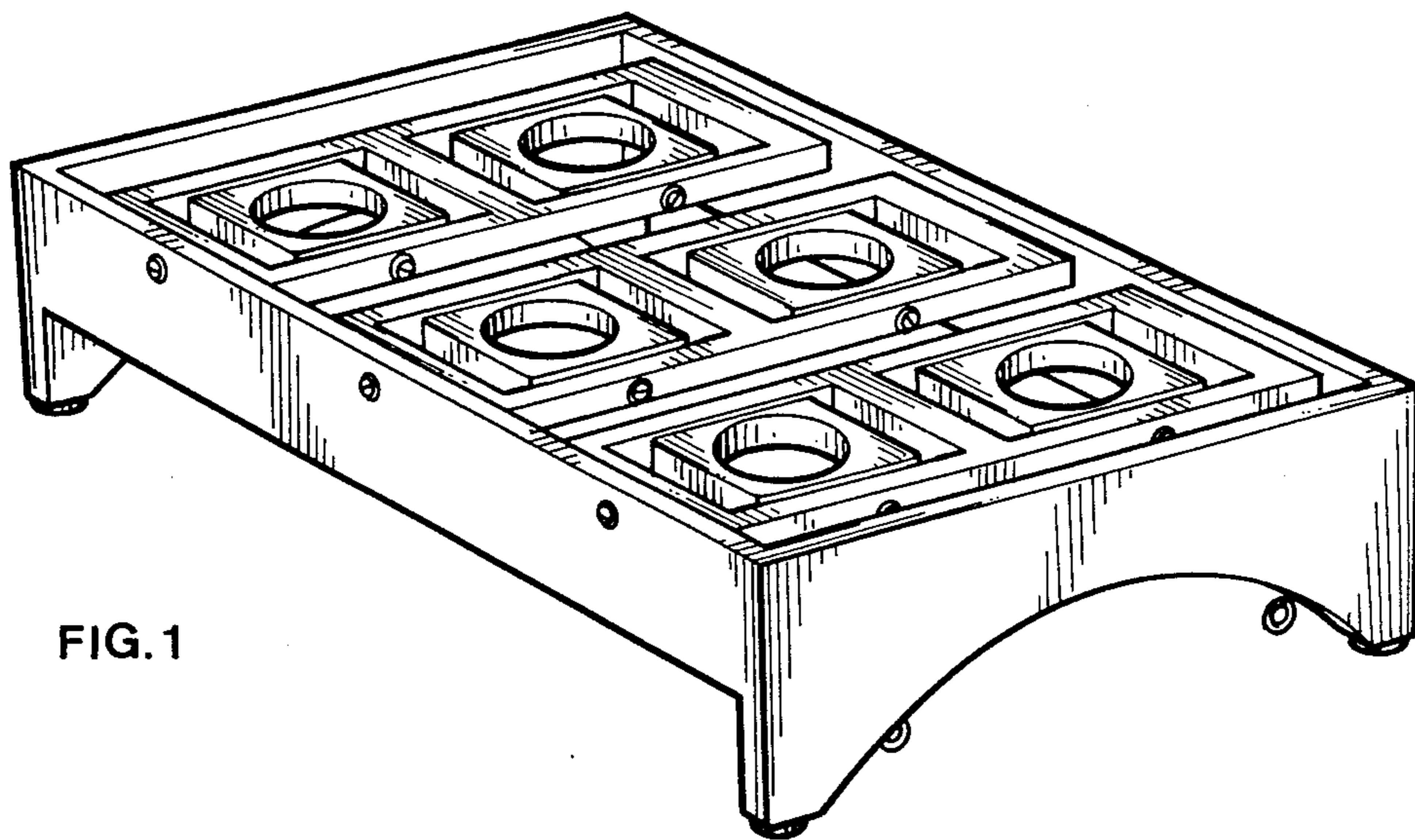


FIG. 1

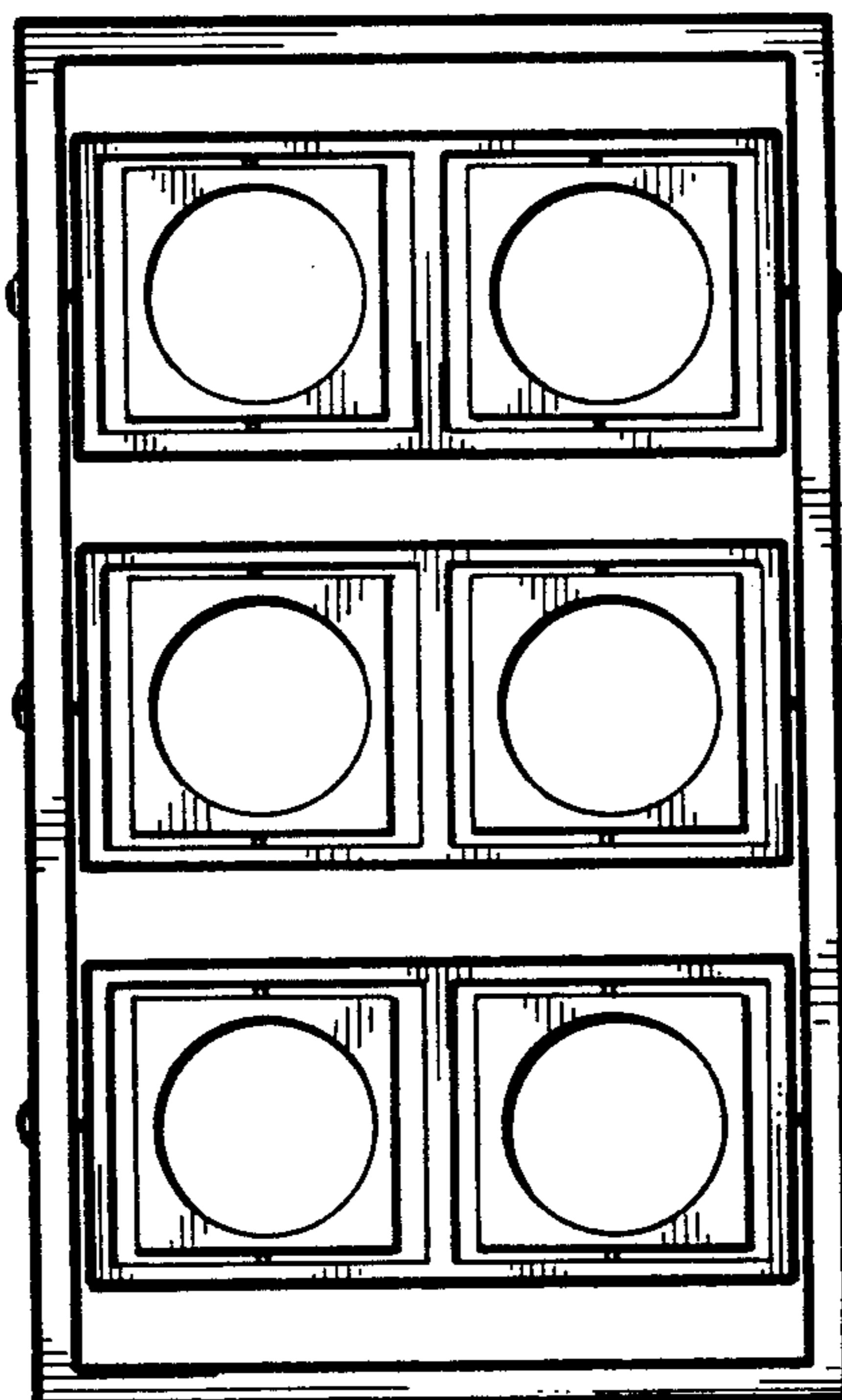


FIG. 2

FIG. 3

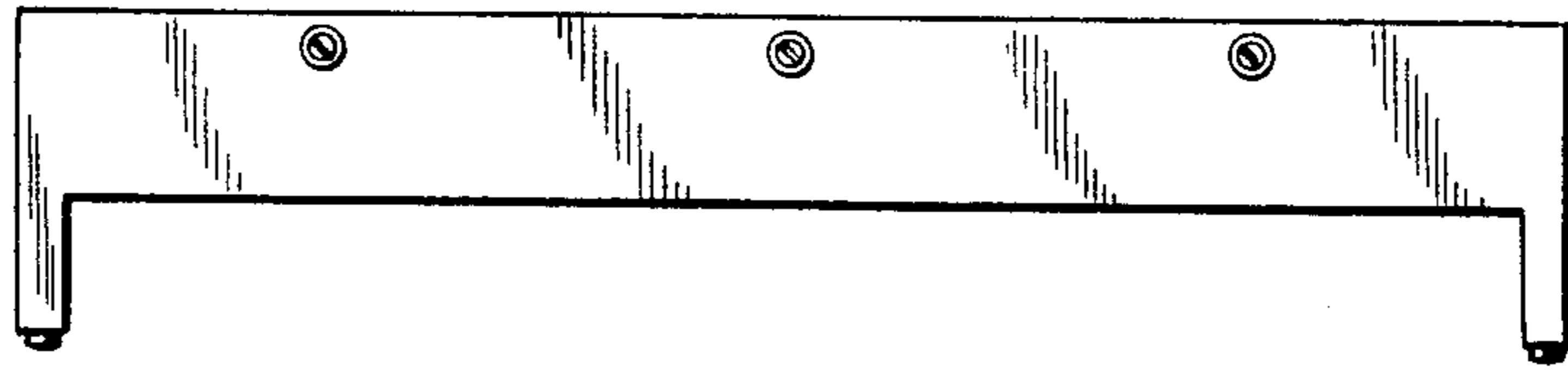


FIG. 4

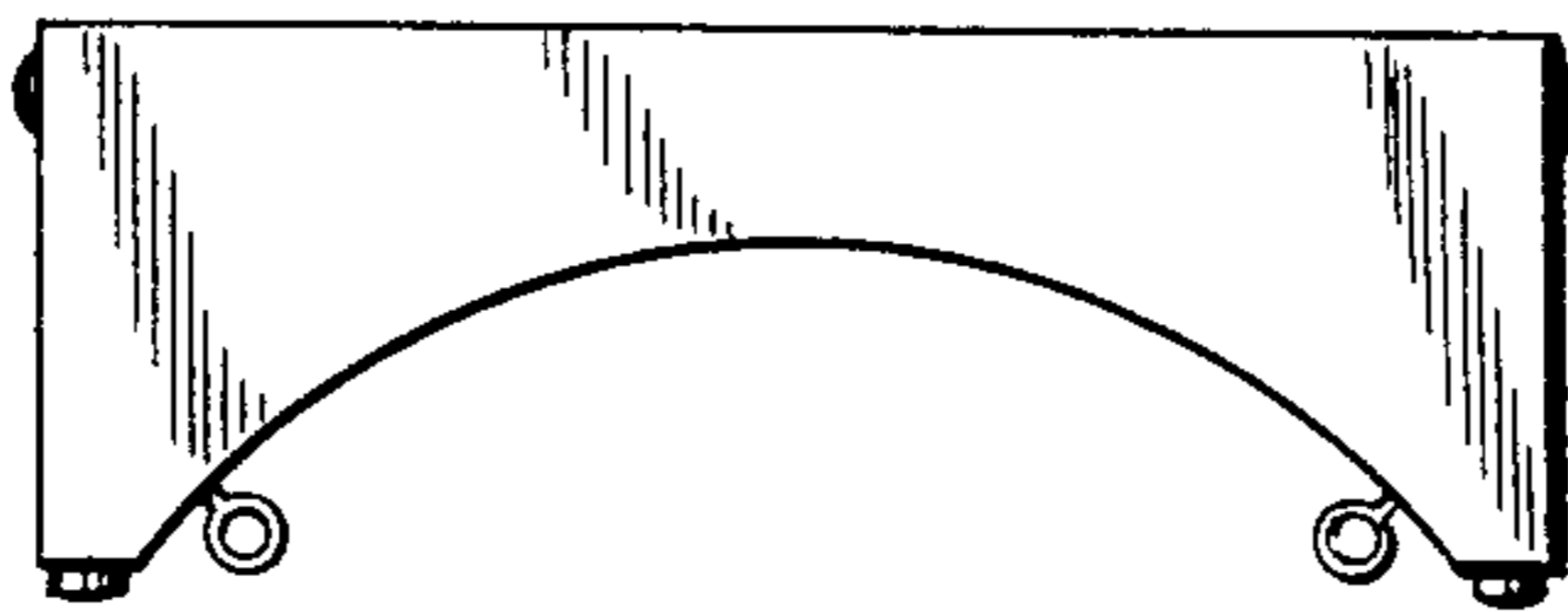


FIG. 5

