

[54] CUSHION

[76] Inventor: Patrick J. Randall, 2320 Jackson,
Joplin, Mo. 64801

[**] Term: 14 Years

[21] Appl. No.: 823,940

[22] Filed: Aug. 12, 1977

[51] Int. Cl. D6-01

[52] U.S. Cl. D6/201; D6/32;
D6/36; D6/146

[58] Field of Search D6/32-36,
D6/146, 201, 200, 147, 148

[56] References Cited

U.S. PATENT DOCUMENTS

D. 224,825	9/1972	Jenkins	D6/146
D. 230,454	2/1974	Thompson	D6/201
3,902,456	9/1975	David	D6/201 X

OTHER PUBLICATIONS

"McCalls Needlework Patterns", Feb./Mar. 1960, p. 445, item E. Cushion.

Primary Examiner—Bruce W. Dunkins
Attorney, Agent, or Firm—Lowe, Kokjer, Kircher,
Wharton & Bowman

[57] CLAIM

The ornamental design for a cushion, as shown and described.

DESCRIPTION

FIG. 1 is a perspective view of a cushion showing my new design;

FIG. 2 is a top plan view of the cushion;

FIG. 3 is a bottom plan view of the cushion;

FIG. 4 is a side elevational view of the cushion;

FIG. 5 is another side elevational view of the cushion, taken approximately 90 degrees from the view shown in FIG. 4; and

FIG. 6 is a side sectional view of the cushion taken along line 6-6 of FIG. 4 in the direction of the arrows.

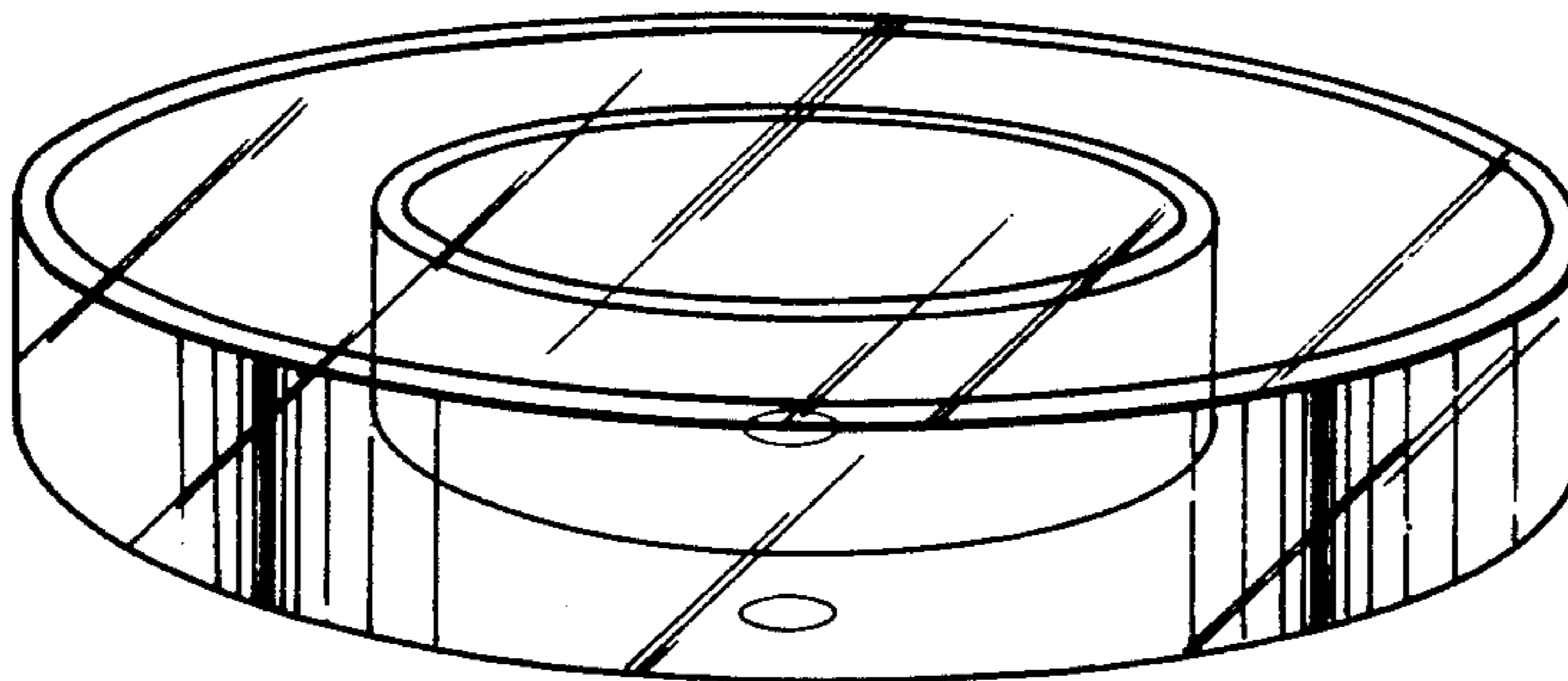


Fig. 1.

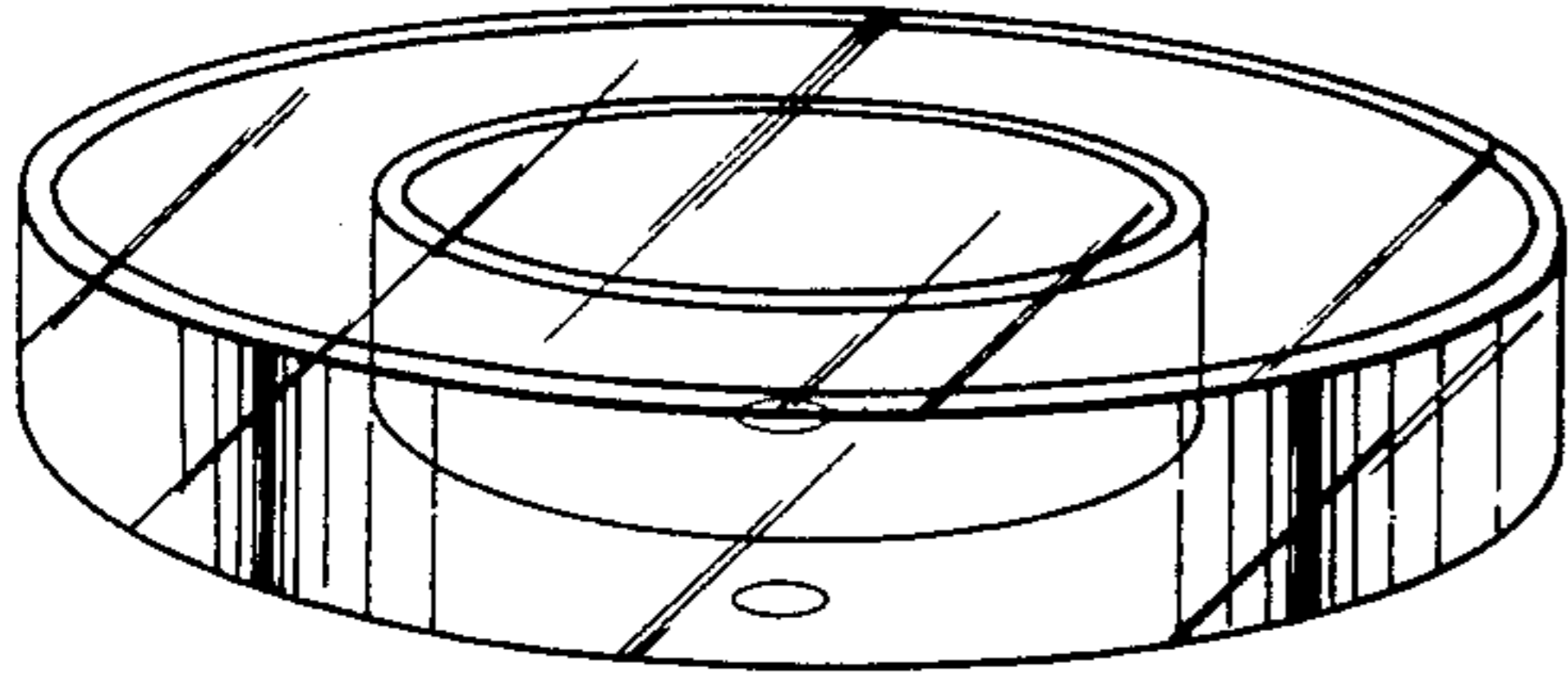


Fig. 2.

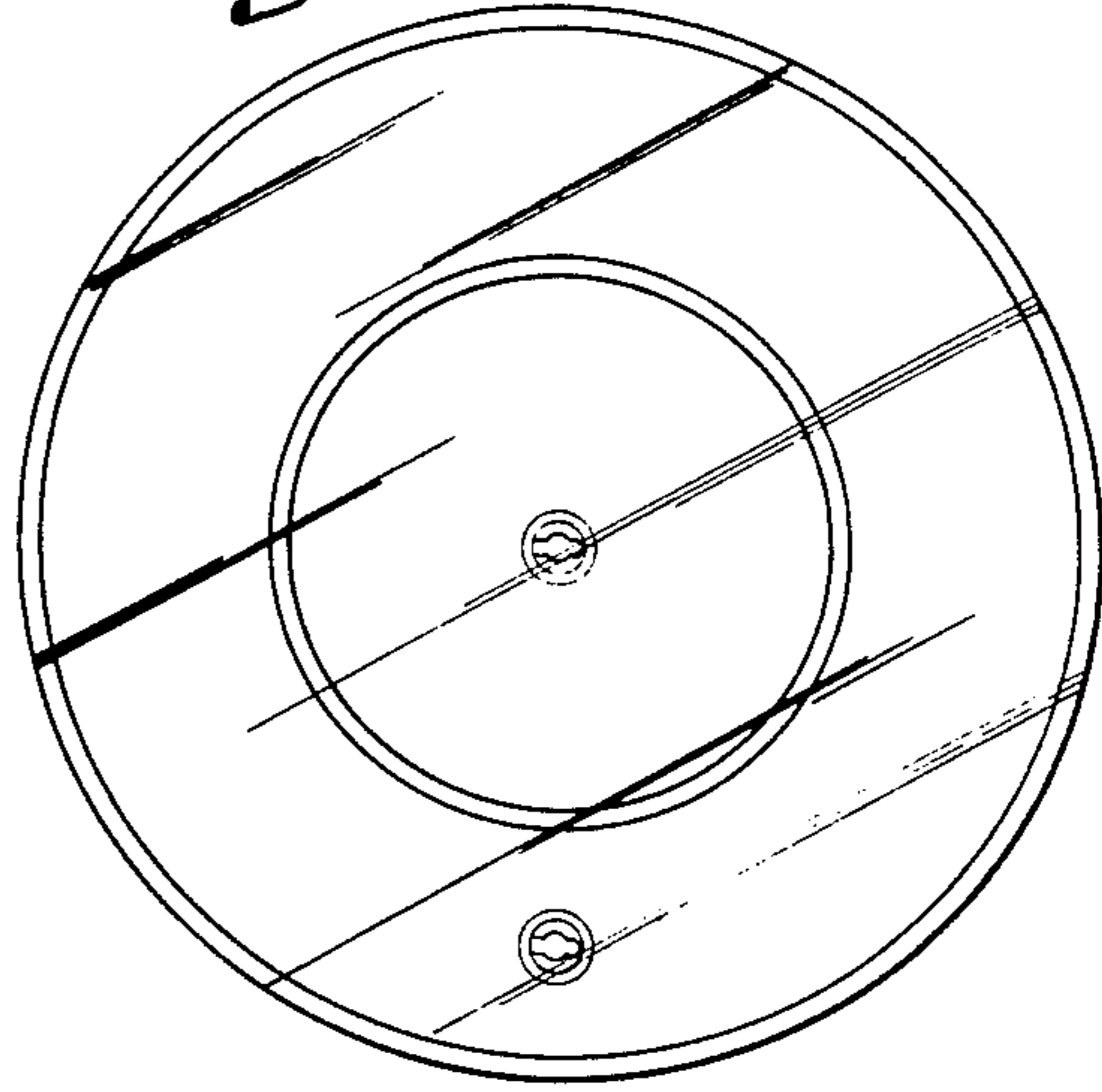


Fig. 3.

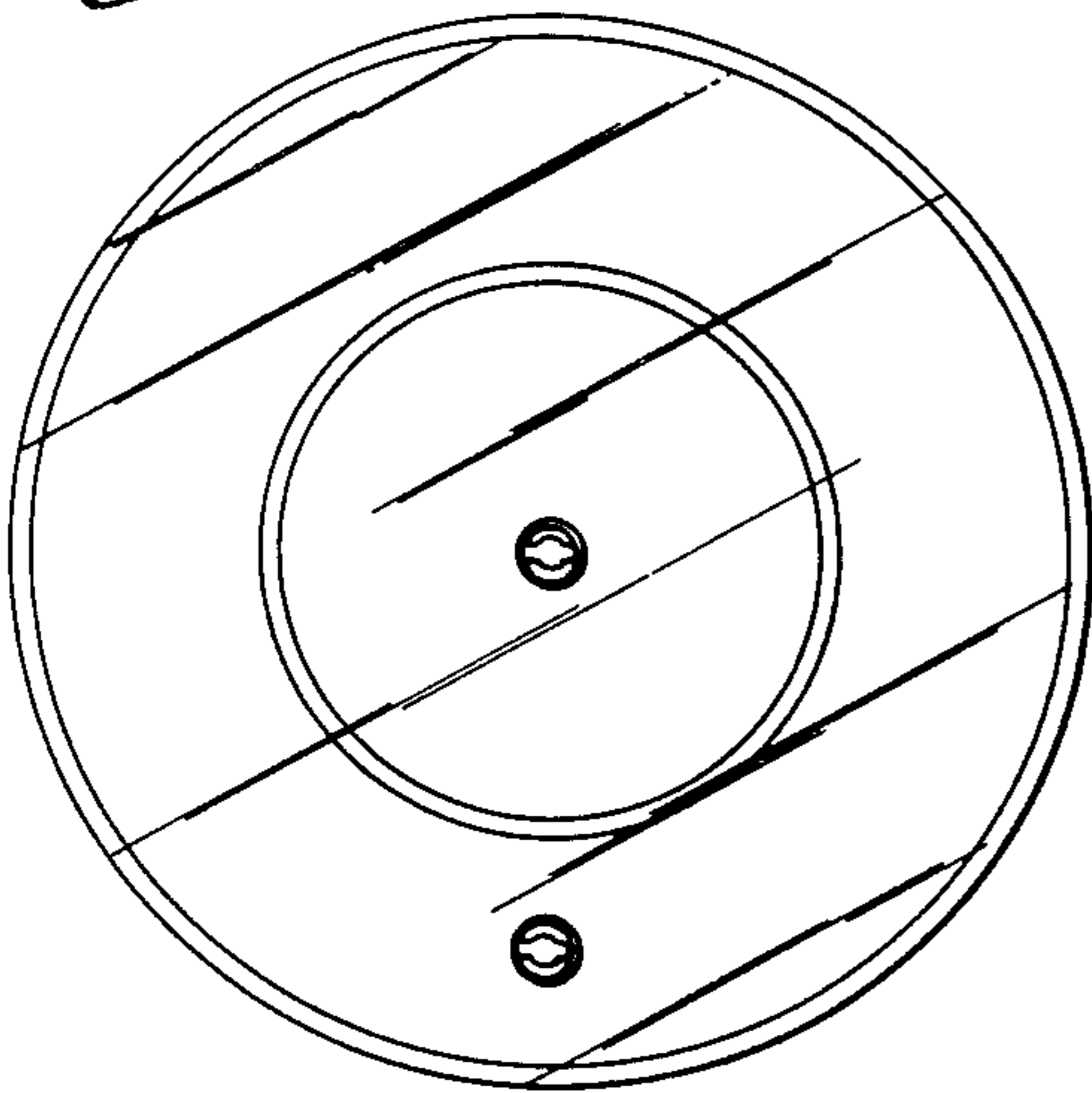


Fig. 4.

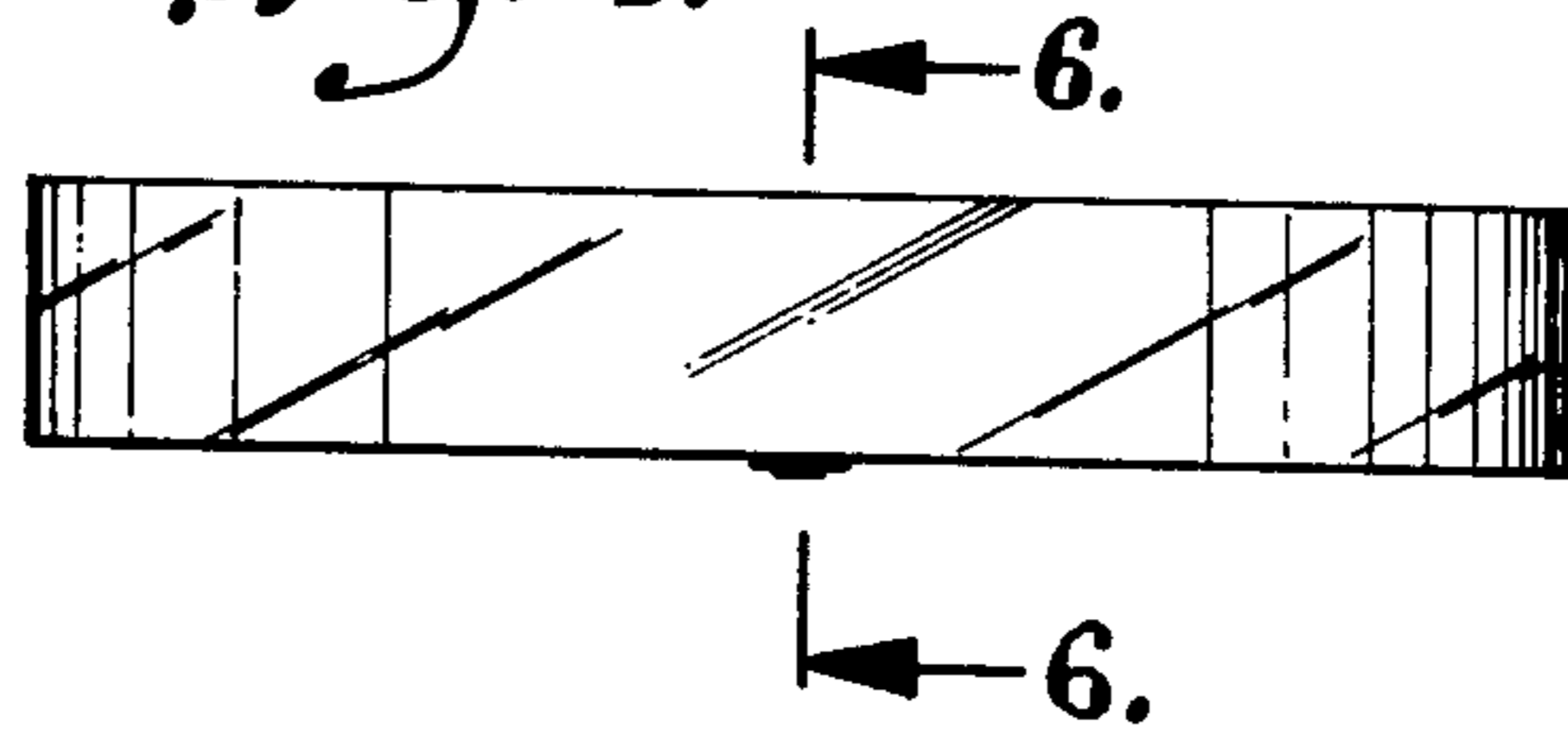


Fig. 5.

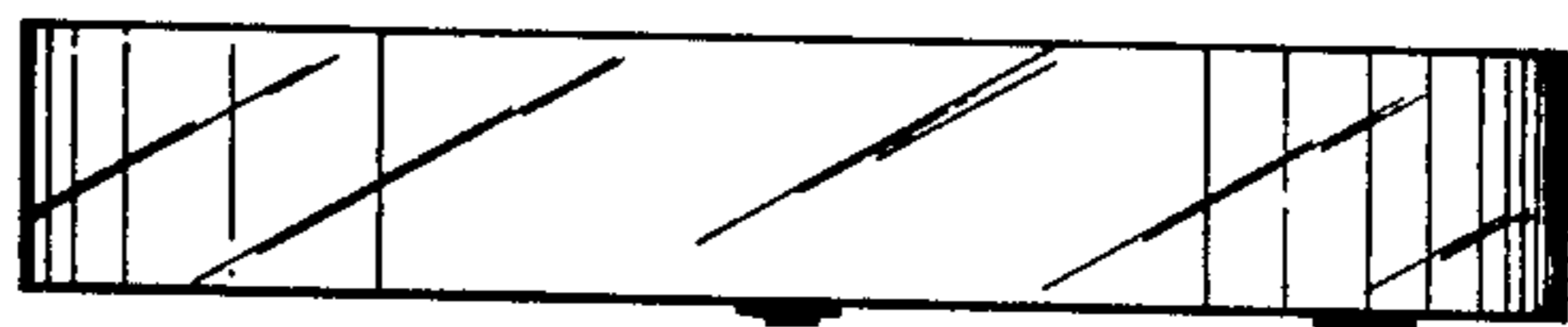


Fig. 6.

