

[54] DRAWER WALL PANEL

[75] Inventors: Leon G. Litchfield; Terence Hardy, both of Belper, England

[73] Assignee: L. B. (Plastics) Limited, Belper, England

[**] Term: 14 Years

[21] Appl. No.: 872,955

[22] Filed: Jan. 27, 1978

[30] Foreign Application Priority Data

Jul. 23, 1977 [GB] United Kingdom 980868

[51] Int. Cl. D6-06

[52] U.S. Cl. D6/191

[58] Field of Search D6/191, 186; 108/4, 108/5, 6, 8; 312/330, 343, 344, 347, 263

[56] References Cited

U.S. PATENT DOCUMENTS

3,556,626	1/1971	Schock	312/330
3,610,719	10/1971	Alston	312/330 X
3,901,572	8/1975	Litchfield	312/263 X

Primary Examiner—Bruce W. Dunkins

Attorney, Agent, or Firm—Charles O. Marshall, Jr.

[57] CLAIM

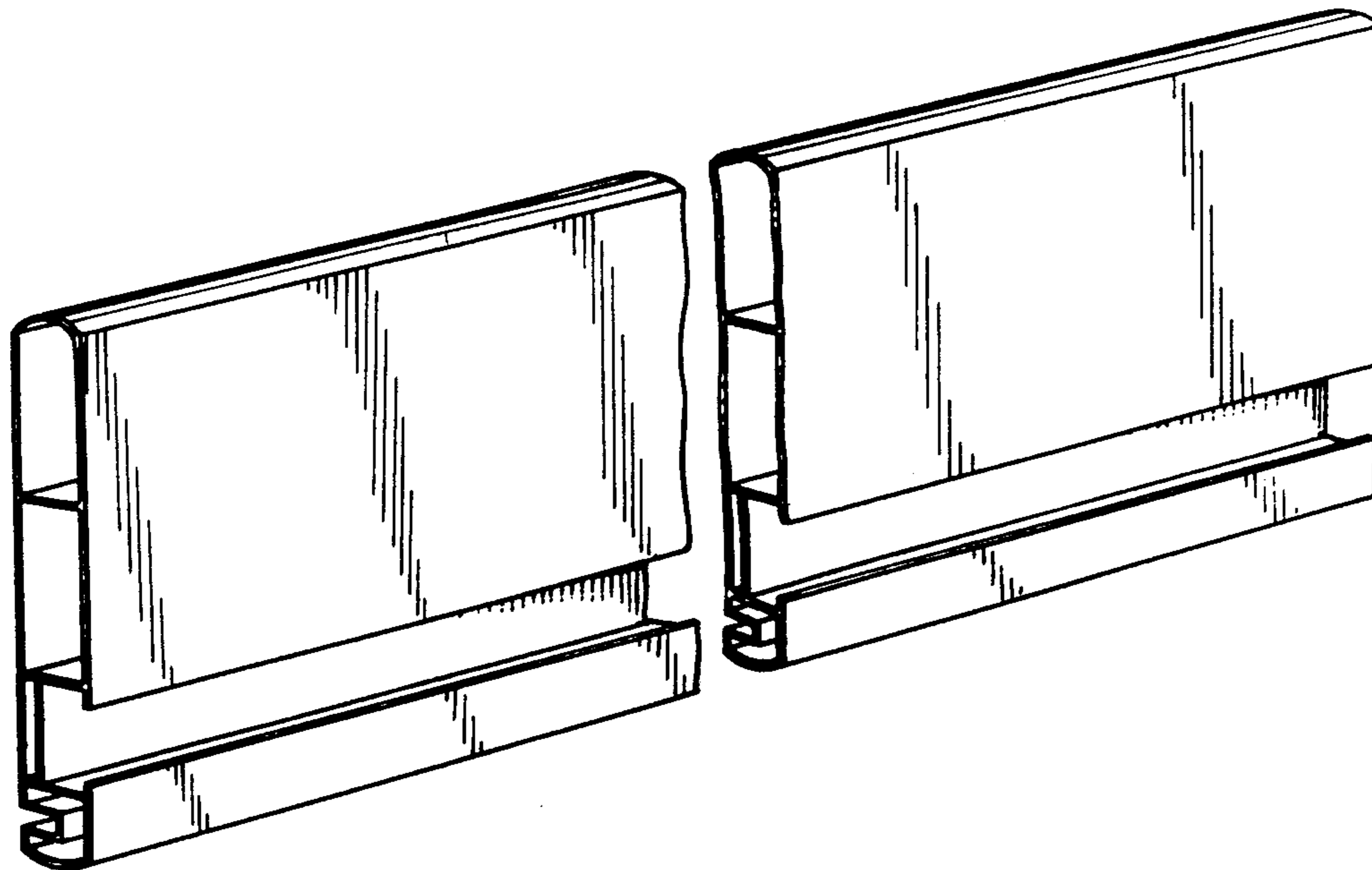
The ornamental design for a drawer wall panel, as shown and described.

DESCRIPTION

FIG. 1 is a side perspective view of a drawer wall panel showing my design; and

FIG. 2 is an end view of the drawer wall panel shown in FIG. 1;

The side of the drawer wall panel not shown is conventionally flat and unornamented.



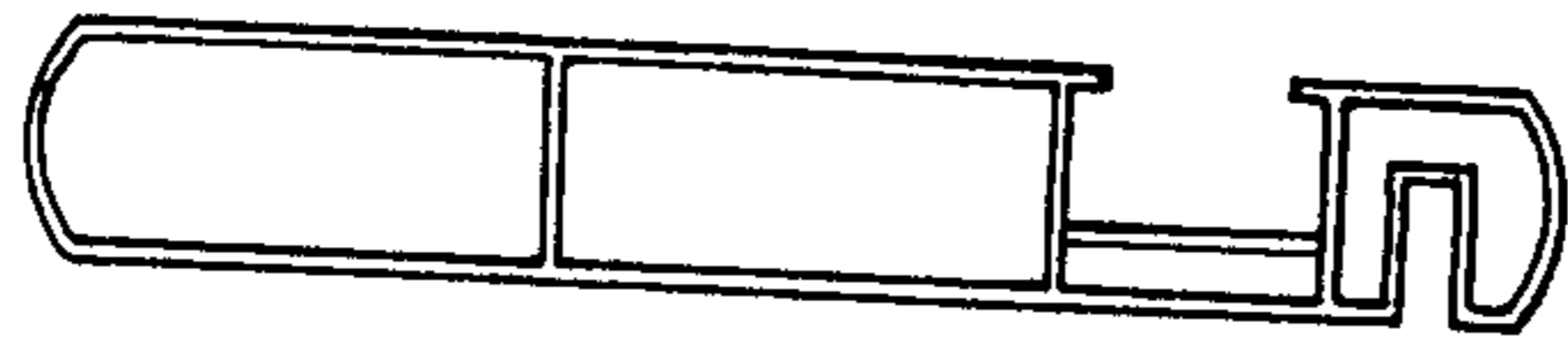


FIG. 2

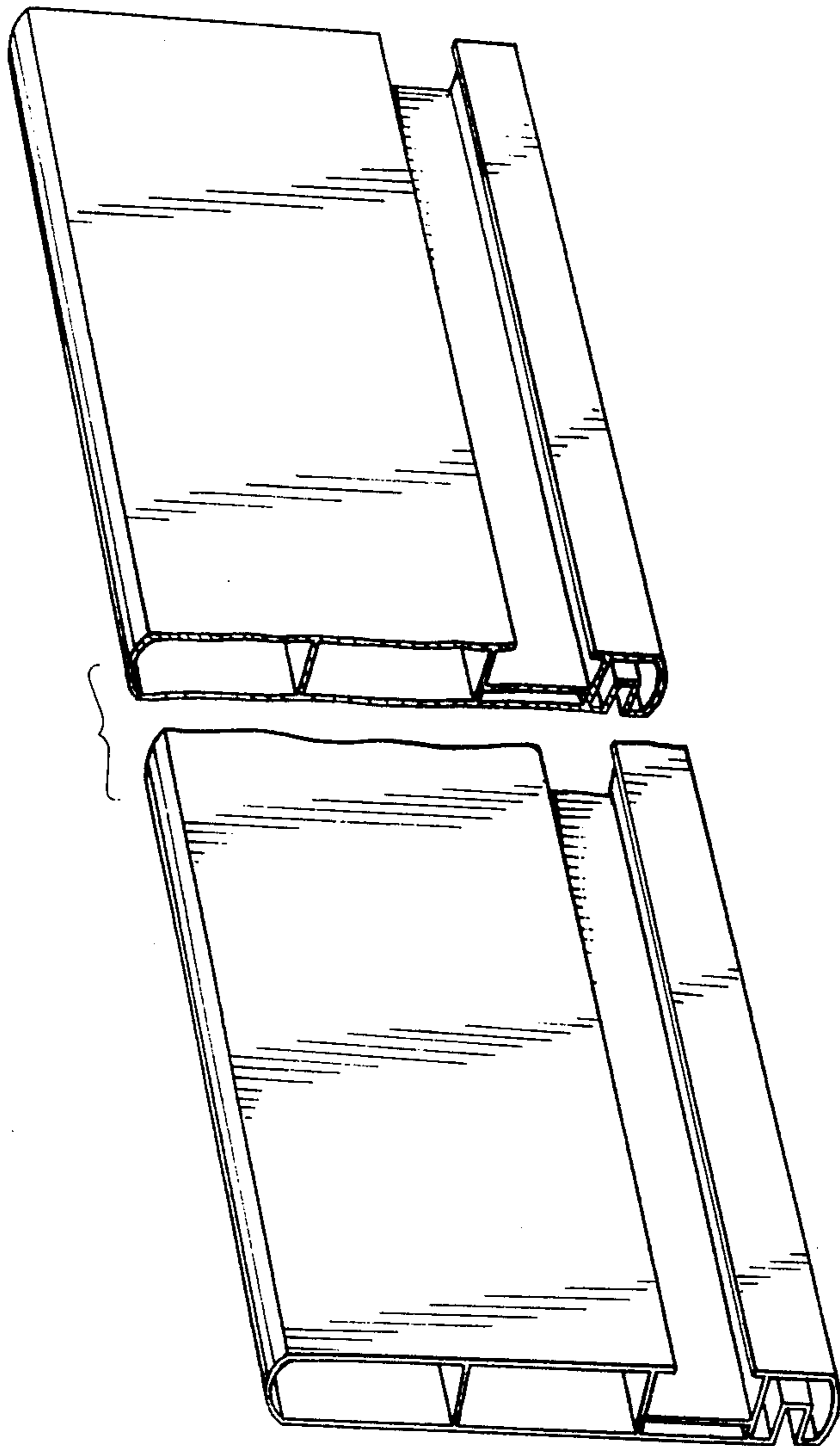


FIG. 1