

[54] FURNITURE FRAME OR SIMILAR ARTICLE

[76] Inventor: Robert J. Marks, 9350 SW. 106th St., Miami, Fla. 33157

[\*\*] Term: 14 Years

[21] Appl. No.: 823,965

[22] Filed: Aug. 12, 1977

[51] Int. Cl. .... D6-06

[52] U.S. Cl. .... D6/191

[58] Field of Search ..... D6/37-39, D6/47-78, 191, 196

[56] References Cited

U.S. PATENT DOCUMENTS

- D. 181,771 12/1957 Wilson ..... D6/63
- D. 243,427 2/1977 Watts ..... D6/191

- D. 244,070 4/1977 Marks ..... D6/63
- D. 244,078 4/1977 Marks ..... D6/191
- D. 248,997 8/1978 Peed ..... D6/63
- D. 249,315 9/1978 Daae-Quale ..... D6/191
- 3,743,351 7/1973 Harris ..... D6/63 X

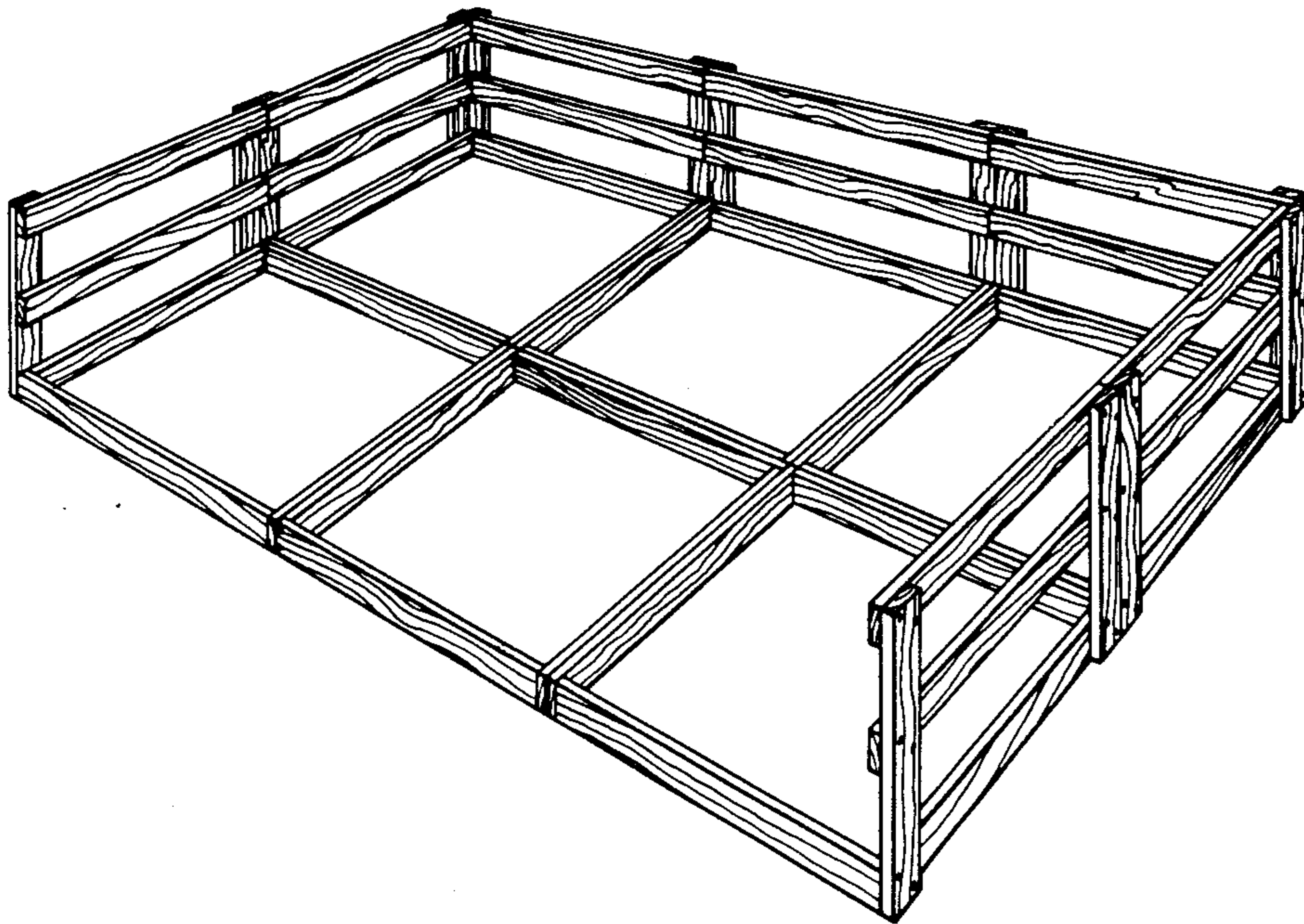
Primary Examiner—Bruce W. Dunkins  
Attorney, Agent, or Firm—B. J. Powell

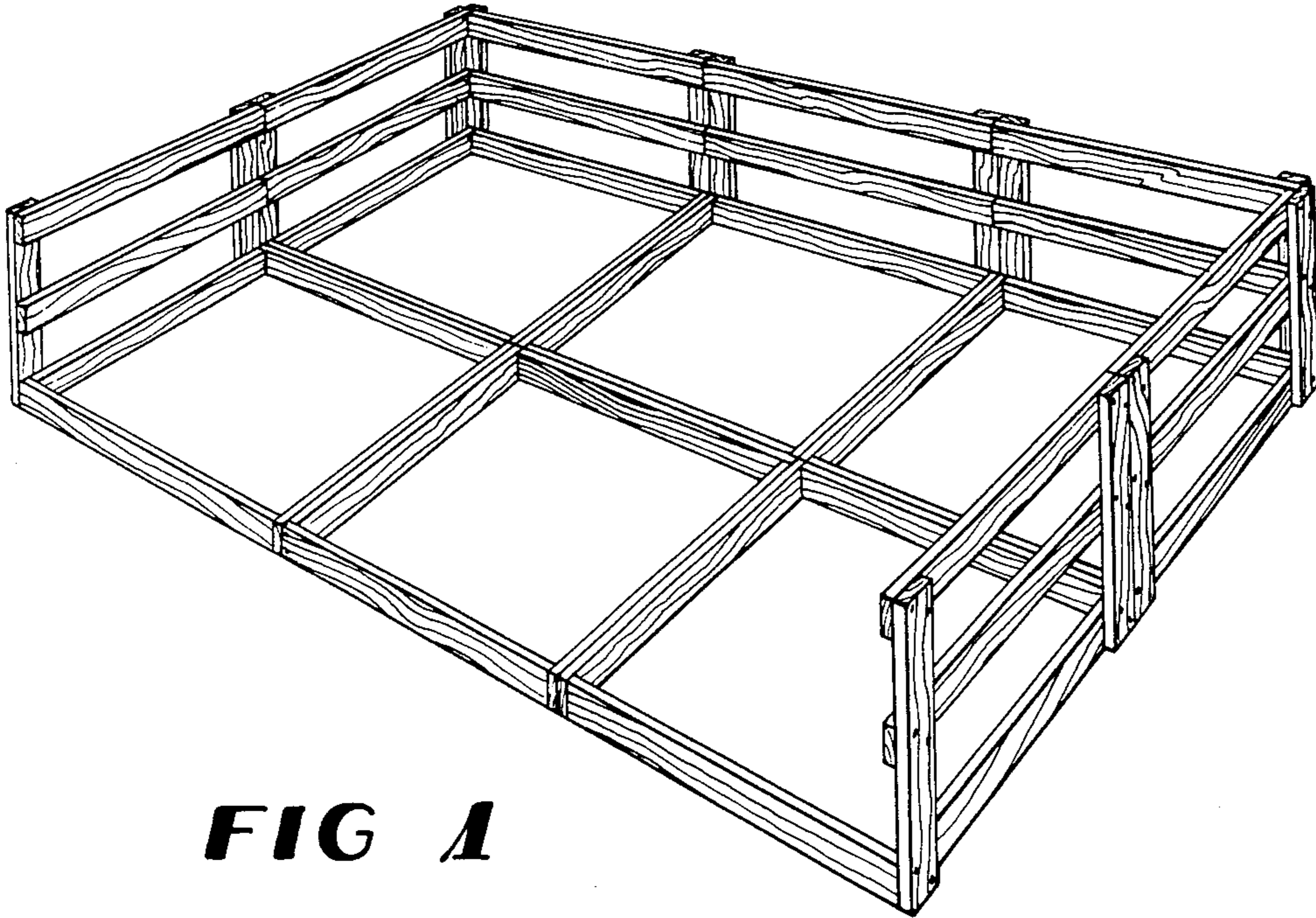
[57] CLAIM

The ornamental design for a furniture frame or similar article, substantially as shown and described.

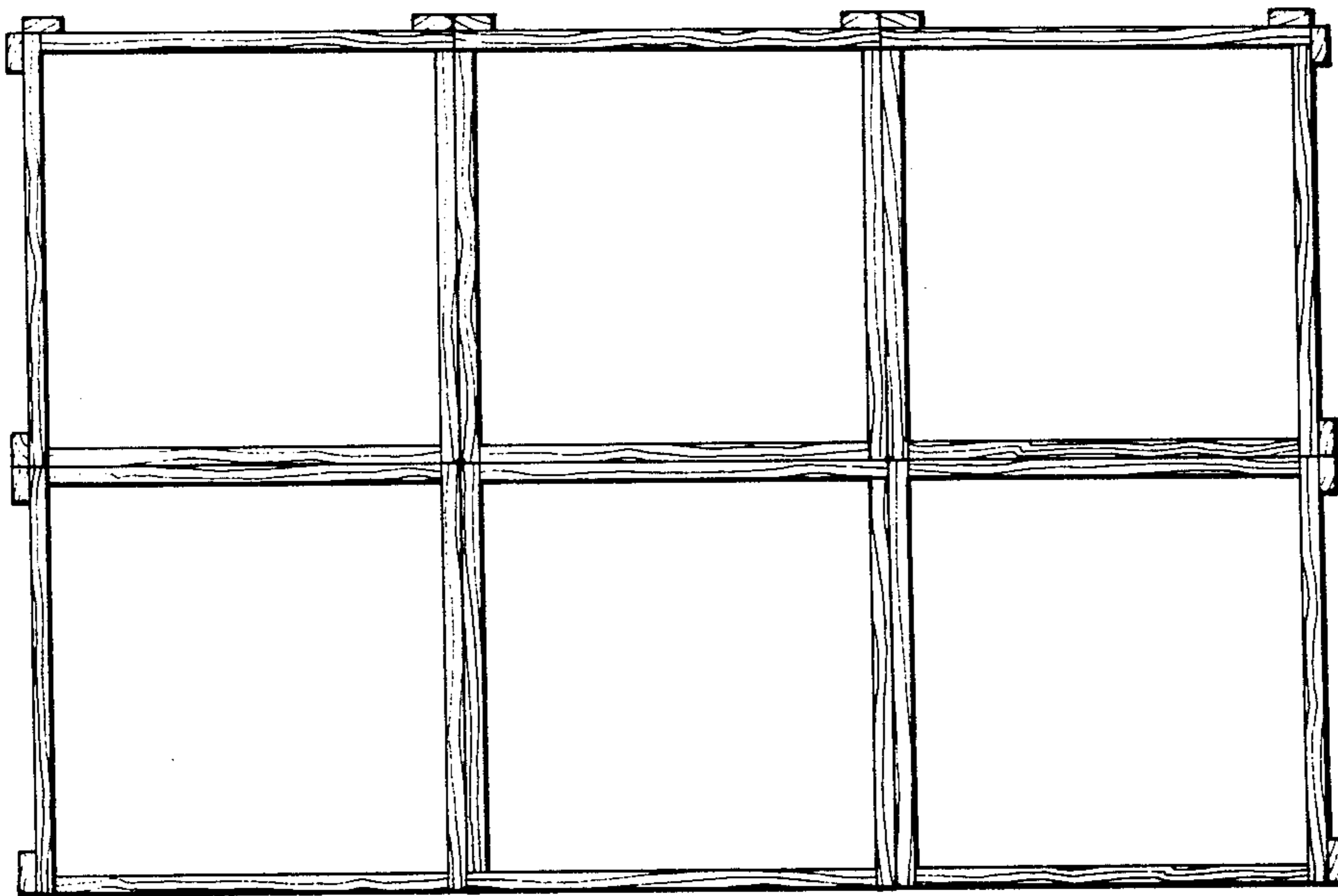
DESCRIPTION

FIG. 1 is a front perspective view of a furniture frame or similar article showing my design; FIG. 2 is a top plan view; FIG. 3 is a front elevational view; FIG. 4 is a rear elevational view; and FIG. 5 is a left end elevational view, the right end being a mirror image thereof.

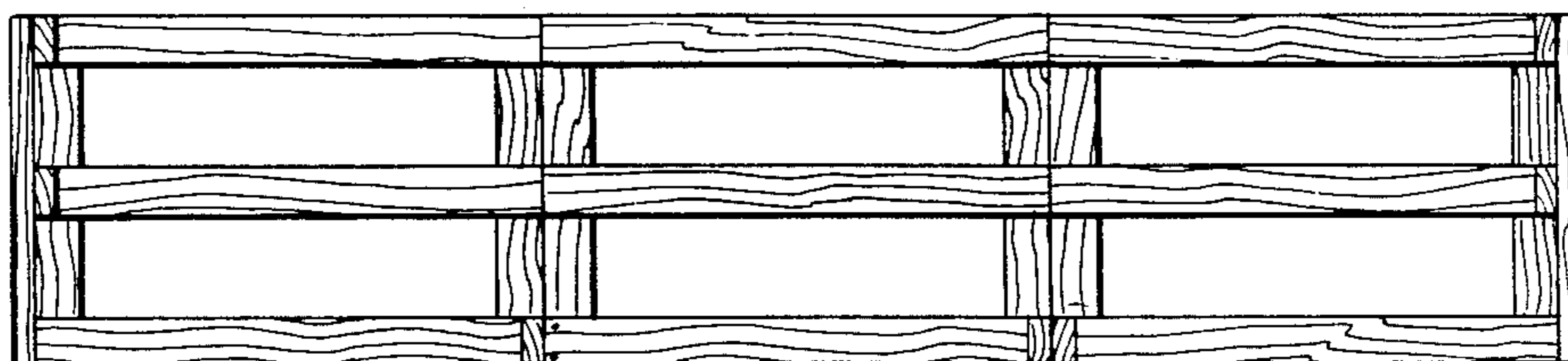




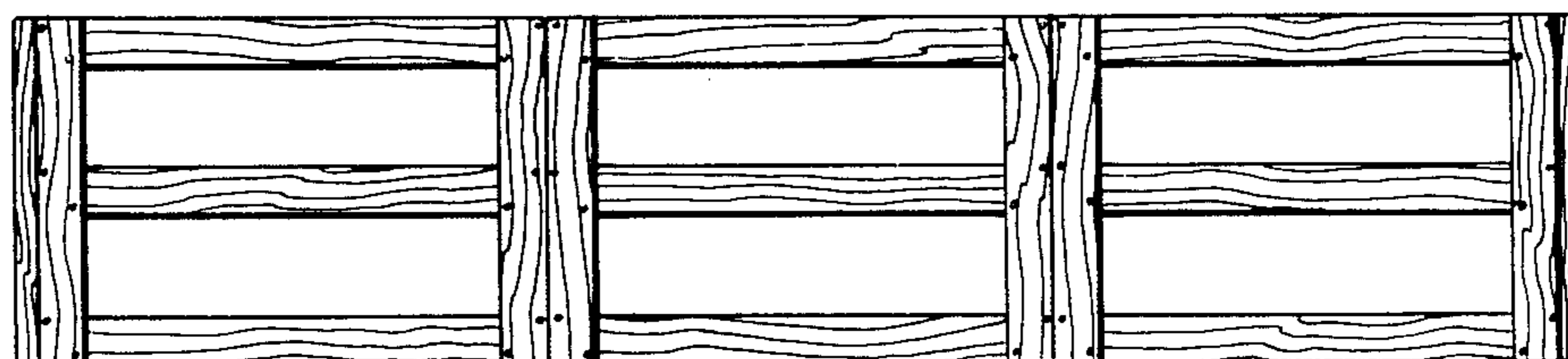
**FIG 1**



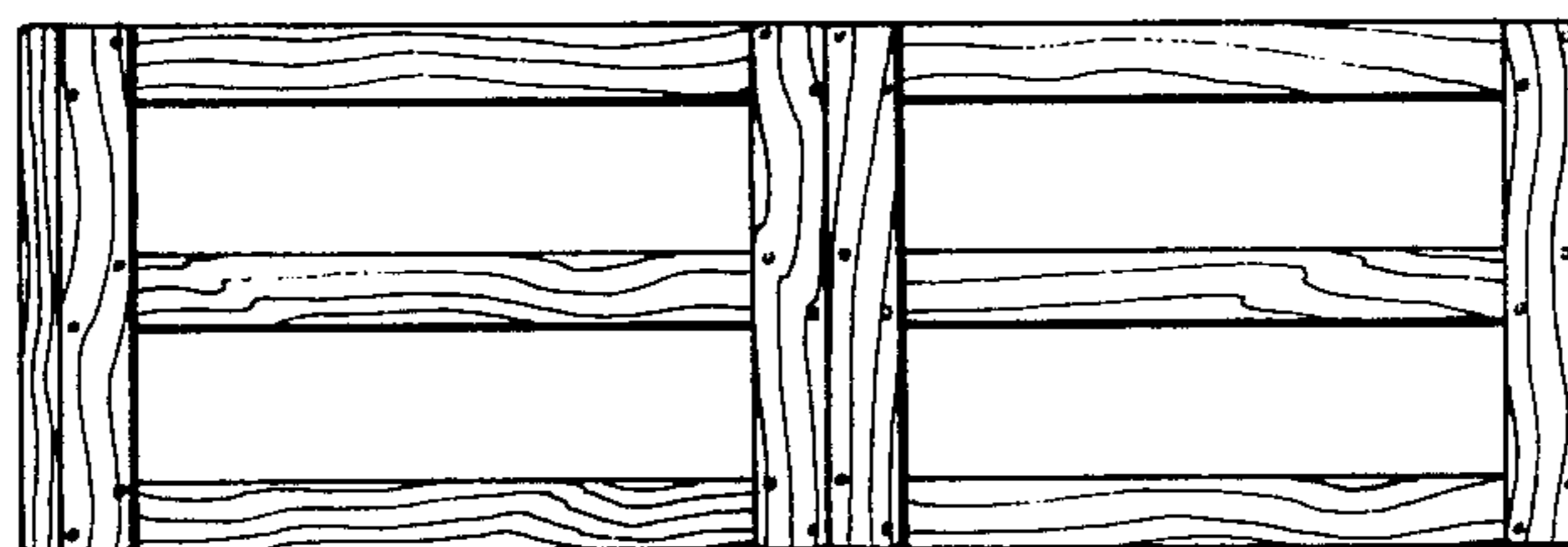
**FIG 2**



**FIG 3**



**FIG 4**



**FIG 5**