

[54] SOAP DISH

[75] Inventor: Harry Thomasson, Pårarp, Sweden

[73] Assignee: Osmos Plast AB, Helsingborg, Sweden

[**] Term: 14 Years

[21] Appl. No.: 959,111

[22] Filed: Nov. 3, 1978

[30] Foreign Application Priority Data

Aug. 15, 1978 [SE] Sweden 781872

[51] Int. Cl. D23-02

[52] U.S. Cl. D6/90

[58] Field of Search D6/86-94, D6/96-103, 114, 132, 136; 206/77.1; 211/87, 88; 108/29-31, 42, 152; 248/206 R

[56] References Cited

U.S. PATENT DOCUMENTS

D. 99,481	4/1936	Levy	D6/90
D. 128,781	8/1941	Hallenscheid	D6/90
D. 150,761	8/1948	Gardner	D6/90
2,712,709	7/1955	Pulrang	248/206 R

Primary Examiner—Wallace R. Burke
Assistant Examiner—B. J. Bullock
Attorney, Agent, or Firm—Beveridge, DeGrandi, Kline & Lunsford

[57] CLAIM

The ornamental design for a soap dish, as shown and described.

DESCRIPTION

FIG. 1 is a top front perspective view of a soap dish showing my new design;
FIG. 2 is a rear bottom perspective view thereof;
FIG. 3 is a sectional view taken in the direction of the arrows on lines 3-3 of FIG. 1.

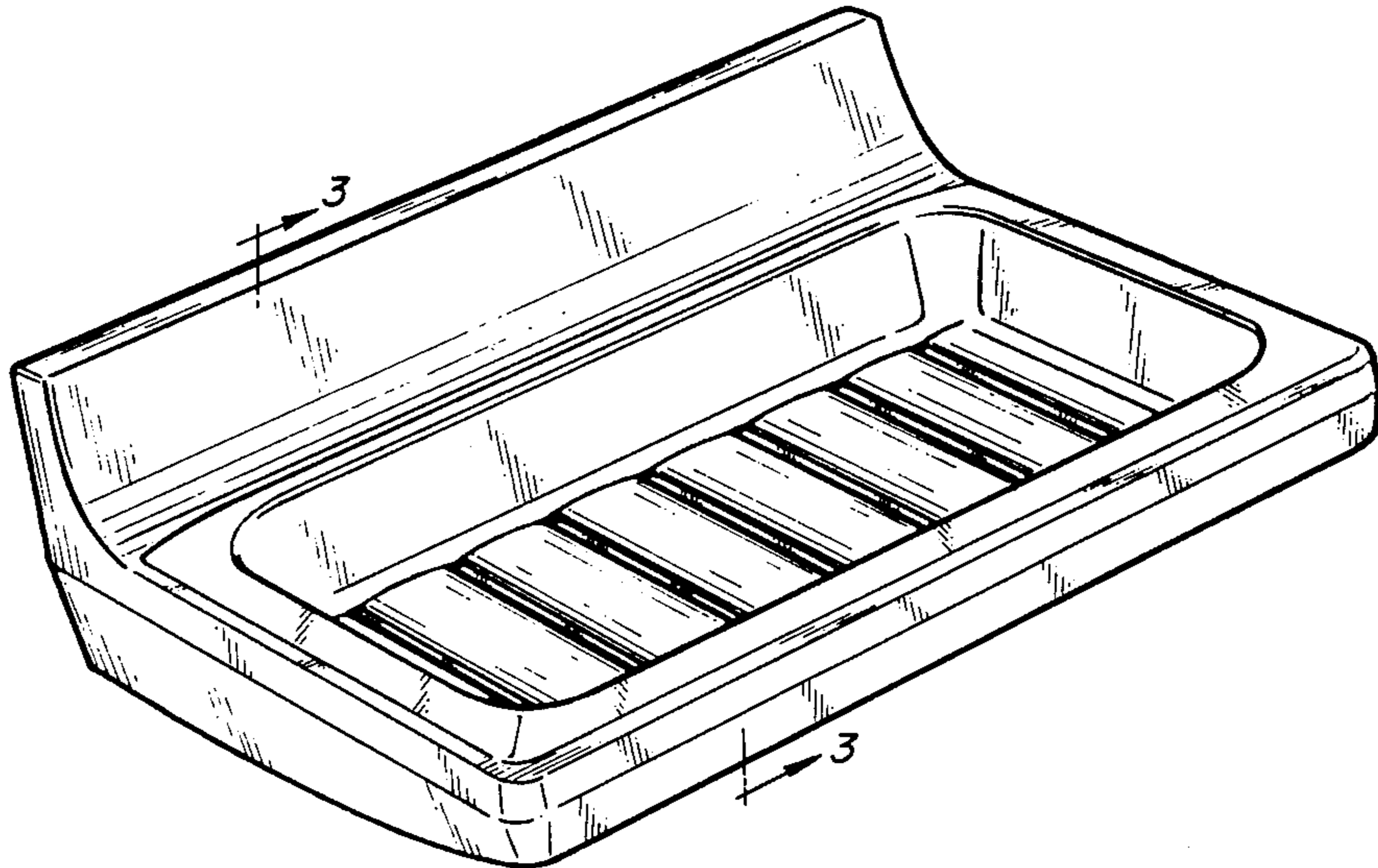


FIG. 1

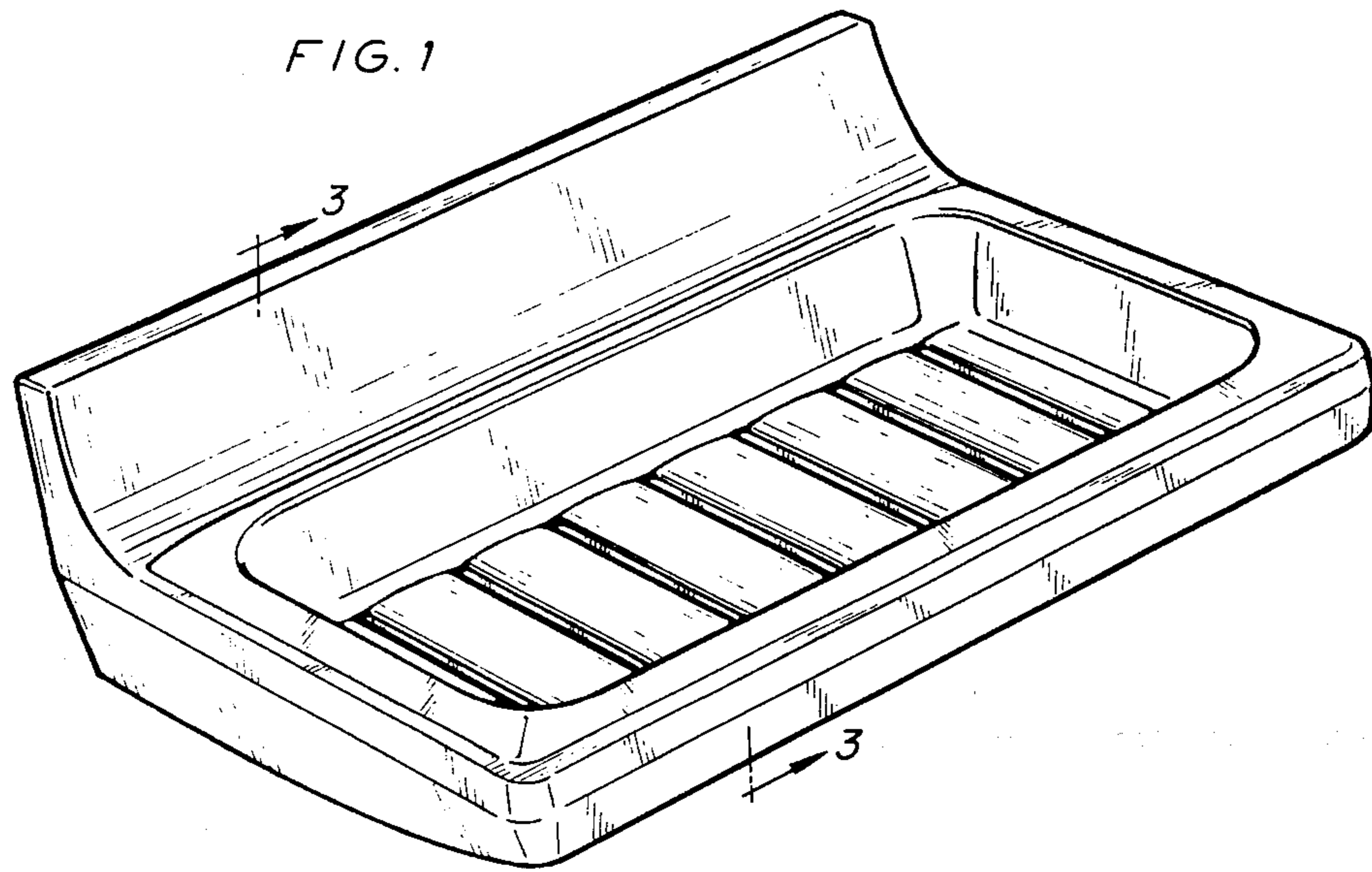


FIG. 2

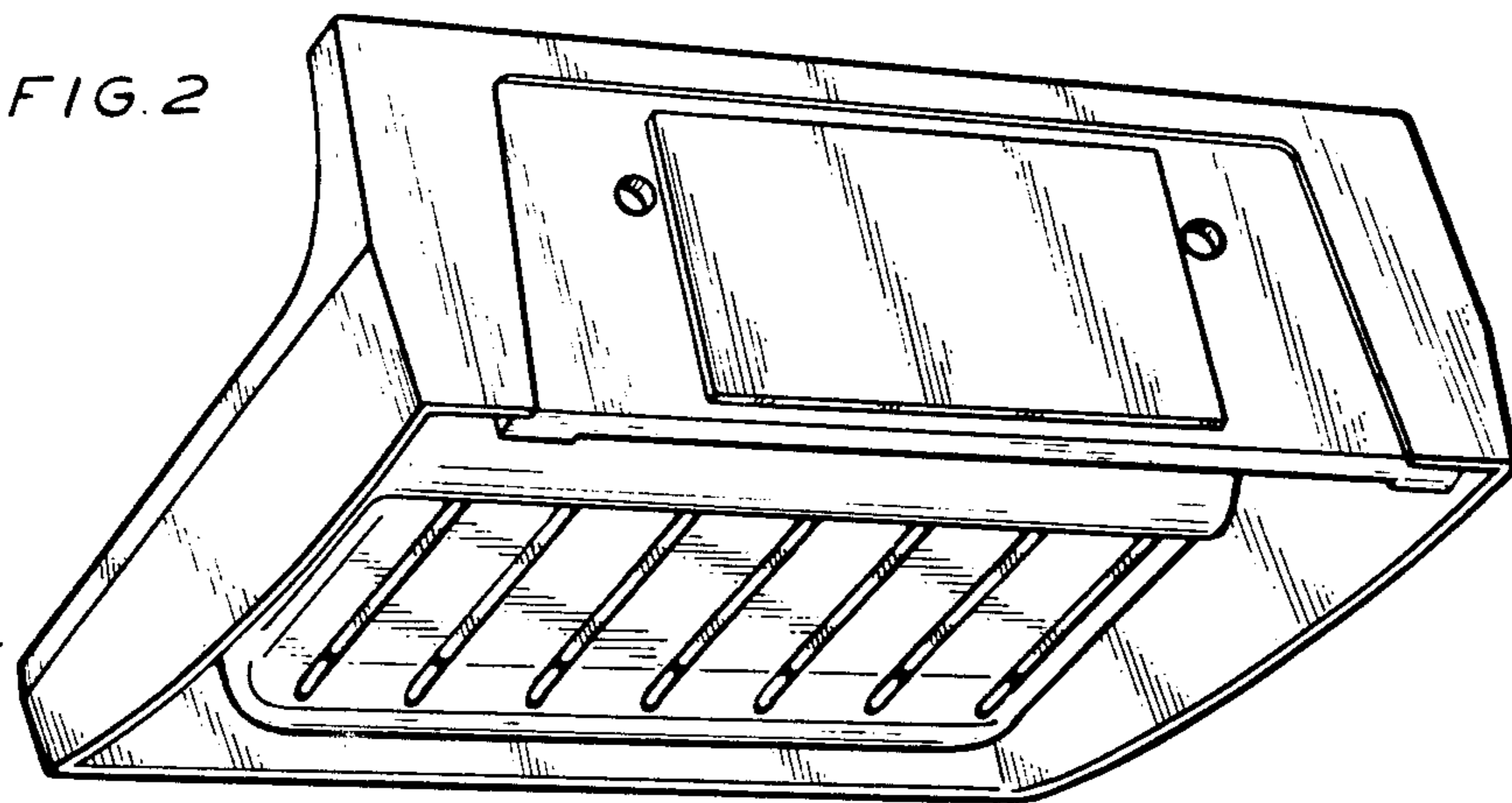


FIG. 3

