

[54] SOAP BAR

[75] Inventor: Adam J. Grodin, Forest Hills, N.Y.

[73] Assignee: American Cyanamid Company, Stamford, Conn.

[\*\*] Term: 14 Years

[21] Appl. No.: 944,463

[22] Filed: Sep. 21, 1978

[51] Int. Cl. .... D28-02

[52] U.S. Cl. .... D28/8.1

[58] Field of Search ..... D73/1 A; 252/90, 92, 252/134, 174, DIG. 16

[56] References Cited

U.S. PATENT DOCUMENTS

D. 163,038 4/1951 Haskell ..... D73/1 A

FOREIGN PATENT DOCUMENTS

20768 of 1897 United Kingdom ..... 252/92

OTHER PUBLICATIONS

Hecht Co. Xmas Cat. 1967; p. 10, item 10A "St. John's Bay Rum Soap".

Primary Examiner—Joel Stearman

Assistant Examiner—Carmen H. Vales

Attorney, Agent, or Firm—Charles J. Fickey

[57] CLAIM

The ornamental design for a soap bar, substantially as shown and described.

DESCRIPTION

FIG. 1 is a top plan view of a soap bar showing my new design;

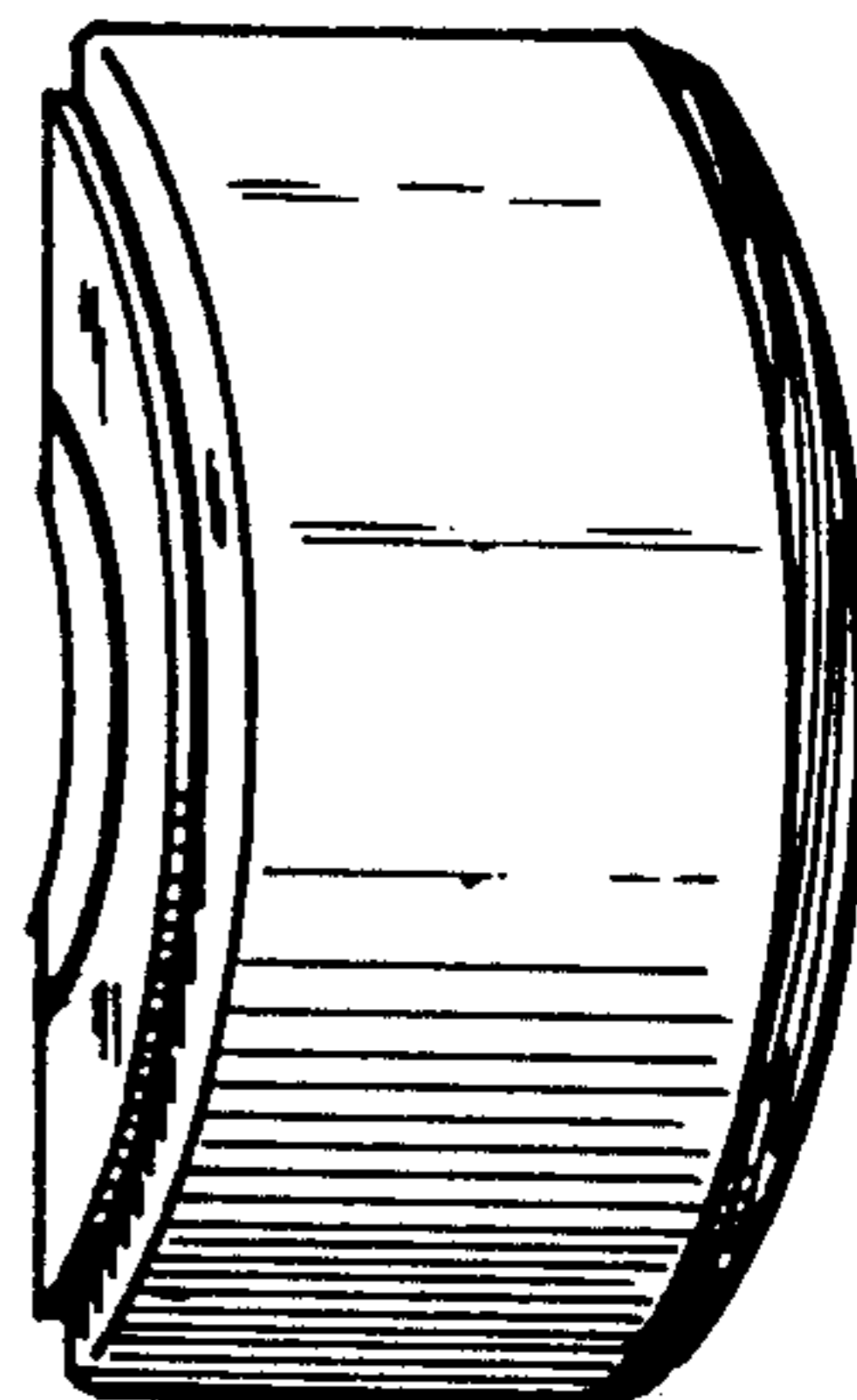
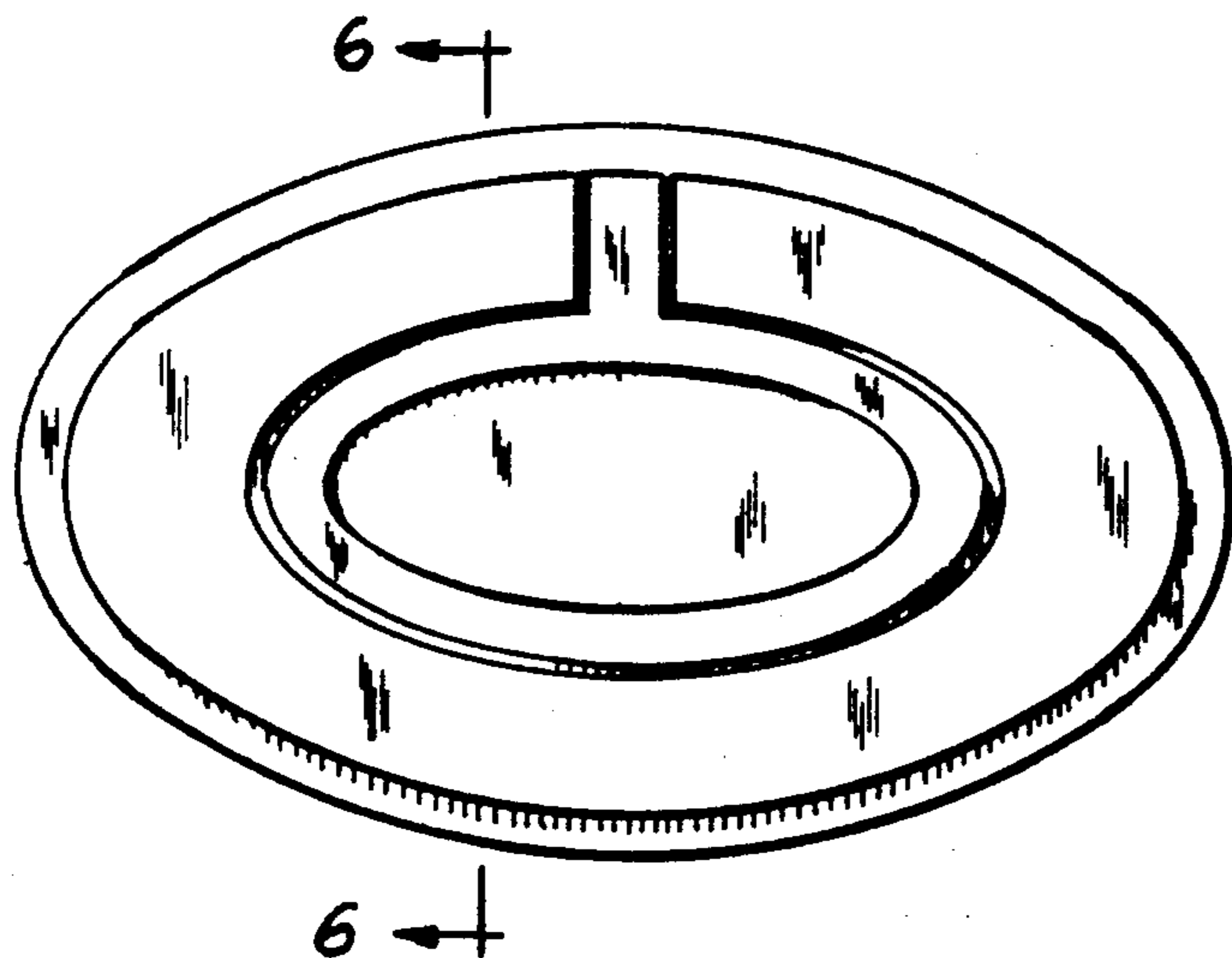
FIG. 2 is an elevational view looking from the right side of FIG. 1, the opposite side being substantially the same in appearance;

FIG. 3 is a front elevational view thereof;

FIG. 4 is a rear elevational view thereof;

FIG. 5 is a bottom plan view thereof; and

FIG. 6 is a cross-sectional view thereof taken along the lines 6-6 of FIG. 1.



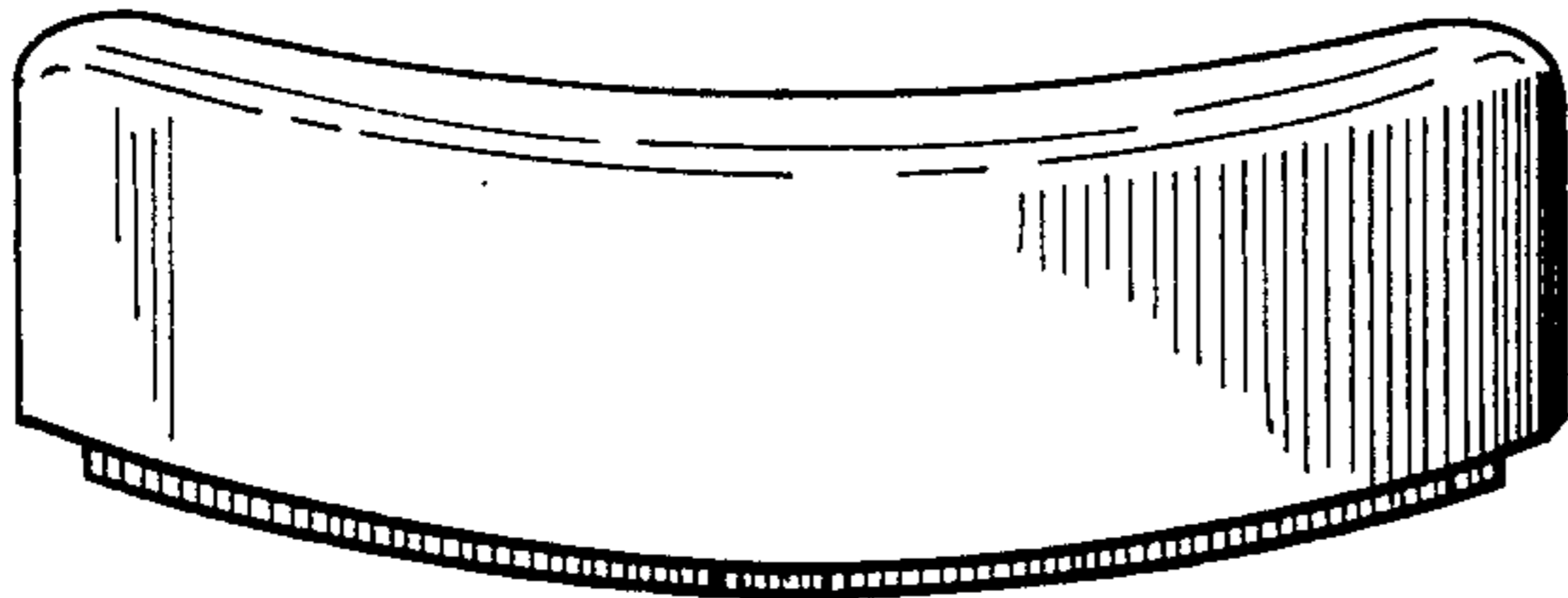


Fig. 4

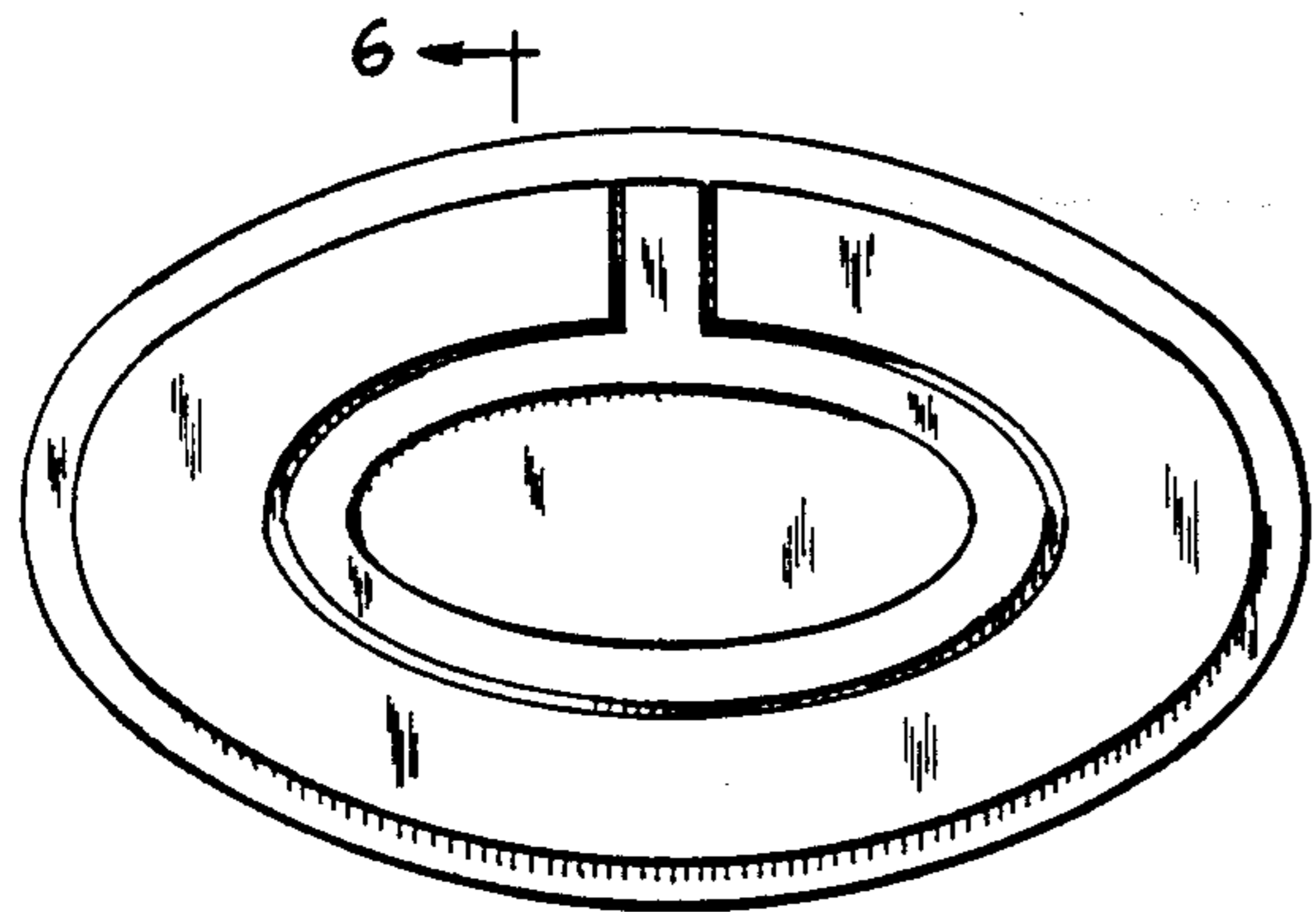


Fig. 1

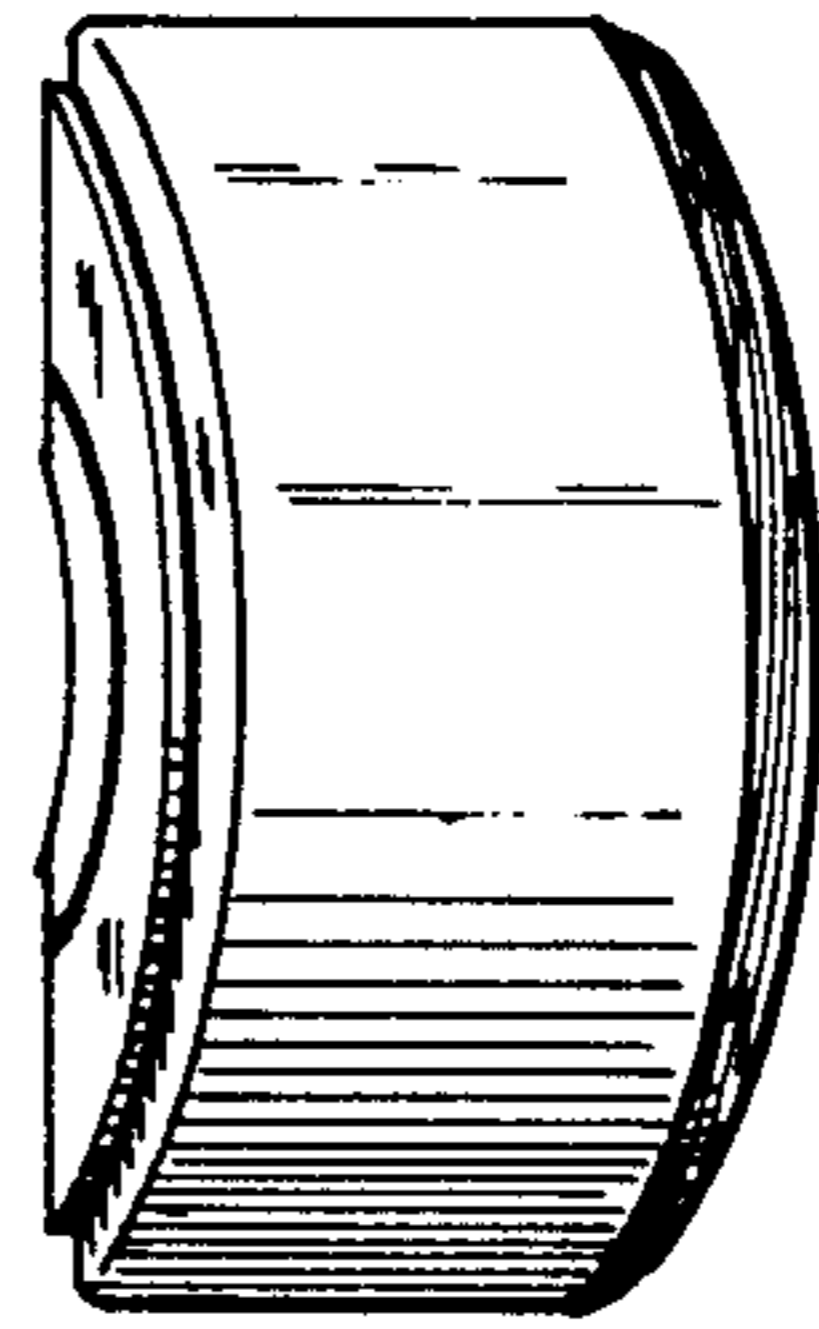


Fig. 2

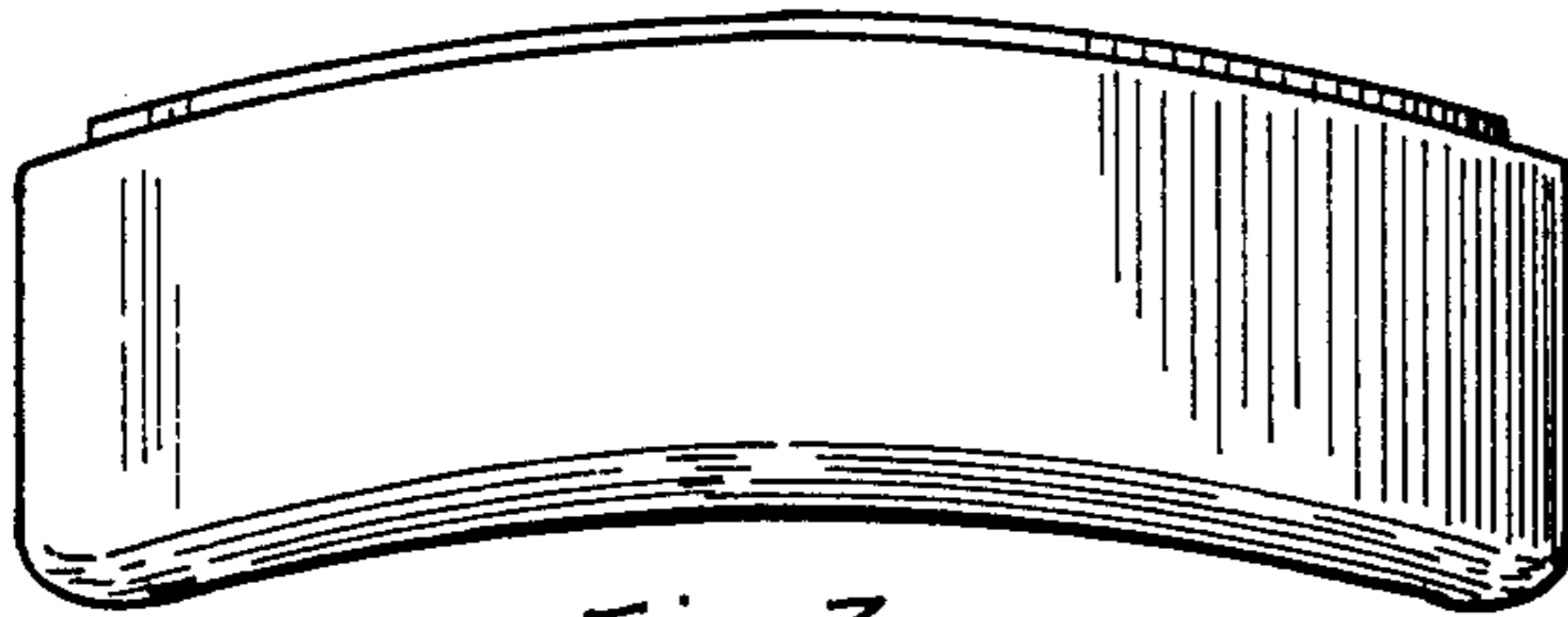


Fig. 3

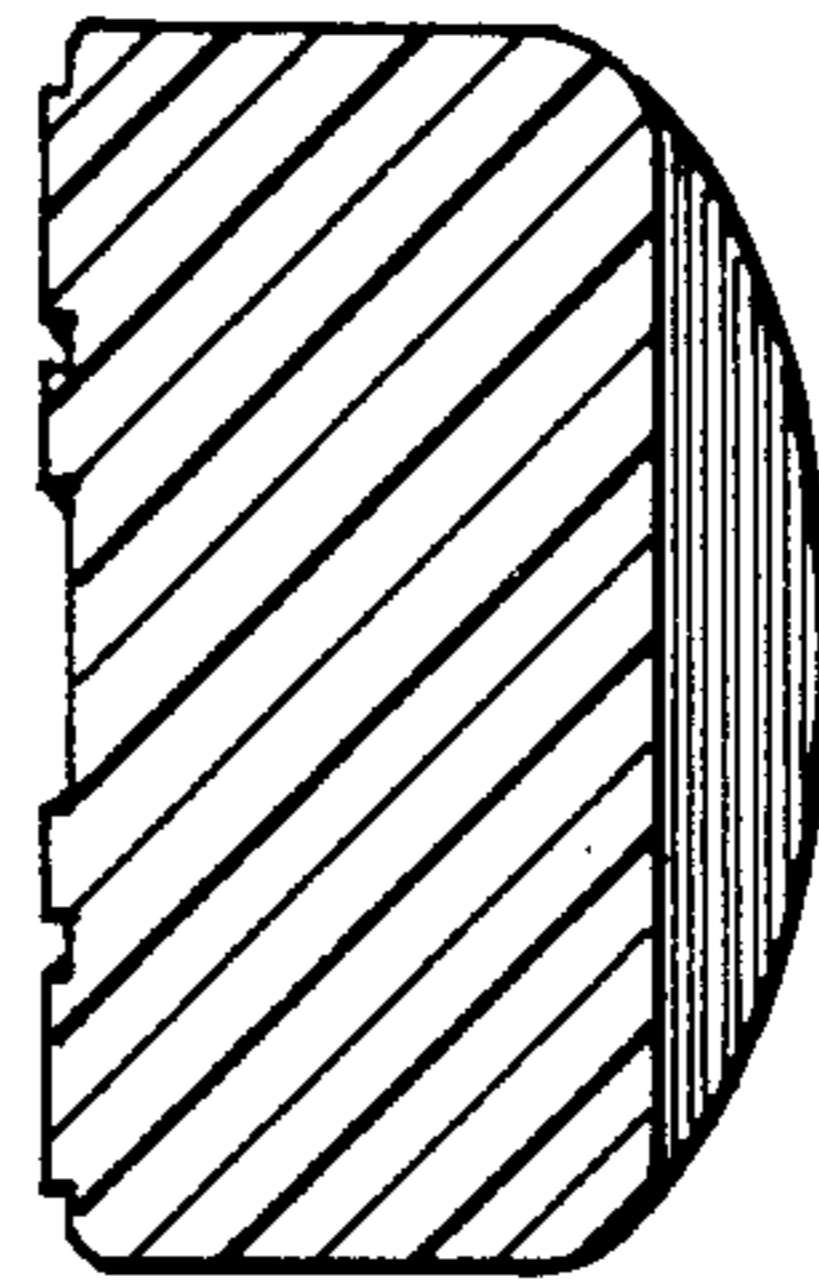


Fig. 6

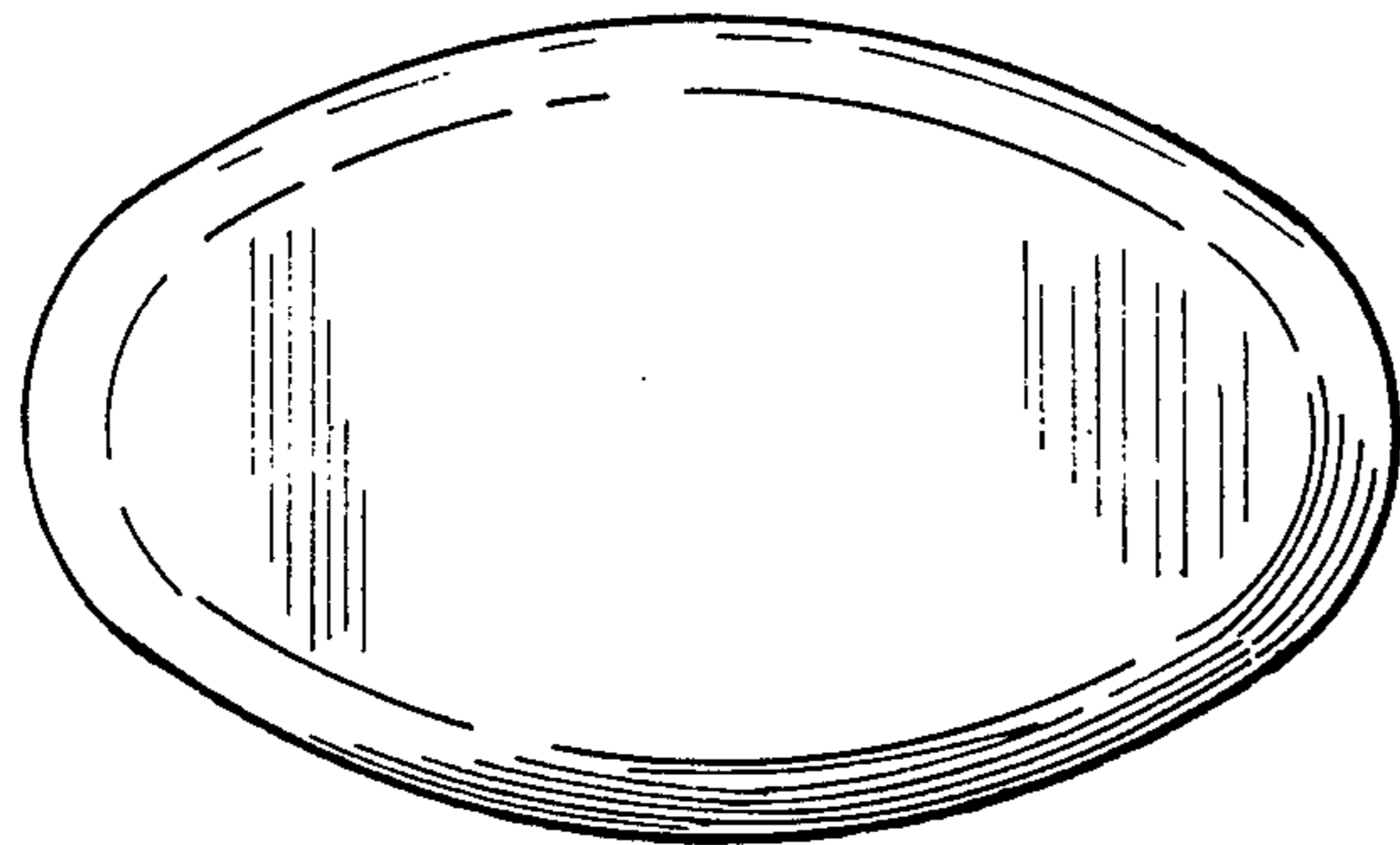


Fig. 5