

[54] FOAL FEEDER

1,755,337 4/1930 Schettl 119/61

[76] Inventor: Donald M. Kitterman, 4100
Riverside, Kansas City, Mo. 64150

Primary Examiner—James R. Largen
Attorney, Agent, or Firm—Claude A. Fishburn

[**] Term: 14 Years

[57] CLAIM

[21] Appl. No.: 914,848

The ornamental design for a foal feeder, as shown and described.

[22] Filed: Jun. 12, 1978

DESCRIPTION

[51] Int. Cl. D30—03

FIG. 1 is a perspective view of a foal feeder embodying my design.

[52] U.S. Cl. D30/13

FIG. 2 is a front elevational view thereof.

[58] Field of Search D30/13-18;

FIG. 3 is an end elevational view thereof, the opposite end being a mirror image of the end shown.

119/59-61, 68, 69

FIG. 4 is a top view thereof.

[56] References Cited

U.S. PATENT DOCUMENTS

1,102,371 7/1914 Warren 119/61

FIG. 5 is a fragmentary cross sectional view taken on the line 5—5, of FIG. 4.

1,160,498 11/1914 Eilers 119/61

FIG. 6 is a fragmentary cross sectional view taken on the line 6—6, of FIG. 4.

1,441,886 1/1923 Schepmann 119/61 X

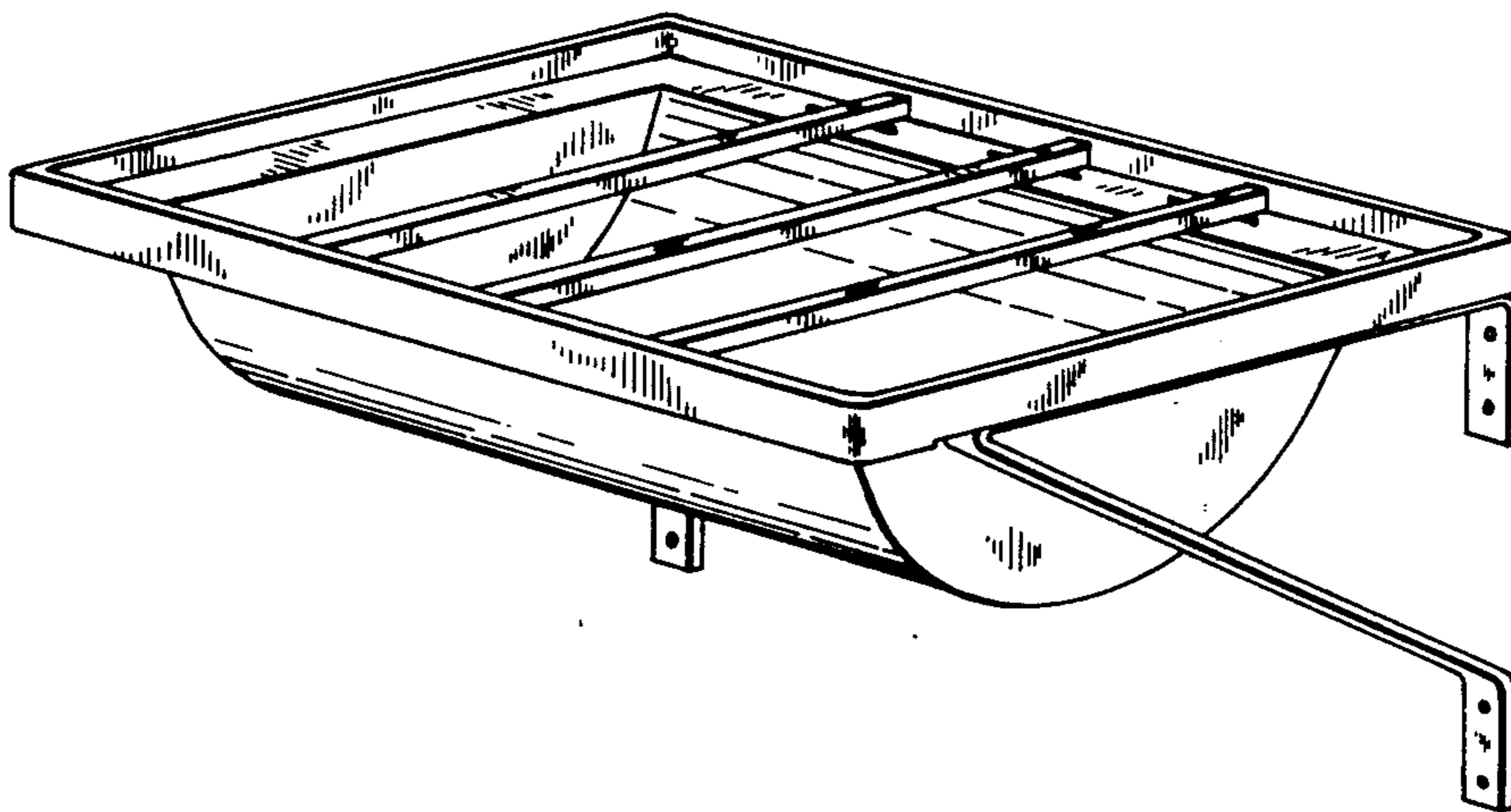


Fig. 1.

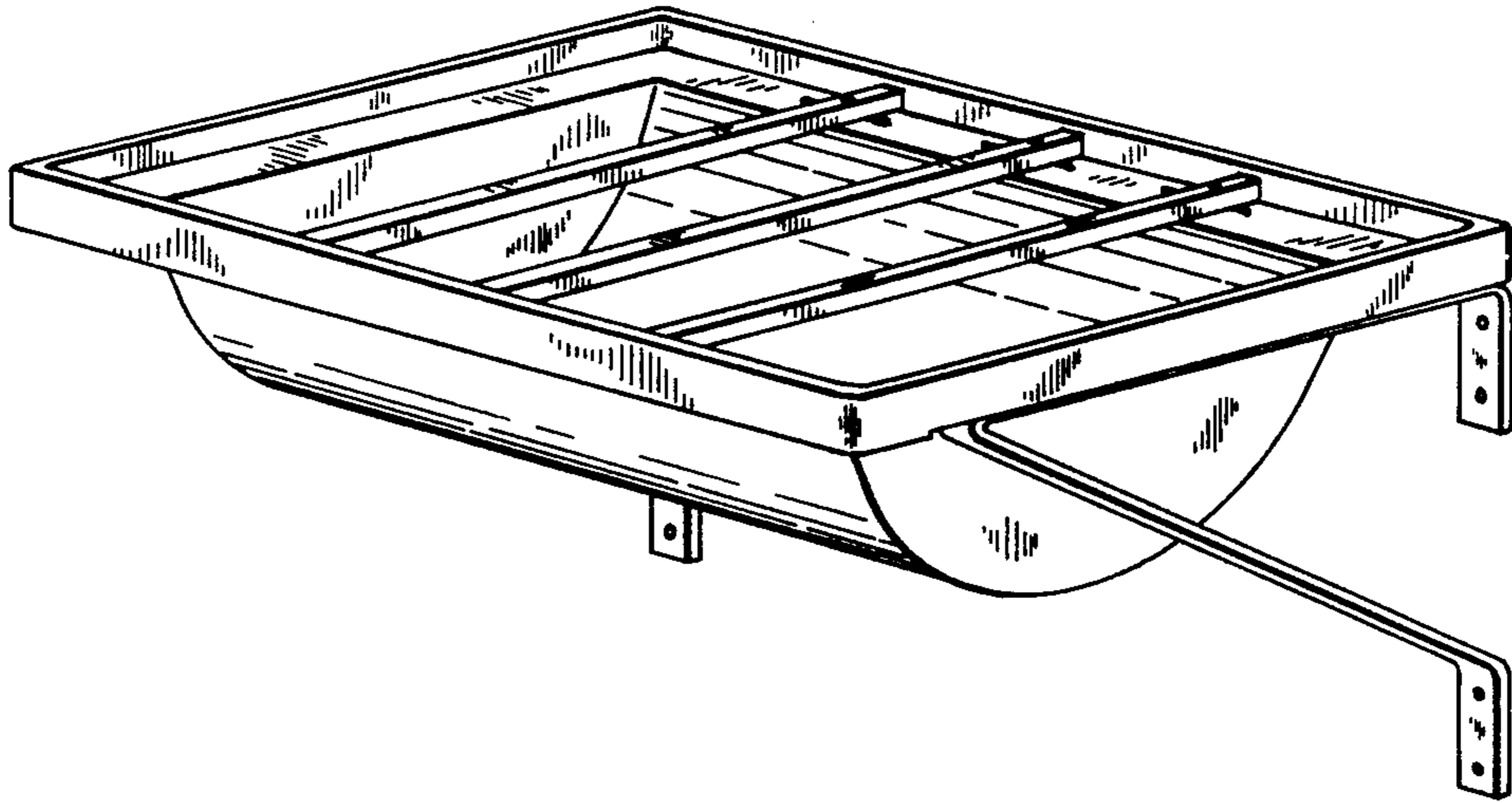


Fig. 2.

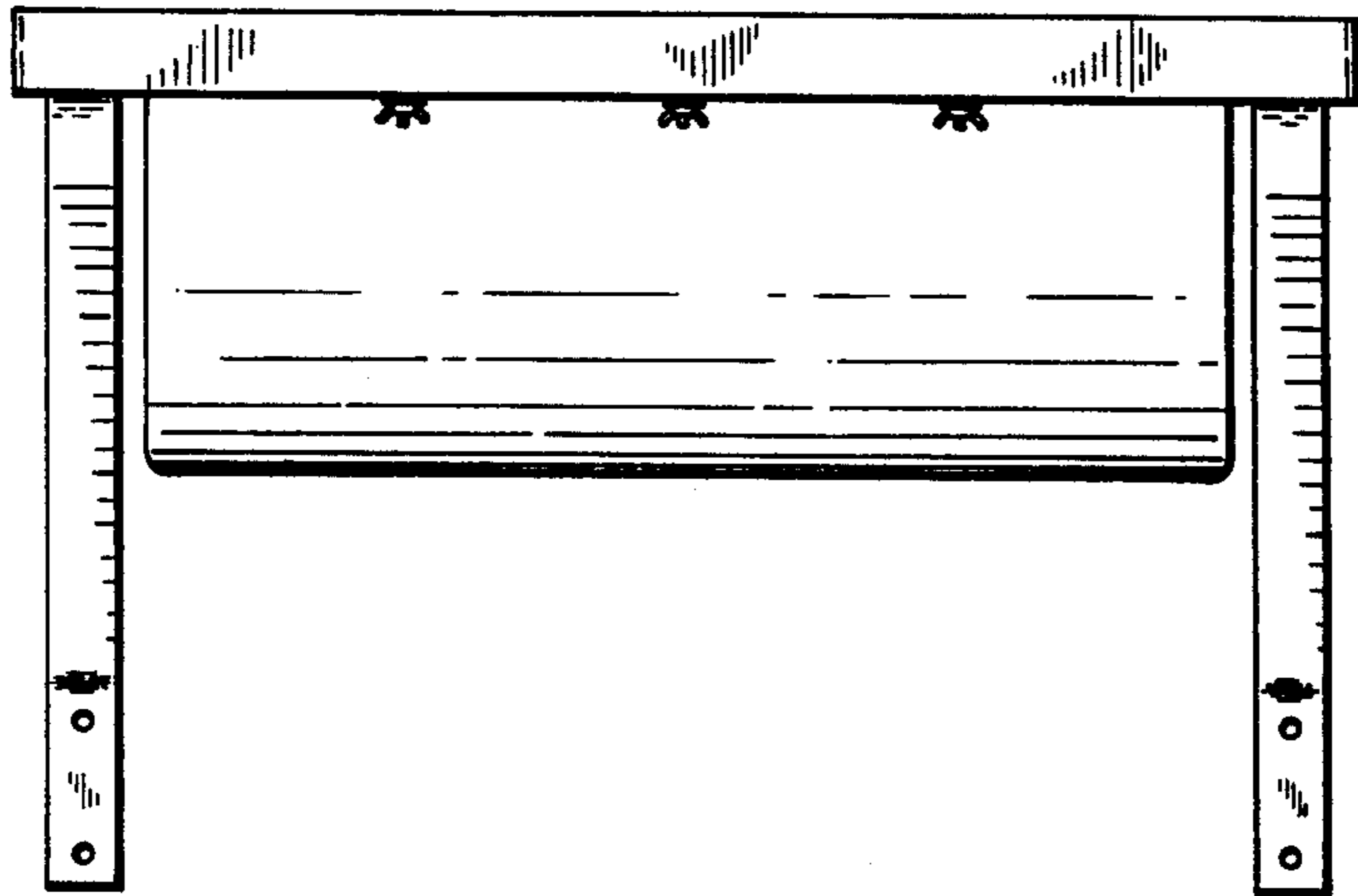


Fig. 3.

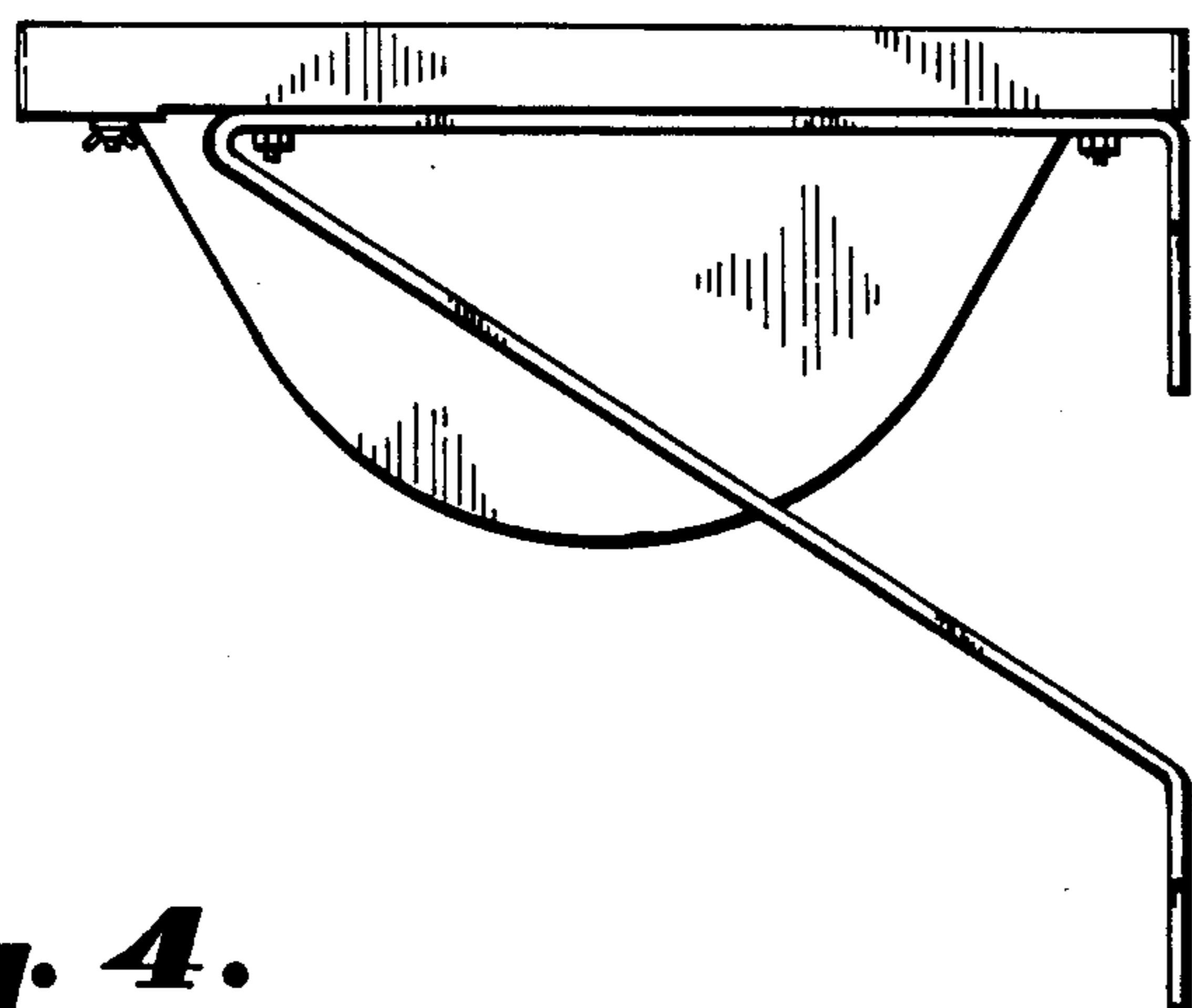


Fig. 4.

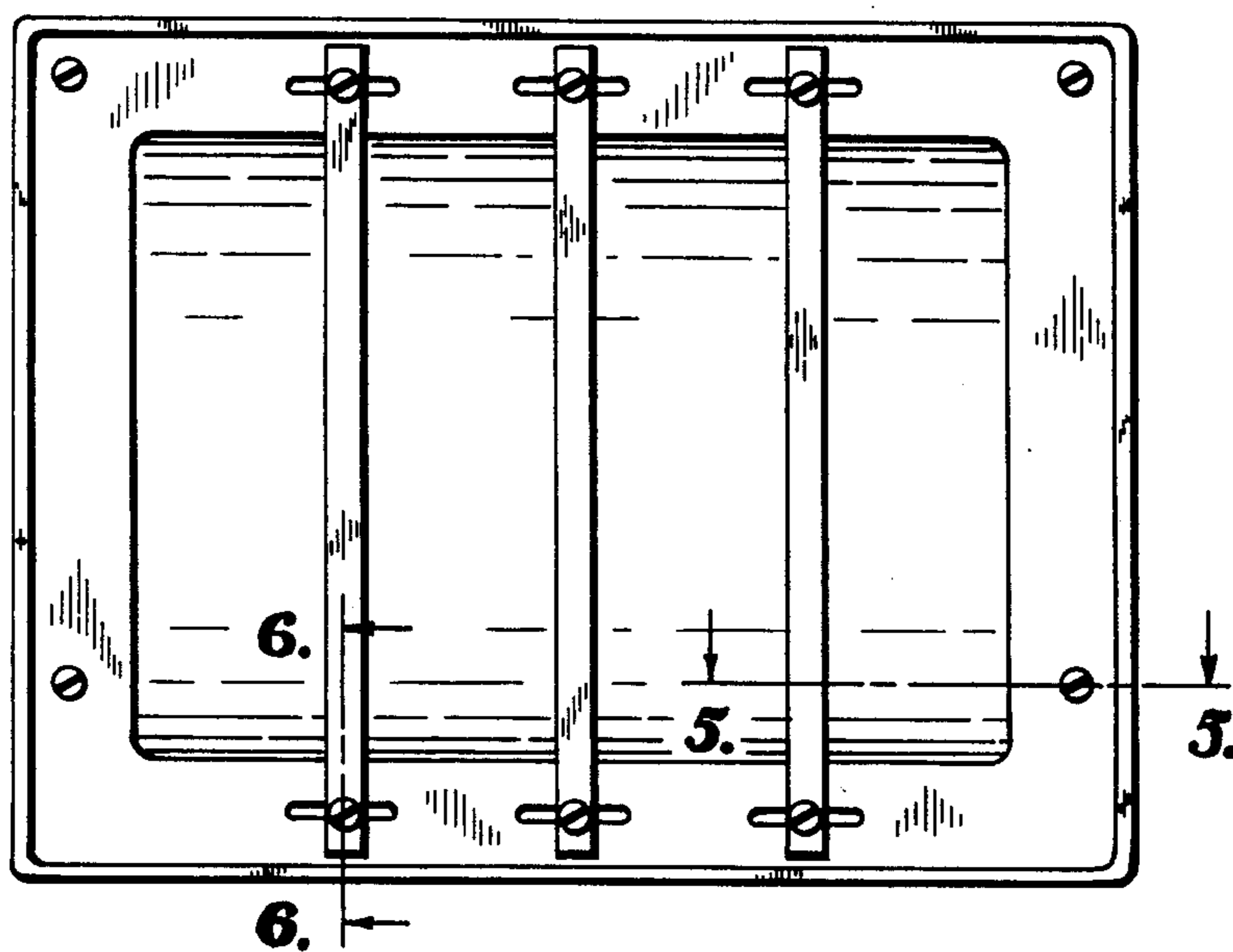


Fig. 5.

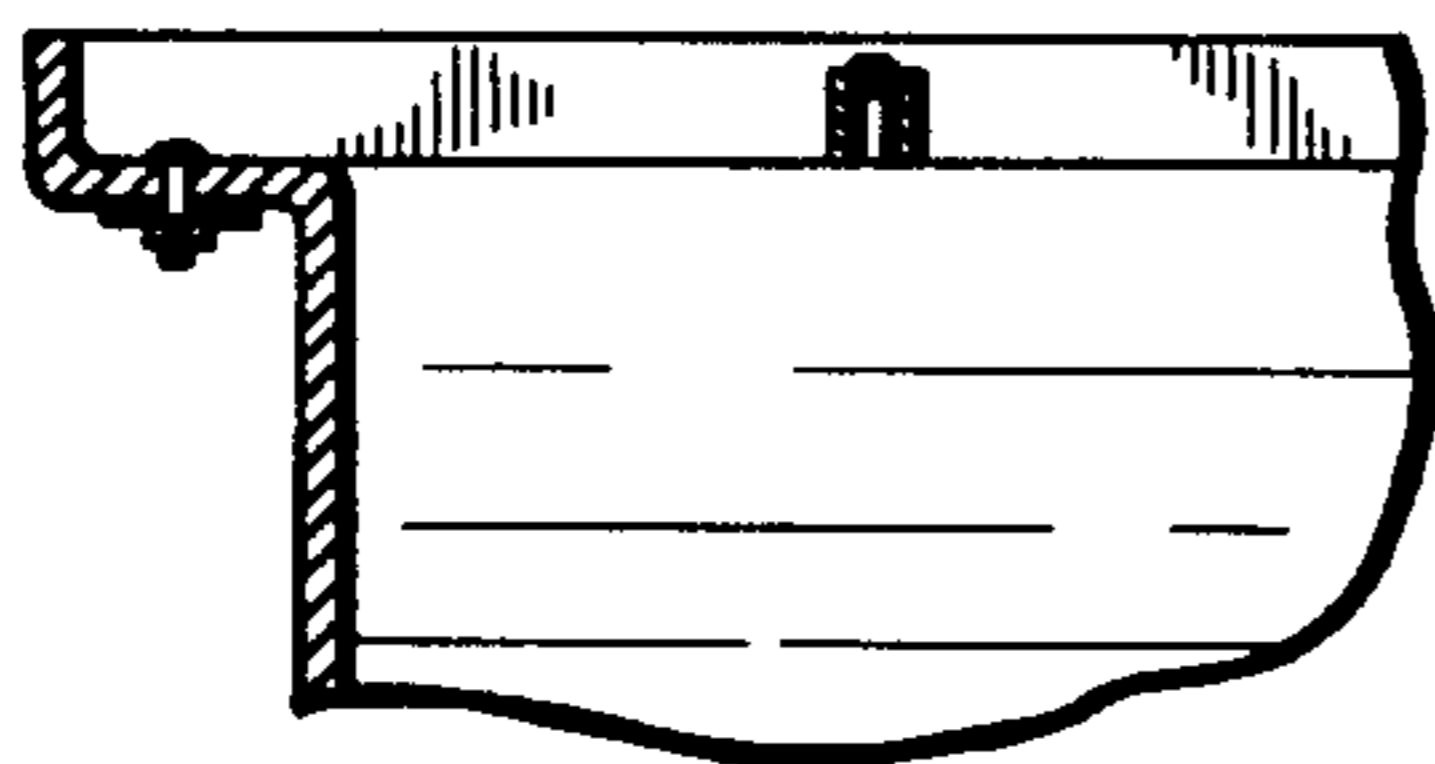


Fig. 6.

