

[54] ANIMAL SHELTER

[76] Inventor: Arthur V. Anderson, 272 S. 13th, Sharpville, Pa. 16150

[\*\*] Term: 14 Years

[21] Appl. No.: 870,264

[22] Filed: Jan. 17, 1978

[51] Int. Cl. .... D30-02

[52] U.S. Cl. .... D30/1; 119/19

[58] Field of Search ..... D30/1-5, D30/41; 119/16, 19

[56] References Cited

U.S. PATENT DOCUMENTS

D. 168,650	1/1953	McKeo	.....	D30/1
D. 189,237	11/1960	Hofeisen	.....	D30/1
D. 214,566	7/1969	Swinney	.....	D30/1
D. 220,961	6/1971	Ringelman	.....	D30/1
D. 227,126	6/1973	Brisson	.....	D30/1
D. 227,269	6/1973	Sedgwick	.....	D30/1
D. 245,190	7/1977	Higo	.....	D30/1
2,478,883	8/1949	Willis et al.	.....	119/19 X
2,520,555	8/1950	Major	.....	119/16 X
3,428,026	2/1969	Sohmers et al.	.....	119/19
3,490,417	1/1970	Swinney	.....	119/19

OTHER PUBLICATIONS

Better Homes & Gardens, Sep. 1973, p. 66, lower right item.

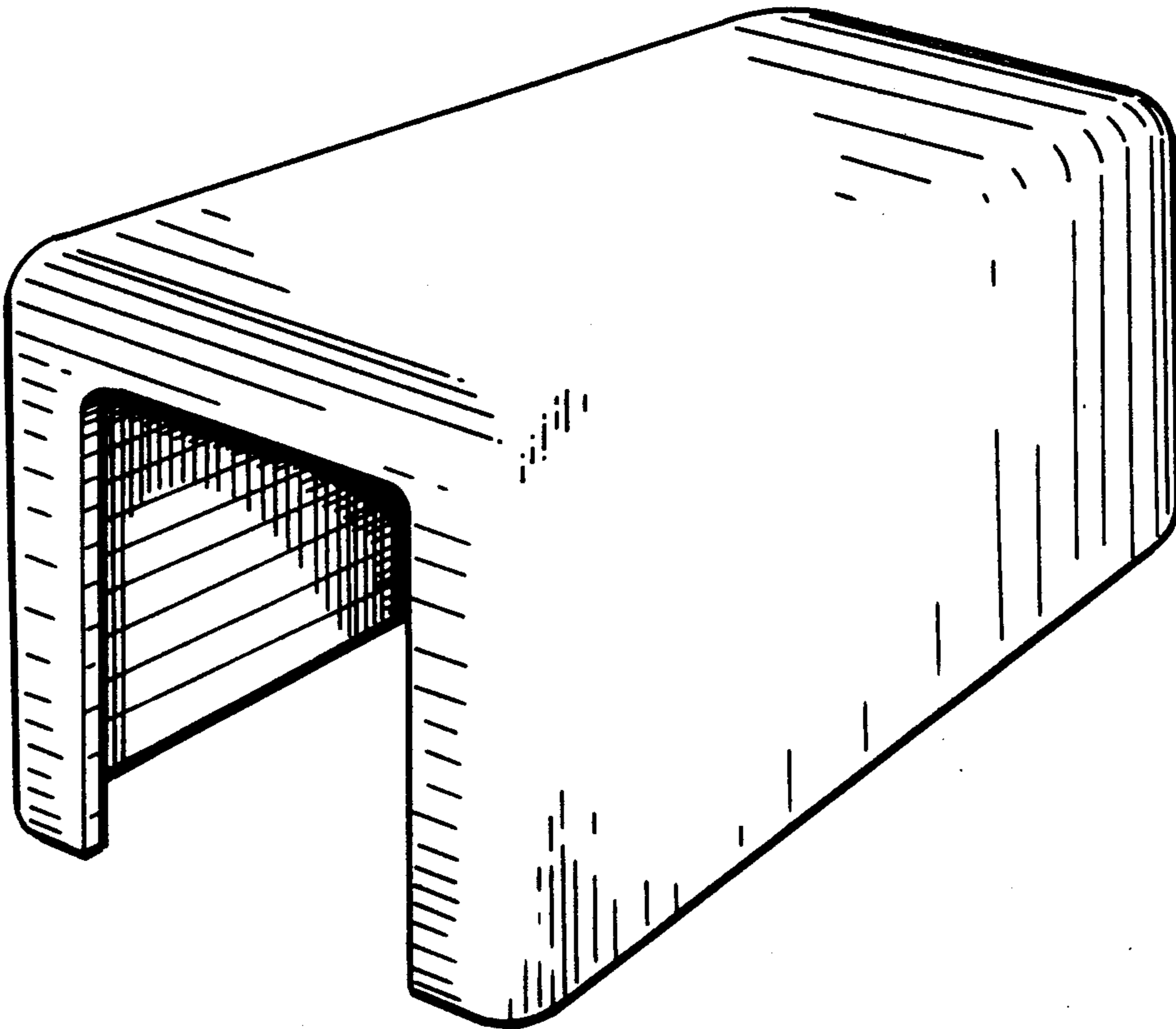
Primary Examiner—James R. Largen  
 Attorney, Agent, or Firm—Webb, Burden, Robinson & Webb

[57] CLAIM

The ornamental design in an animal shelter, substantially as shown and described.

DESCRIPTION

FIG. 1 is a perspective view of an animal shelter embodying my new design;  
 FIG. 2 is a side elevational view thereof;  
 FIG. 3 is a front elevational view thereof;  
 FIG. 4 is a rear elevational view thereof;  
 FIG. 5 is a bottom view thereof;  
 FIG. 6 is a front elevational view of a modified form of the animal shelter shown in FIG. 1;  
 FIG. 7 is a fragmentary side elevational view of FIG. 6;  
 FIG. 8 is a perspective view of a second modified form of the animal shelter shown in FIG. 1;  
 FIG. 9 is a side elevational view of FIG. 8;  
 FIG. 10 is a front elevational view of FIG. 8;  
 FIG. 11 is a rear elevational view of FIG. 8;  
 FIG. 12 is a bottom plan view of FIG. 8;  
 FIG. 13 is a front elevational view of a third modified form of the animal shelter shown in FIG. 1;  
 FIG. 14 is a fragmentary side elevational view of FIG. 13;  
 FIG. 15 is a perspective view of a fourth modified form of the animal shelter shown in FIG. 1;  
 FIG. 16 is a top plan view of FIG. 15;  
 FIG. 17 is a side elevational view of FIG. 15;  
 FIG. 18 is a front elevational view of FIG. 15;  
 FIG. 19 is a rear elevational view of FIG. 15;  
 FIG. 20 is a bottom plan view of FIG. 15;  
 FIG. 21 is a side elevational view of a fifth modified form of the animal shelter shown in FIG. 1; and  
 FIG. 22 is a front elevational view of FIG. 21.



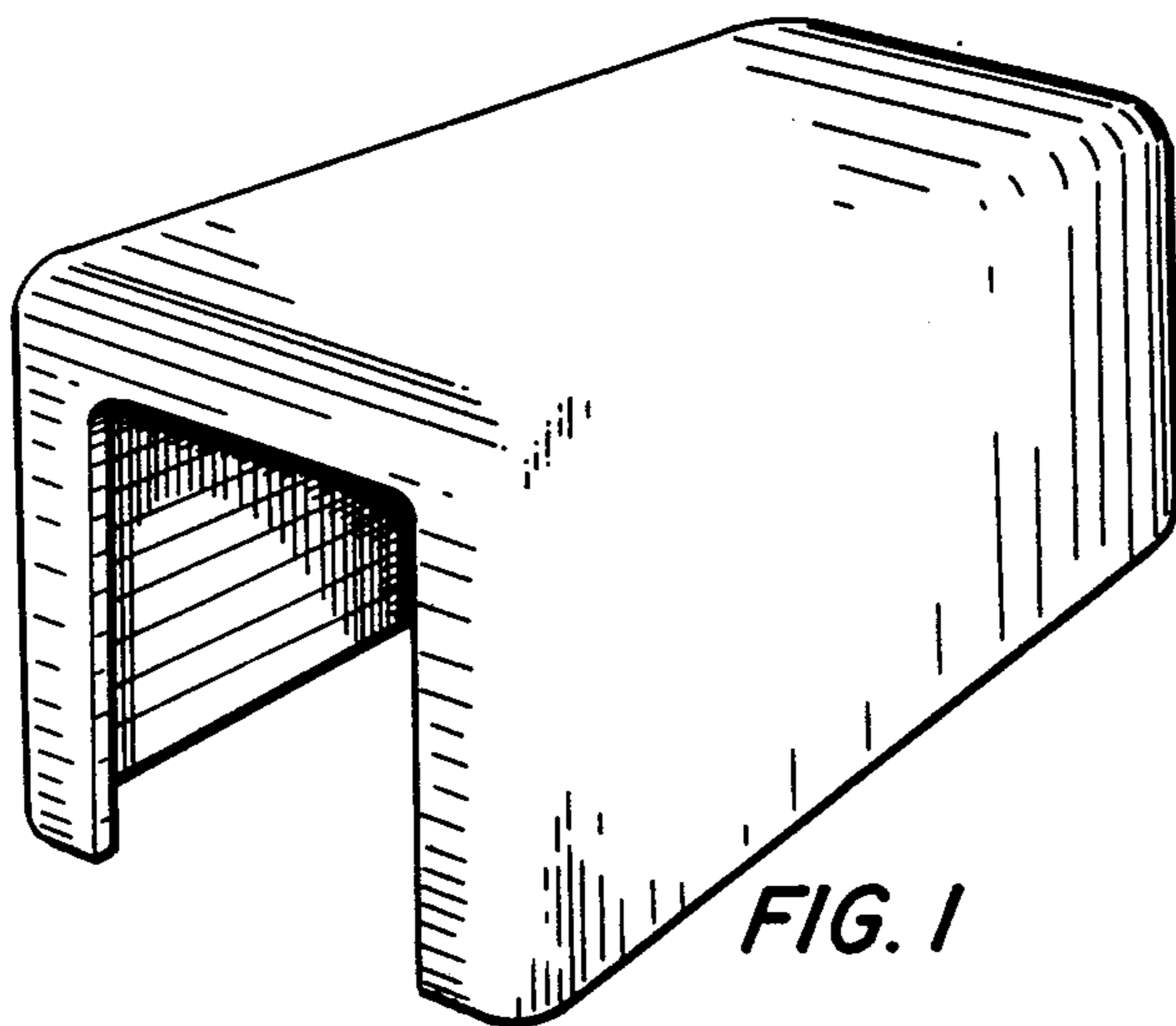


FIG. 1

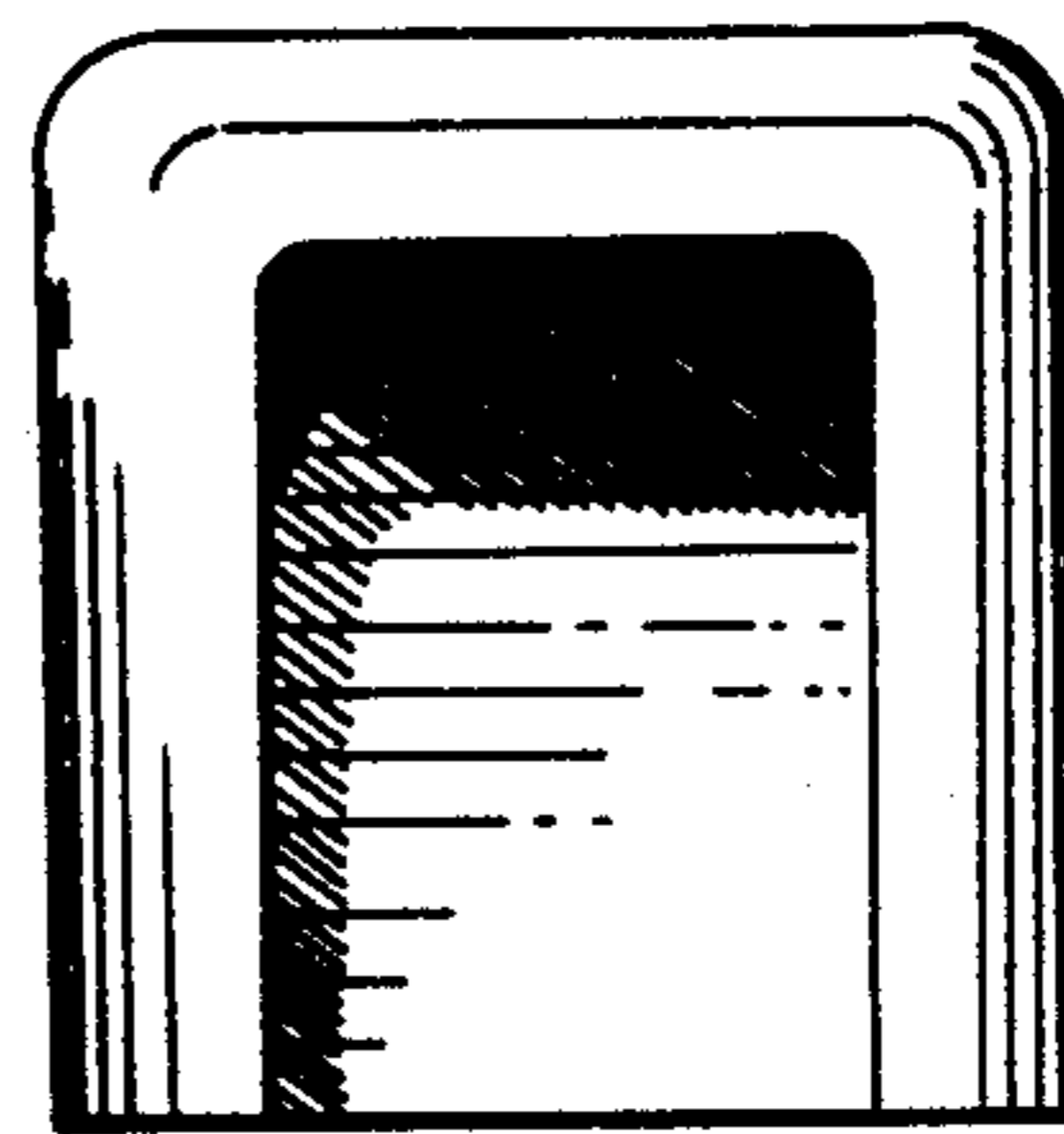


FIG. 3

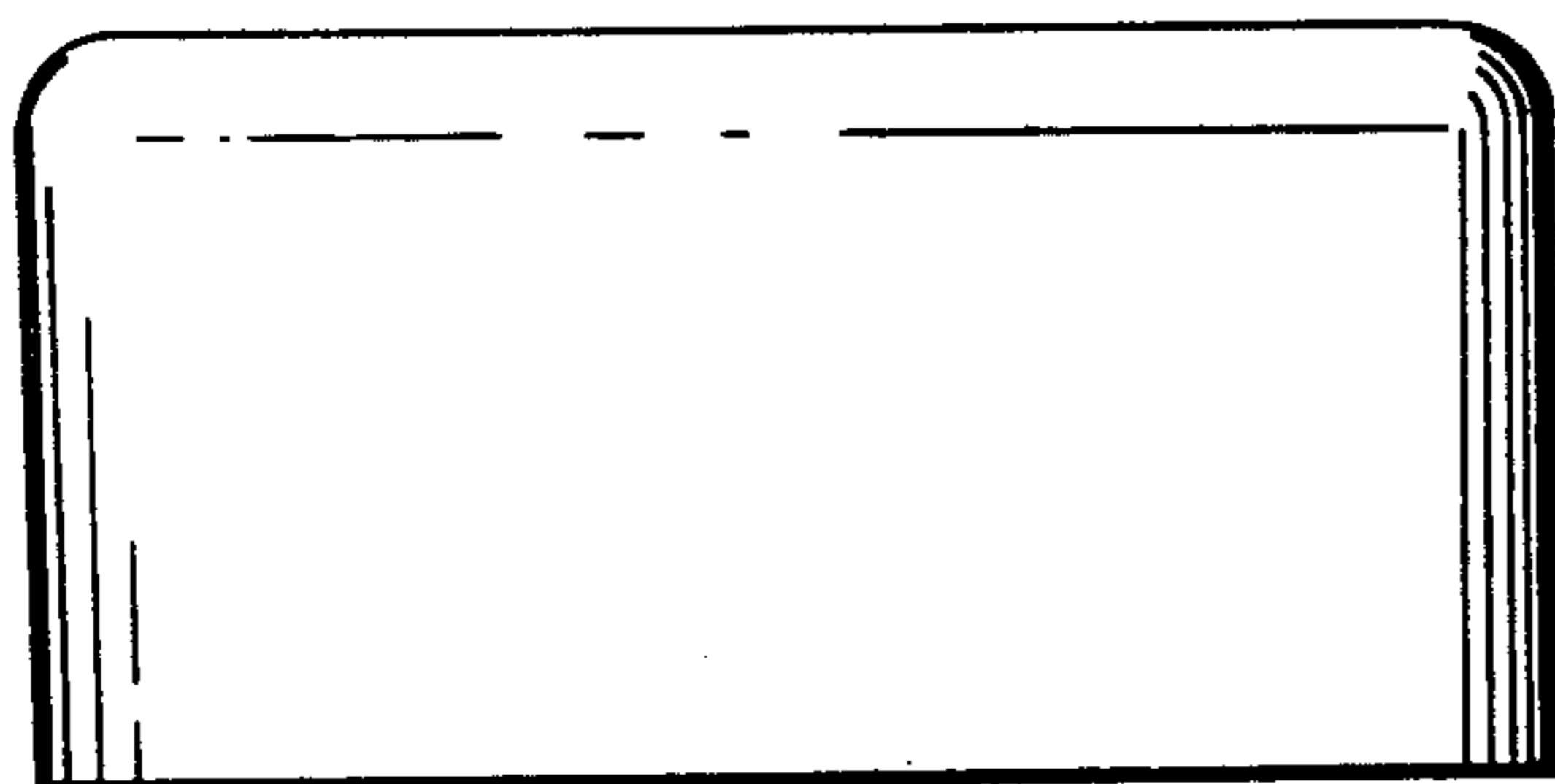


FIG. 2

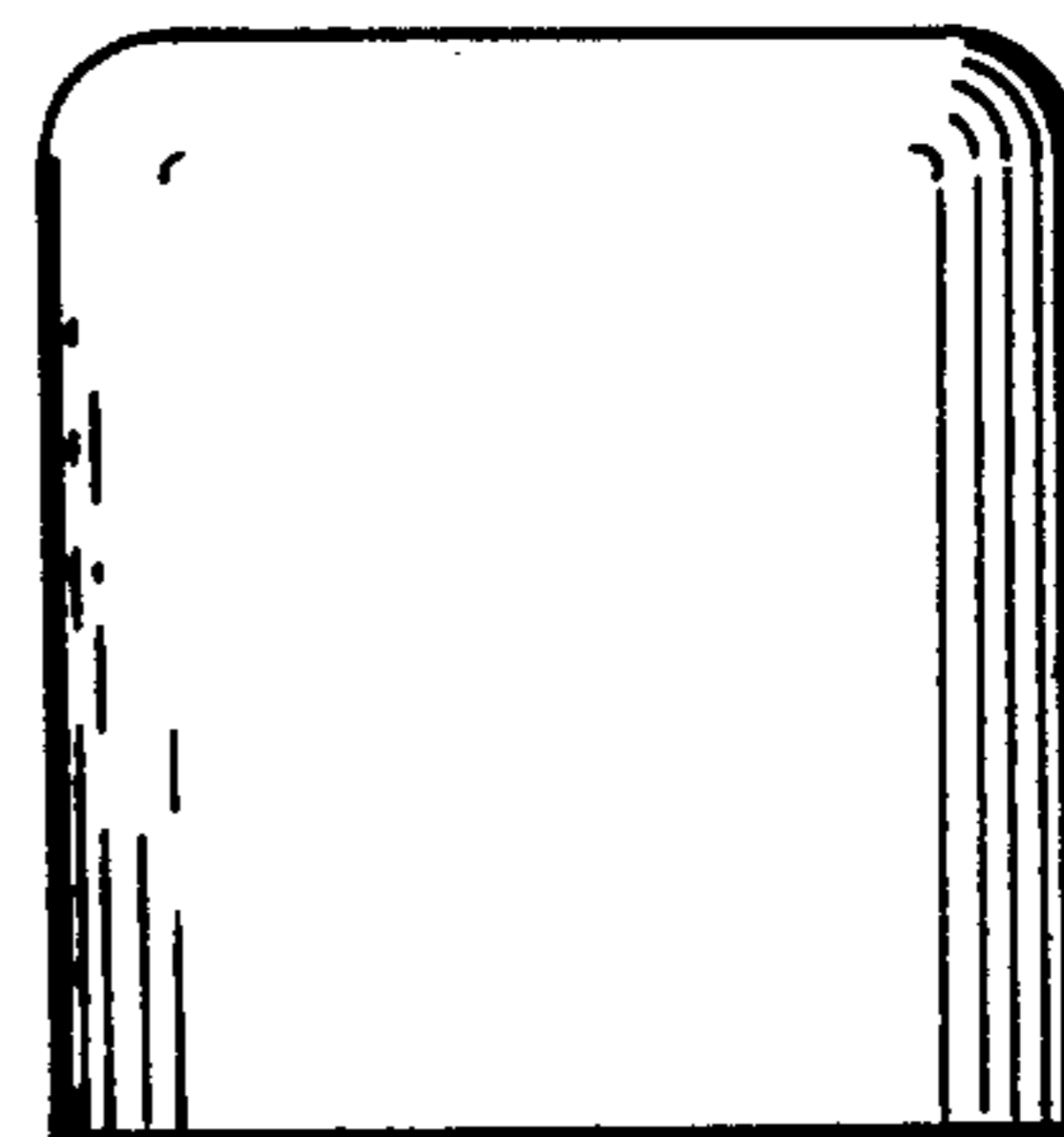


FIG. 4

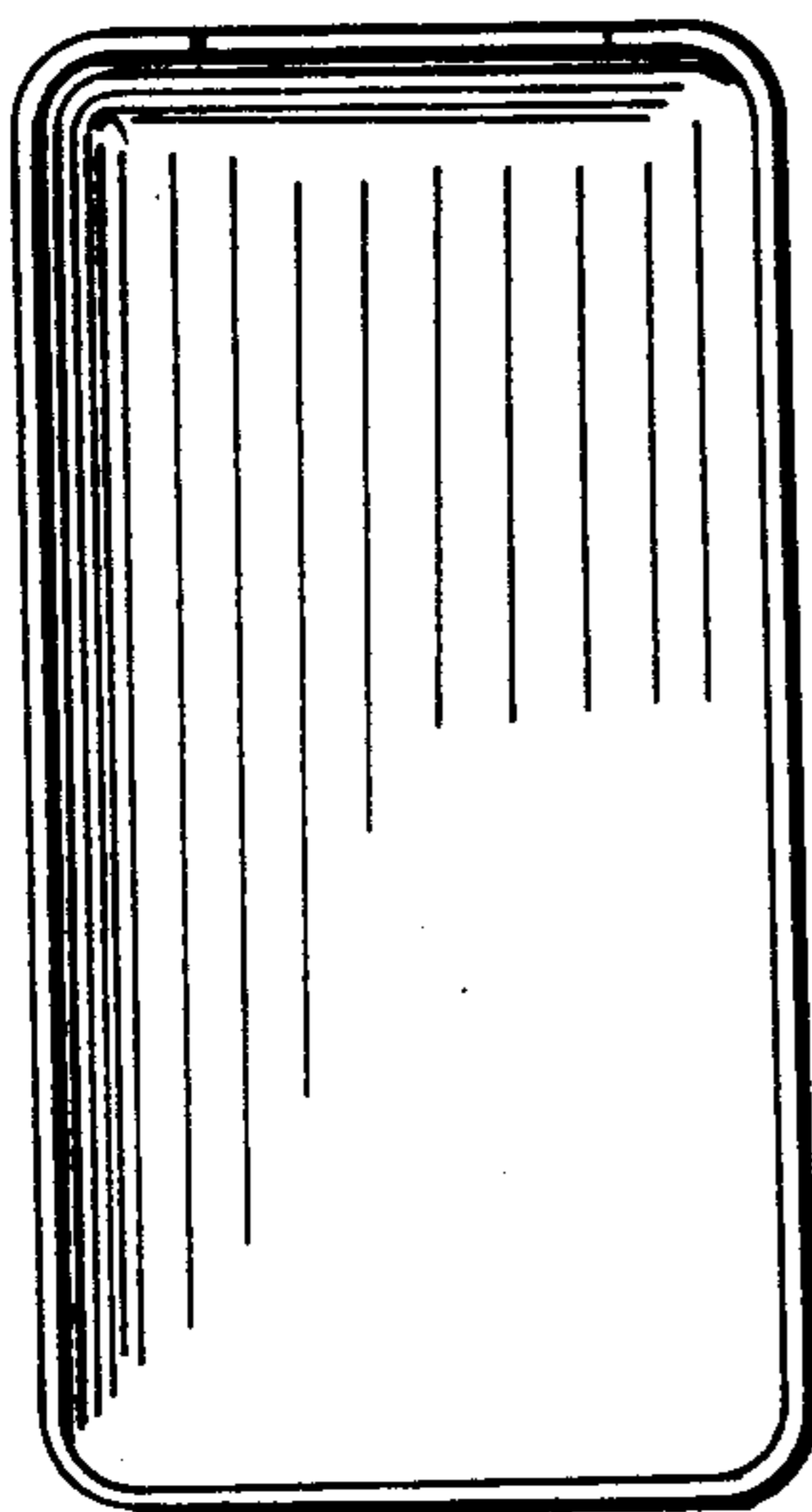


FIG. 5

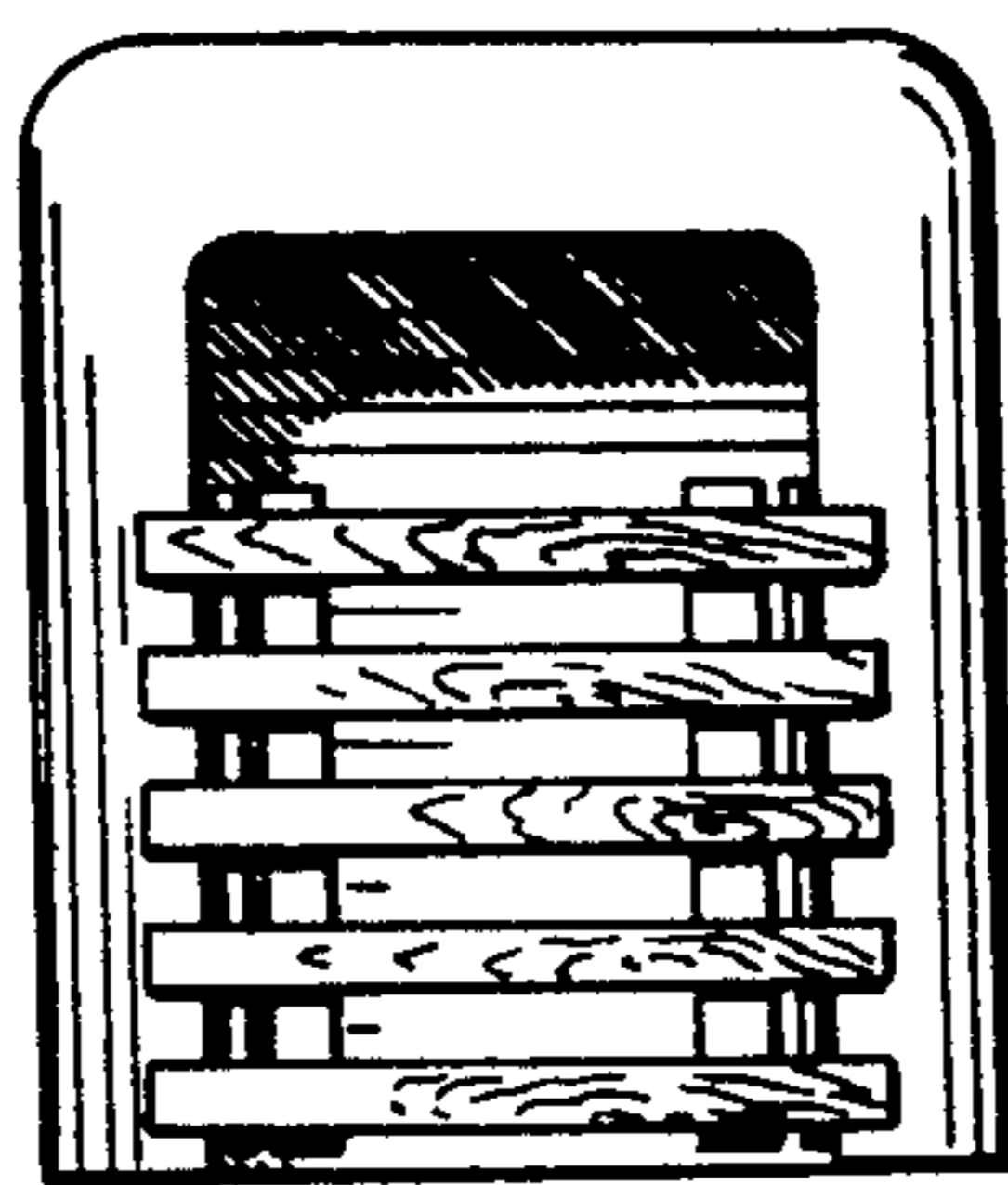


FIG. 6

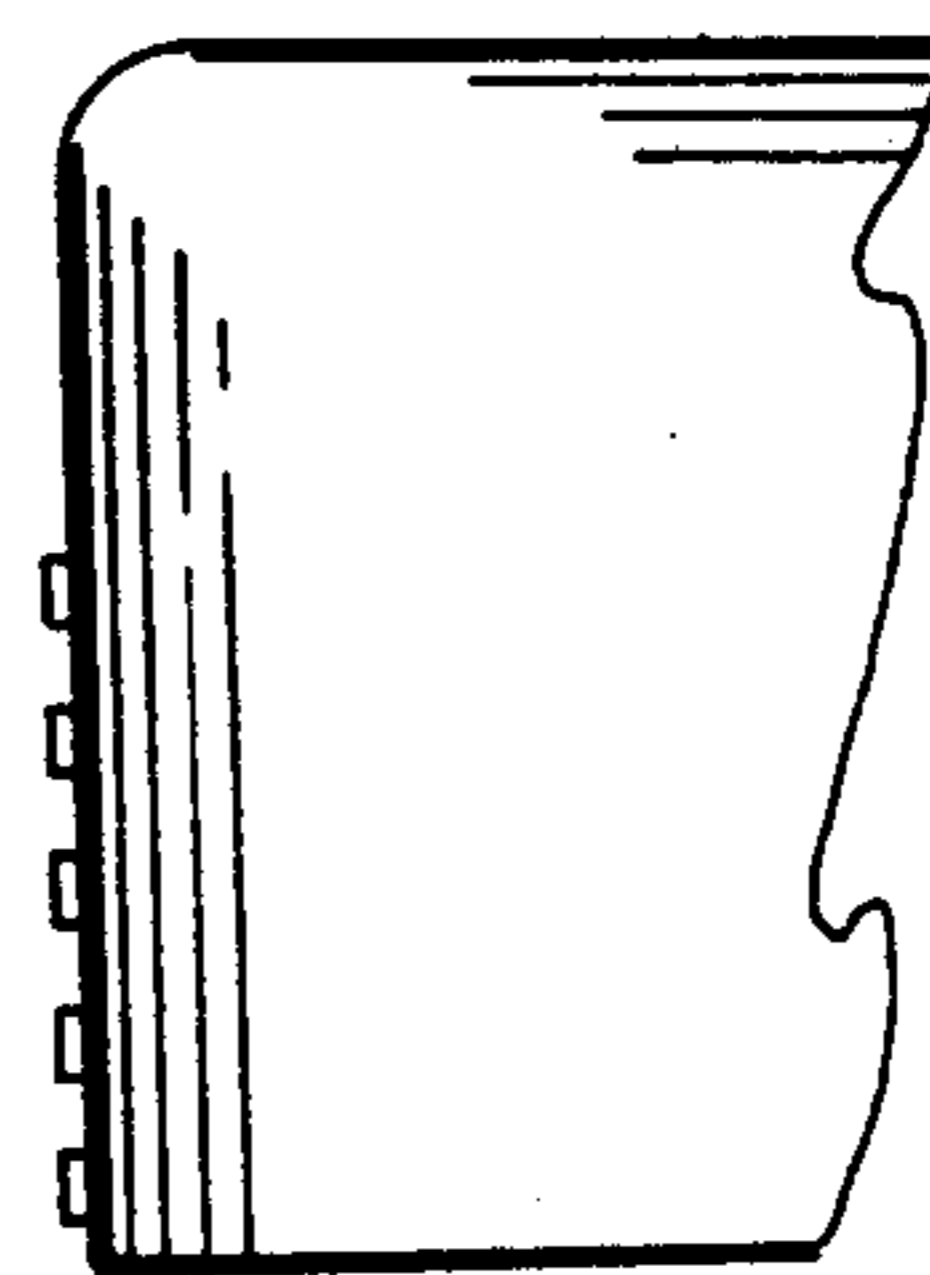


FIG. 7

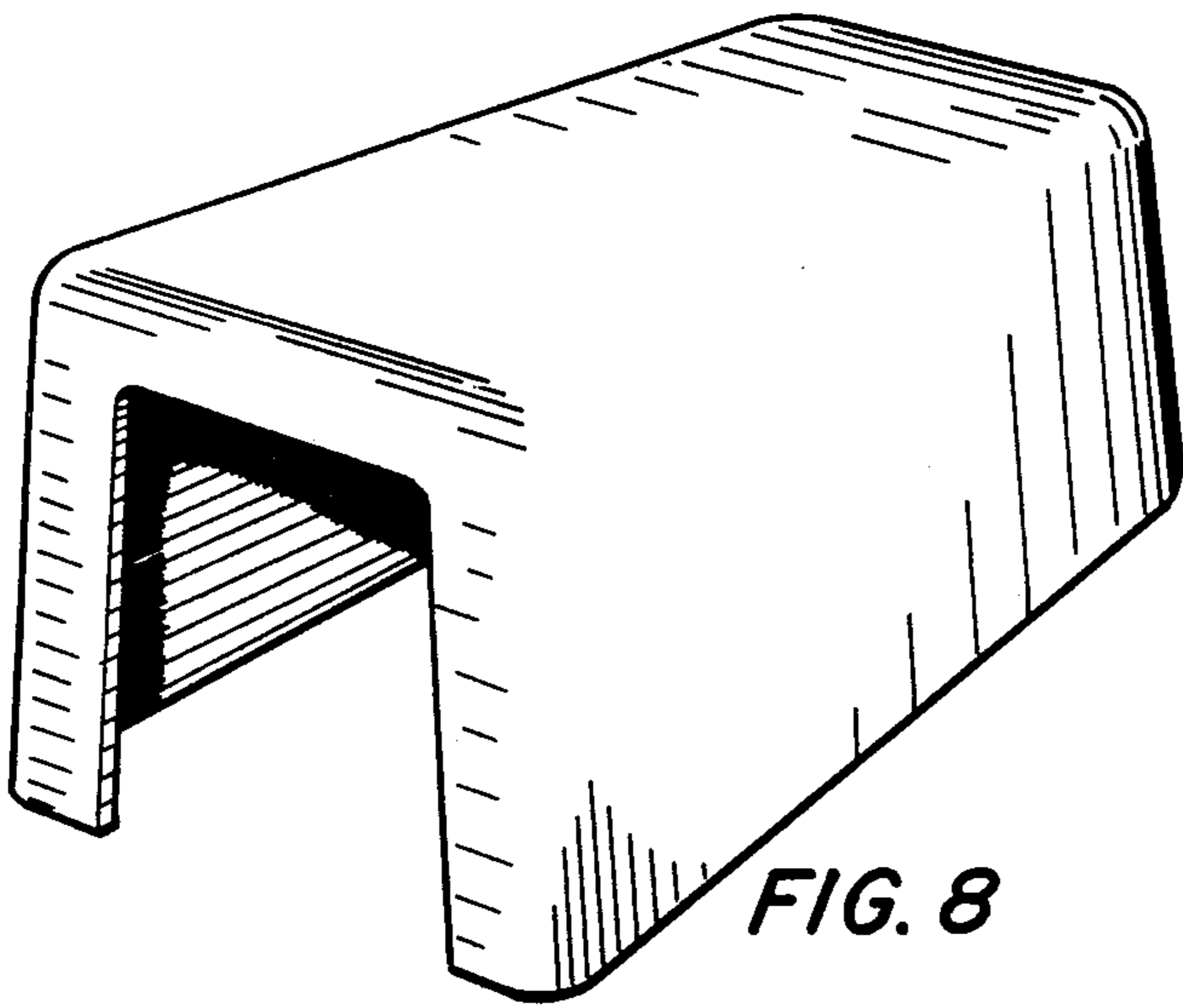


FIG. 8

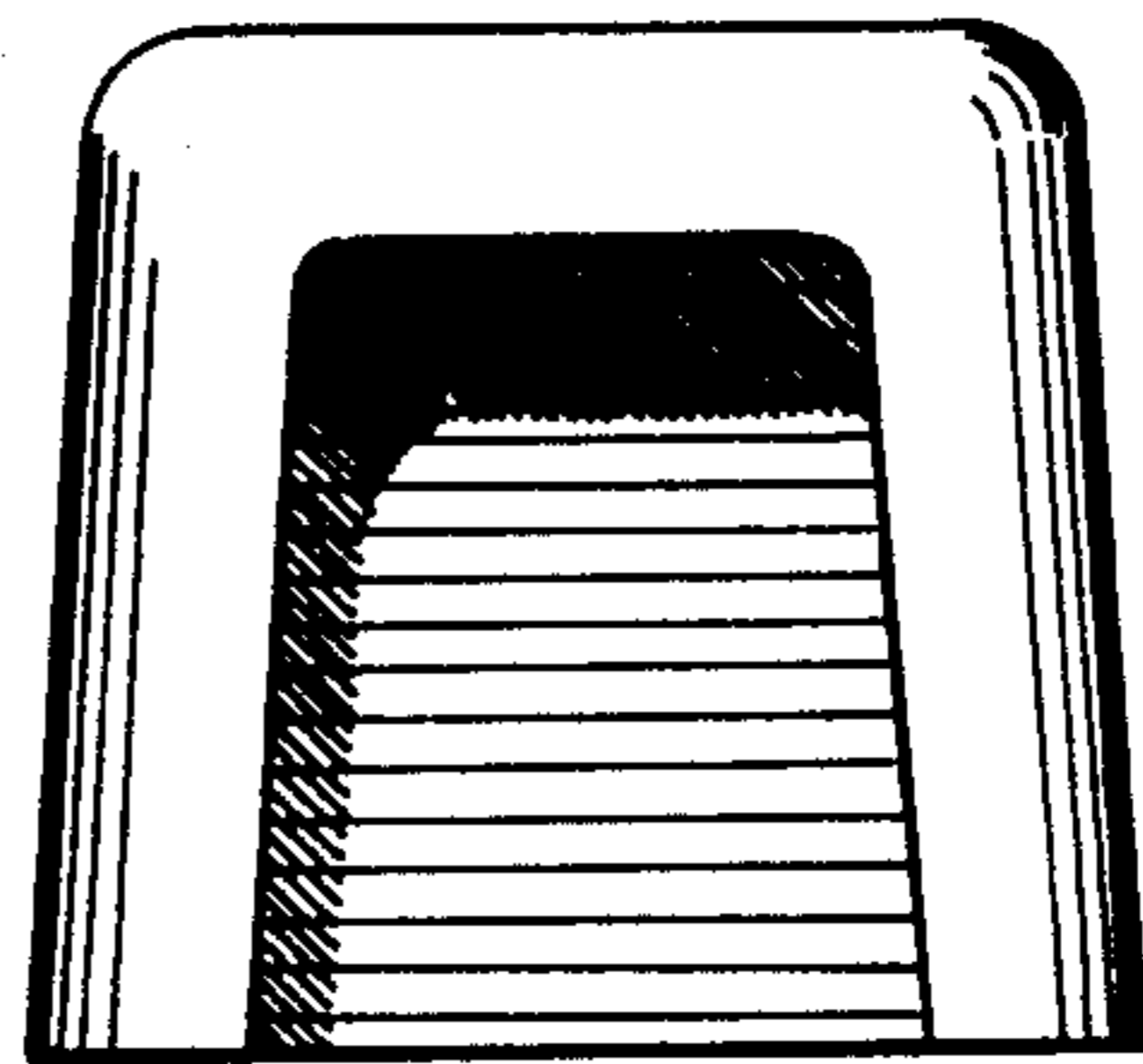


FIG. 10

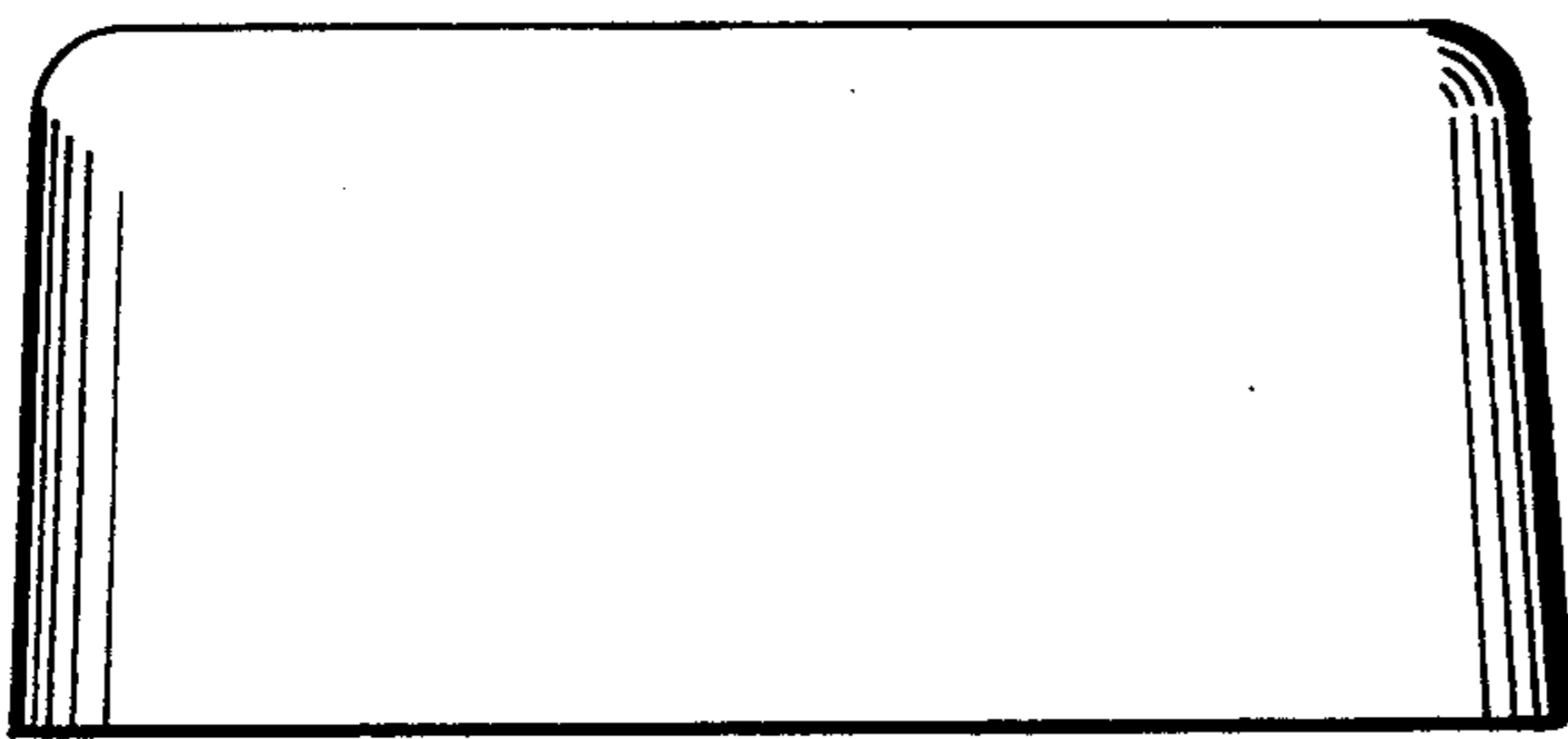


FIG. 9

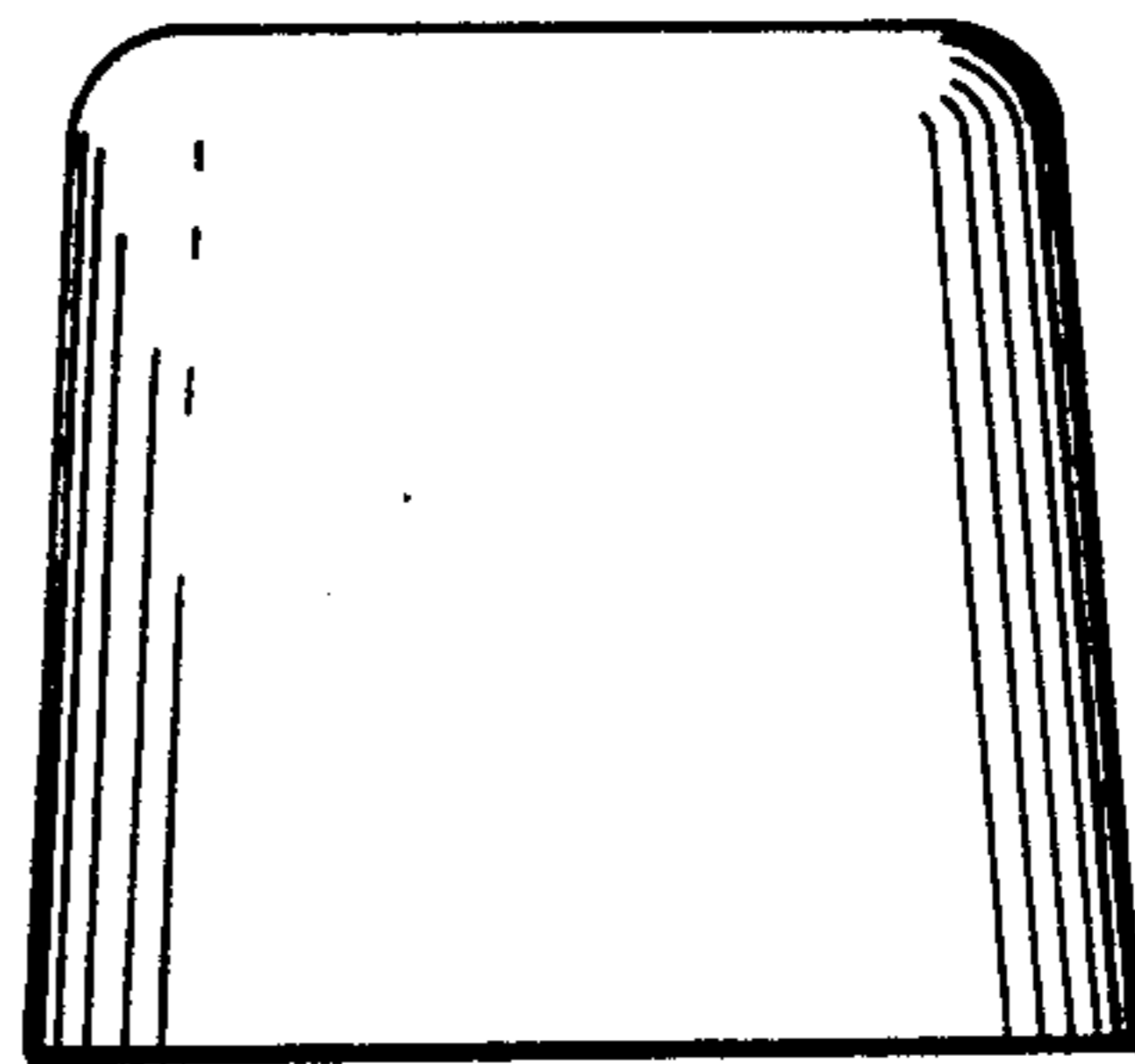


FIG. 11

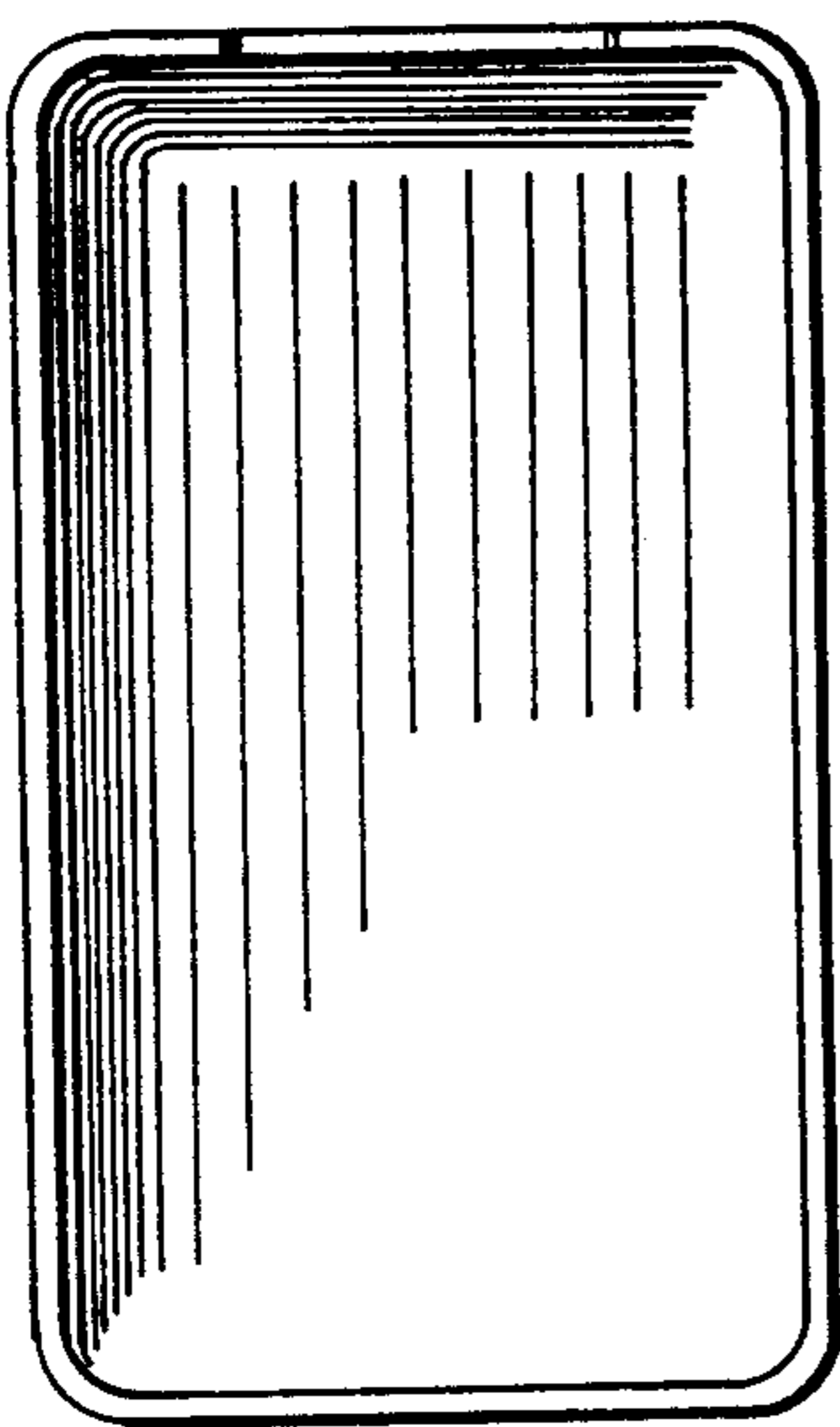


FIG. 12

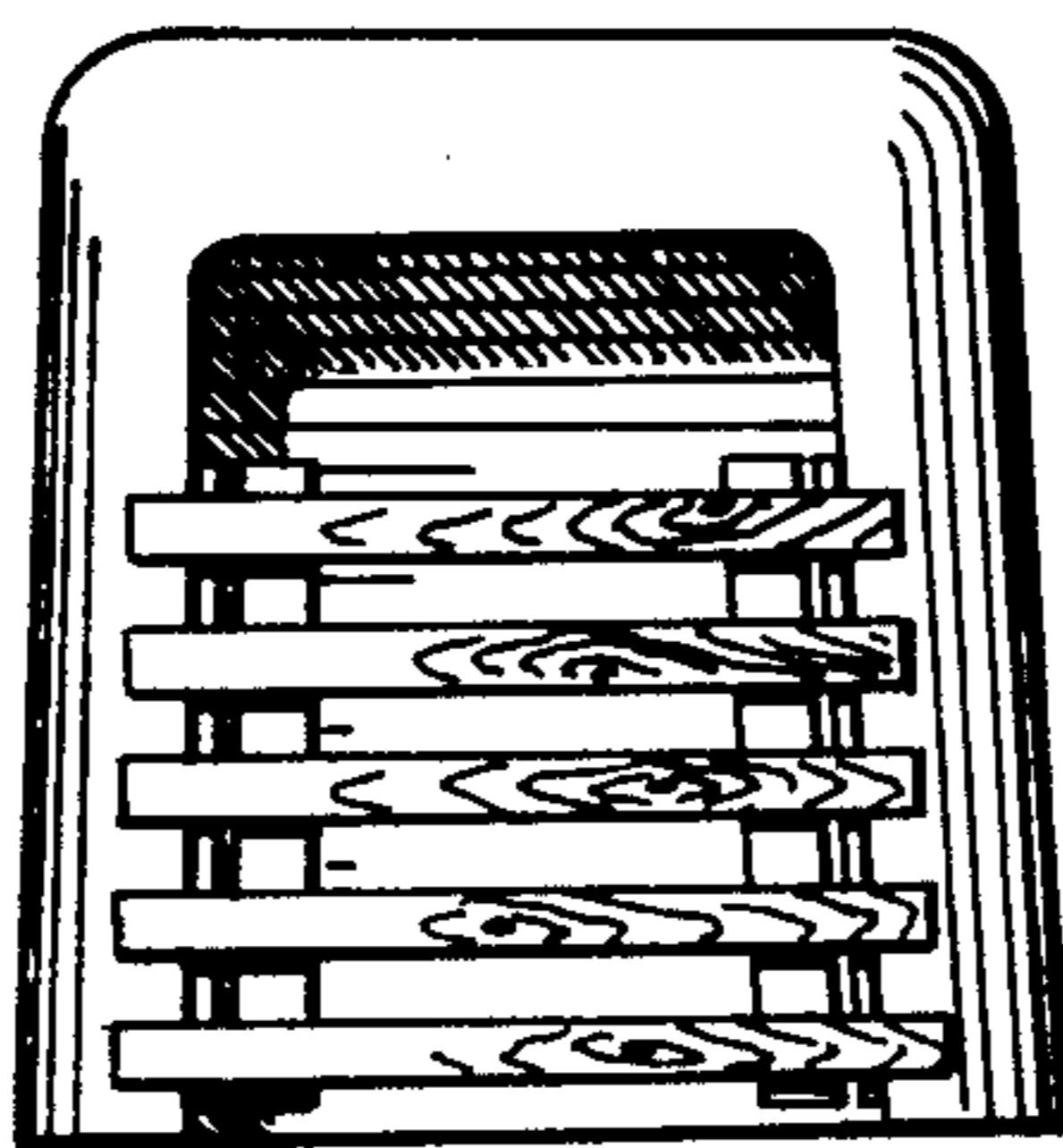


FIG. 13

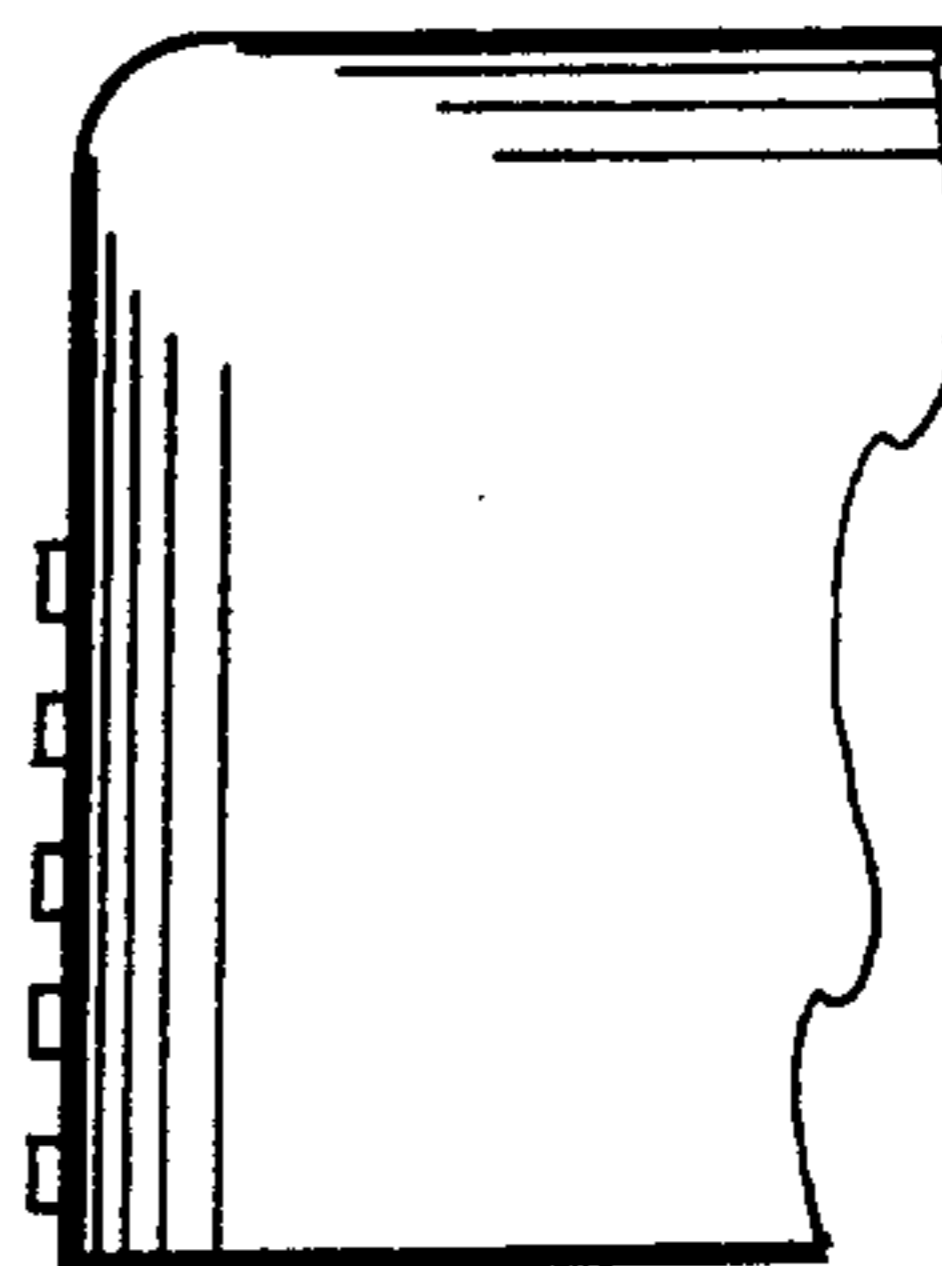
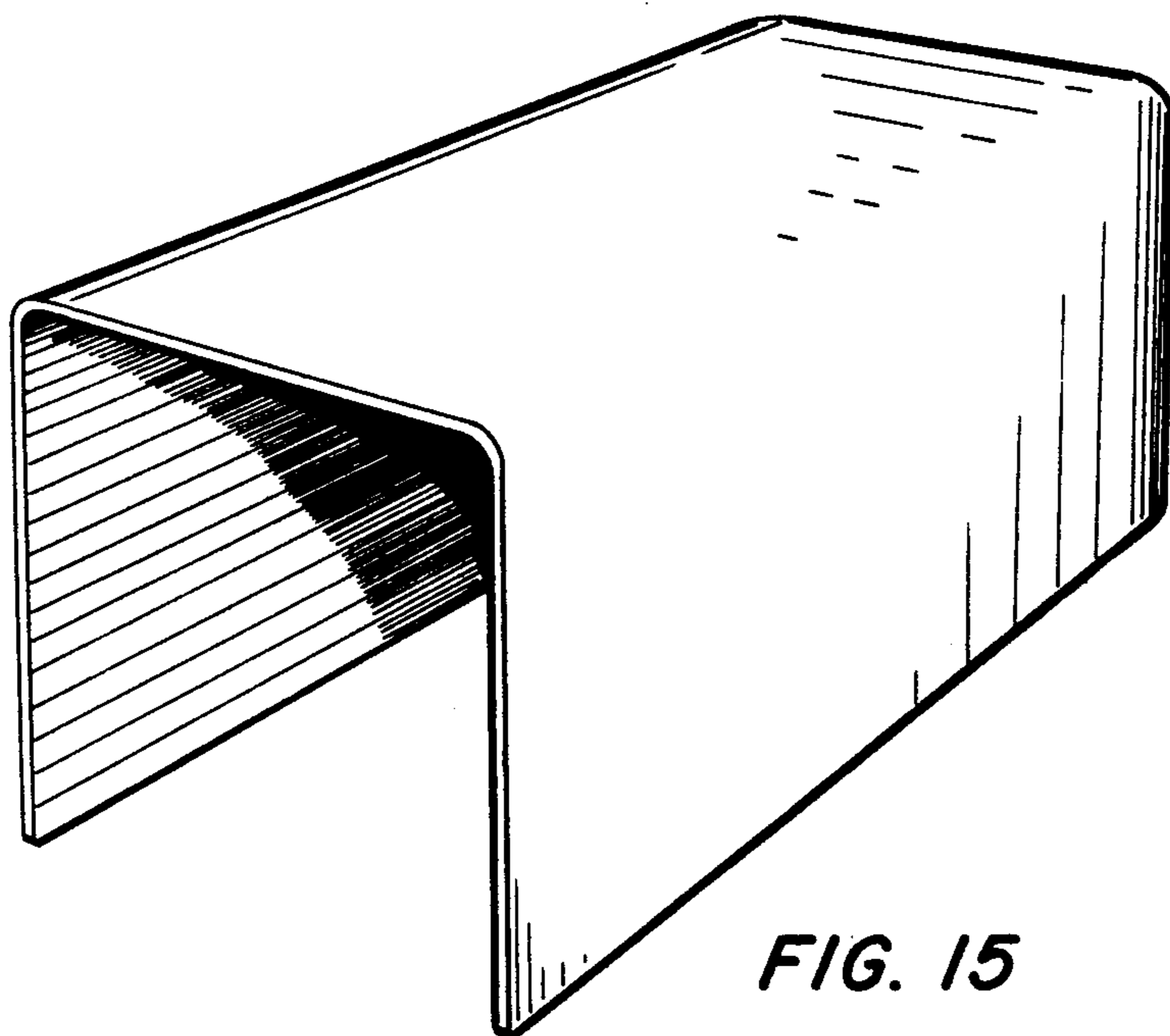
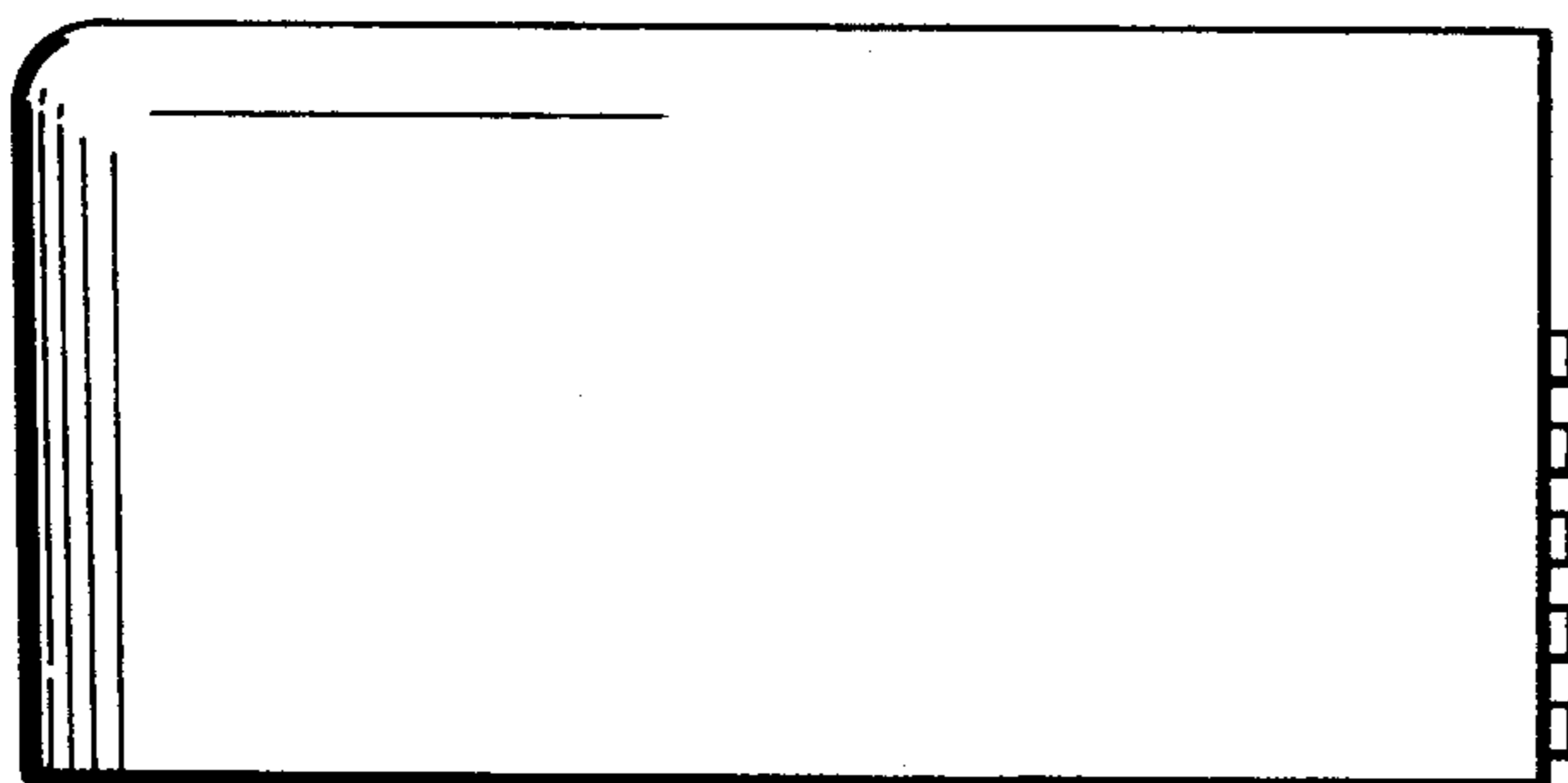


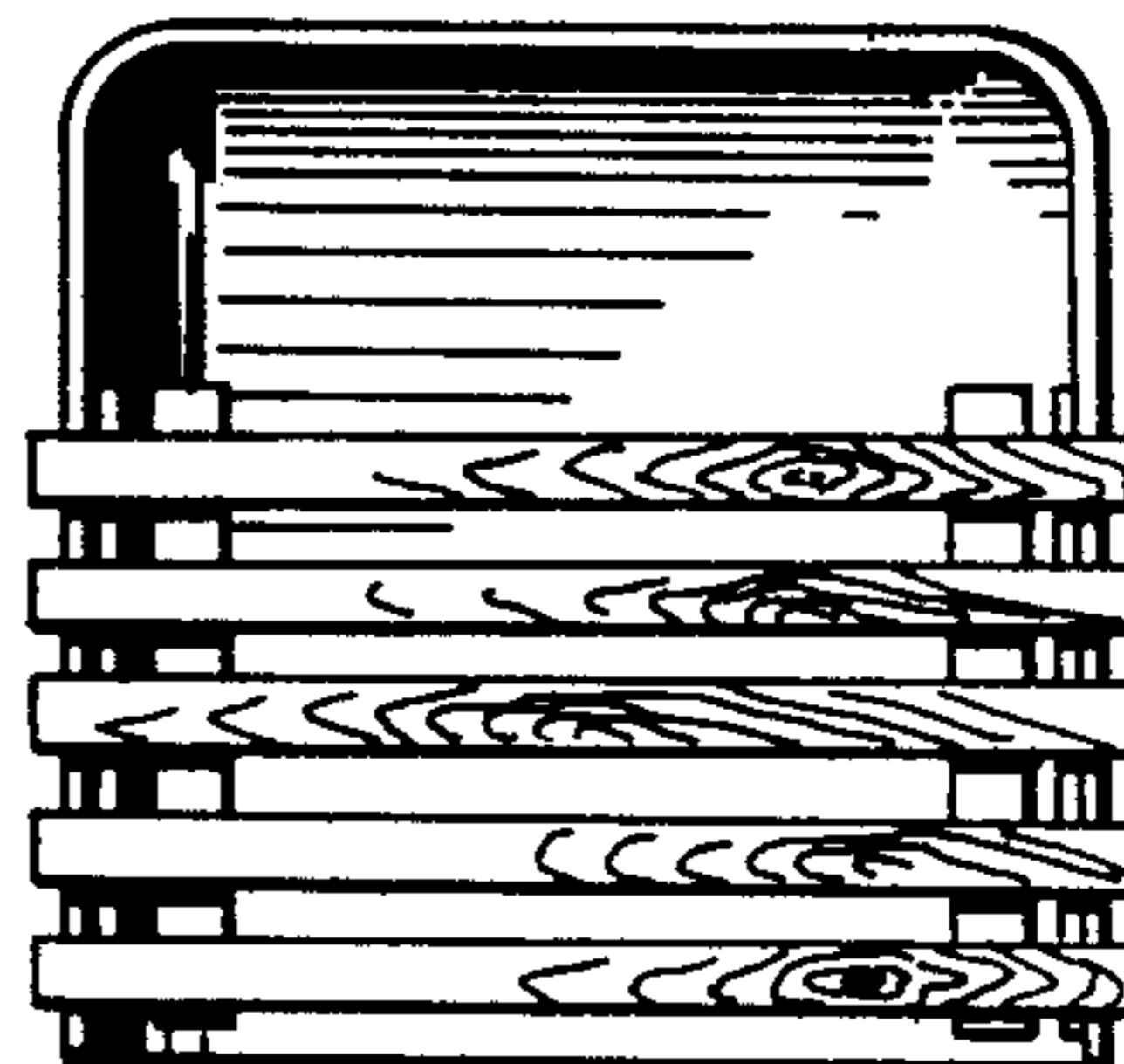
FIG. 14



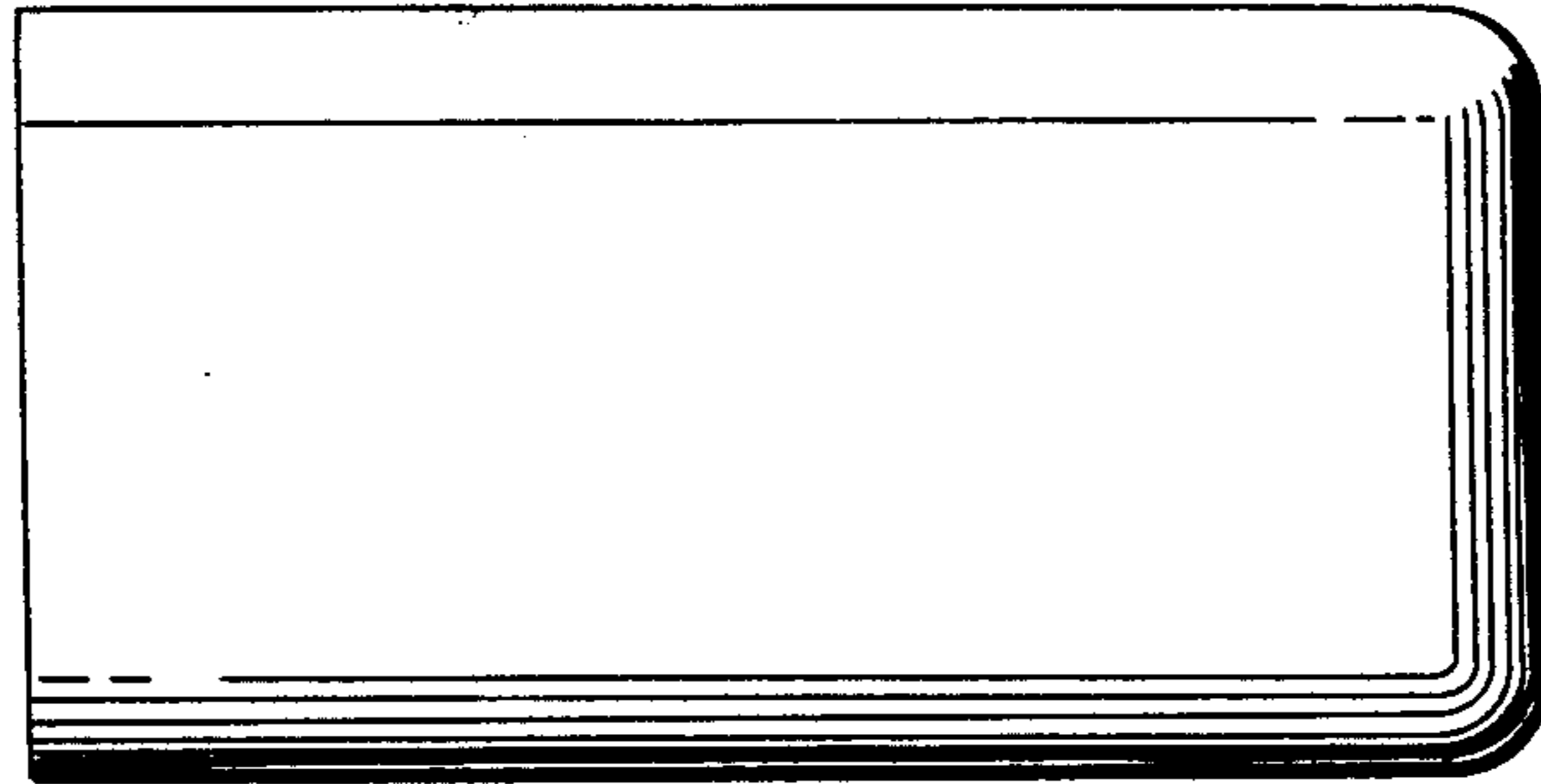
*FIG. 15*



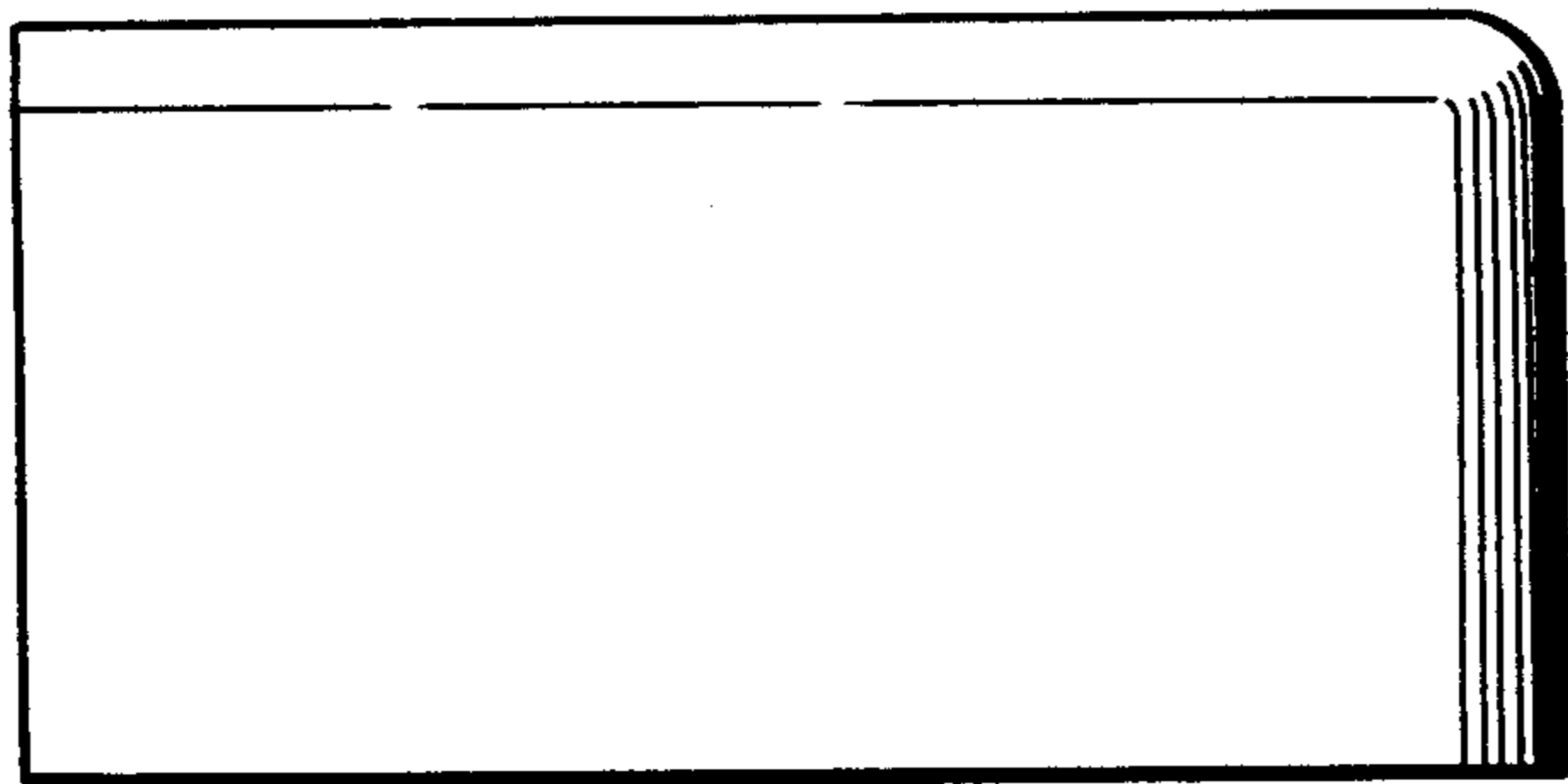
*FIG. 21*



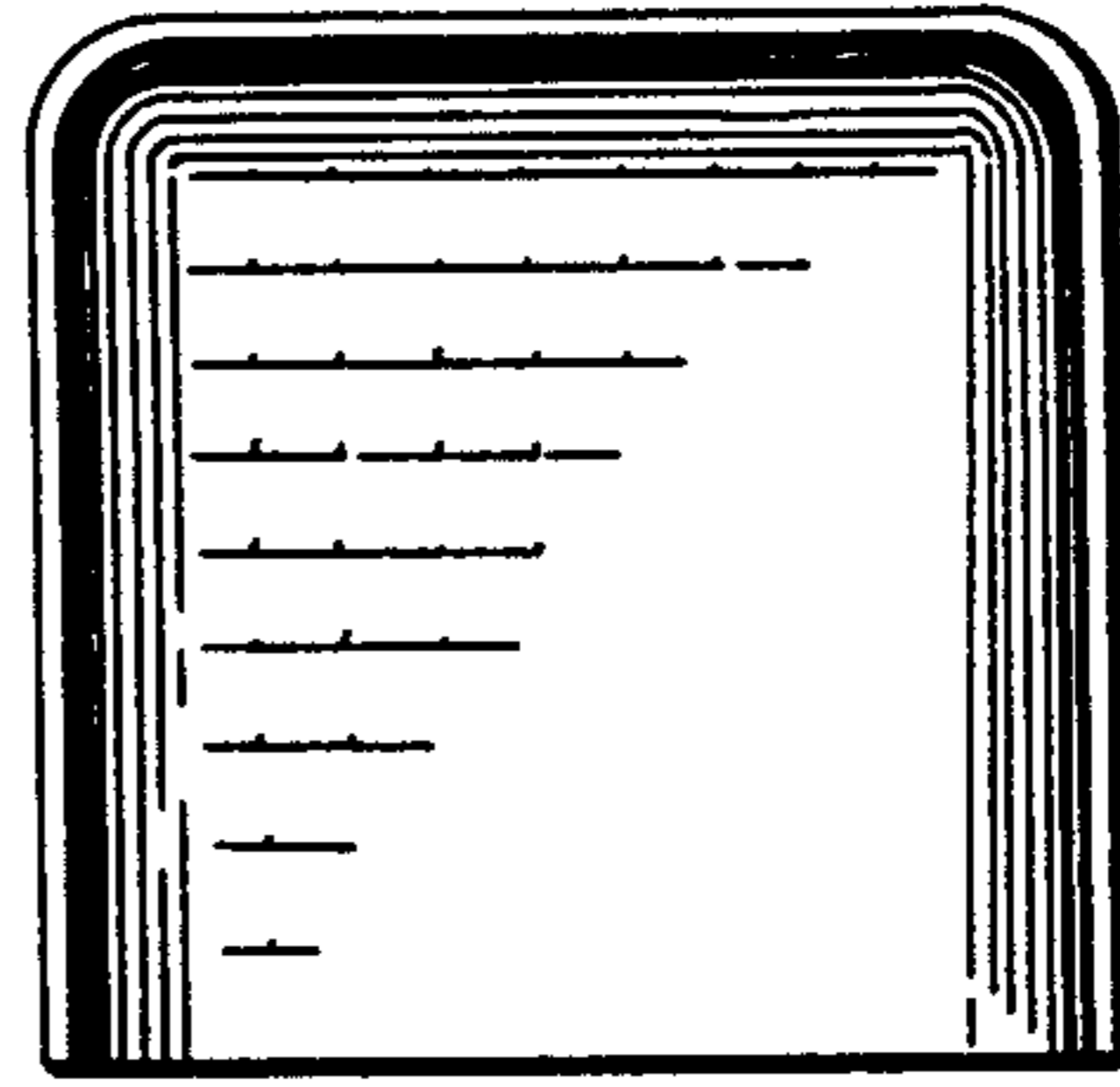
*FIG. 22*



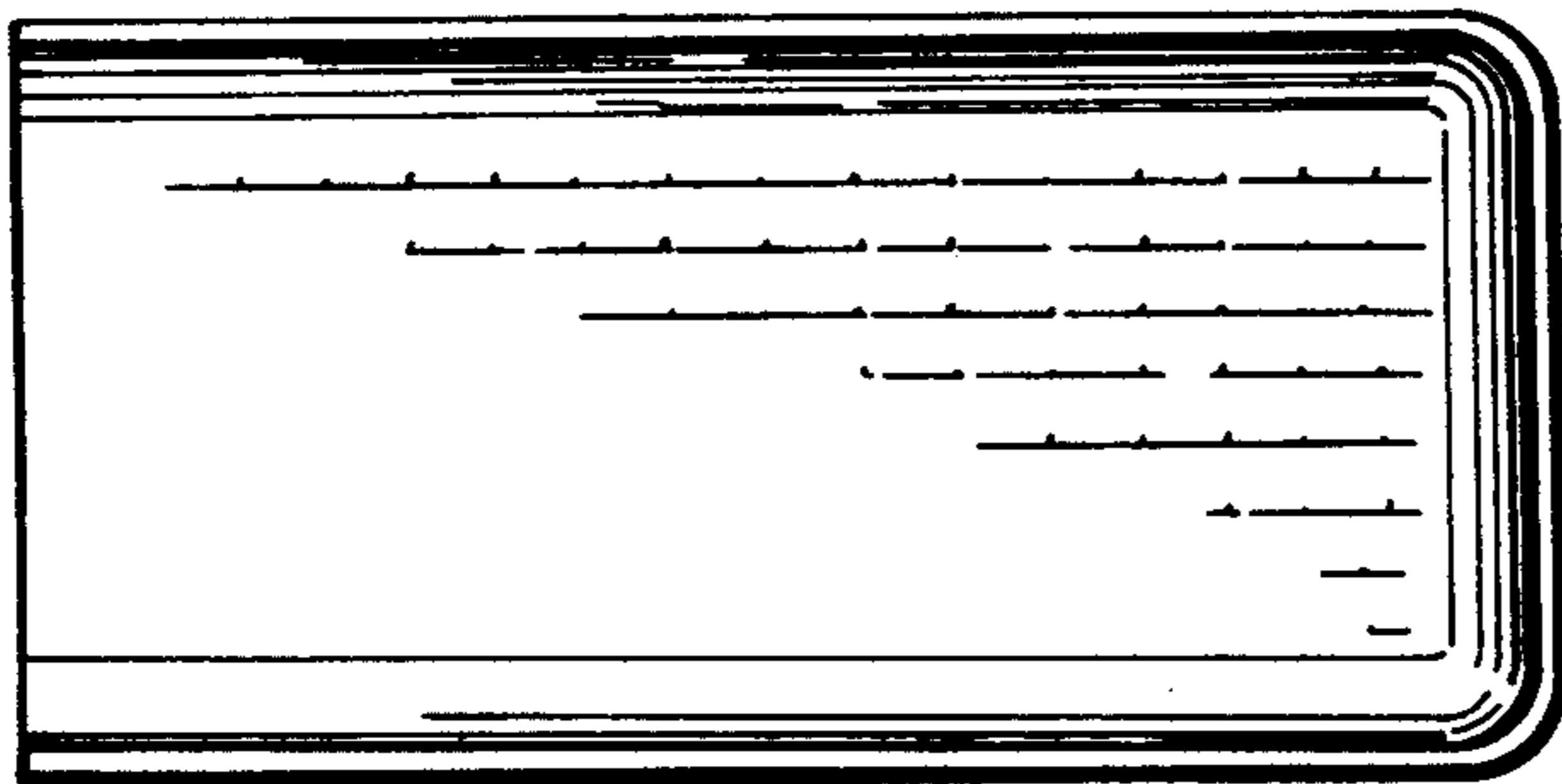
*FIG. 16*



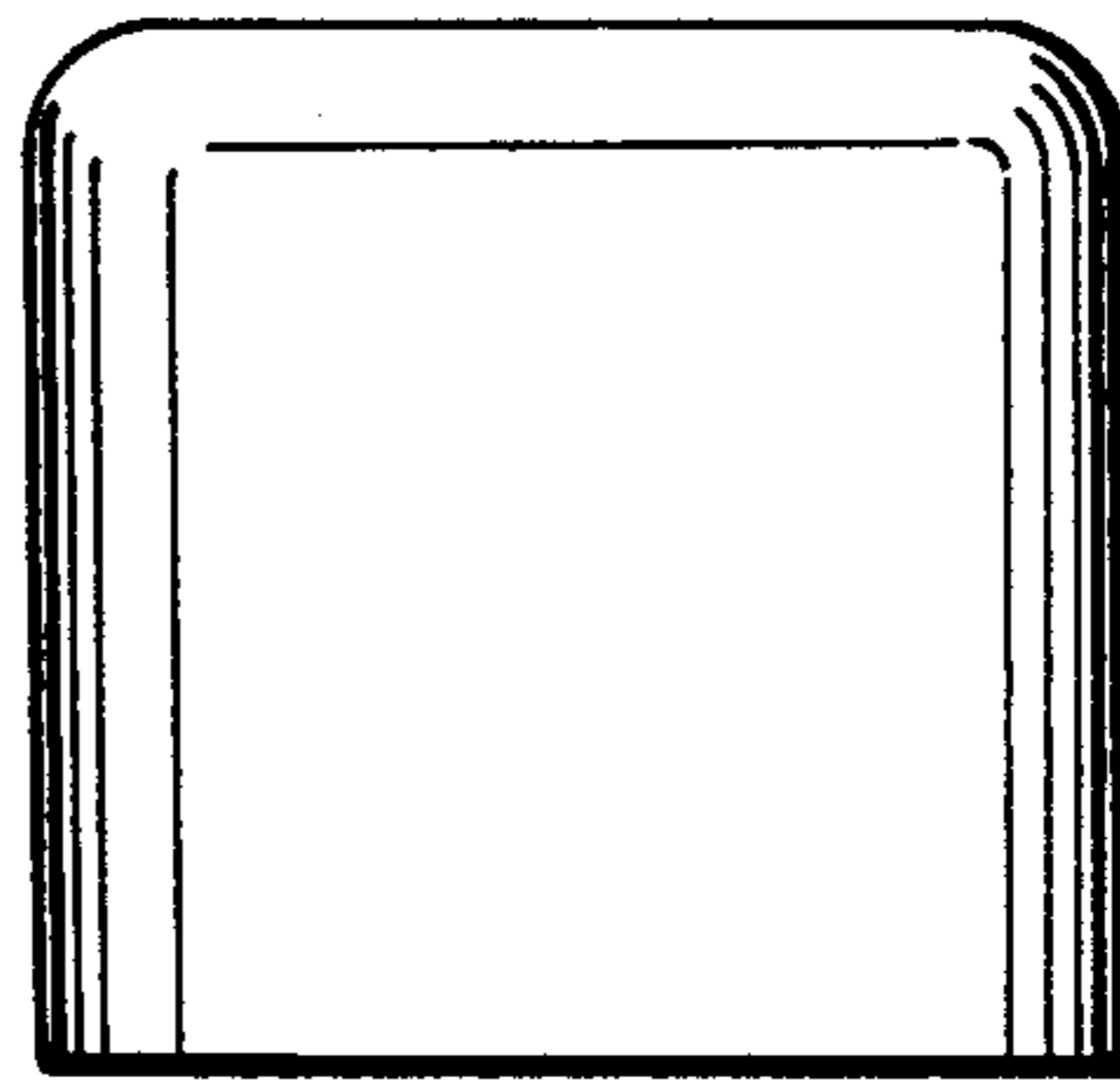
*FIG. 17*



*FIG. 18*



*FIG. 20*



*FIG. 19*