

[54] **ARTICULAR ARM FOR MOUNTING AND POSITIONING A HEAD MODEL FOR DENTAL STUDENT USE**

2,919,091 12/1959 Vandercook 248/124
3,520,060 7/1970 Crabtree et al. 32/71
4,035,920 7/1977 Saupe 32/71

[75] Inventor: **Roderick S. Hunt, Portland, Oreg.**

FOREIGN PATENT DOCUMENTS

[73] Assignee: **Adcoa, Inc., Portland, Oreg.**

466340 5/1937 United Kingdom 32/71

[**] Term: **14 Years**

Primary Examiner—Bernard Ansher
Attorney, Agent, or Firm—Daniel P. Chernoff

[21] Appl. No.: **883,042**

[57] **CLAIM**

[22] Filed: **Mar. 2, 1978**

The ornamental design for an articulator arm for mounting and positioning a head model for dental student use, as shown and described.

[51] Int. Cl. **D24-99**

DESCRIPTION

[52] U.S. Cl. **D24/99; D8/355**

[58] Field of Search **D19/59, 62; 32/71; 35/17; 248/124, 286, 284; D8/354, 355; D24/4, 5, 7, 99**

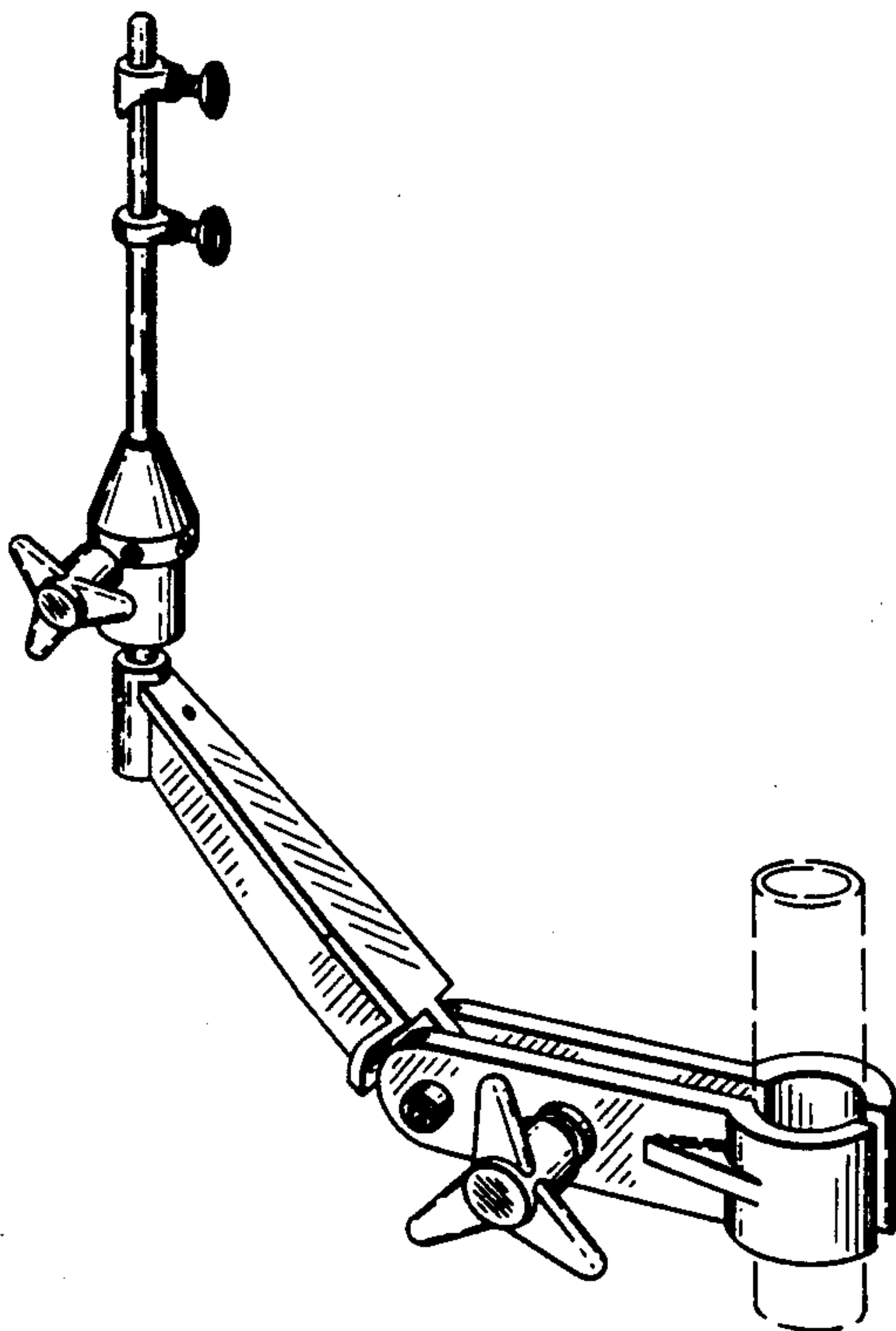
FIG. 1 is a top perspective view of an articulator arm, for mounting and positioning a head model for dental student use, embodying my new design, with a mounting post (shown in broken lines) for illustrative purposes only;

[56] **References Cited**

U.S. PATENT DOCUMENTS

2,178,717 11/1939 Burtenshaw 32/71

FIG. 2 is a bottom perspective view thereof; and FIG. 3 is a bottom plan view thereof.



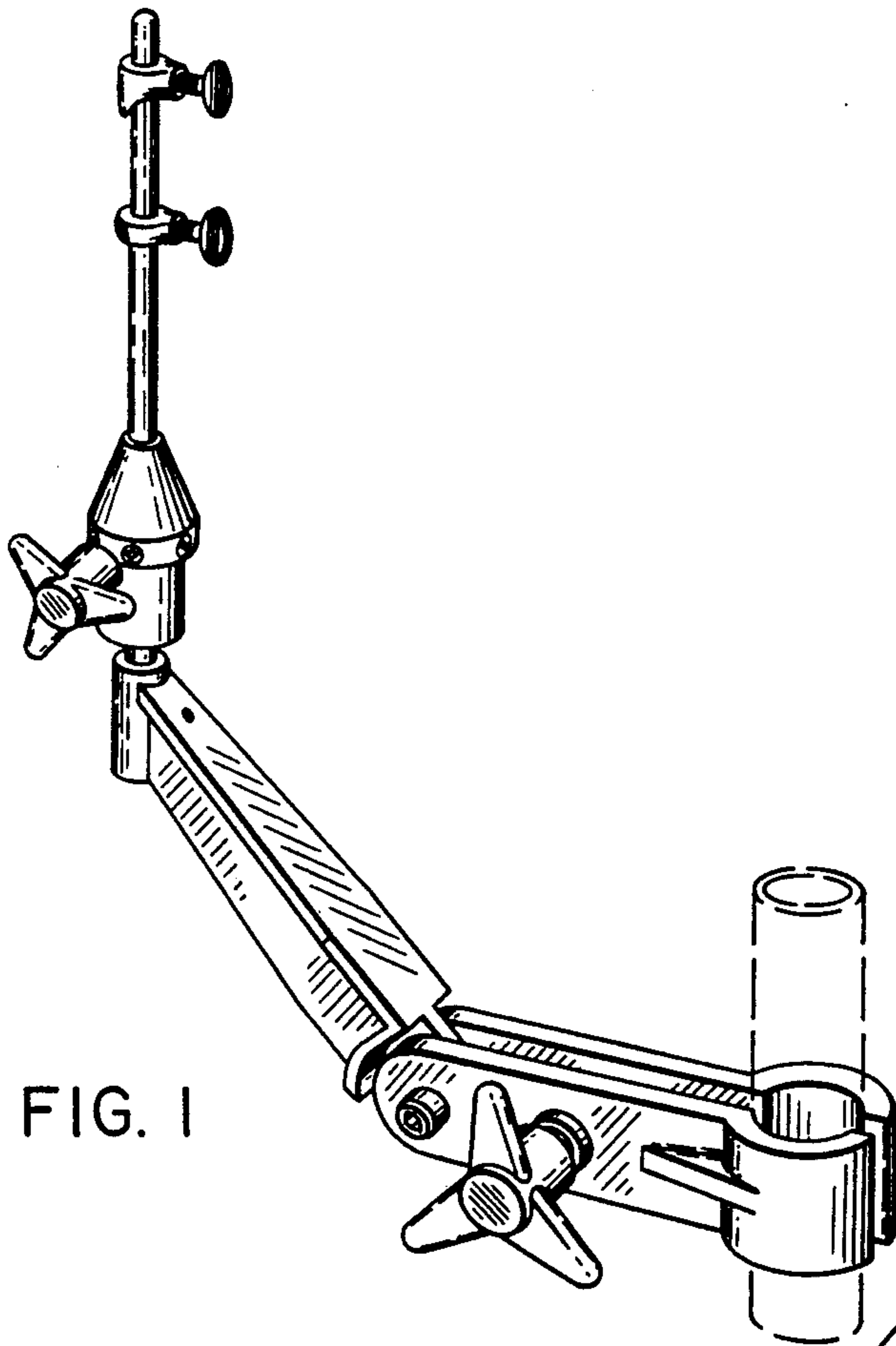


FIG. 1

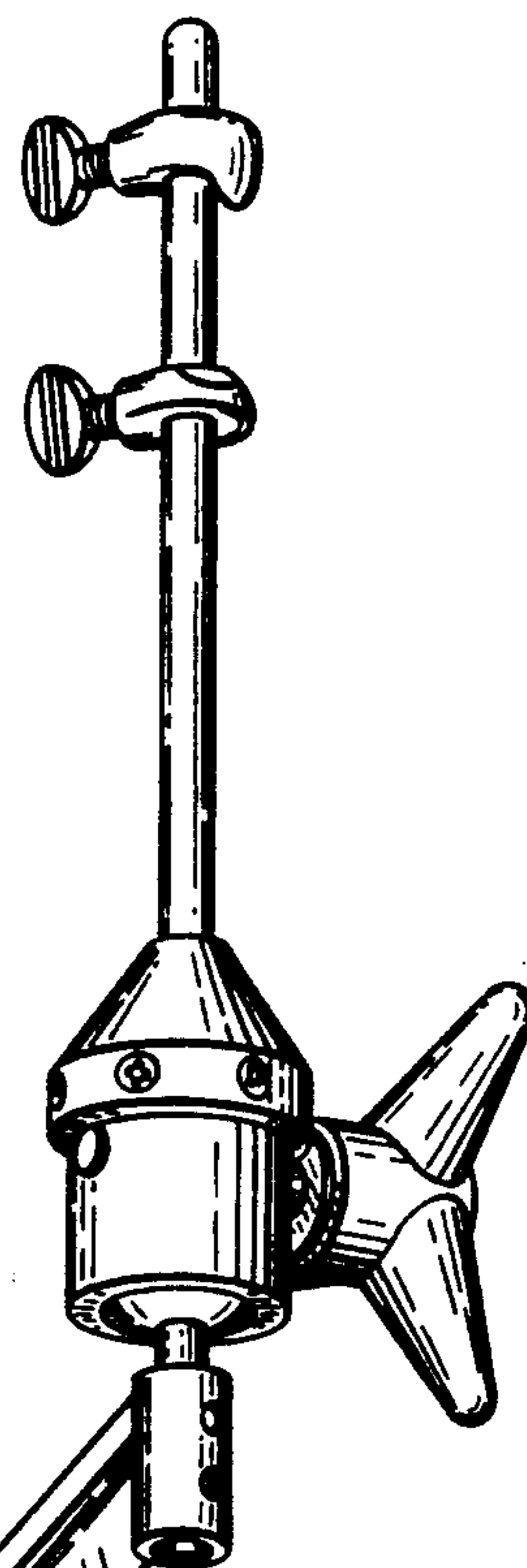


FIG. 2

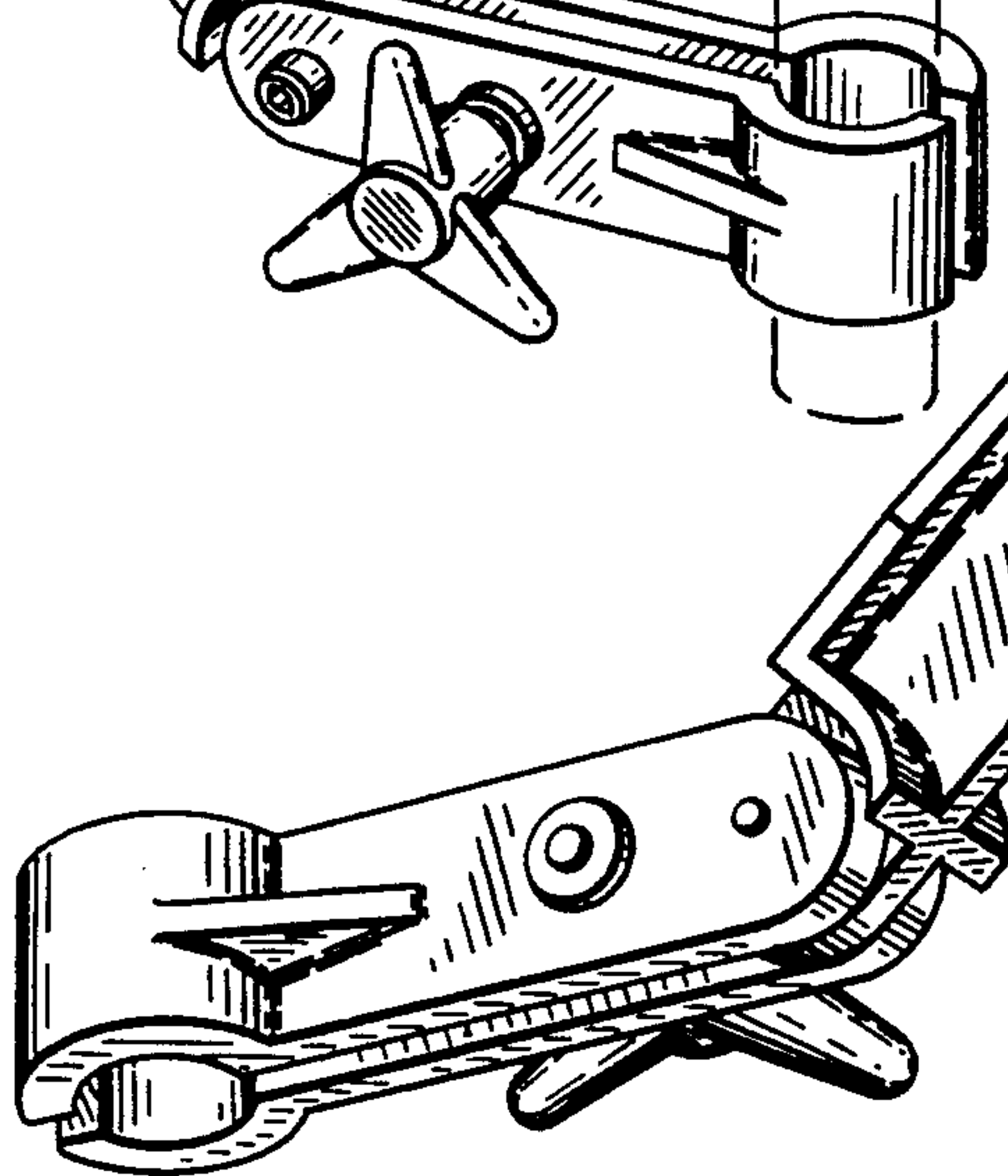


FIG. 3

