

[54] **BABY BOTTLE STRAP**
 [76] Inventor: **Alicia P. Giesa**, 492 School House
 La., Devon, Pa. 19333
 [**] Term: **14 Years**
 [21] Appl. No.: **841,158**
 [22] Filed: **Oct. 11, 1977**
 [51] Int. Cl. **D24-104**
 [52] U.S. Cl. **D24/48**
 [58] Field of Search 215/11 R, 11 C;
 294/27 R, 27 H, 33, 31.2; 248/102

2,745,569 5/1956 Seaman 215/11
 2,789,002 4/1957 Nicholas 294/33
 2,981,562 4/1961 Long 215/100 A X
 3,794,370 2/1974 Lockhart et al. 294/31.2
 3,990,596 11/1976 Hoftman 215/11 R

Primary Examiner—Bernard Ansher
Attorney, Agent, or Firm—Frank J. Benasutti

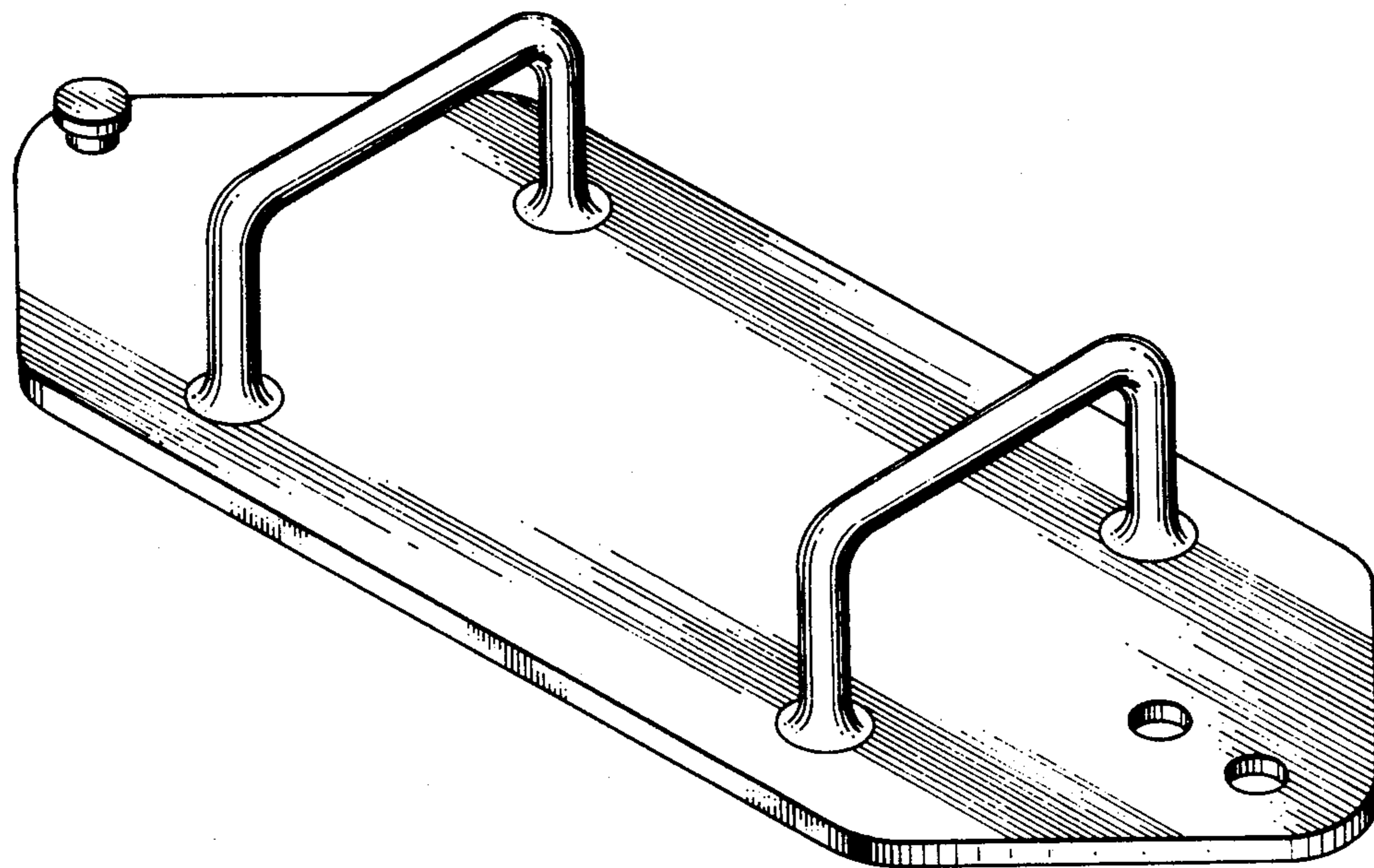
[57] **CLAIM**

The ornamental design for a baby bottle strap, as shown and described.

DESCRIPTION

FIG. 1 is a front perspective view of a baby bottle strap showing my new design;
 FIG. 2 is a top plan view thereof on a reduced scale;
 FIGS. 3, 4, and 5 are respectively side, end and bottom views thereof on said reduced scale.

[56] **References Cited**
U.S. PATENT DOCUMENTS
 D. 234,980 4/1975 Tomlin D24/48
 1,637,719 8/1927 Whitlock 215/11 C



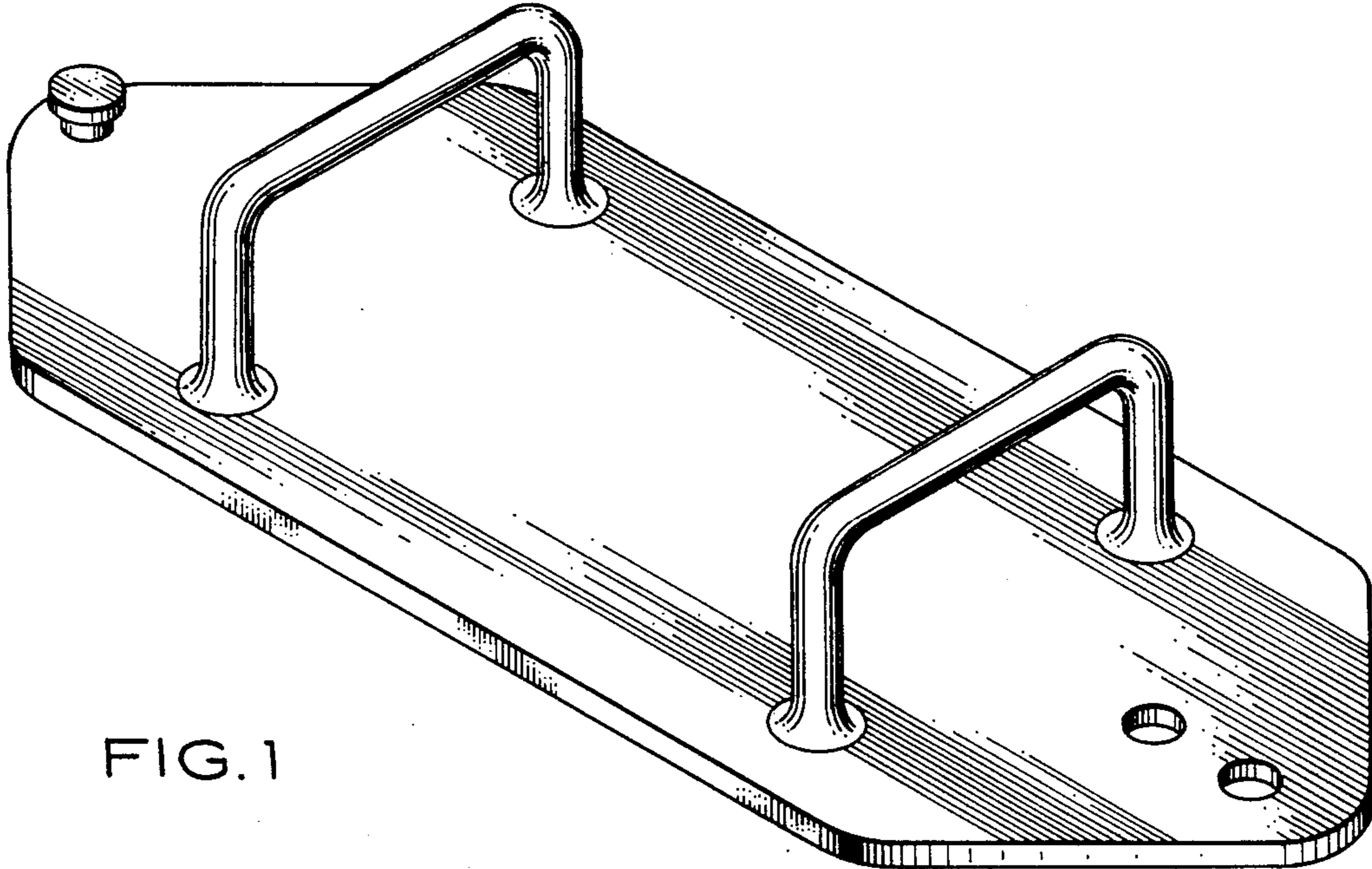


FIG. 1

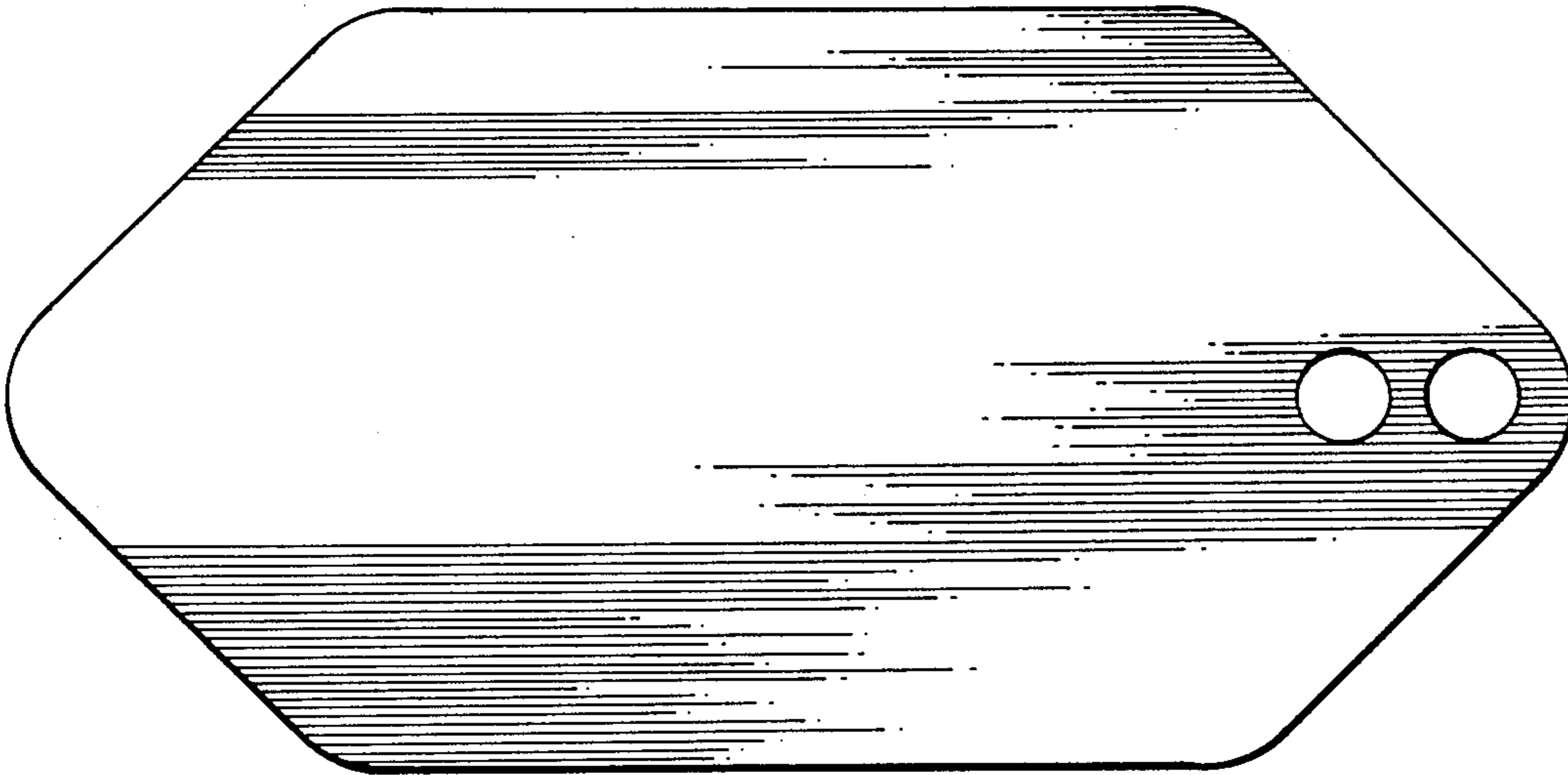


FIG. 5

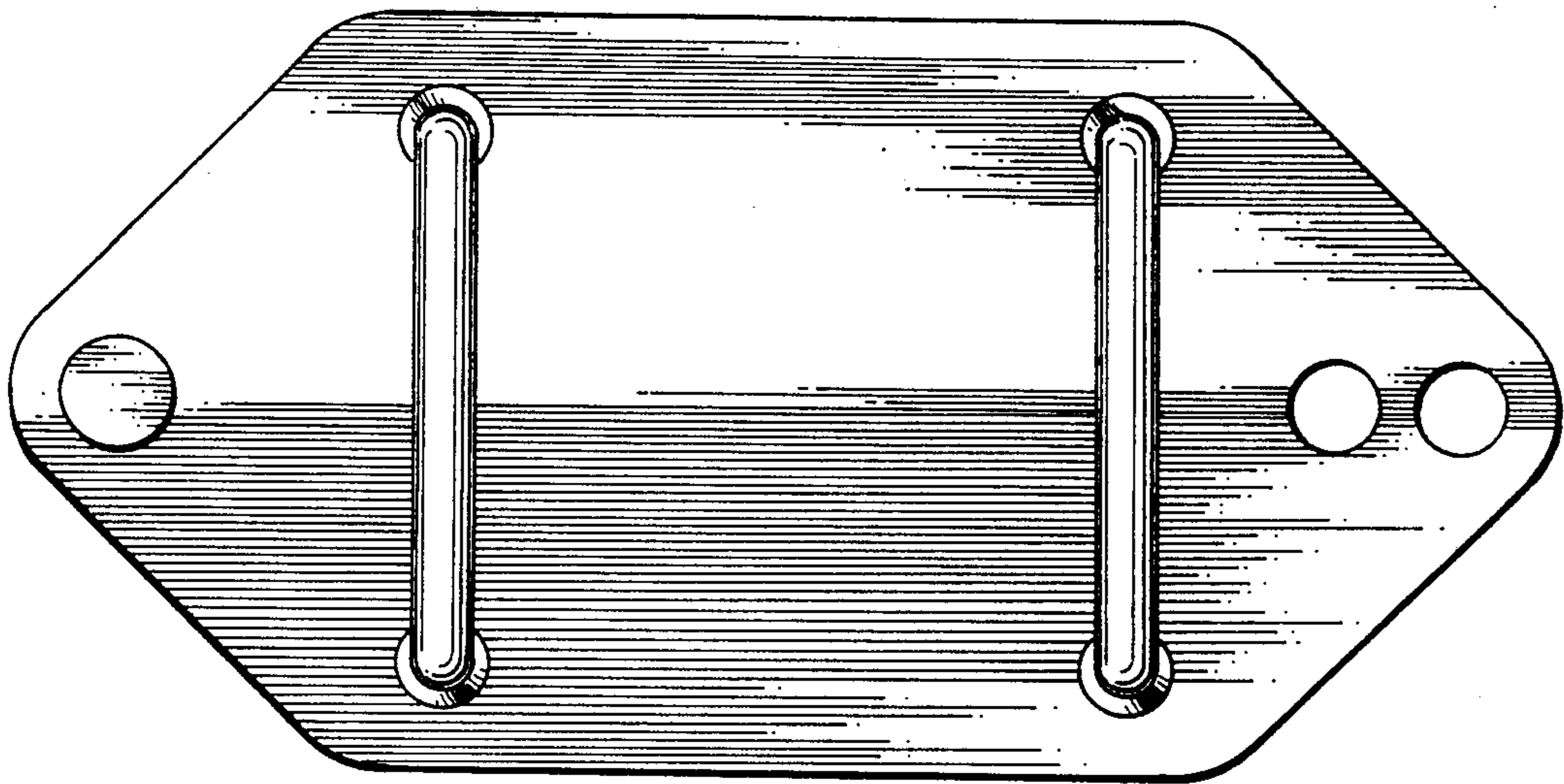


FIG. 2

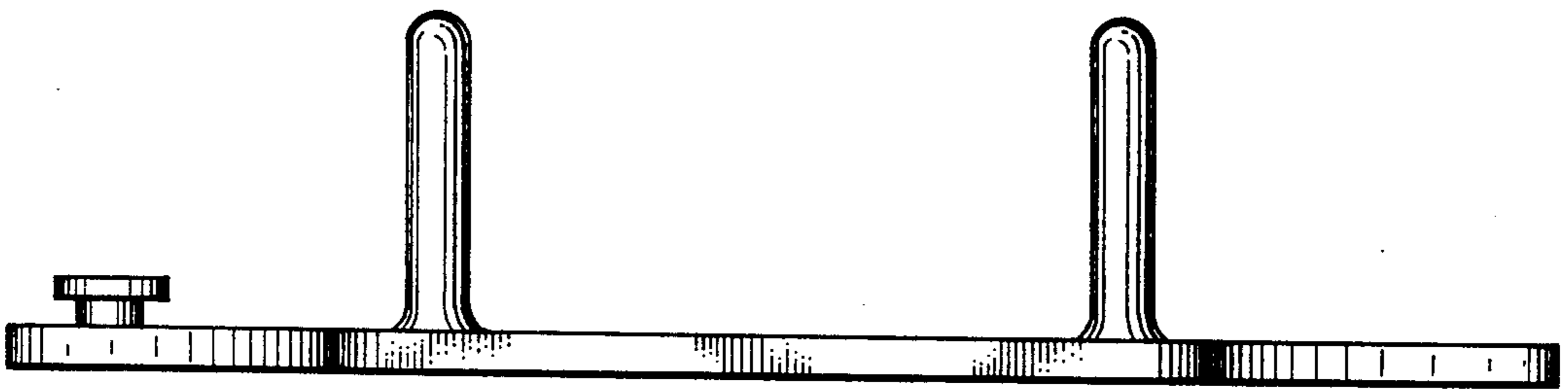


FIG. 3

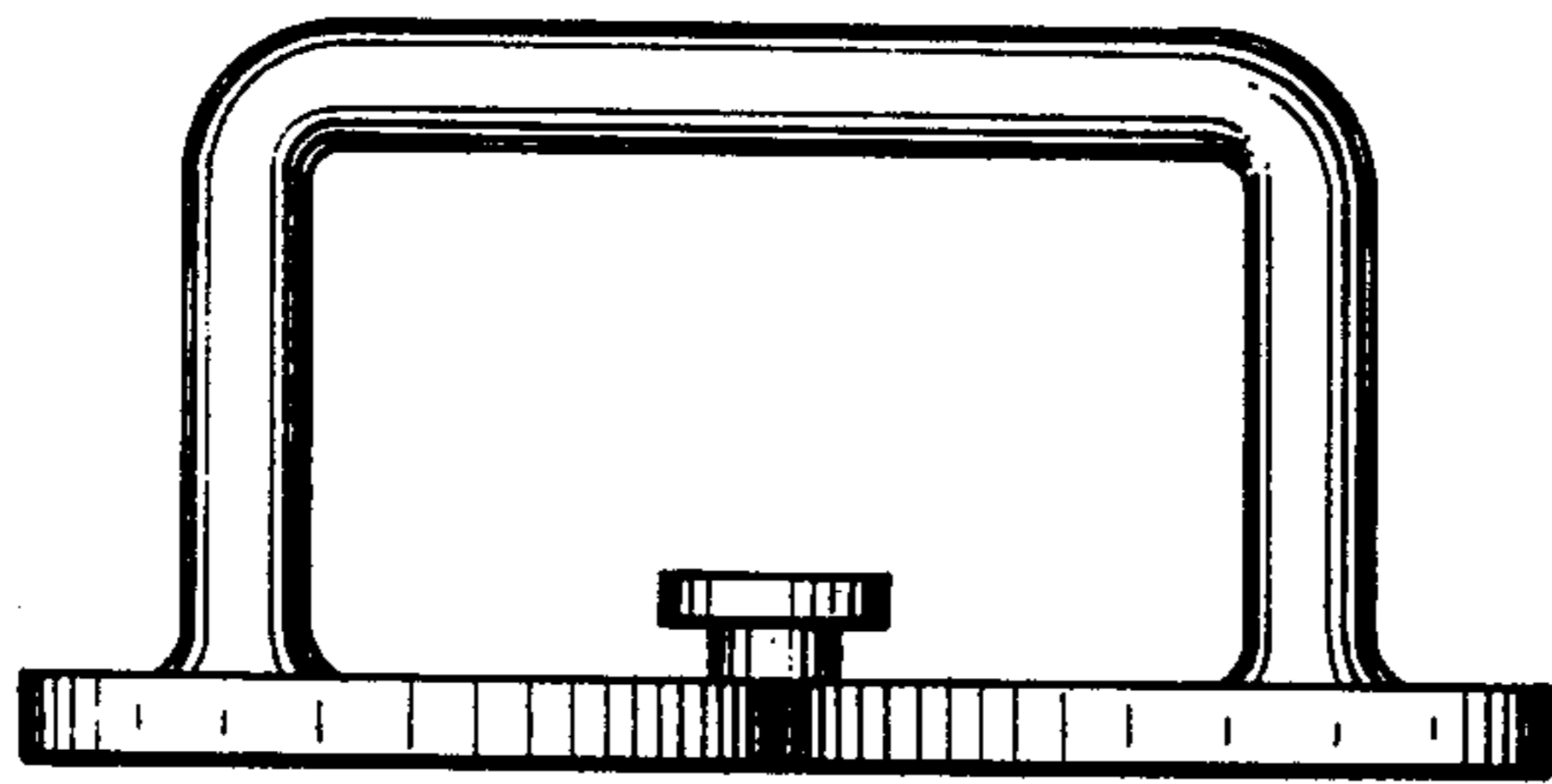


FIG. 4