

[54] STOVE

[76] Inventor: Theodore Abraham, 126 Gloucester St., Cornwall, Ontario, K6H 3W4, Canada

[\*\*] Term: 14 Years

[21] Appl. No.: 896,260

[22] Filed: Apr. 14, 1978

[51] Int. Cl. .... D23-03

[52] U.S. Cl. .... D23/97

[58] Field of Search .... D23/72, 93-97, D23/105, 106, 107, 118, 119, 127; 126/120, 121, 123, 126, 130, 135, 136, 141, 58, 60-66

[56]

References Cited

U.S. PATENT DOCUMENTS

D. 251,501 4/1979 Peterman ..... D23/97  
4,121,560 10/1978 Knight ..... 126/63

Primary Examiner—Catherine E. Kemper  
Attorney, Agent, or Firm—Robert A. MacRae

[57]

CLAIM

The ornamental design for a stove, as shown and described.

DESCRIPTION

FIG. 1 is a front perspective view of a stove, showing my new design;

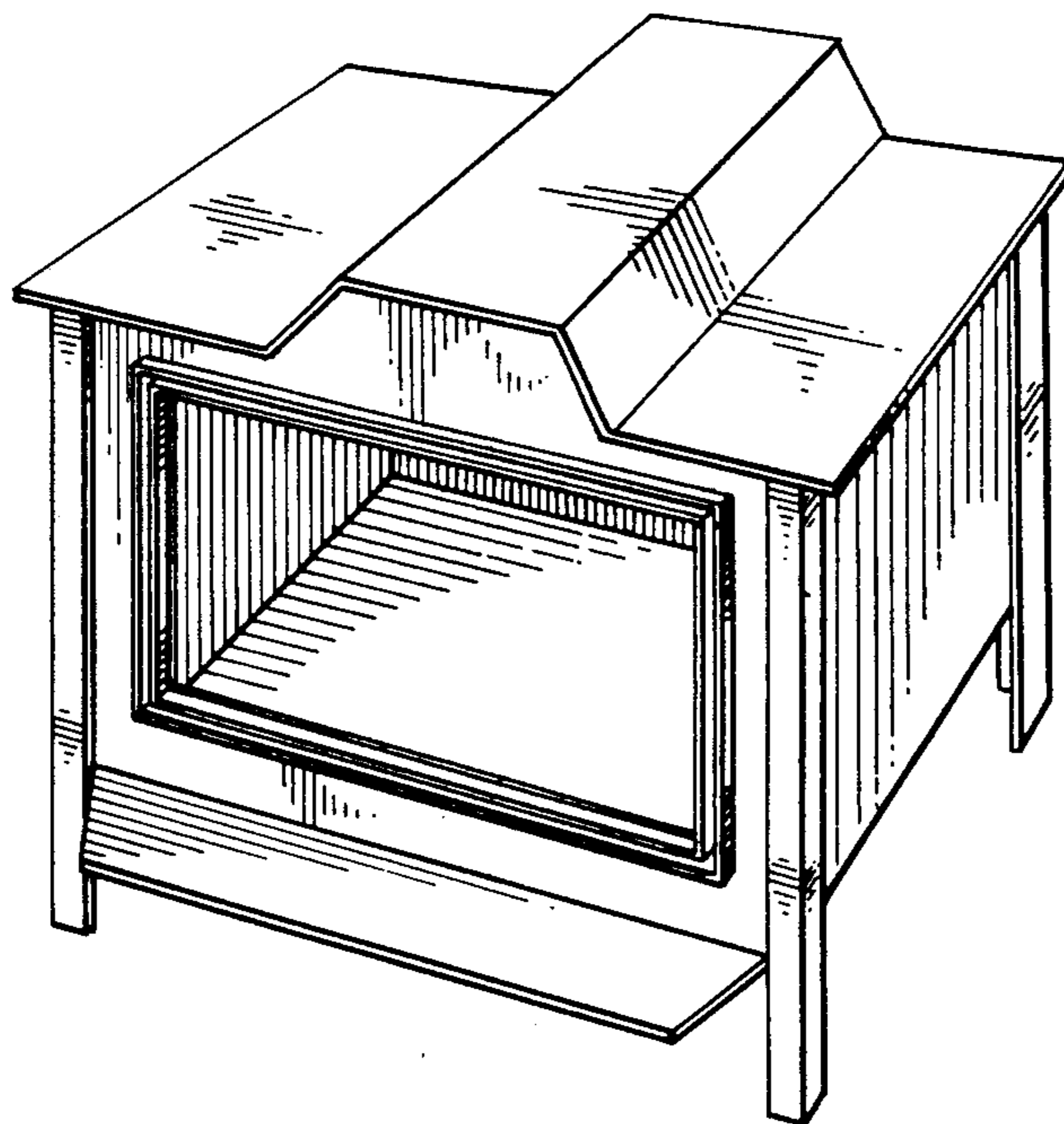
FIG. 2 is a top plan view thereof shown on a slightly smaller scale;

FIG. 3 is a front elevational view thereof;

FIG. 4 is a bottom plan view thereof;

FIG. 5 is a side elevational view thereof; and

FIG. 6 is a rear elevational view thereof.



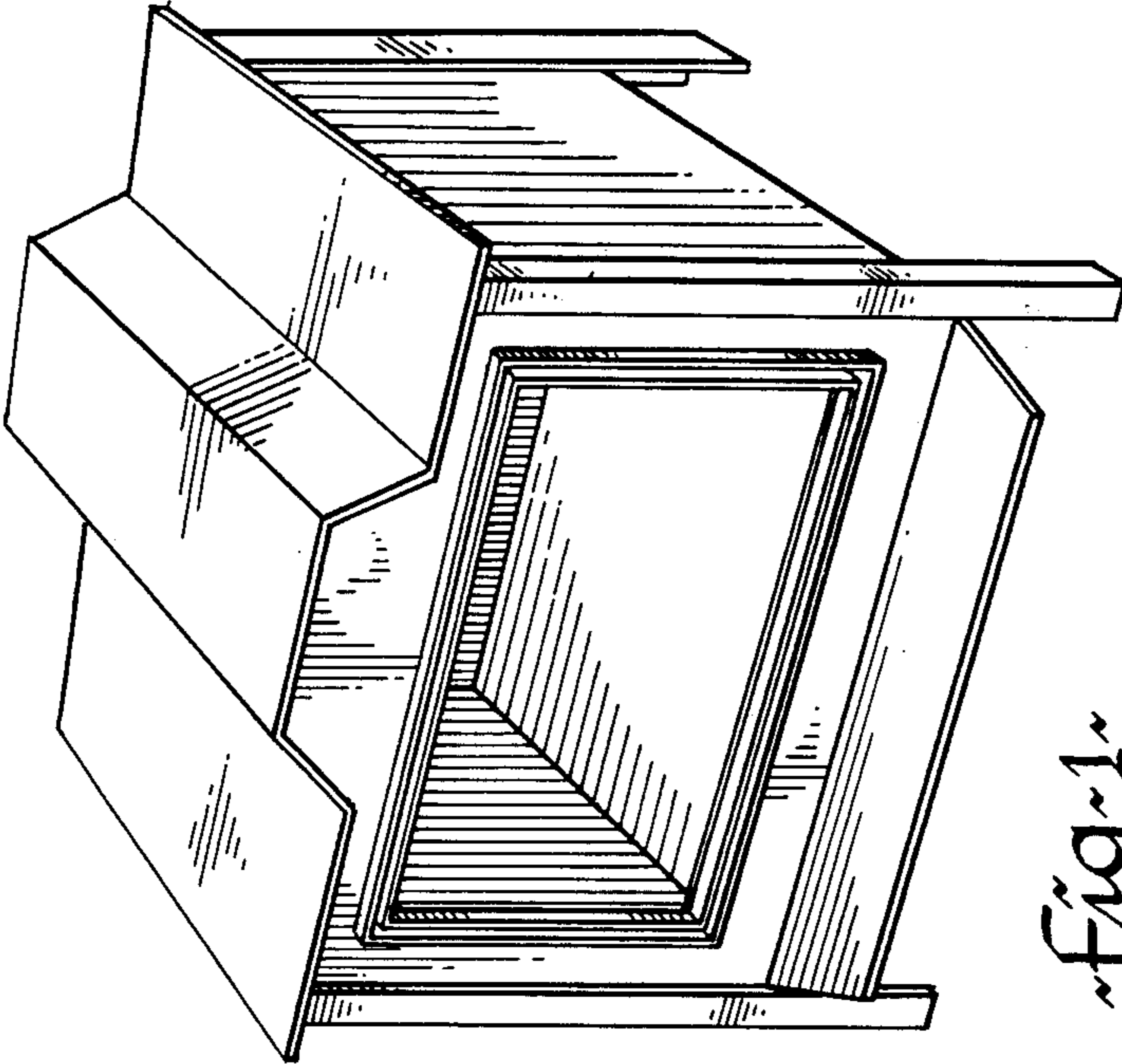


Fig. 1

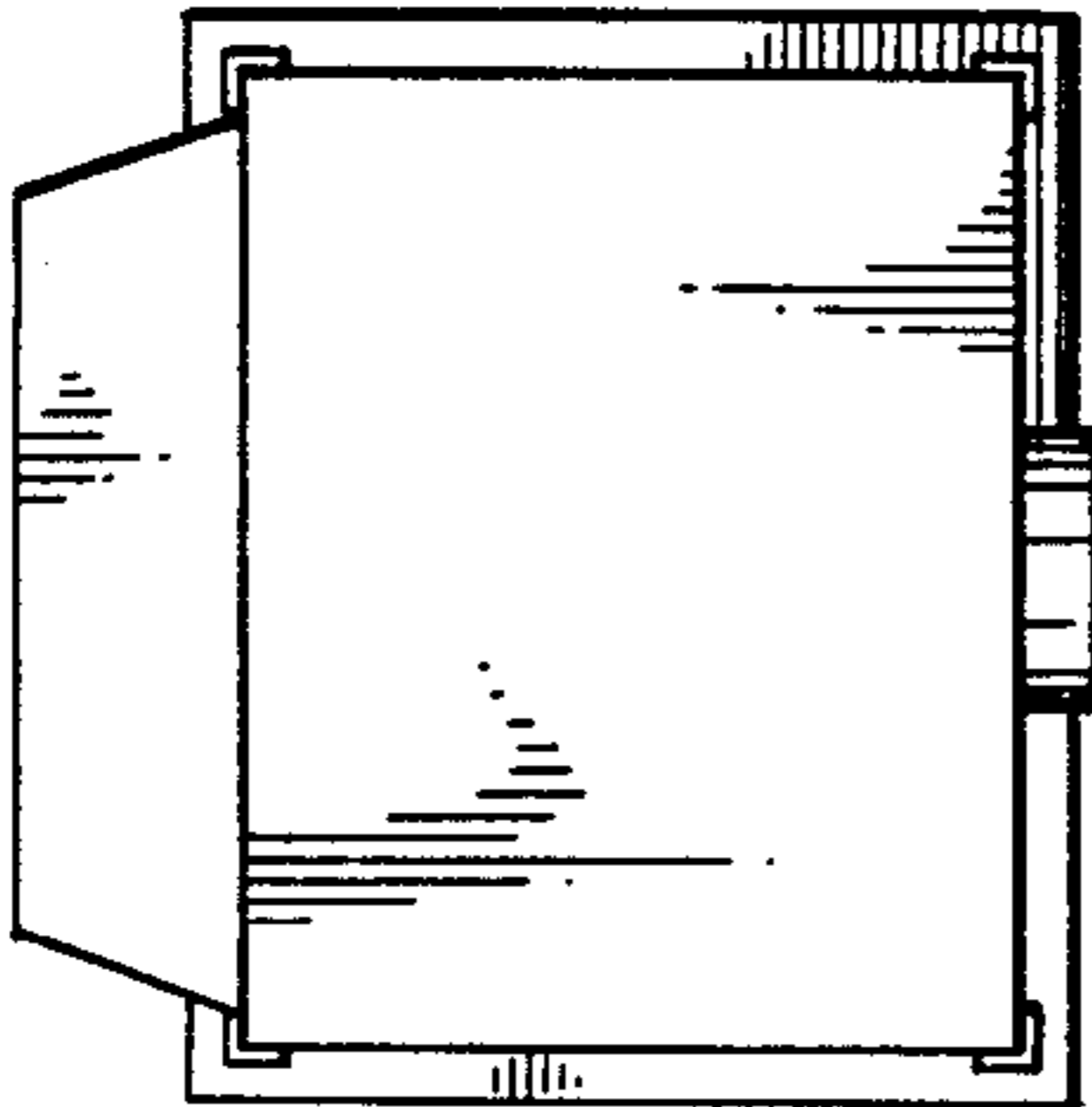


Fig. 4

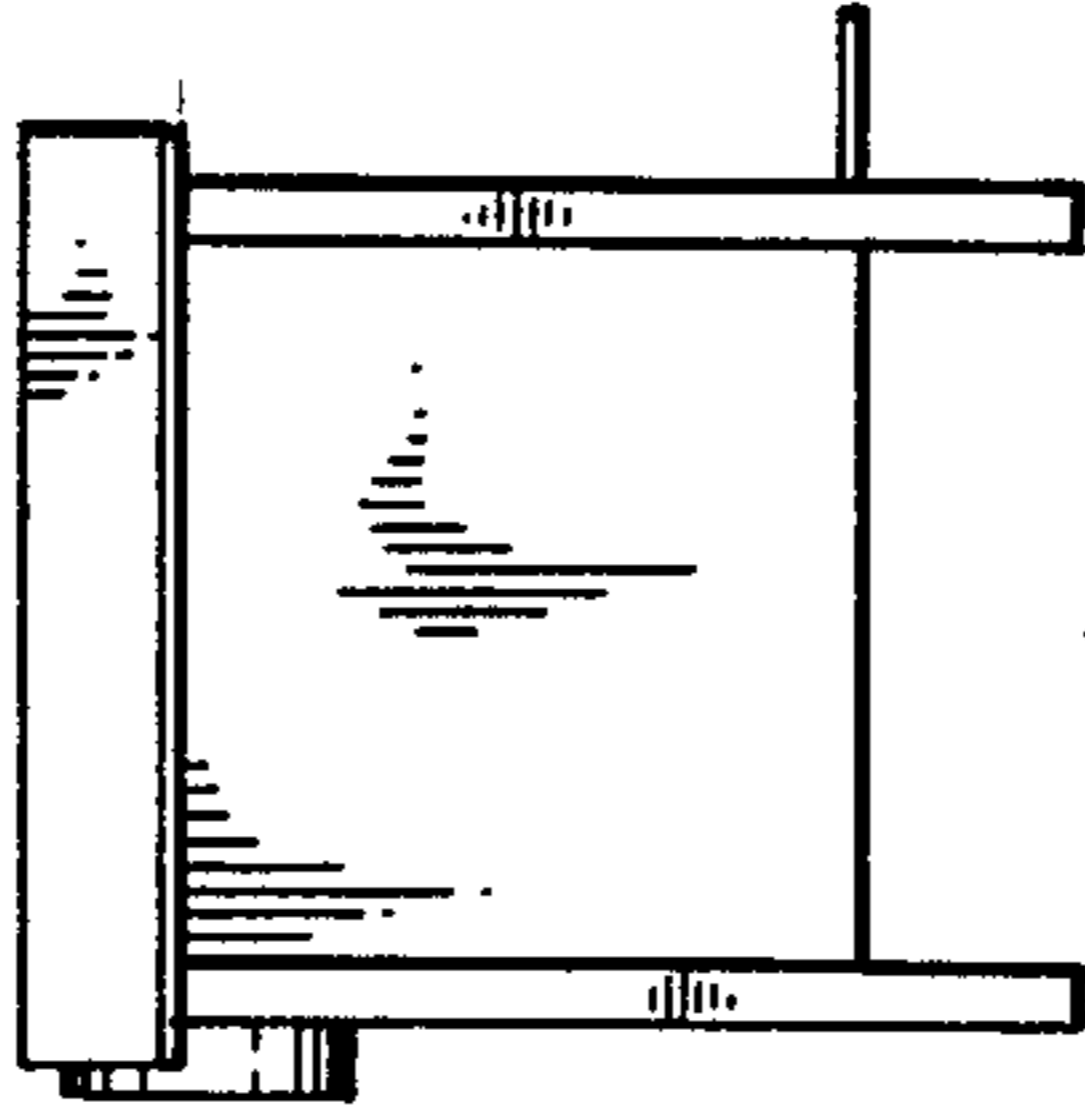


Fig. 5

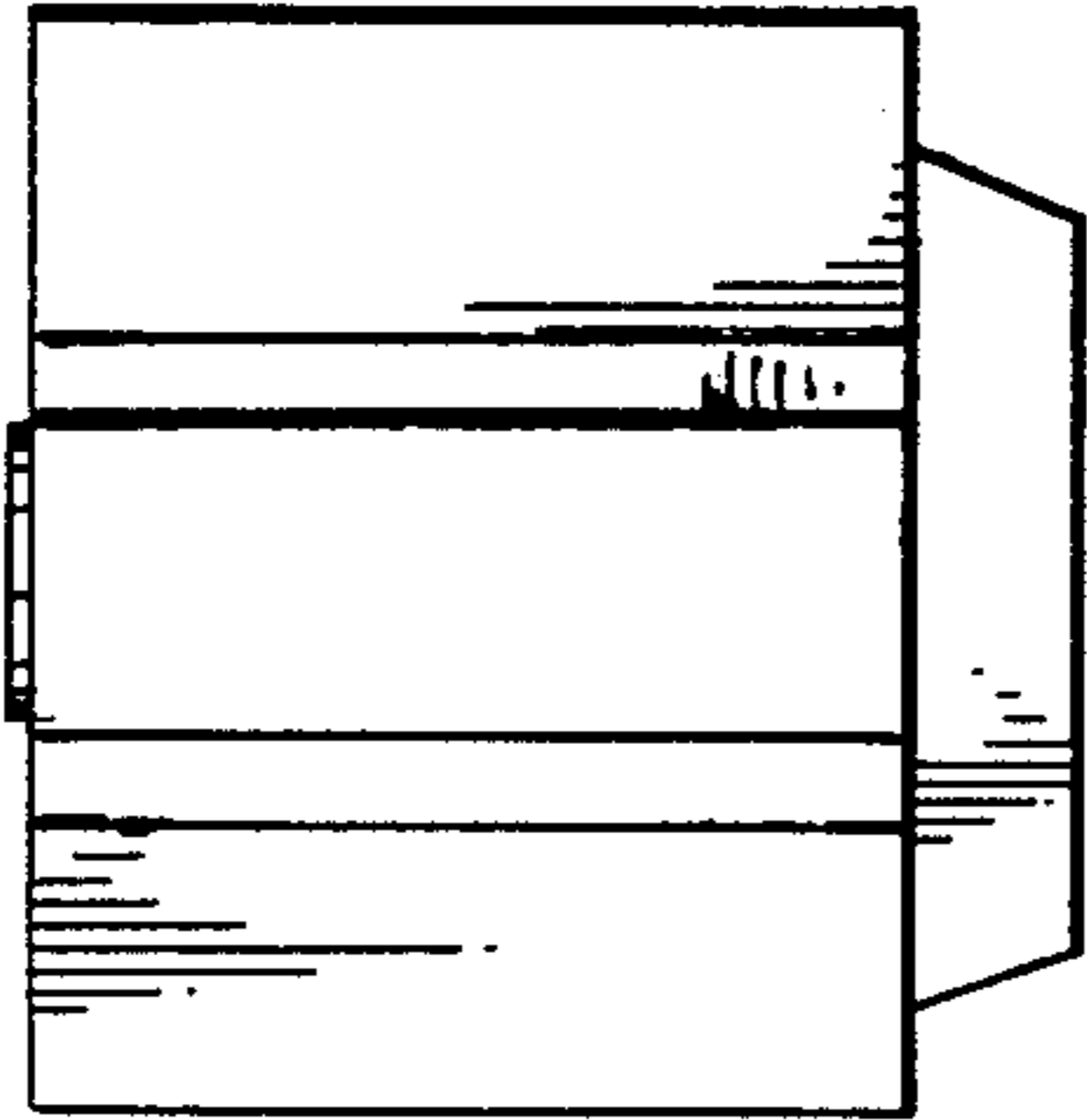


Fig. 2

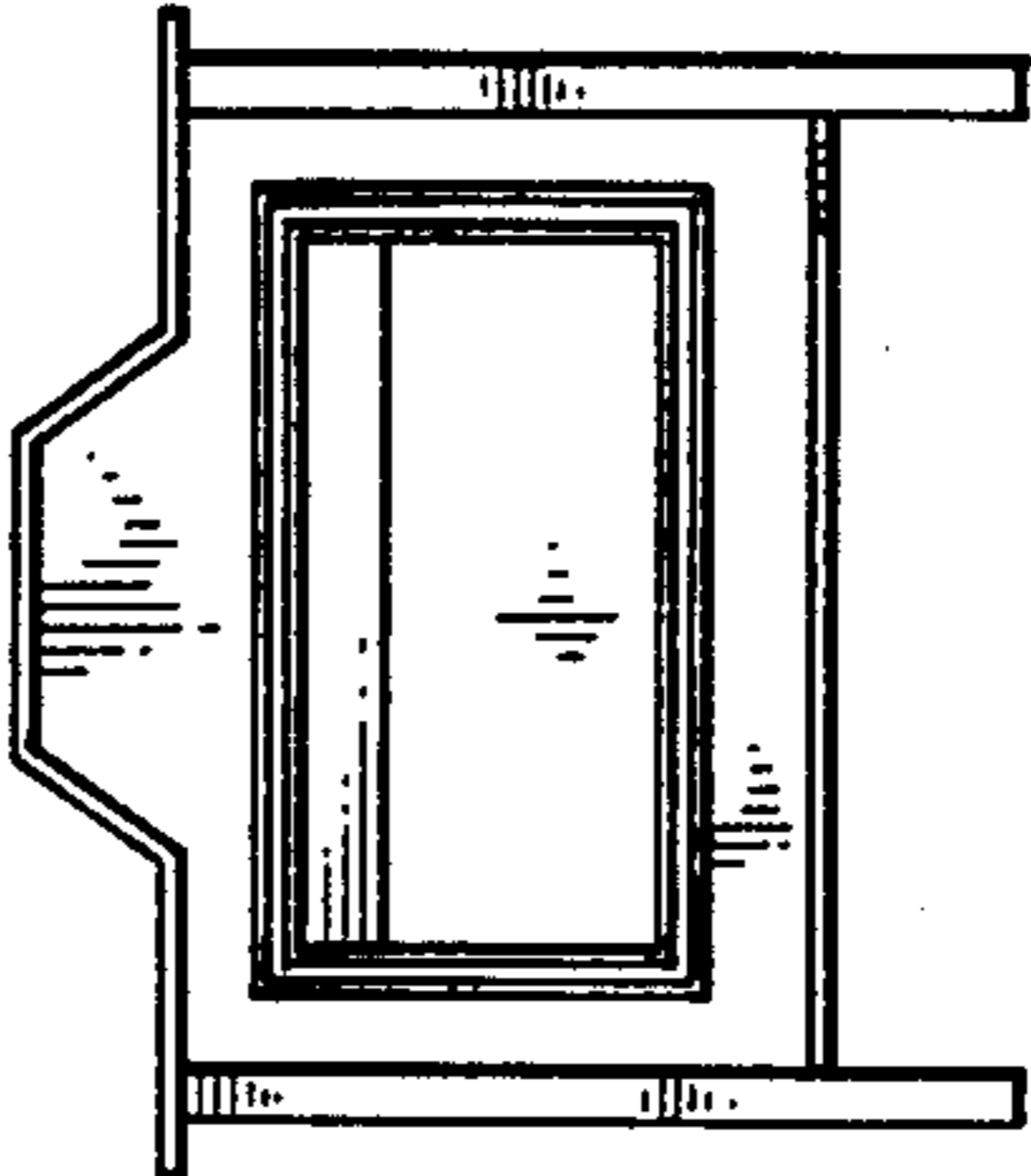
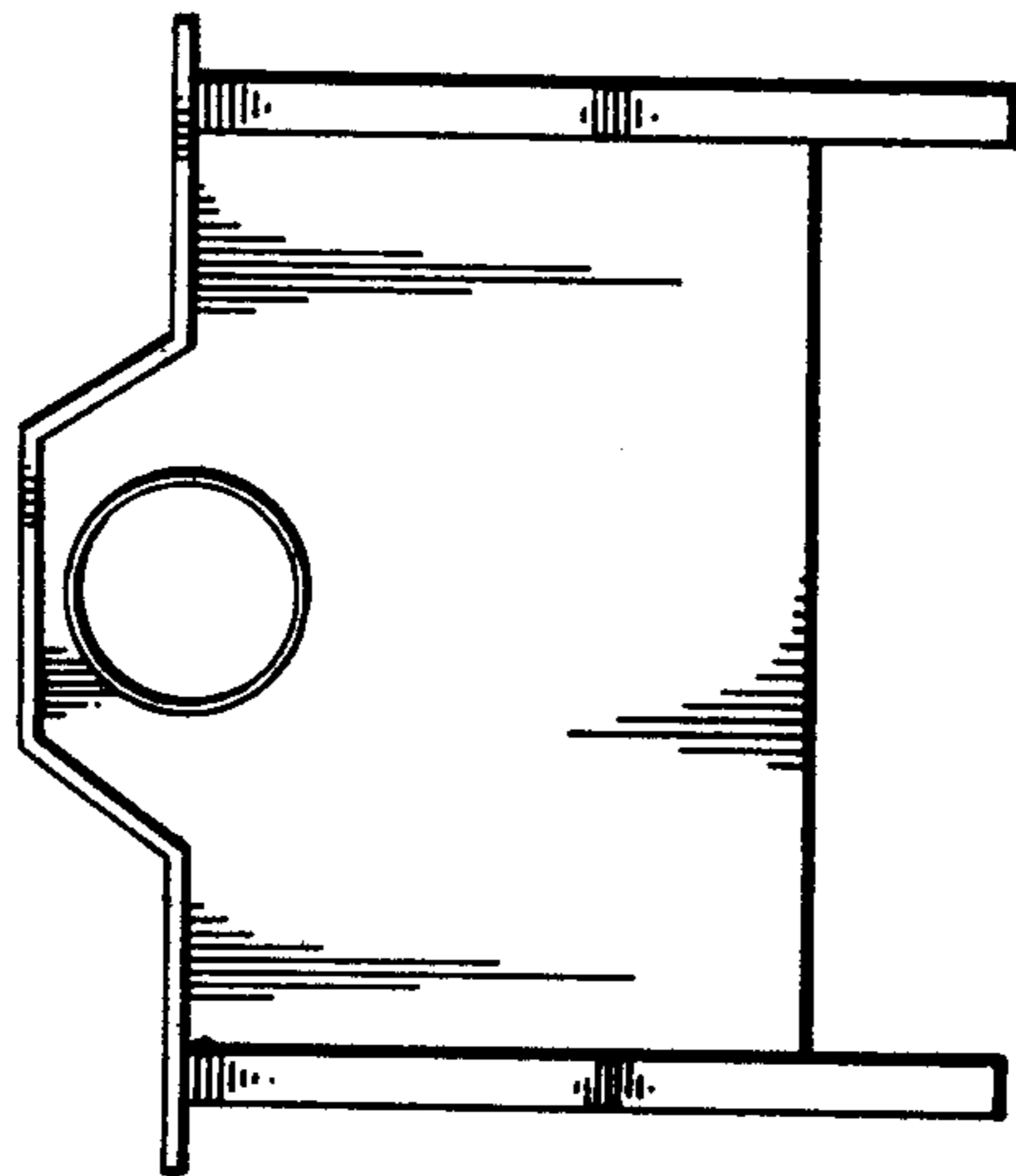


Fig. 3



*Fig. 6*