

[54] FIREPLACE HEATER

[56]

References Cited

U.S. PATENT DOCUMENTS

[76] Inventor: Friedrich W. Heine, 577 Garfield, P.O. Box 10924, Eugene, Oreg. 97401

D. 191,999	12/1961	Haralson	D23/97
D. 247,718	4/1978	Peterman	D23/92
D. 250,541	12/1978	Chinn et al.	D23/97
D. 251,501	4/1979	Peterman	D23/97

[**] Term: 14 Years

Primary Examiner—Catherine E. Kemper
Attorney, Agent, or Firm—Klarquist, Sparkman, et al.

[21] Appl. No.: 894,621

[57] CLAIM

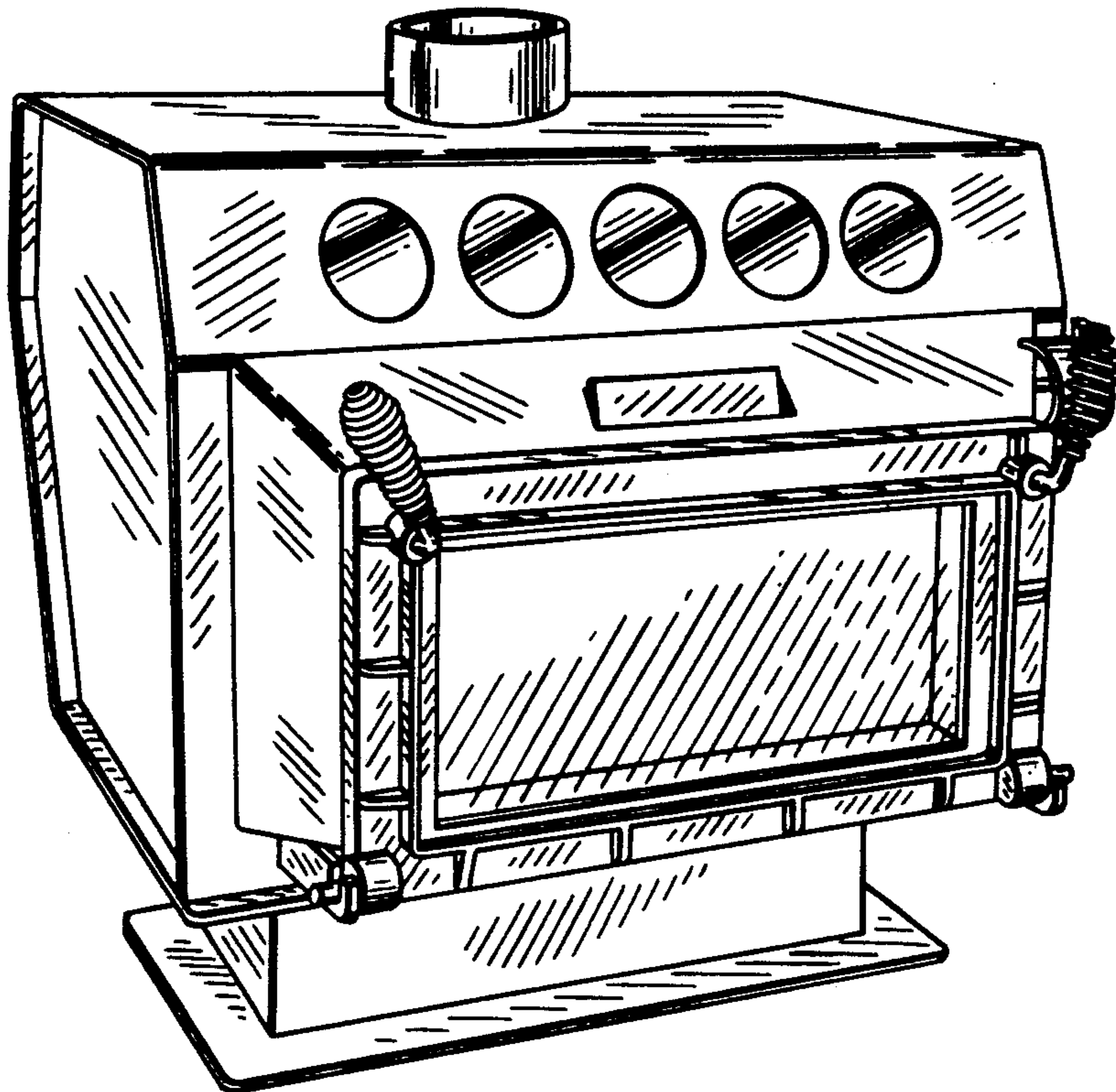
The ornamental design for a fireplace heater, as shown.

[22] Filed: Apr. 10, 1978

DESCRIPTION

- [51] Int. Cl. D23—03
- [52] U.S. Cl. D23/97
- [58] Field of Search D23/72, 93-97, D23/105, 106, 107, 118, 119, 127; 126/4, 6, 120, 121, 123, 126, 130, 135, 136, 141, 58, 60-66

FIG. 1 is a perspective view of a fireplace heater showing my new design;
FIG. 2 is a left side elevational view thereof;
FIG. 3 is a right side elevational view thereof;
FIG. 4 is a rear elevational view thereof;
FIG. 5 is a front elevational view thereof;
FIG. 6 is a rear elevational view thereof; and
FIG. 7 is a bottom plan view thereof.



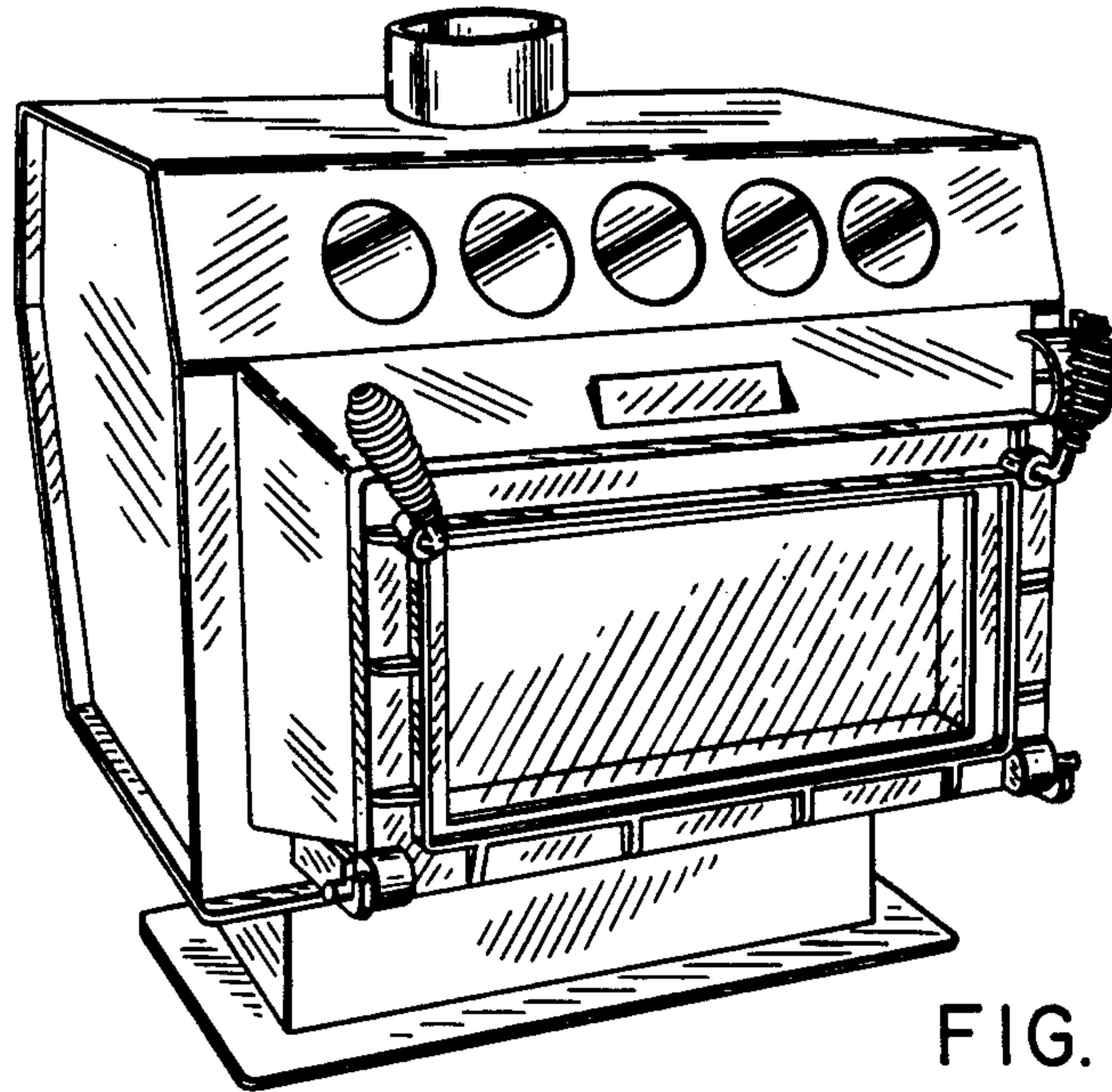


FIG. 1

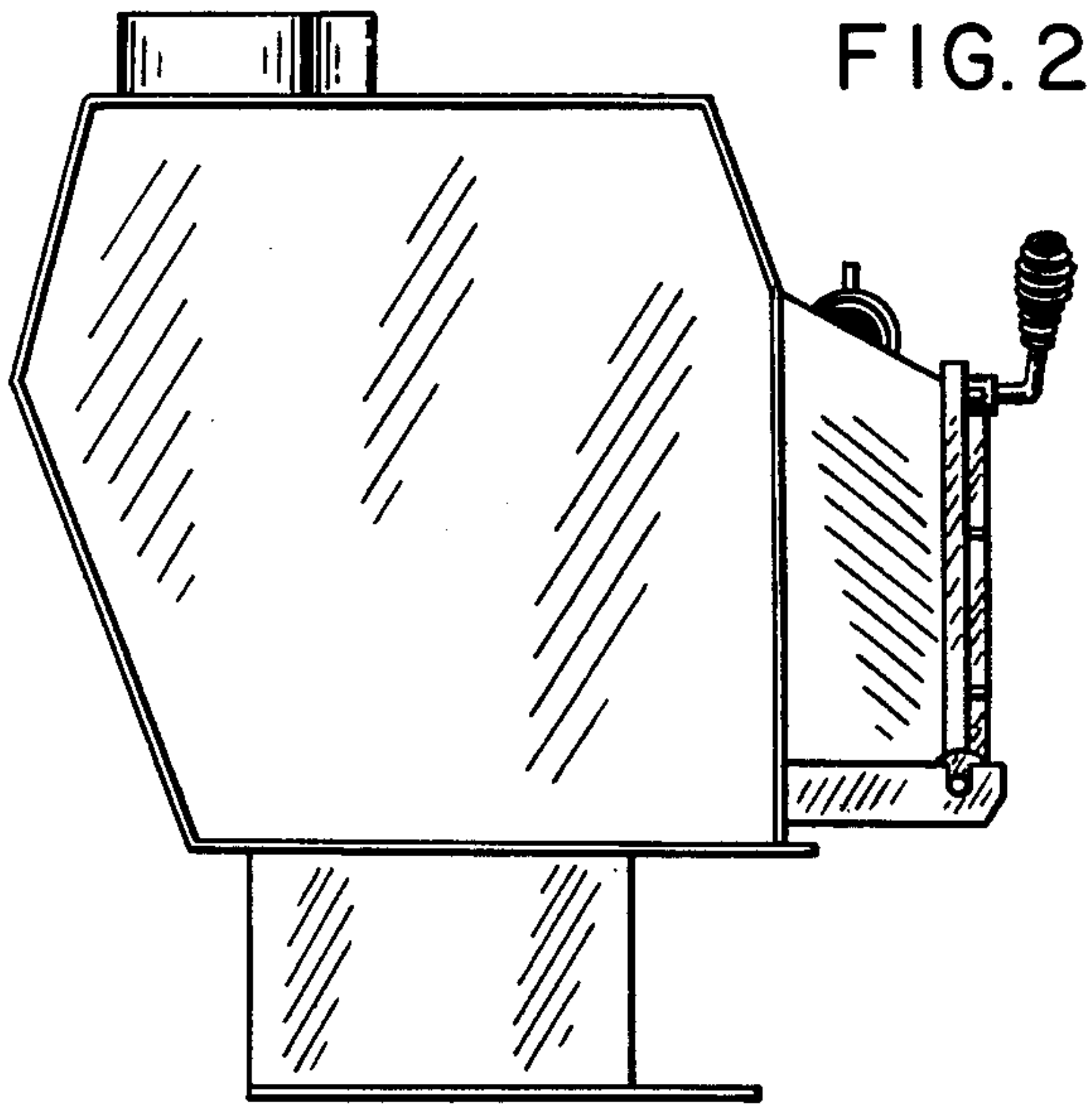


FIG. 2

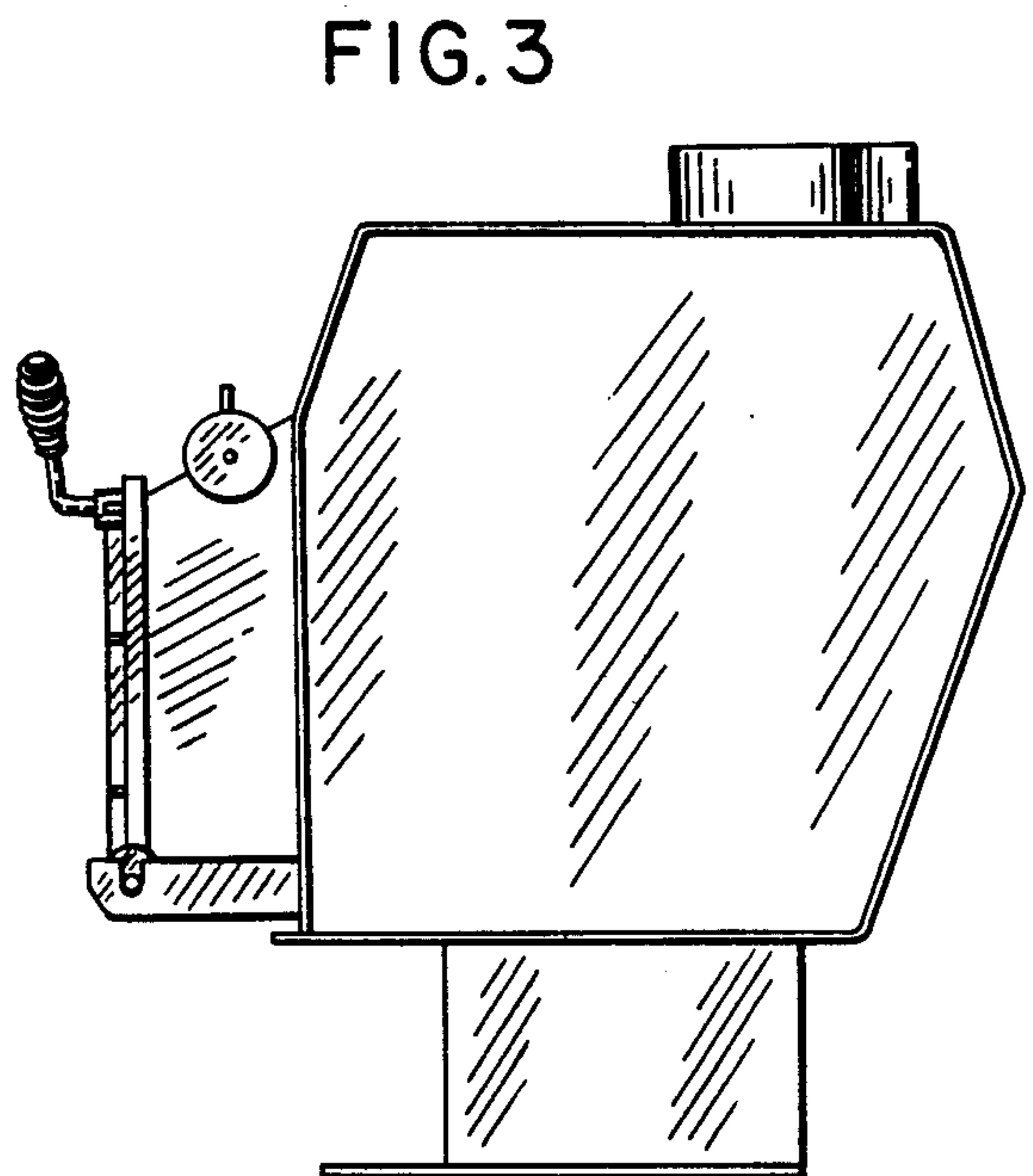


FIG. 3

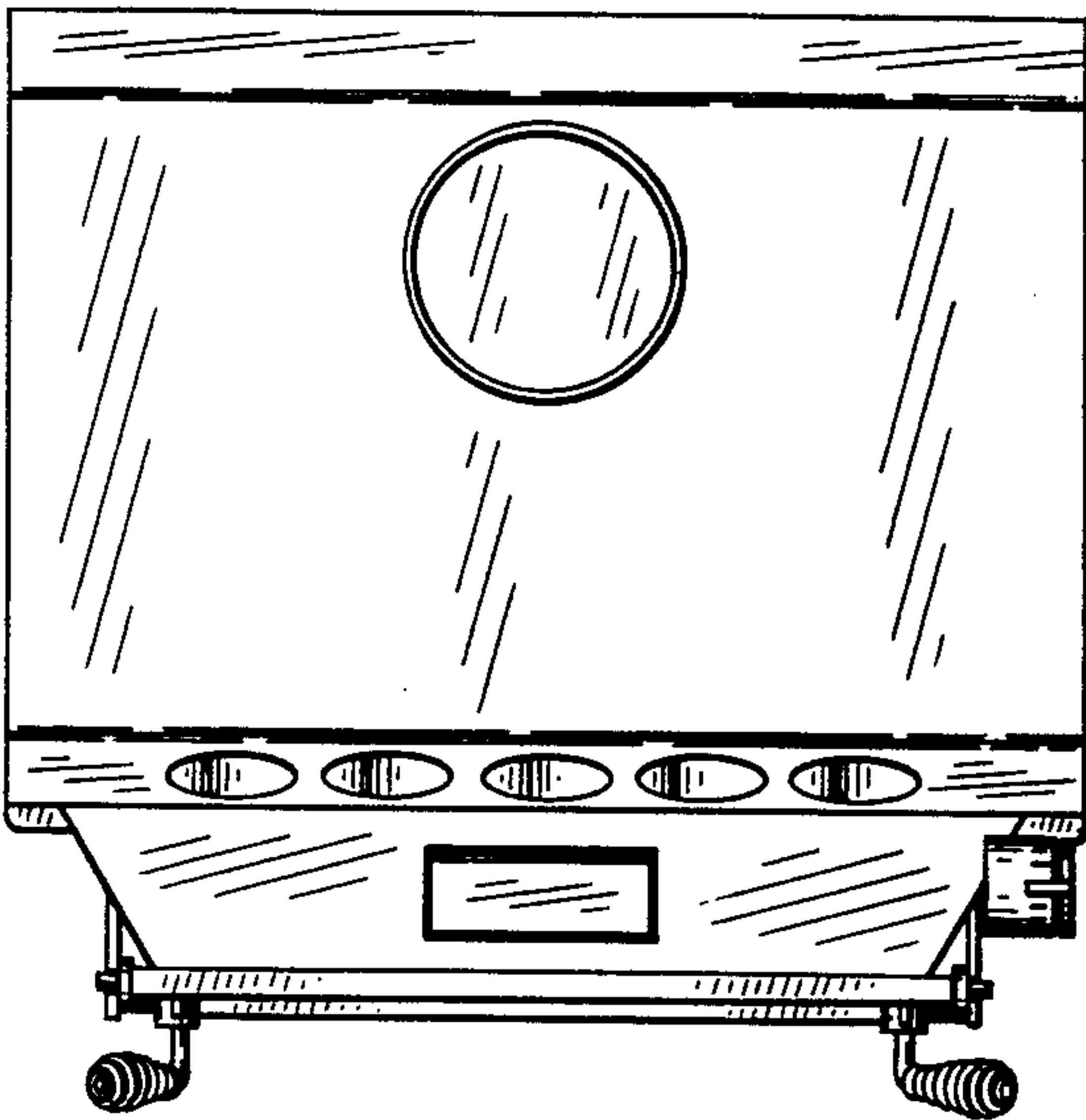


FIG. 4

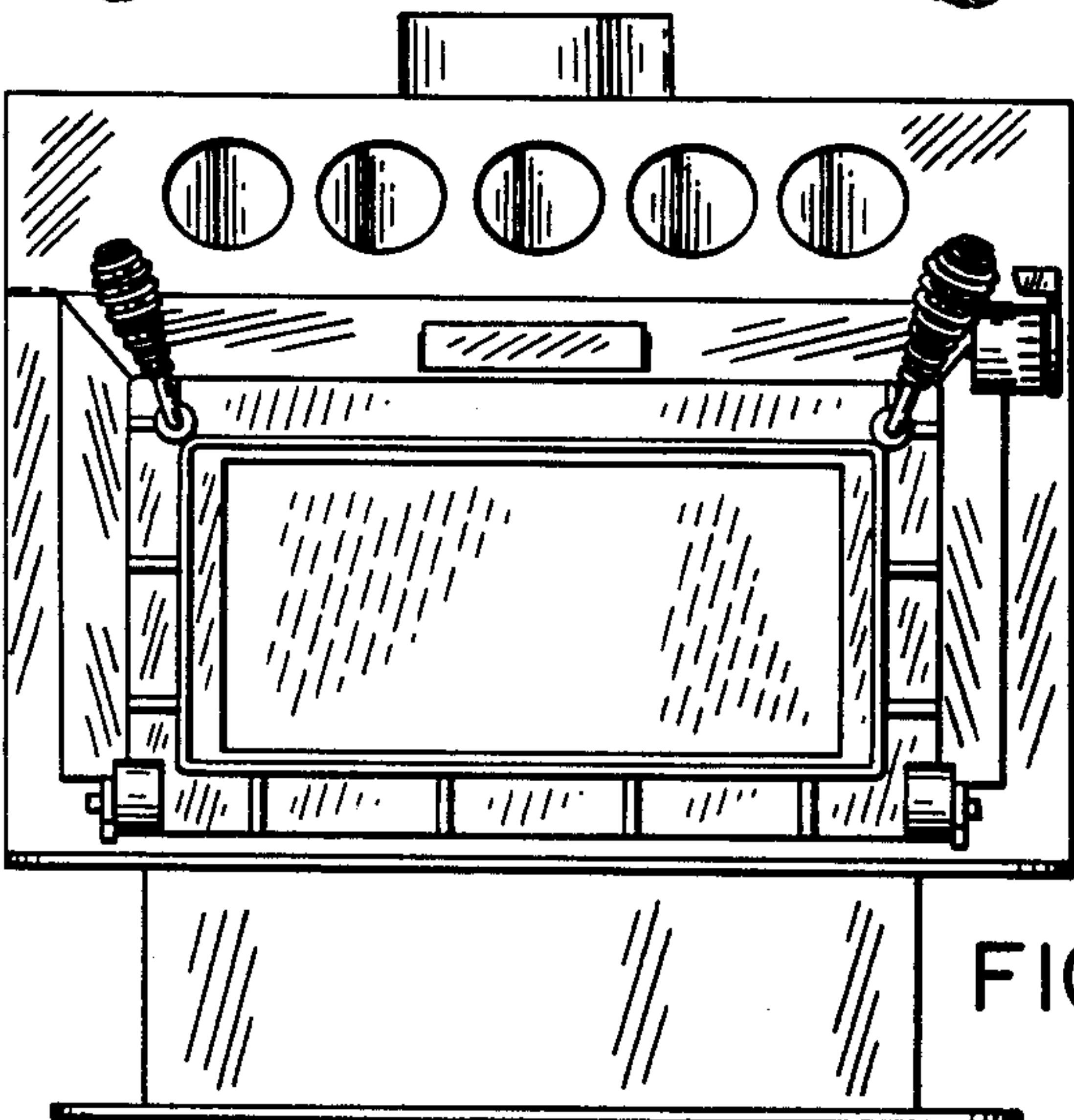


FIG. 5

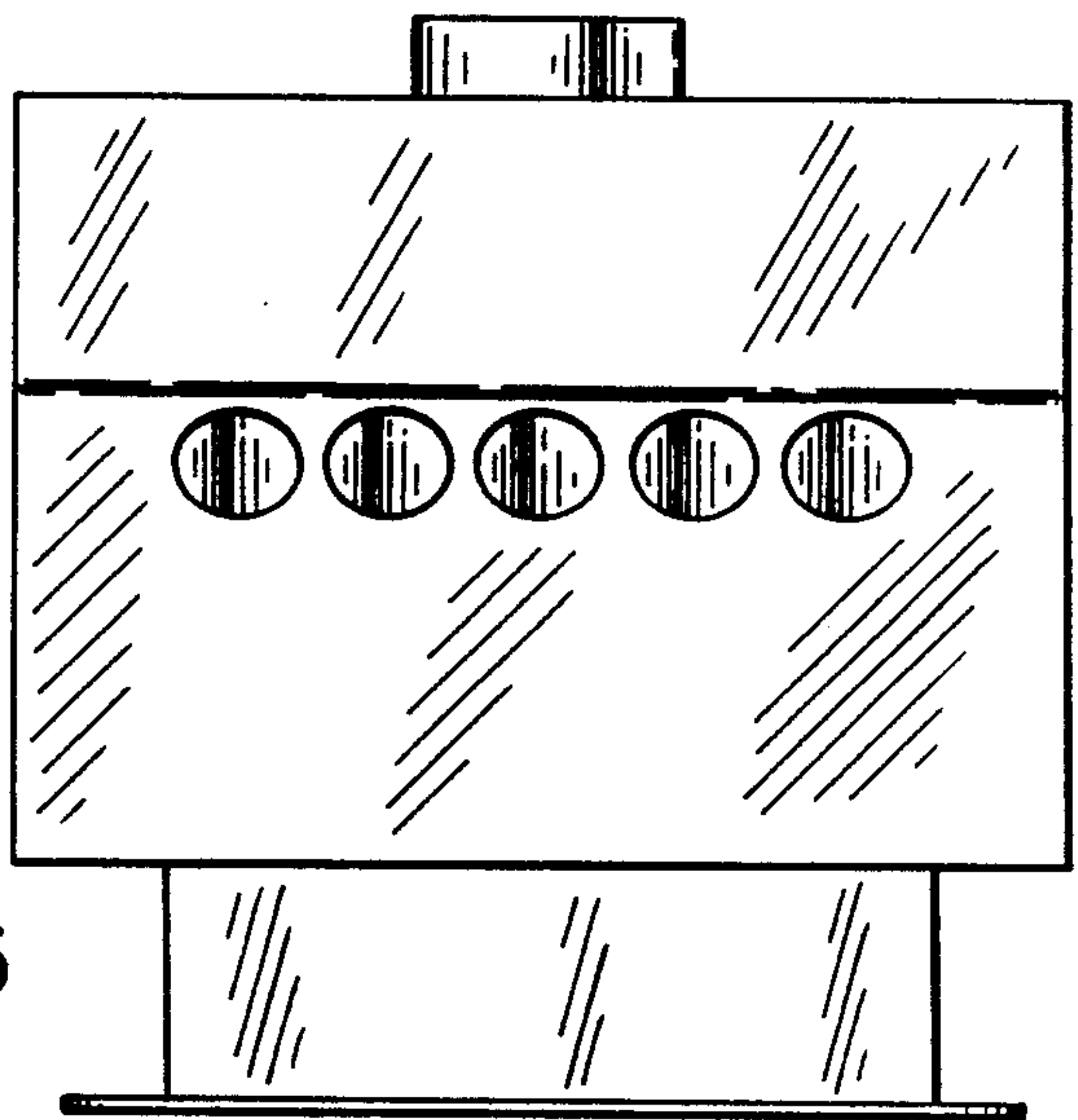


FIG. 6

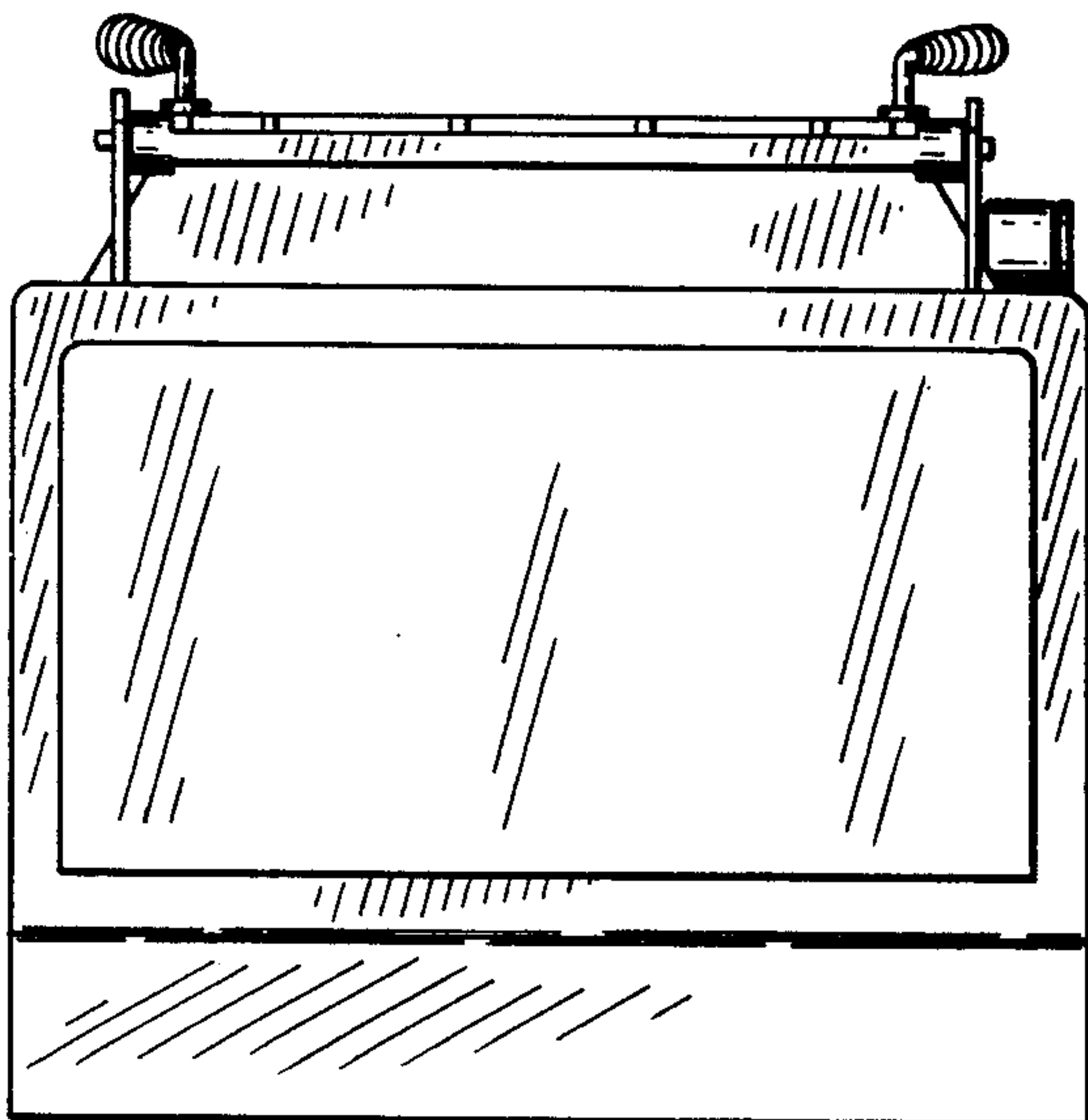


FIG. 7