

[54] FRAME FOR A SHOWER DOOR

[75] Inventor: Nicholas J. Obradovits, St. Louis, Mo.

[73] Assignee: Shower Enclosure Service Company, St. Louis, Mo.

[\*\*] Term: 14 Years

[21] Appl. No.: 874,550

[22] Filed: Feb. 1, 1978

[51] Int. Cl. .... D23-02

[52] U.S. Cl. .... D23/69

[58] Field of Search ..... D23/69; 4/149, 153, 4/154, 173 R, 175

[56] References Cited

U.S. PATENT DOCUMENTS

D. 175,684	9/1955	Kellogg	.....	D23/69
D. 211,992	8/1968	Brenner	.....	D23/69
2,747,200	5/1956	Finkel	.....	4/148
2,756,438	7/1956	Soberman	.....	4/149
2,911,654	11/1959	Bruno	.....	4/149
3,359,573	12/1967	Casebolt	.....	4/149
3,591,867	7/1971	Bernstein	.....	4/149 X
3,864,760	2/1975	Bowen	.....	4/146
3,896,508	7/1975	Doan	.....	4/149
4,112,525	9/1978	Roberts	.....	4/149 X
4,152,790	5/1979	Obradovits	.....	4/149

Primary Examiner—James R. Largen  
Attorney, Agent, or Firm—Michael E. Godar

[57] CLAIM

The ornamental design for a frame for a shower door, substantially as shown and described.

DESCRIPTION

FIG. 1 is a front elevational view of a frame for a shower door showing my new design;  
 FIG. 2 is a rear elevational view thereof;  
 FIG. 3 is a top plan view thereof;  
 FIG. 4 is an enlarged bottom plan view thereof, with a center portion omitted for convenience of illustration;  
 FIG. 5 is a right end elevational view thereof, the left end being a mirror image of the right end shown;  
 FIG. 6 is an enlarged fragmentary cross sectional view taken on line 6—6 of FIG. 1;  
 FIG. 7 is an enlarged fragmentary cross sectional view taken on line 7—7 of FIG. 1;  
 FIG. 8 is an enlarged fragmentary cross sectional view taken on line 8—8 of FIG. 1;  
 FIG. 9 is an enlarged cross sectional view taken on line 9—9 of FIG. 1; and  
 FIG. 10 is a fragmentary bottom plan view thereof, the top frame member being omitted for convenience of illustration.  
 The broken line representation of a bathtub enclosure in FIG. 1 is for purposes of illustration only.

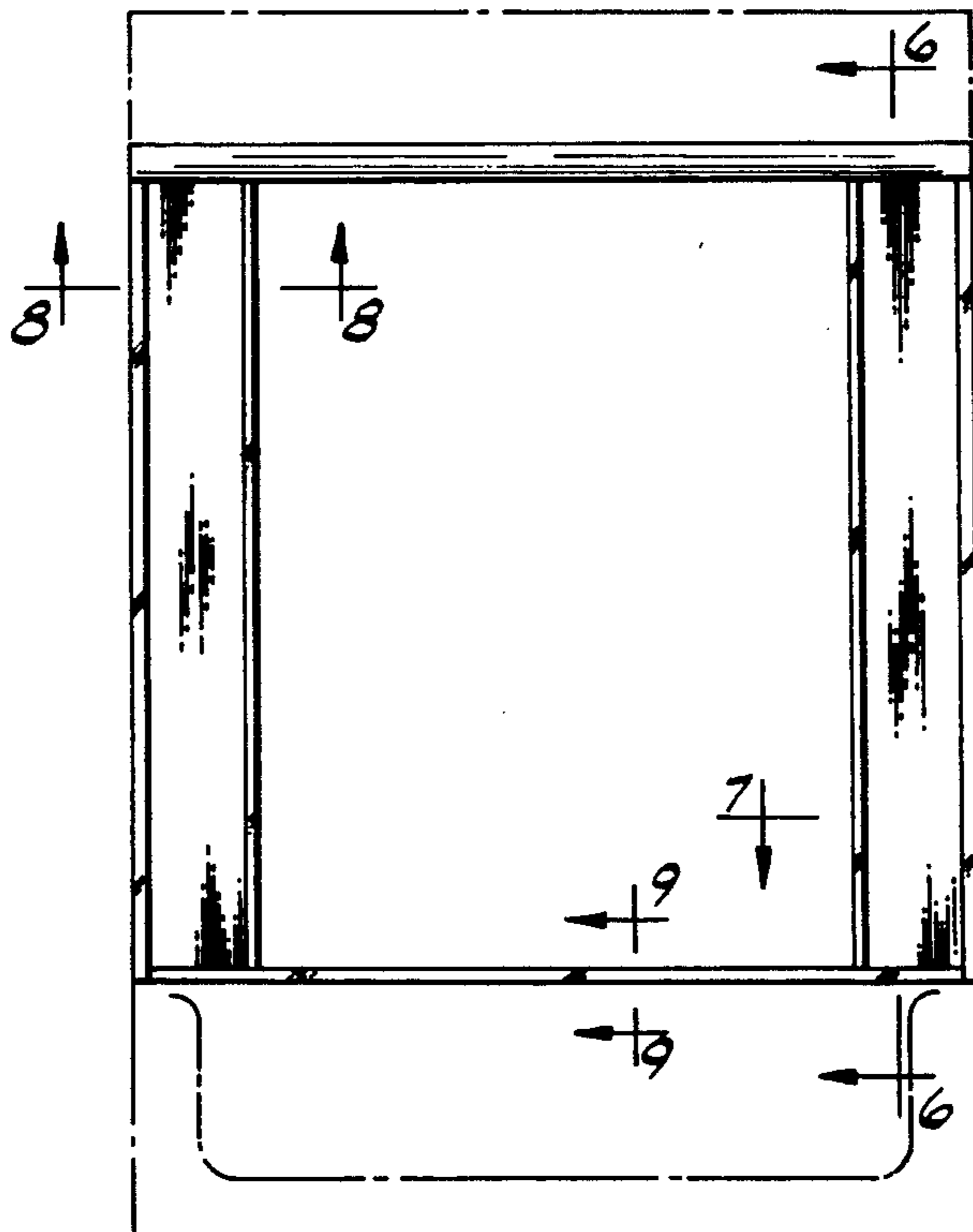


FIG. 1

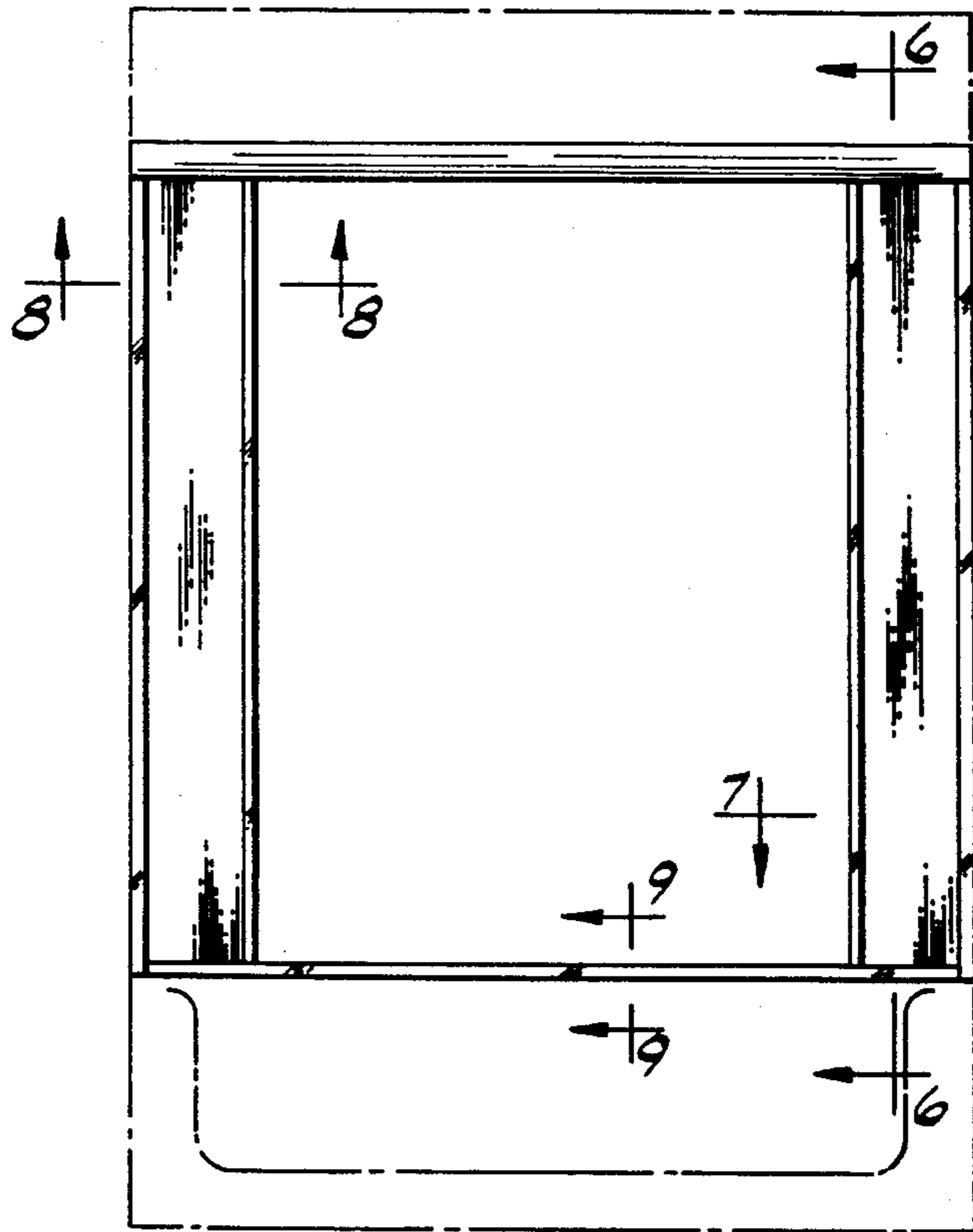


FIG. 5

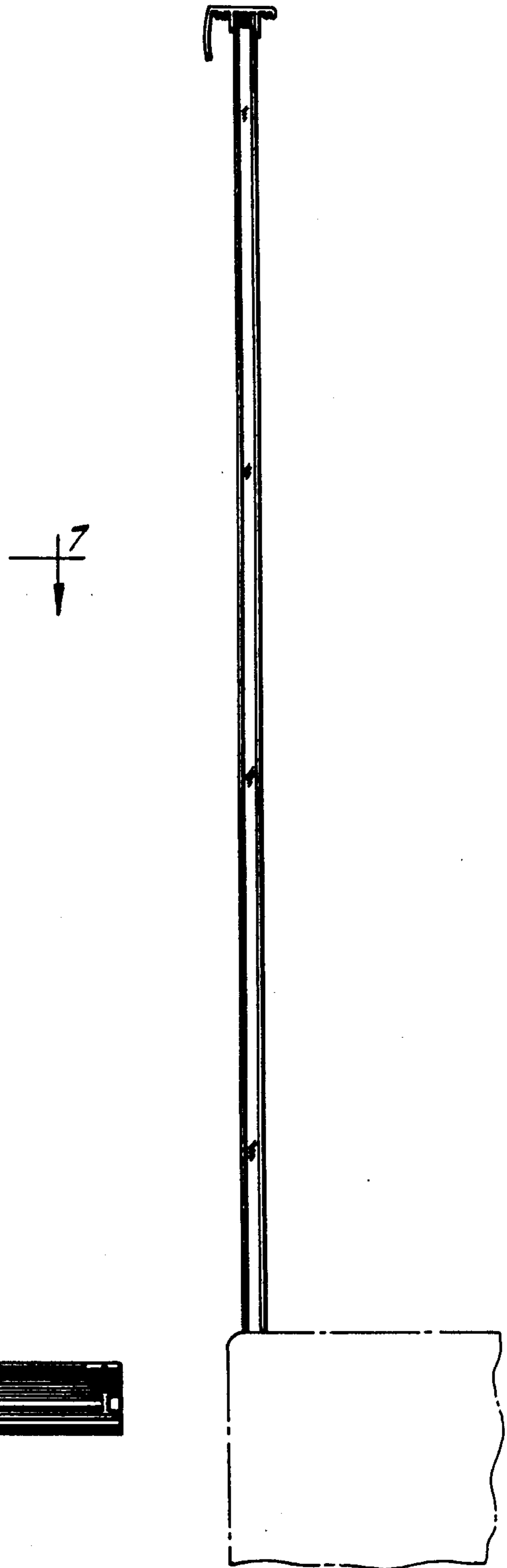


FIG. 3

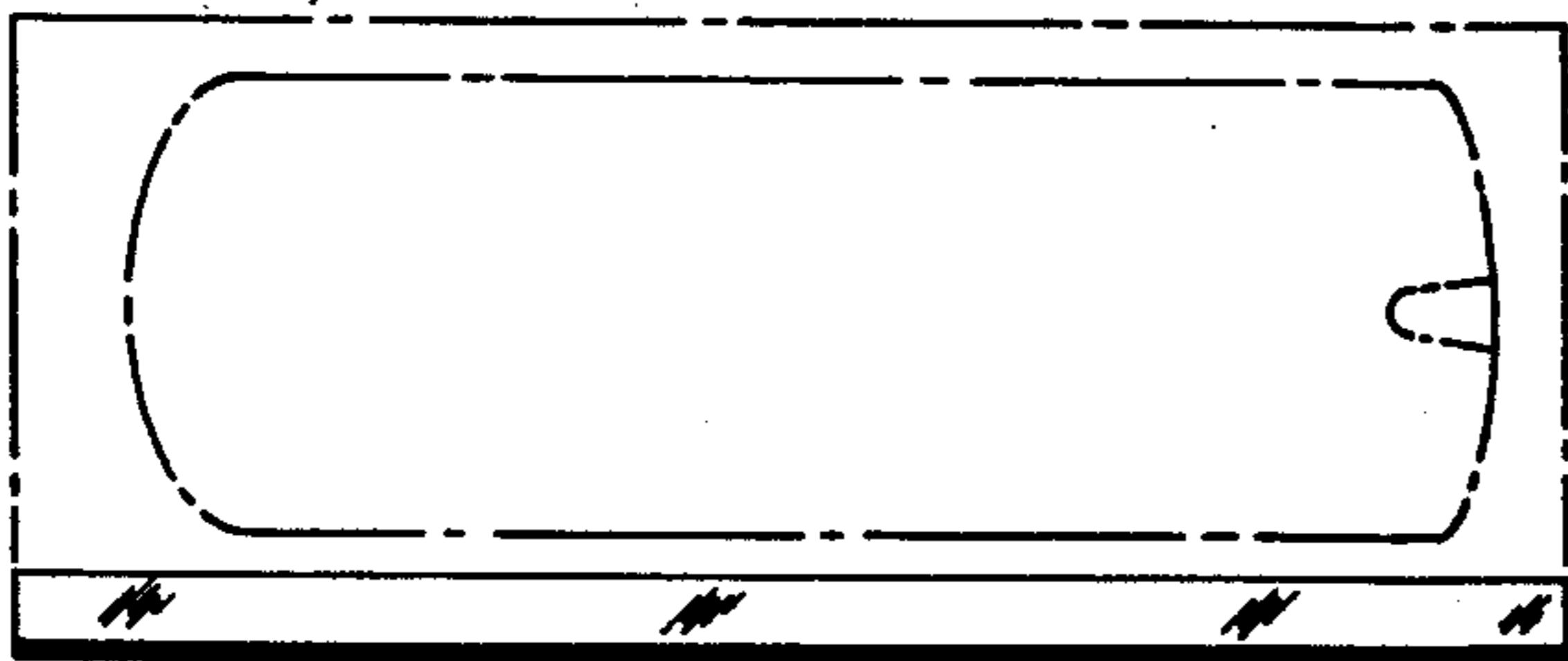


FIG. 4



FIG. 2

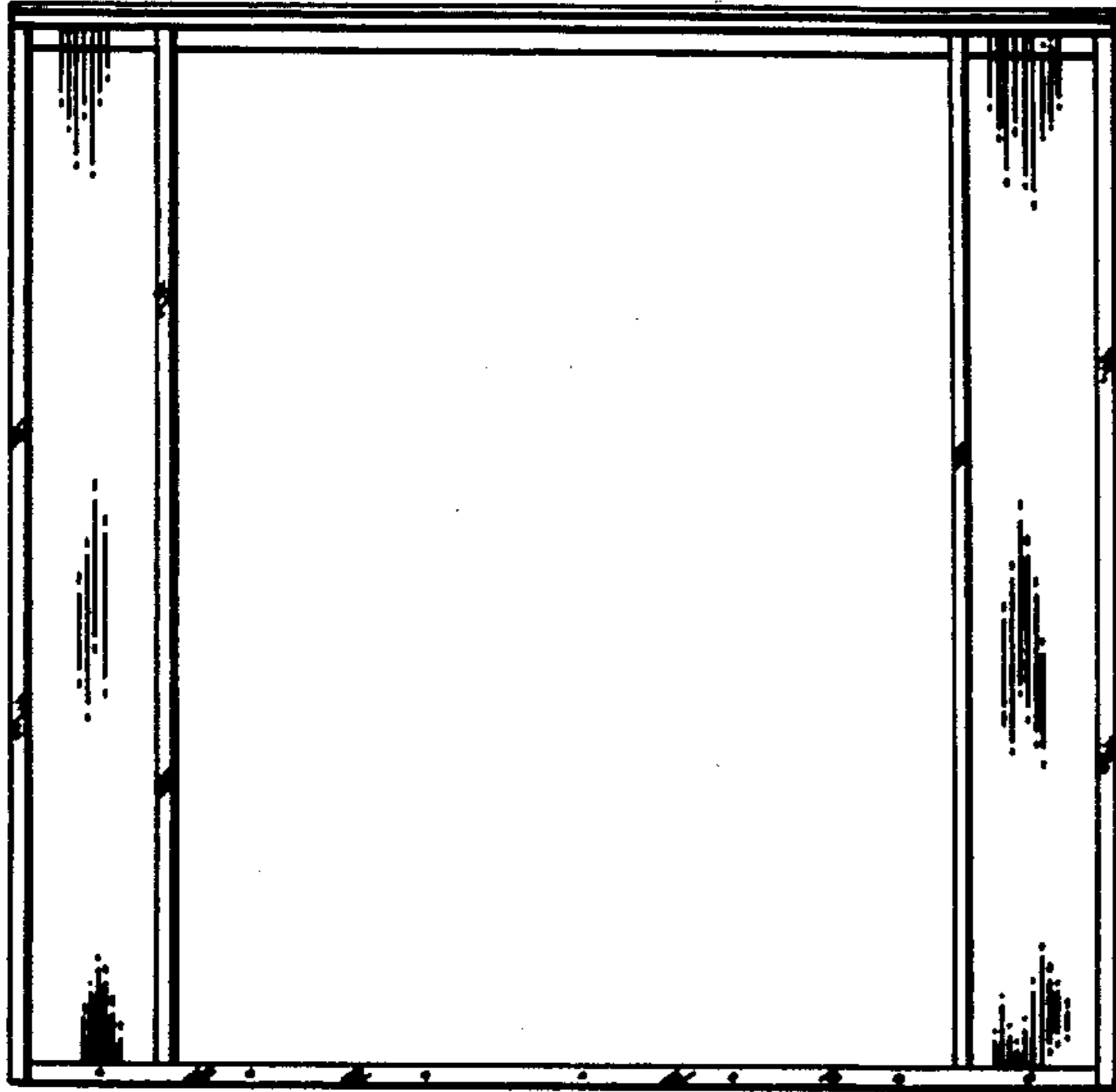


FIG. 7

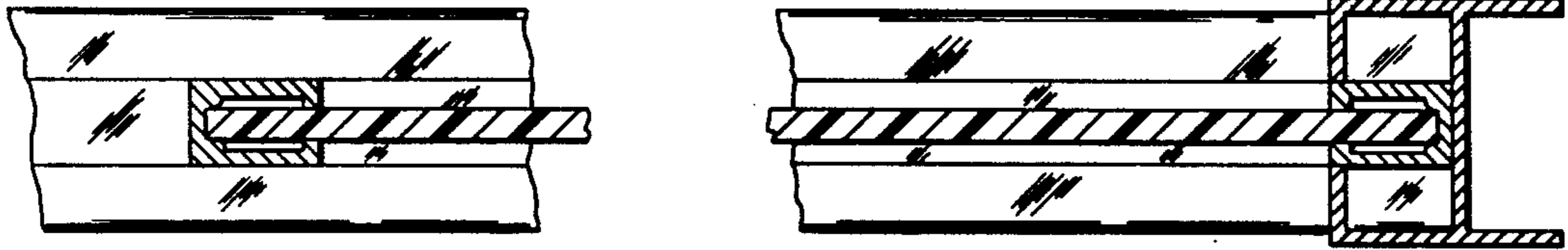


FIG. 8

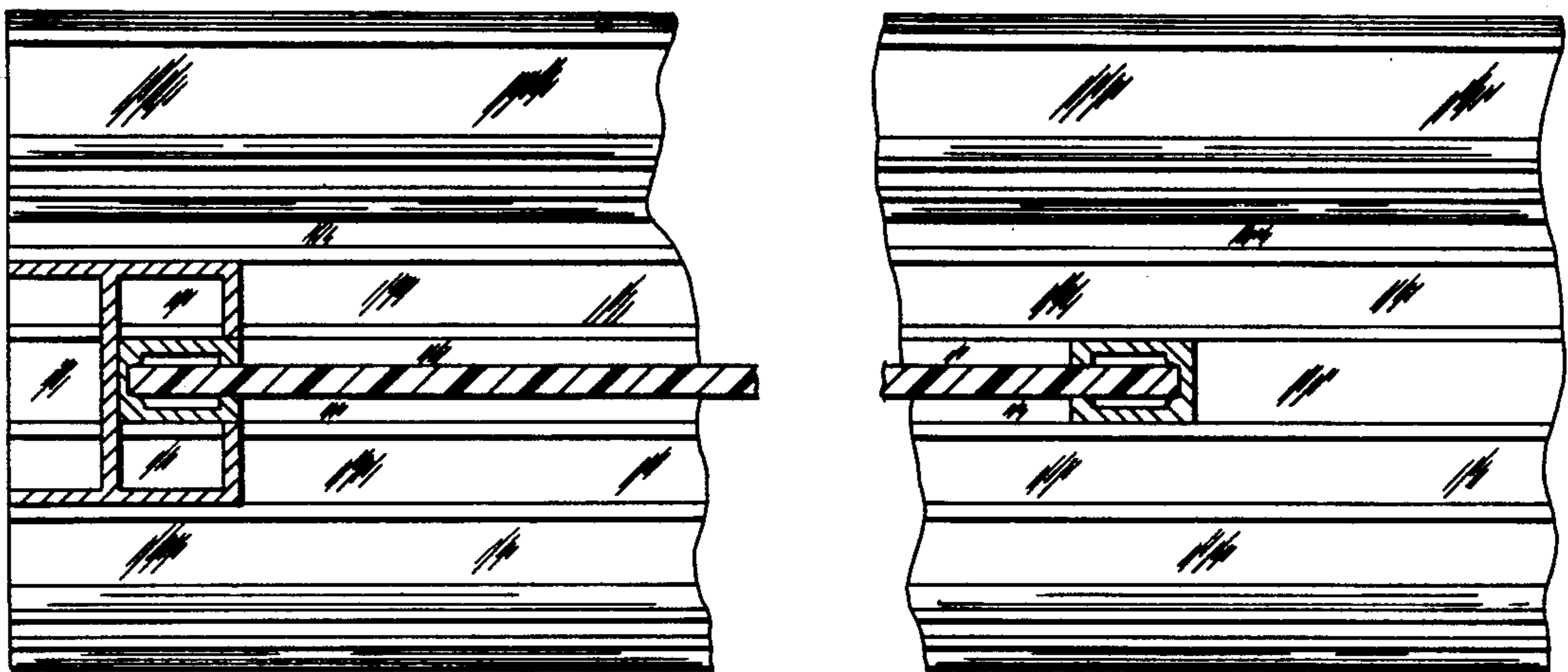


FIG. 6

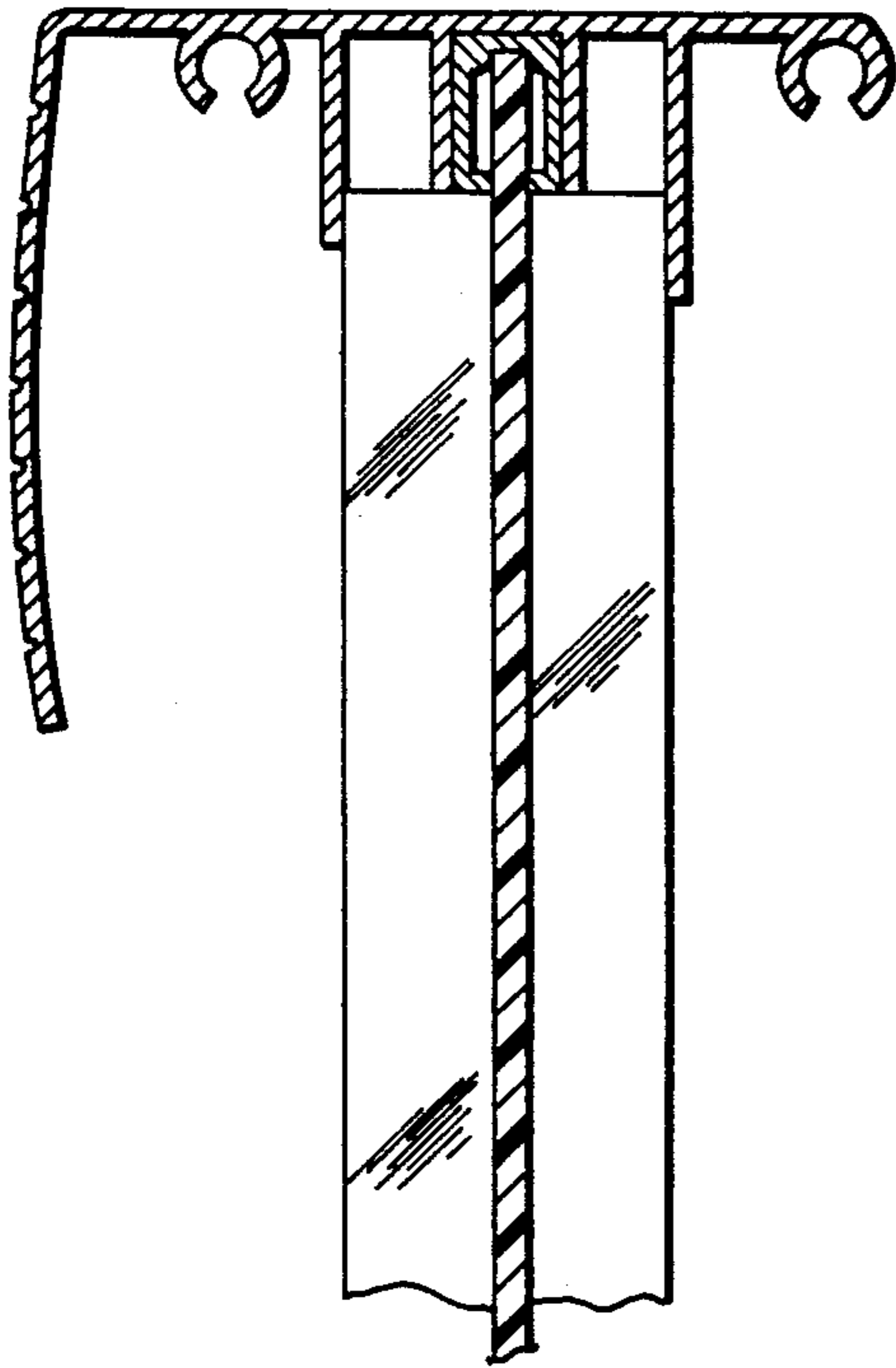


FIG. 9

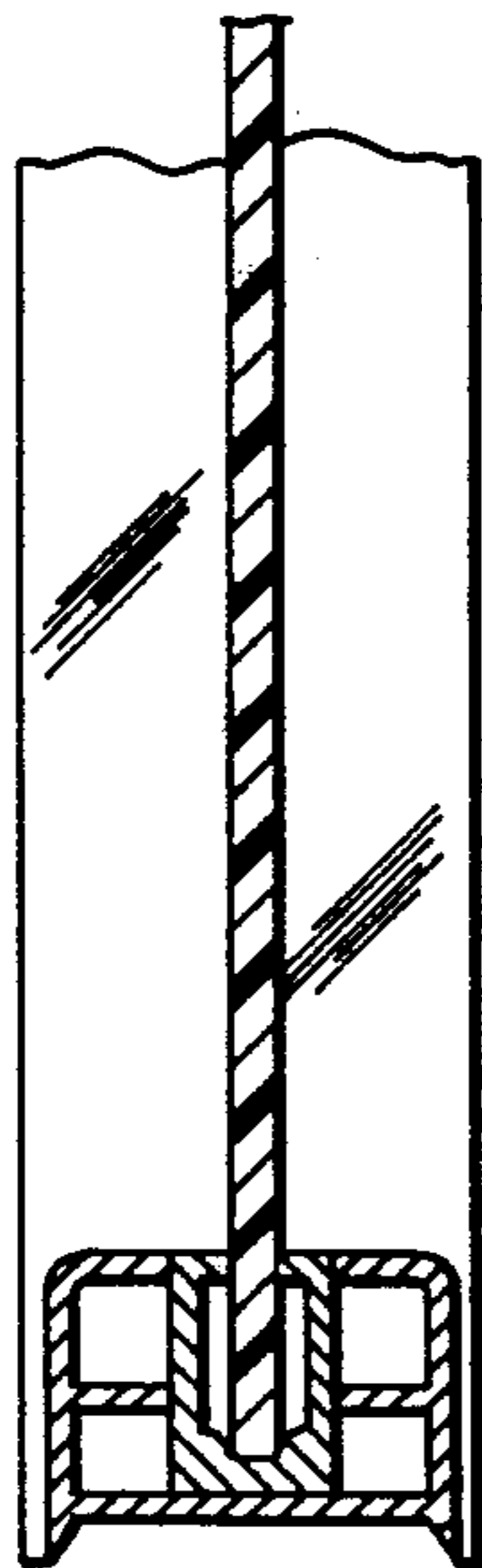
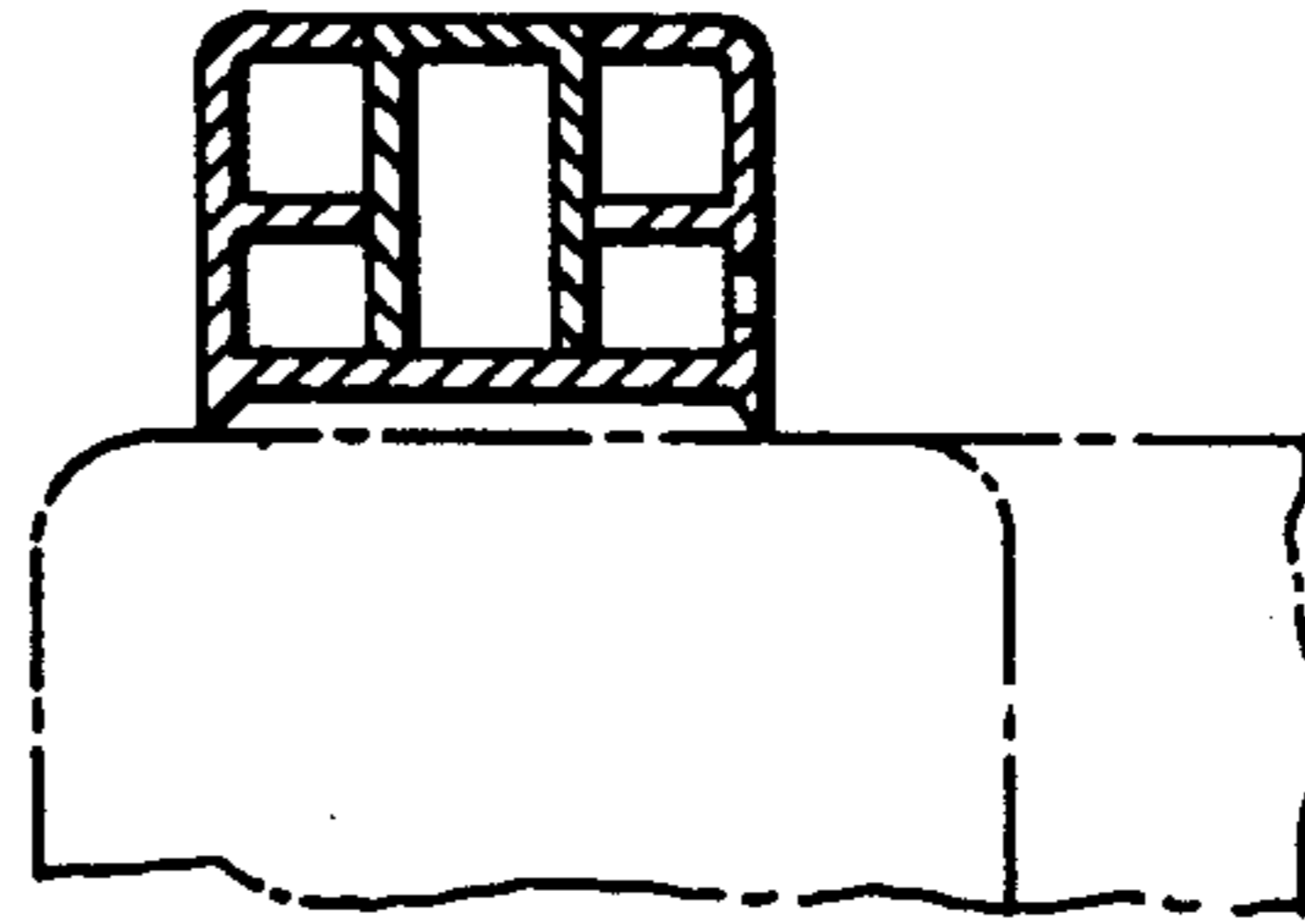


FIG. 10

