

[54] FISHING REEL

[75] Inventor: Kanji Iinuma, Kogaeni, Japan

[73] Assignee: Daiwa Seiko, Inc., Higashikurume, Japan

[**] Term: 14 Years

[21] Appl. No.: 870,777

[22] Filed: Jan. 19, 1978

[30] Foreign Application Priority Data

Dec. 26, 1977 [JP] Japan 52/36498

[51] Int. Cl. D22-05

[52] U.S. Cl. D22/25

[58] Field of Search D22/25, 23, 26; 43/18 R, 20, 22; 242/84.1 R, 84.1 J, 84.2 R, 84.2 A, 84.2 B, 84.2 C, 84.2 E, 84.2 H

[56] References Cited

U.S. PATENT DOCUMENTS

D. 247,247 2/1978 Okada D22/25
2,922,595 1/1960 Holahan D22/25 X

OTHER PUBLICATIONS

Field & Stream, Apr. 1960, p. 78, reel at lower left.

Primary Examiner—A. Hugo Word

Attorney, Agent, or Firm—Richard C. Sughrue

[57] CLAIM

The ornamental design for a fishing reel, as shown.

DESCRIPTION

FIG. 1 is a top, front and left side perspective view of a reel showing my new design; FIG. 2 is a front view thereof; FIG. 3 is a rear view thereof; FIG. 4 is a left side view thereof; FIG. 5 is a right side view thereof; FIG. 6 is a top plan view thereof; and FIG. 7 is a bottom plan view thereof.

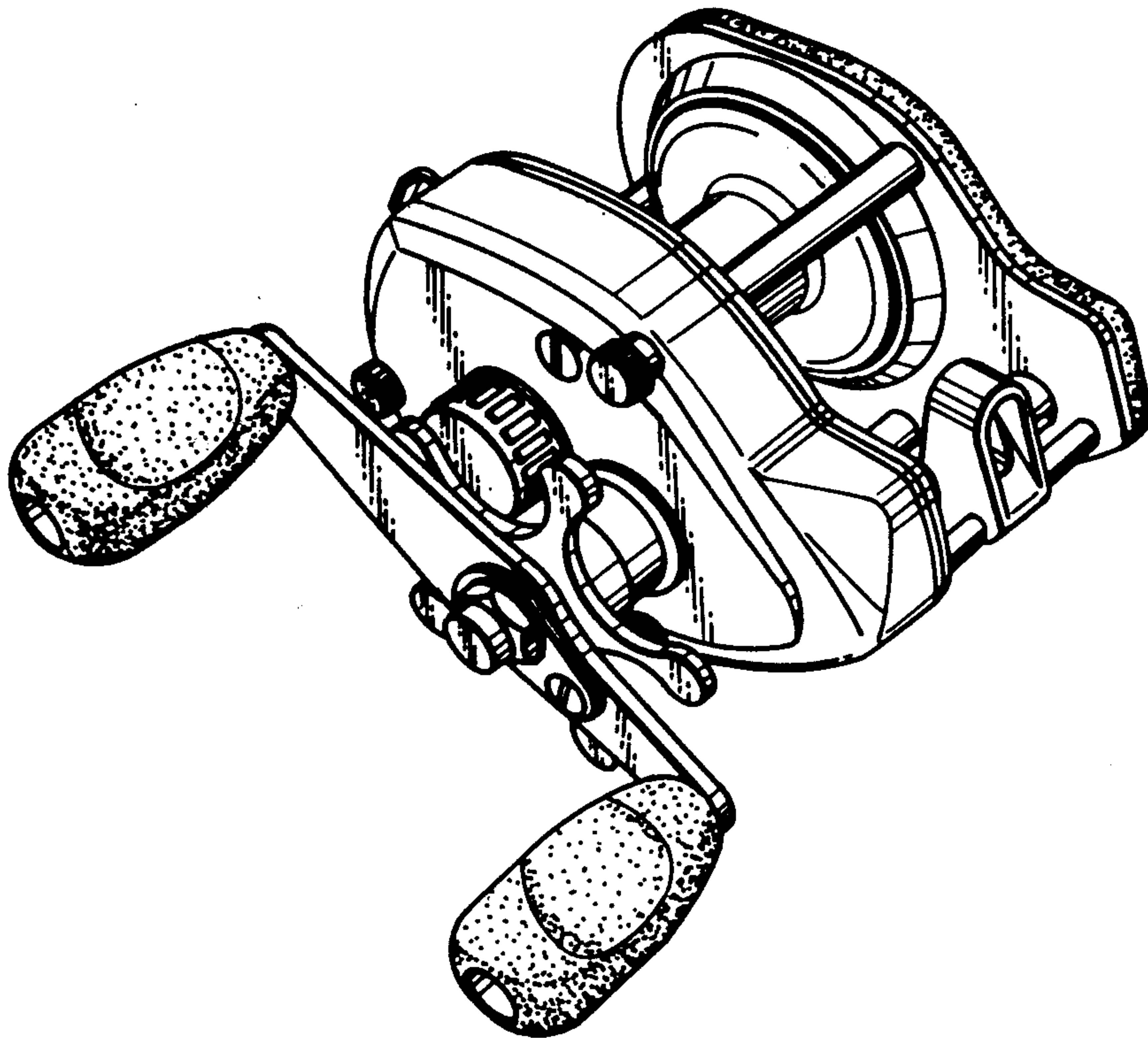


Fig. 1

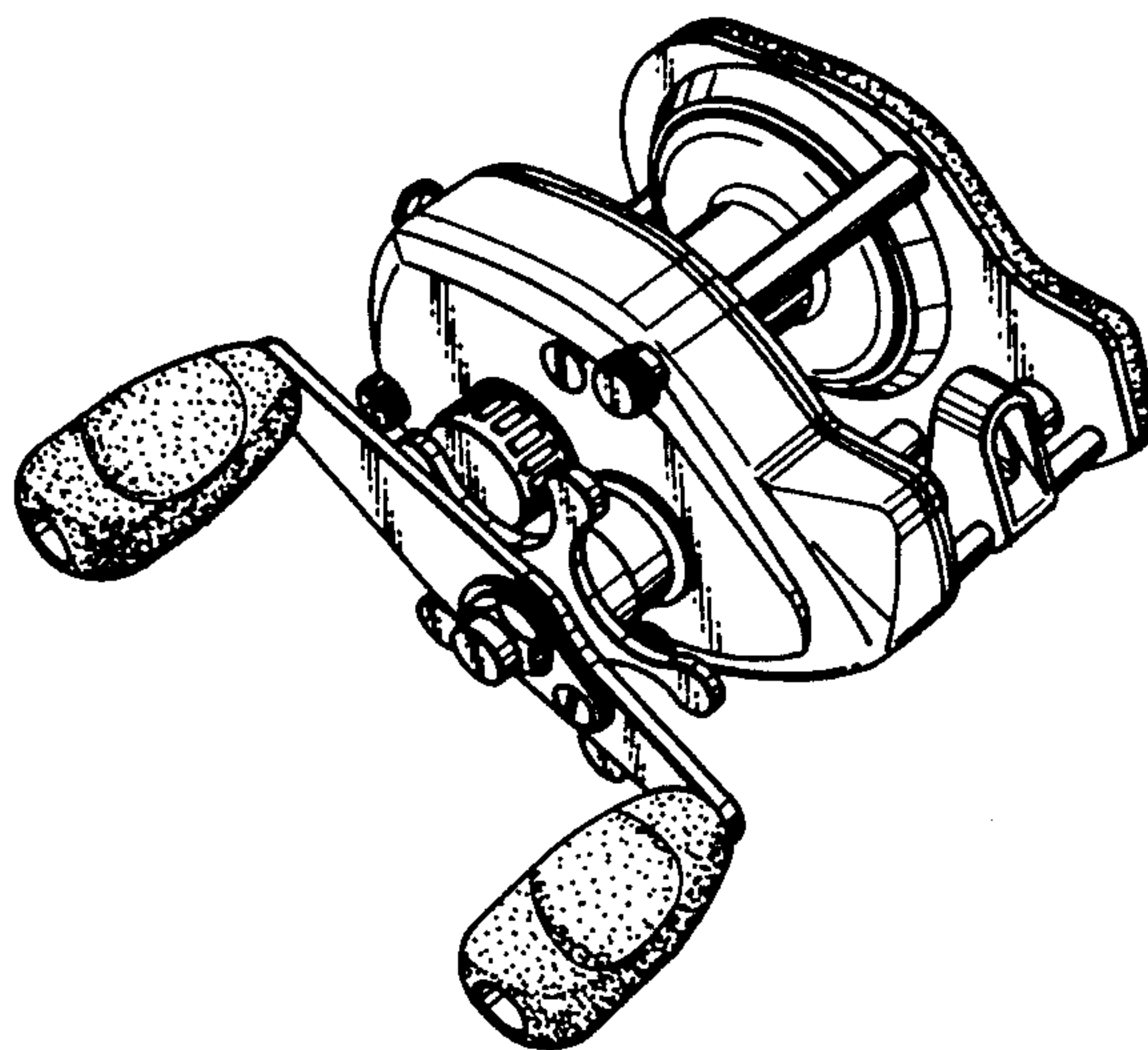


Fig. 2

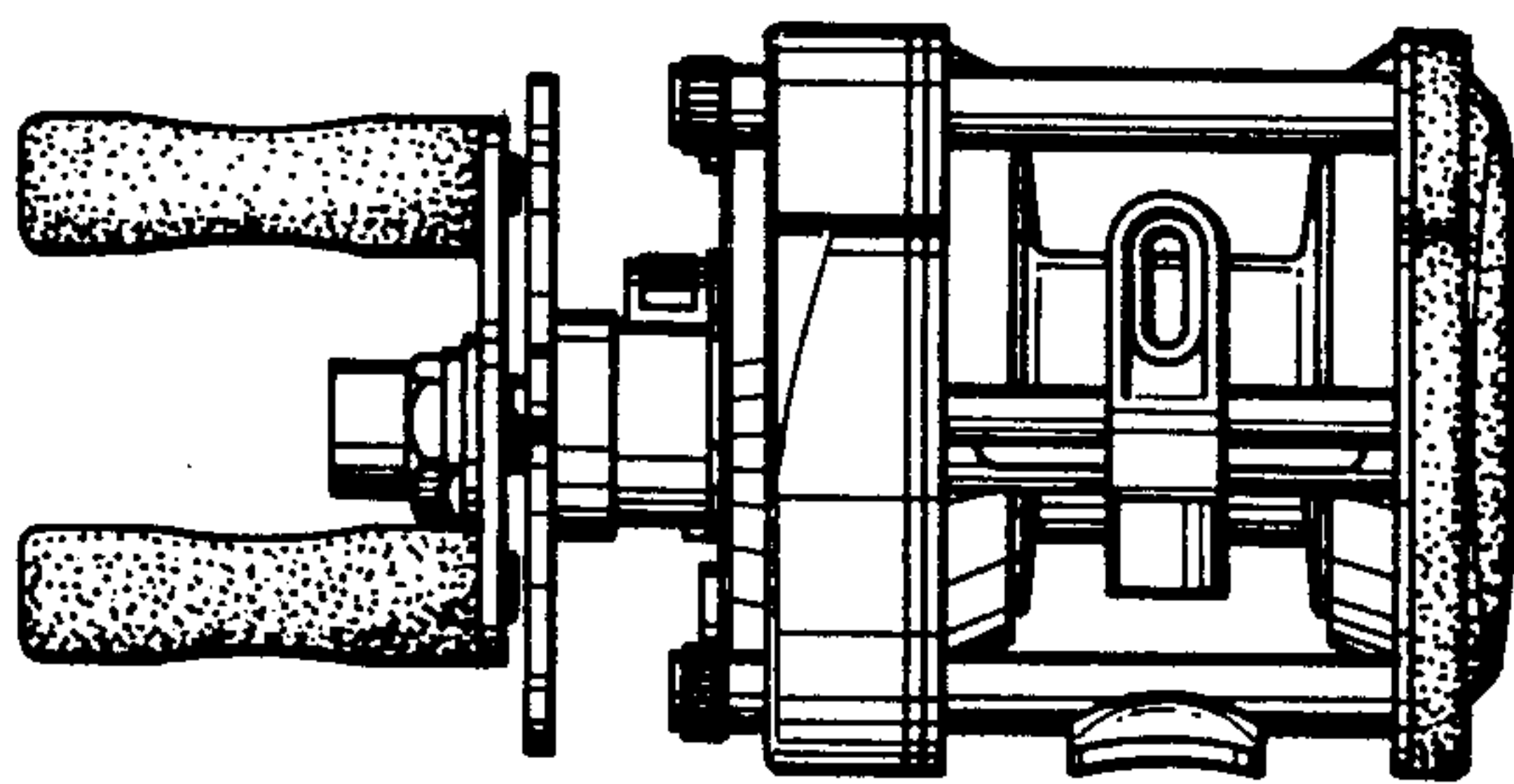


Fig. 3

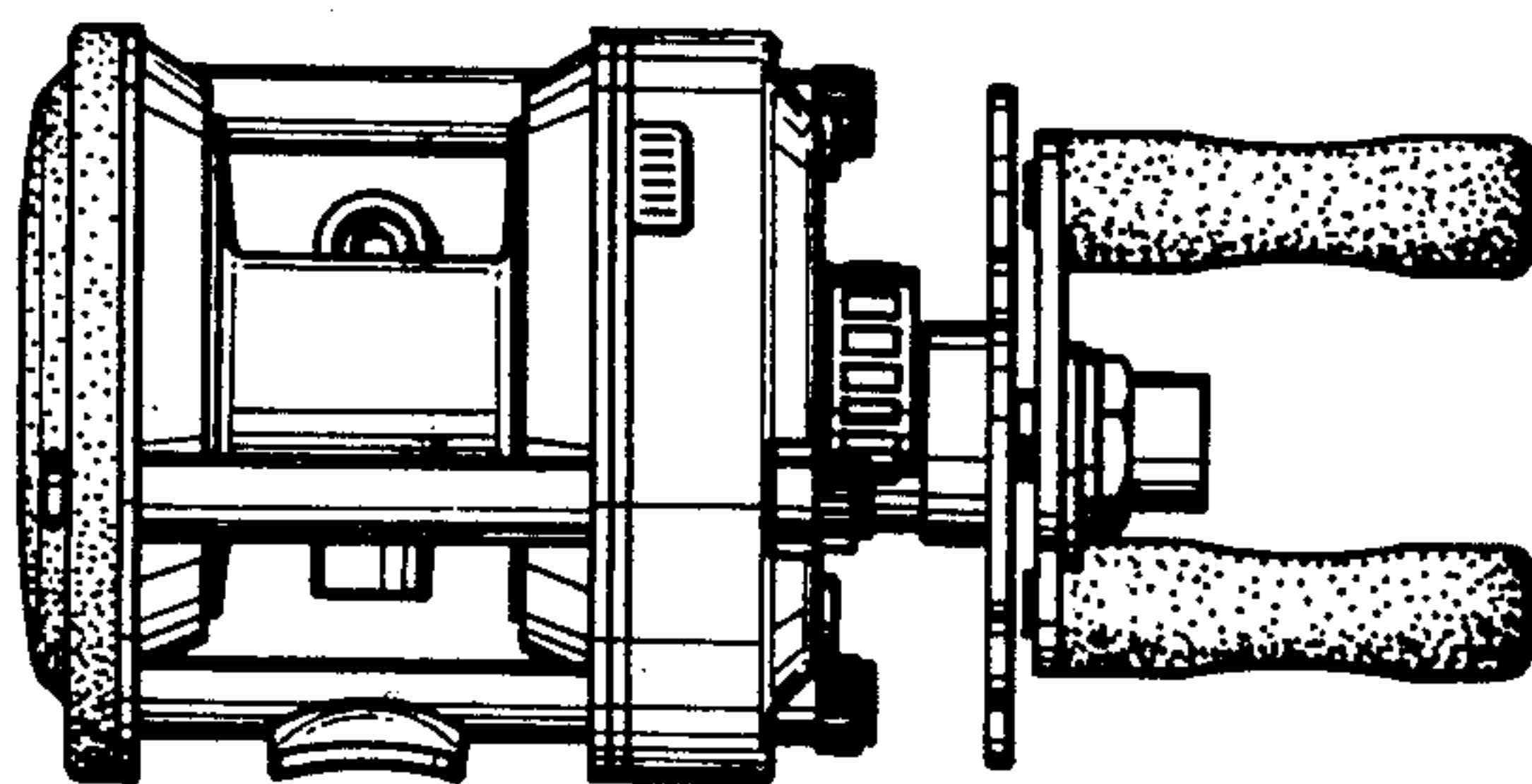


Fig. 4

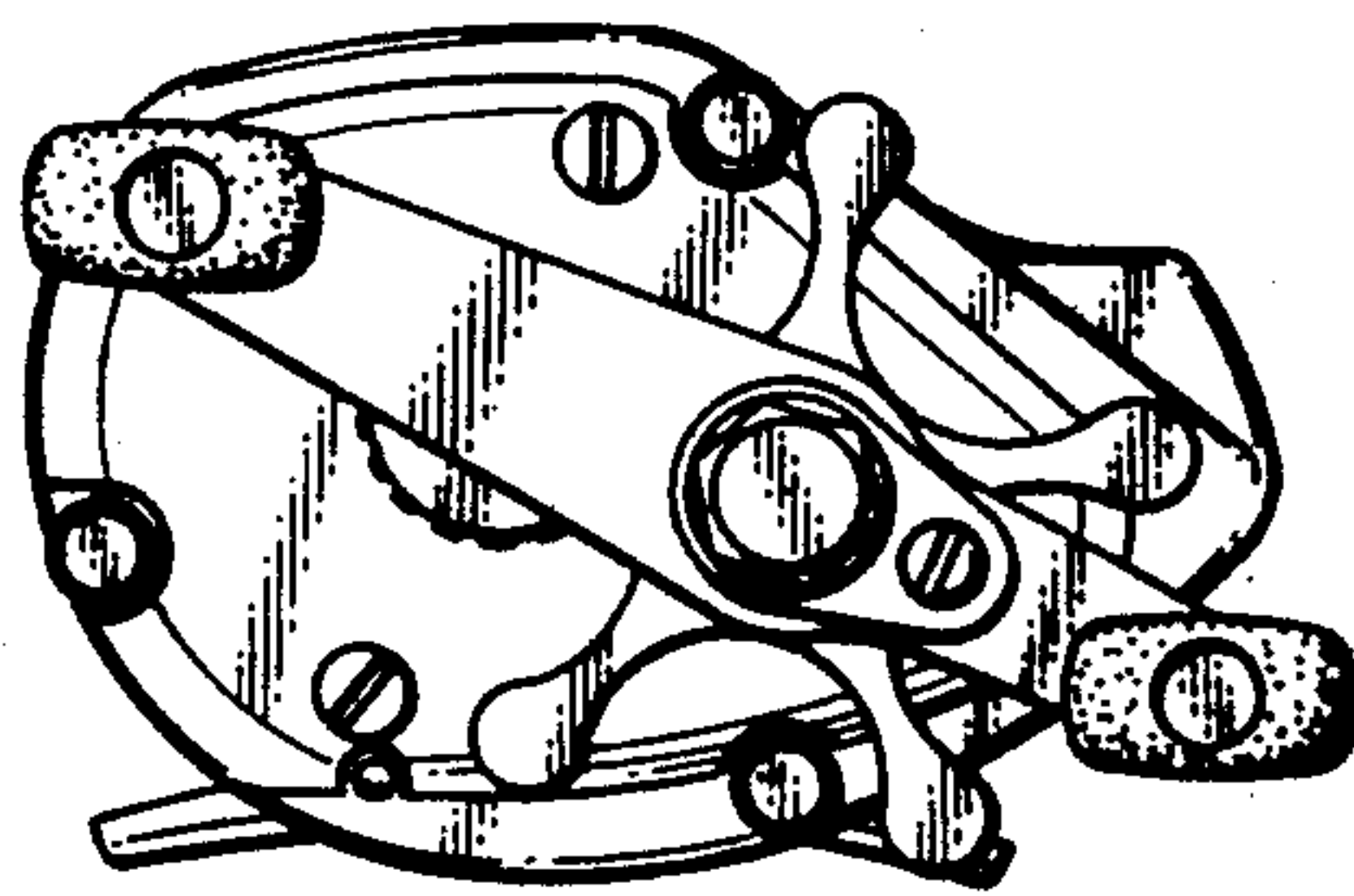


Fig. 5

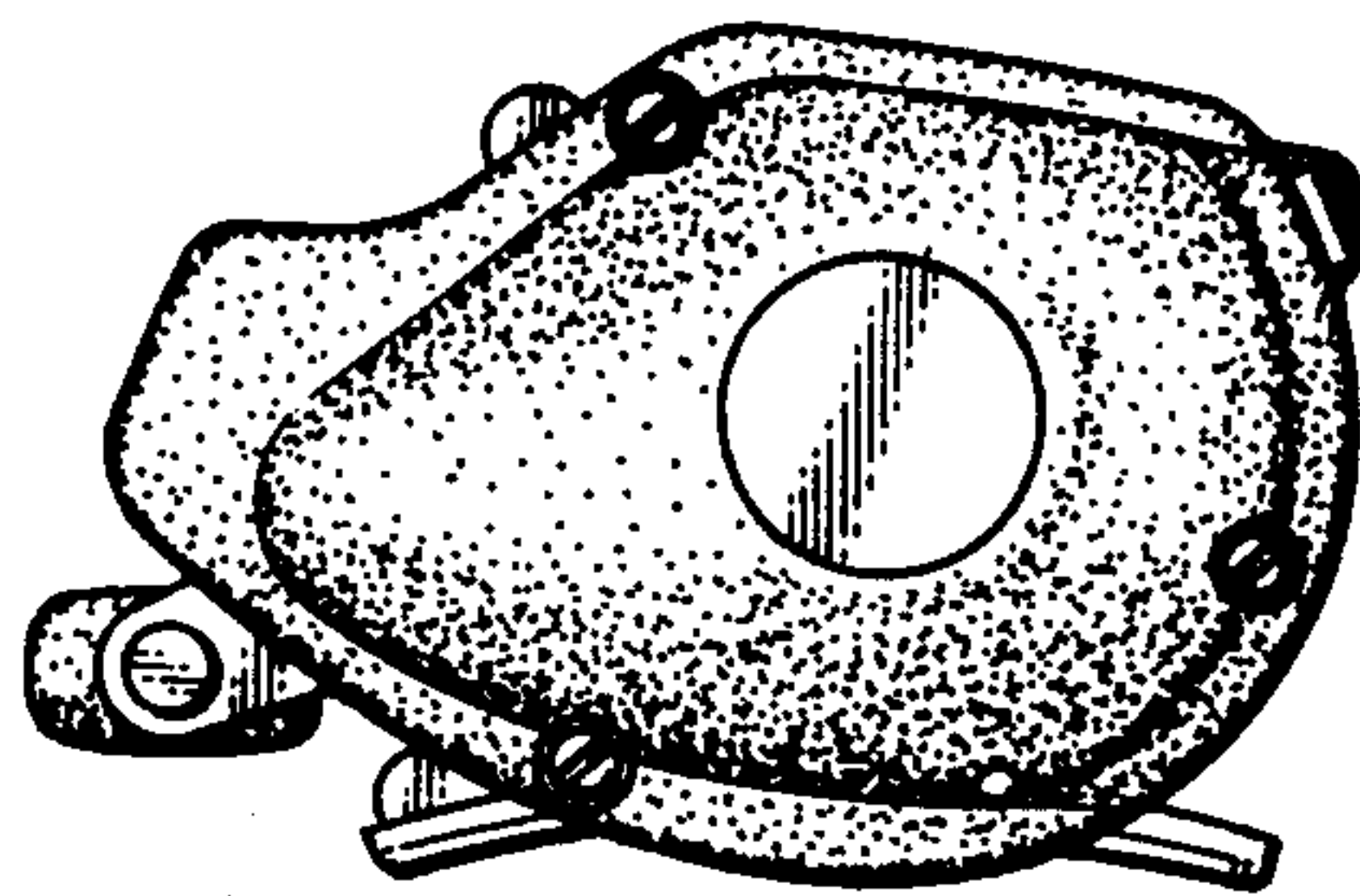


Fig. 6

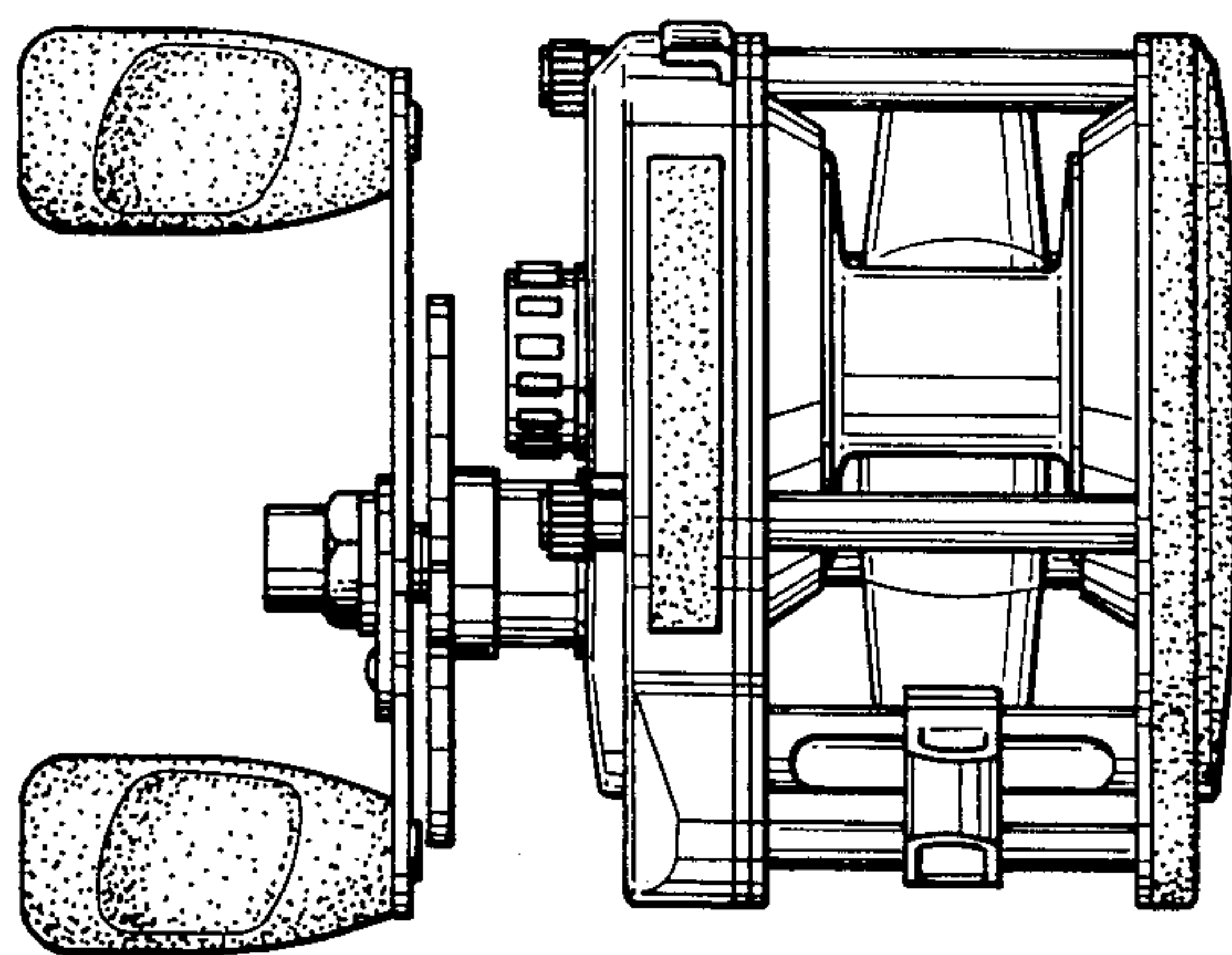


Fig. 7

