

[54] **TENNIS BALL RETRIEVER**

[76] Inventor: **Donald O. Wright**, 26333 Belle Porte Ave., Harbor City, Calif. 90710

[**] Term: **7 Years**

[21] Appl. No.: **893,500**

[22] Filed: **Apr. 4, 1978**

[51] Int. Cl. **D21-02**

[52] U.S. Cl. **D21/206**

[58] Field of Search **D21/206; 294/19 A**

[56] **References Cited**

U.S. PATENT DOCUMENTS

D. 244,149 4/1977 Davis **D21/206**

FOREIGN PATENT DOCUMENTS

469482 7/1937 United Kingdom **294/19 A**

Primary Examiner—Melvin B. Feifer
Attorney, Agent, or Firm—John Holtrichter, Jr.

[57] **CLAIM**

The ornamental design for a tennis ball retriever, substantially as shown and described.

DESCRIPTION

FIG. 1 is a perspective view of the front of a tennis ball retriever showing my new design; FIG. 2 is a top plan view thereof; FIG. 3 is a rear elevational view thereof; FIG. 4 is an end elevational view thereof; FIG. 5 is a front elevational view thereof; and FIG. 6 is a bottom plan view thereof.

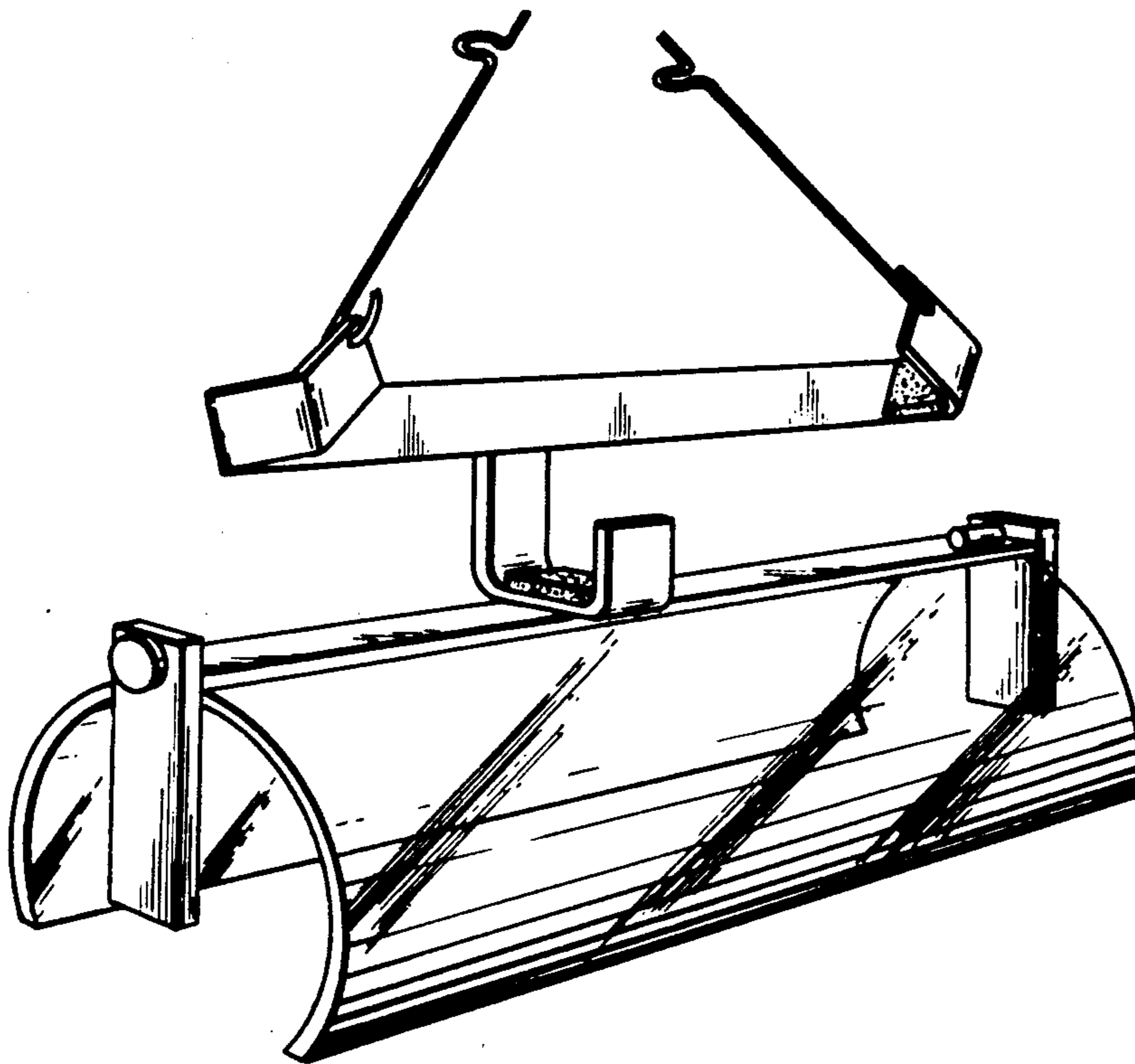


Fig. 1.

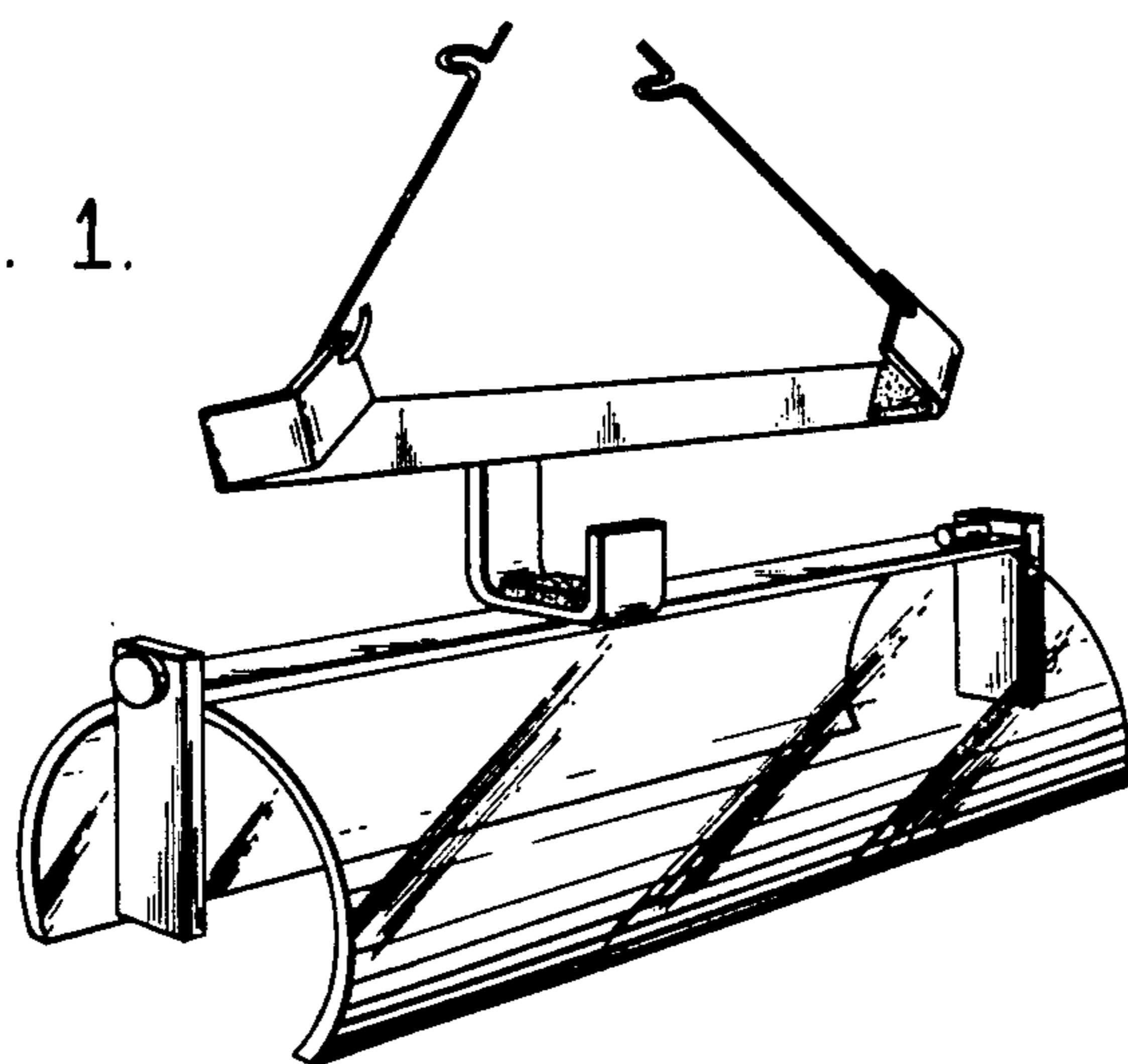


Fig. 2.

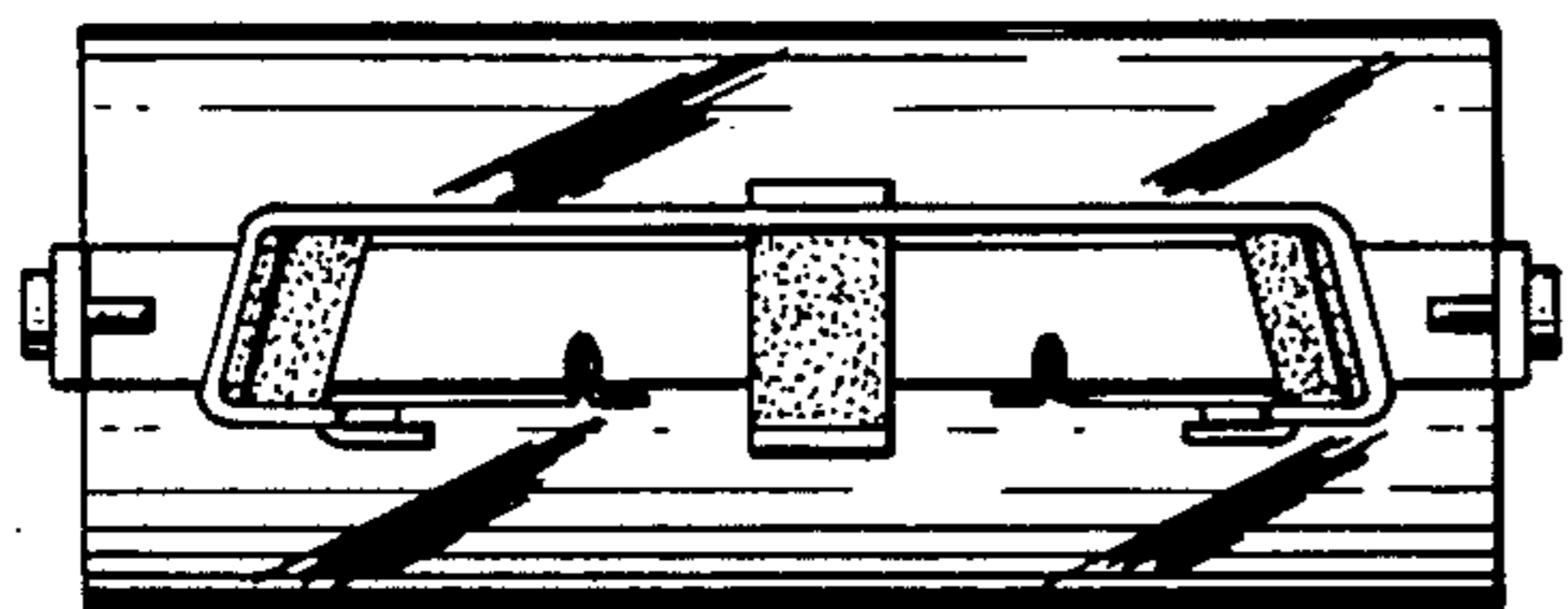


Fig. 3.

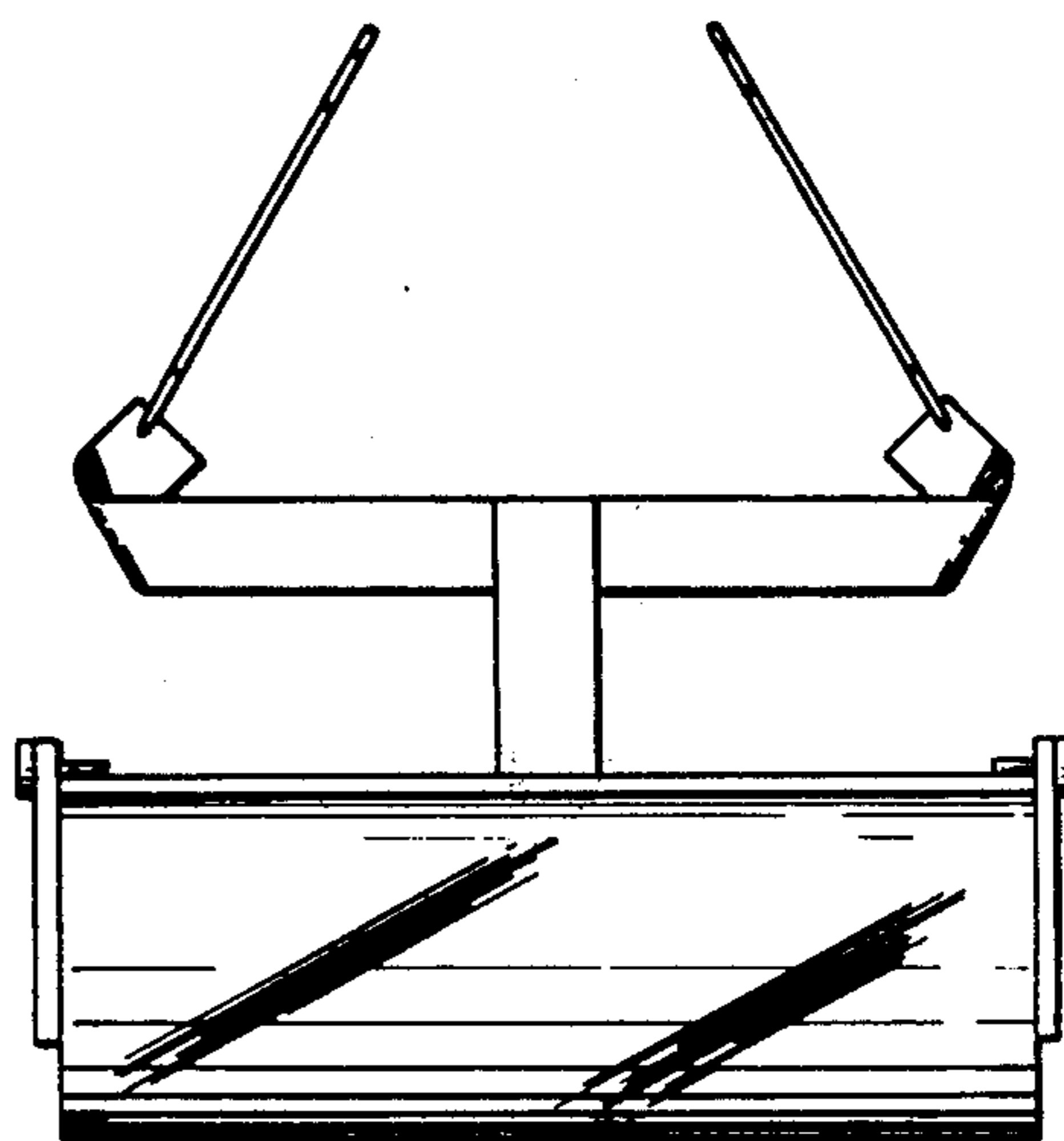


Fig. 5.

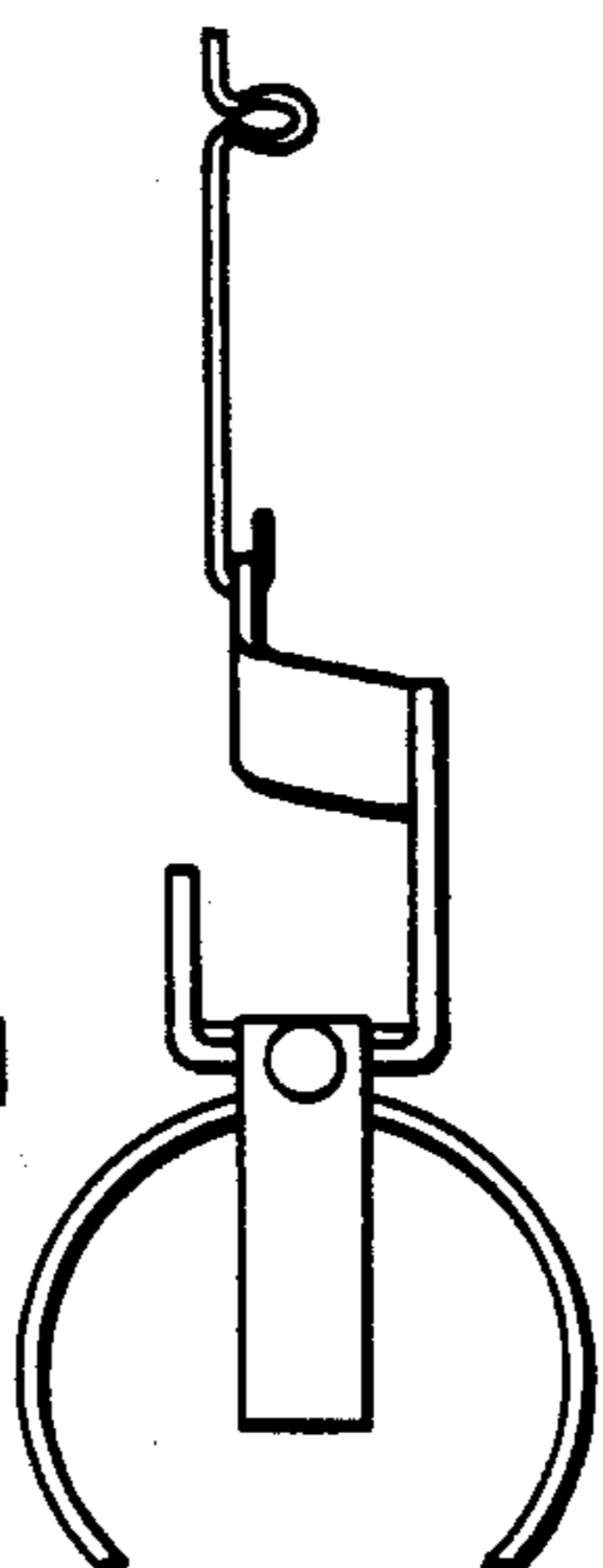
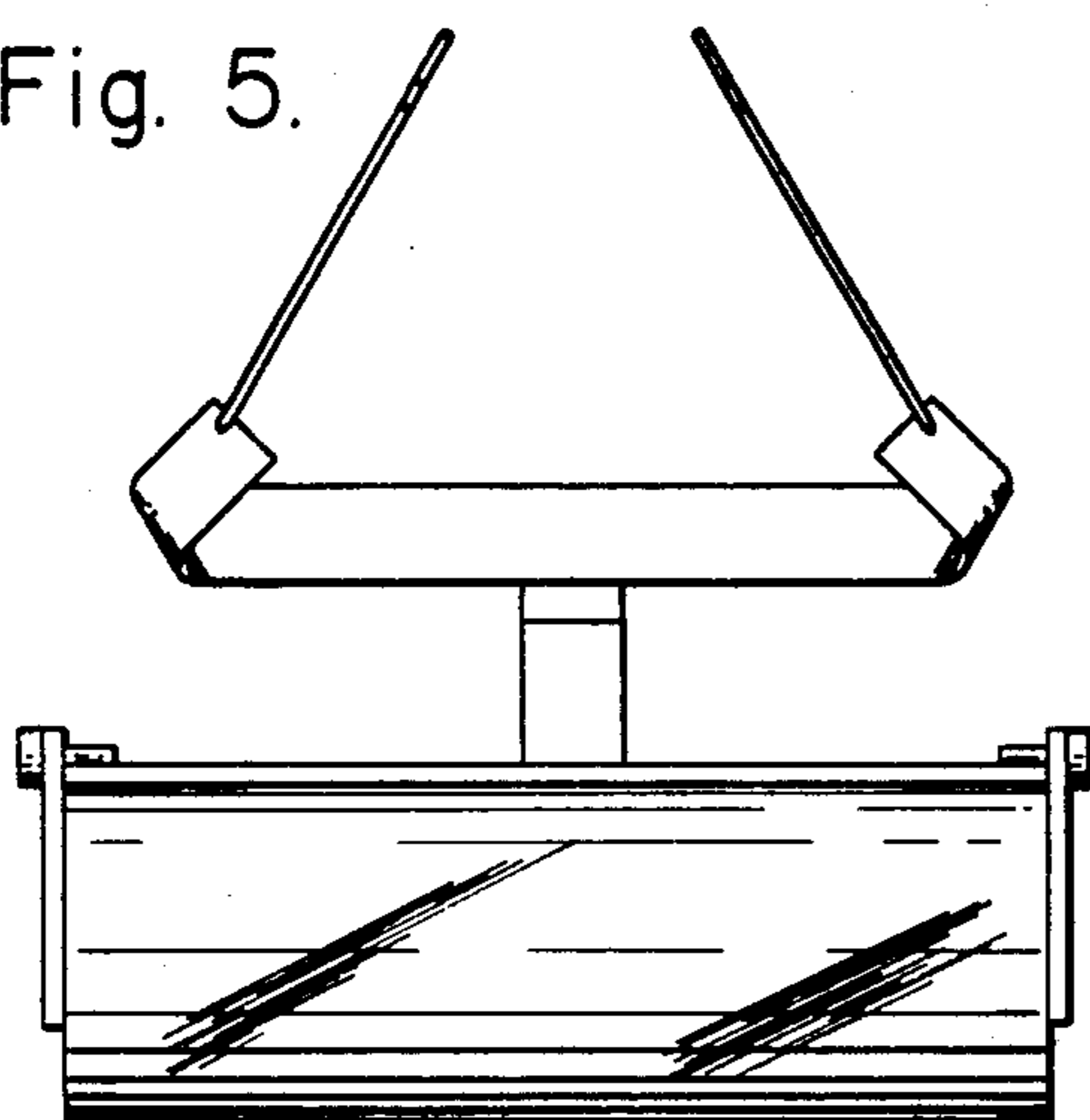


Fig. 6.

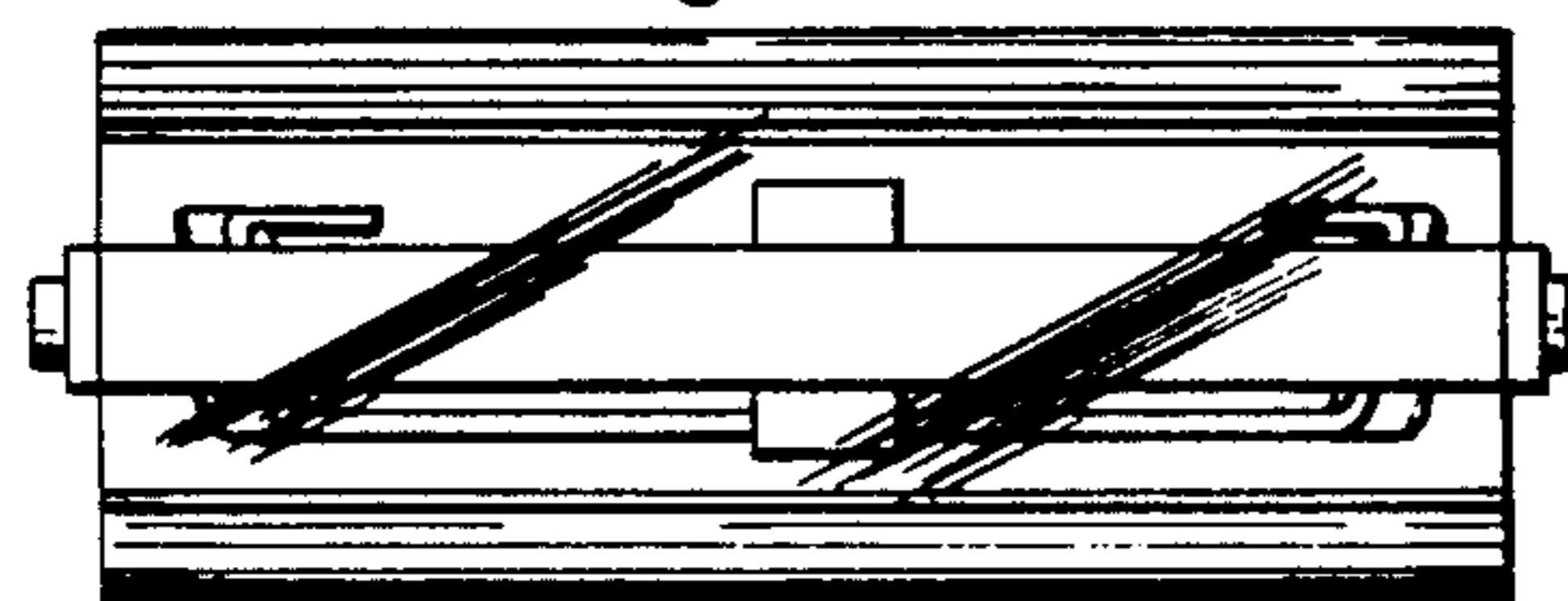


Fig. 4.