

[54] TOY PAY LOADER

[75] Inventor: Victor J. Fratarcangeli, East Aurora, N.Y.

[73] Assignee: The Quaker Oats Company, Chicago, Ill.

[**] Term: 14 Years

[21] Appl. No.: 867,521

[22] Filed: Jan. 6, 1978

[51] Int. Cl. D21-01
[52] U.S. Cl. D21/132
[58] Field of Search D34/15 AJ, 15 AM, 15 AN;
D15/10, 23, 25; 46/201, 204, 214, 219;
D21/132

[56] References Cited

U.S. PATENT DOCUMENTS

D. 243,267 2/1977 Breneman et al. D34/15 AJ
2,702,963 3/1955 Swenson 46/214

OTHER PUBLICATIONS

Sears Wish Book, 1976, p. 452, item #2, bulldozer.

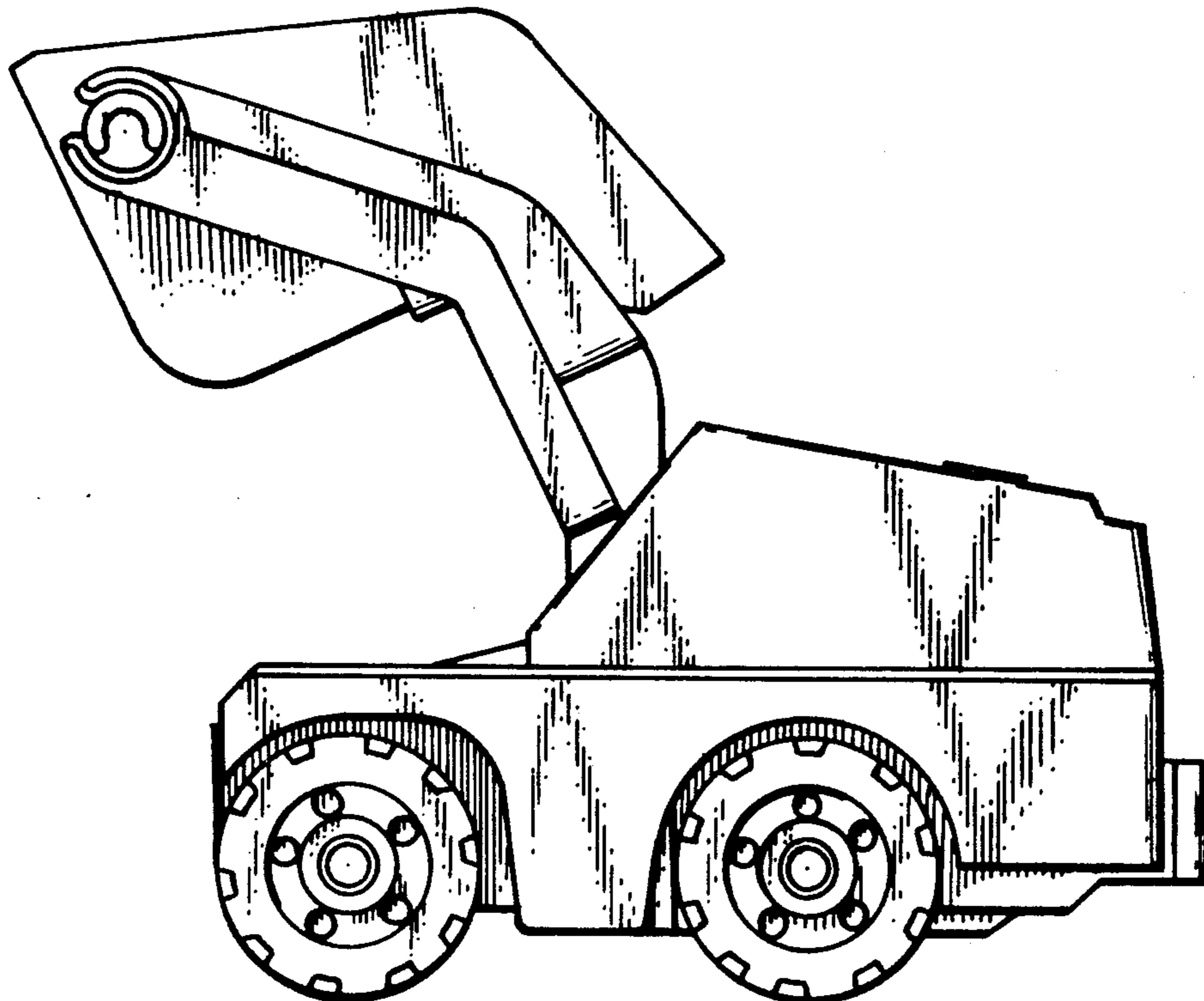
Primary Examiner—Charles A. Rademaker
Attorney, Agent, or Firm—Cumpston & Shaw

[57] CLAIM

The ornamental design for a toy pay loader, substantially as shown and described.

DESCRIPTION

FIG. 1 is a left-side elevational view of a toy pay loader showing my new design, the right side being substantially a mirror image;
FIG. 2 is a rear elevational view thereof;
FIG. 3 is a top plan view thereof;
FIG. 4 is a front elevational view thereof; and
FIG. 5 is a bottom plan view thereof.



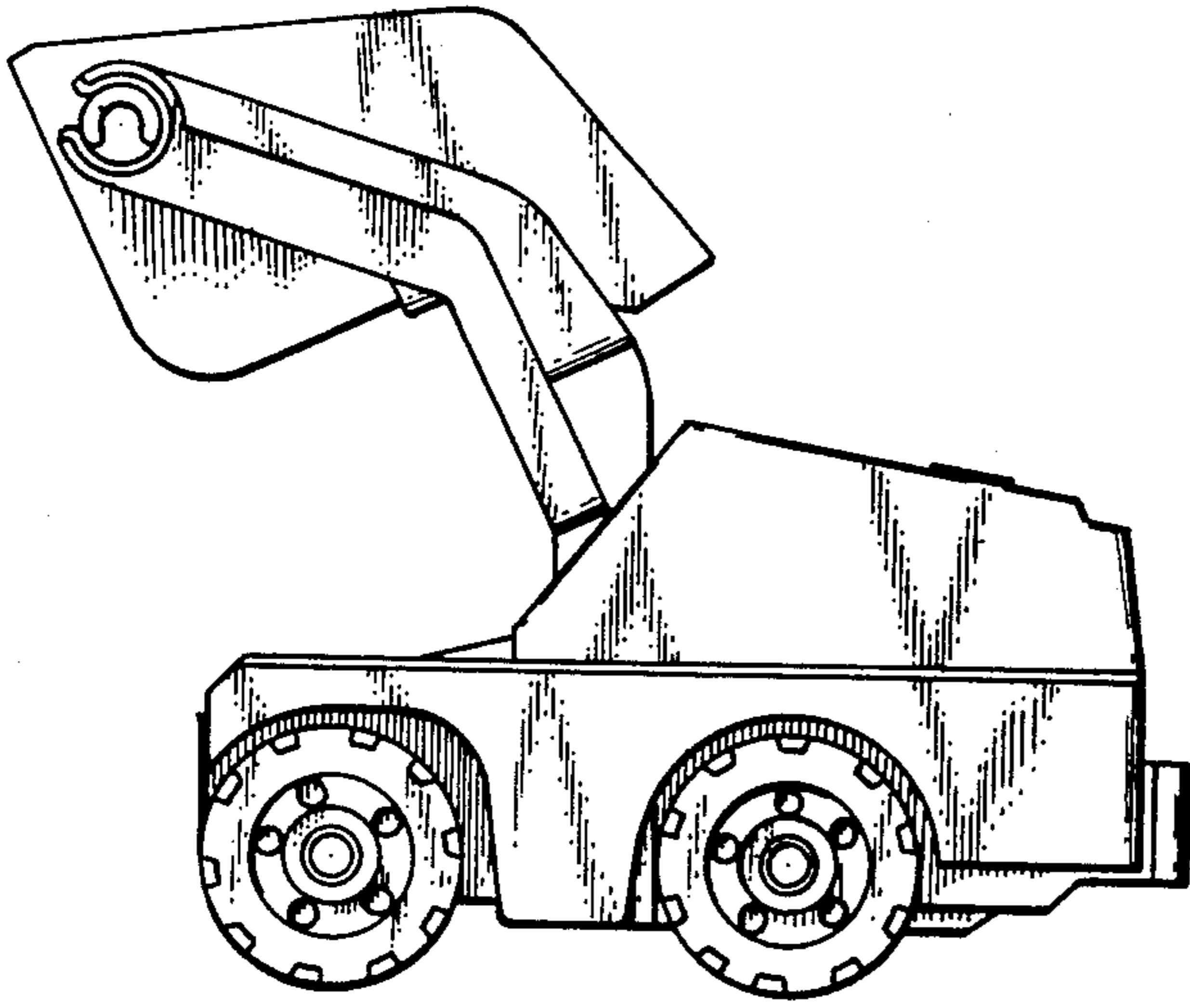


FIG. 1

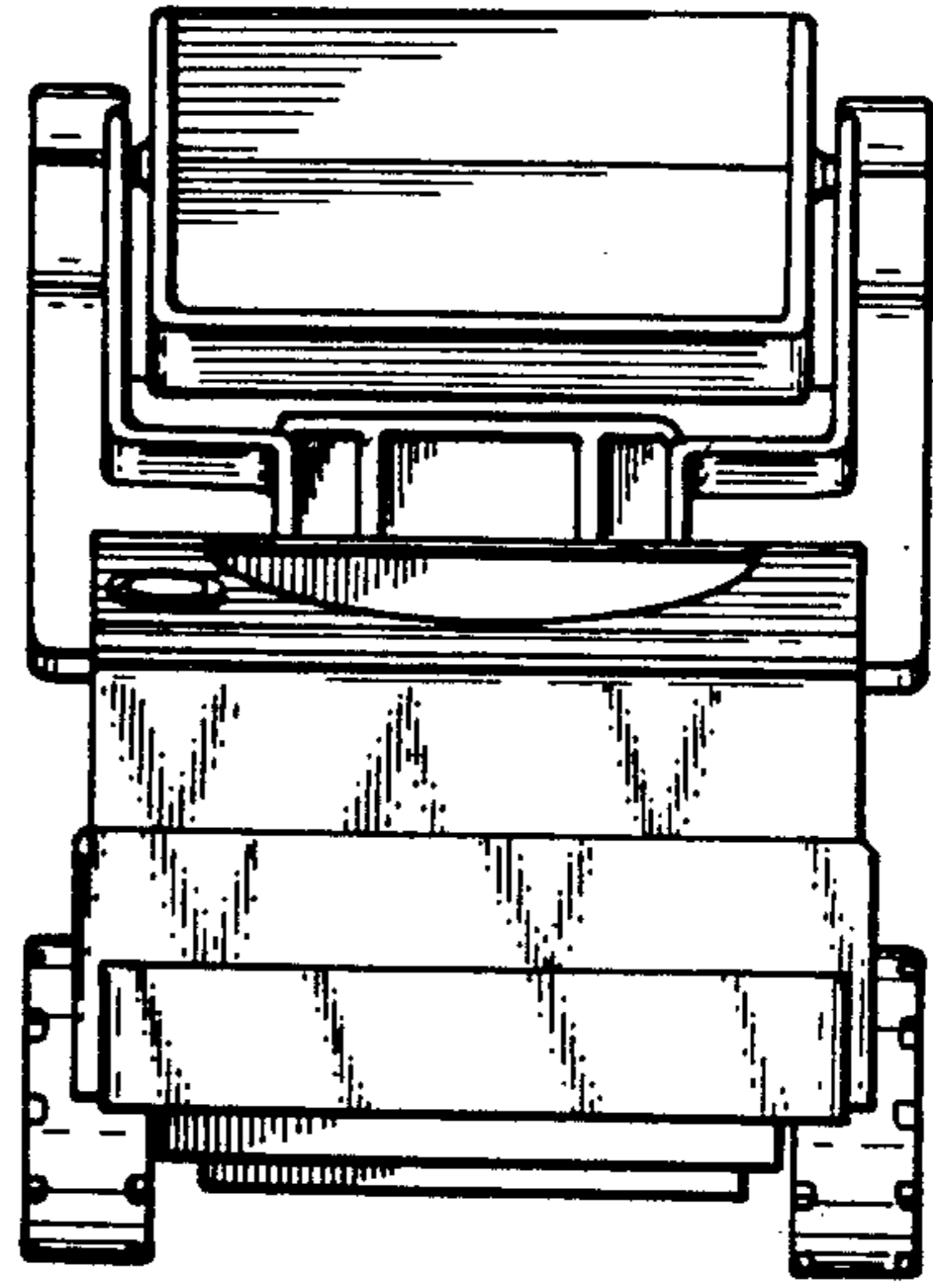


FIG. 2

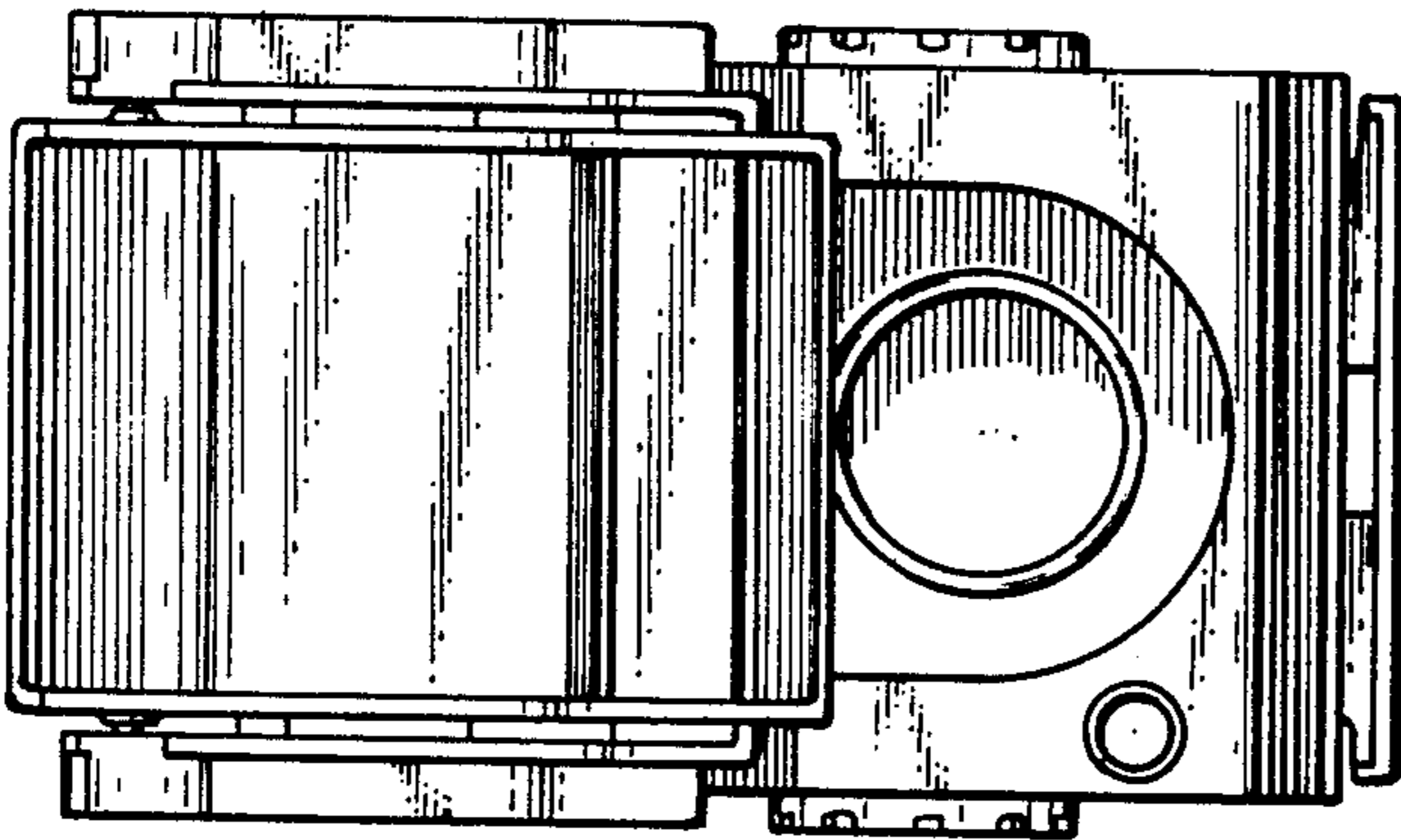


FIG. 3

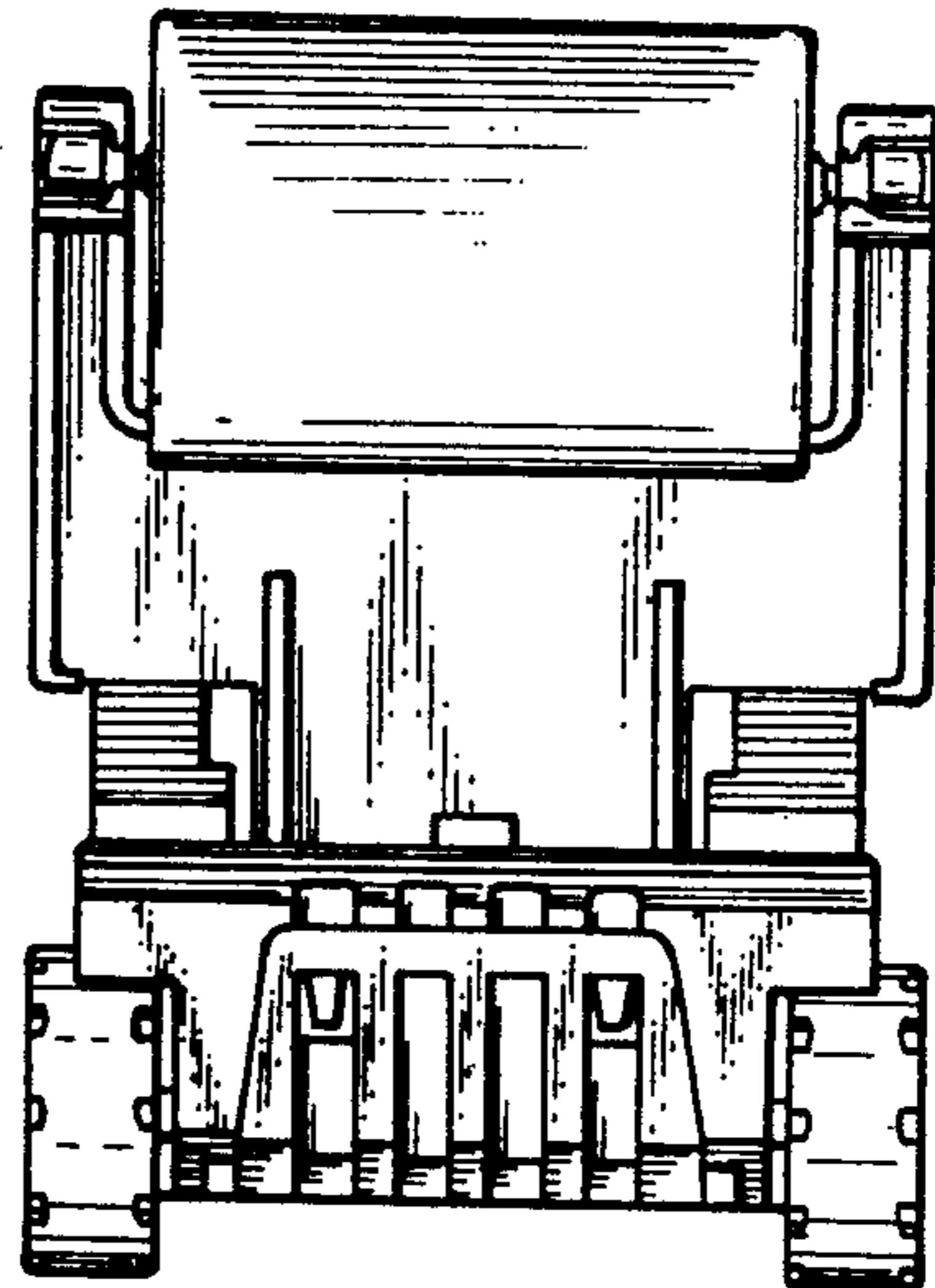


FIG. 4

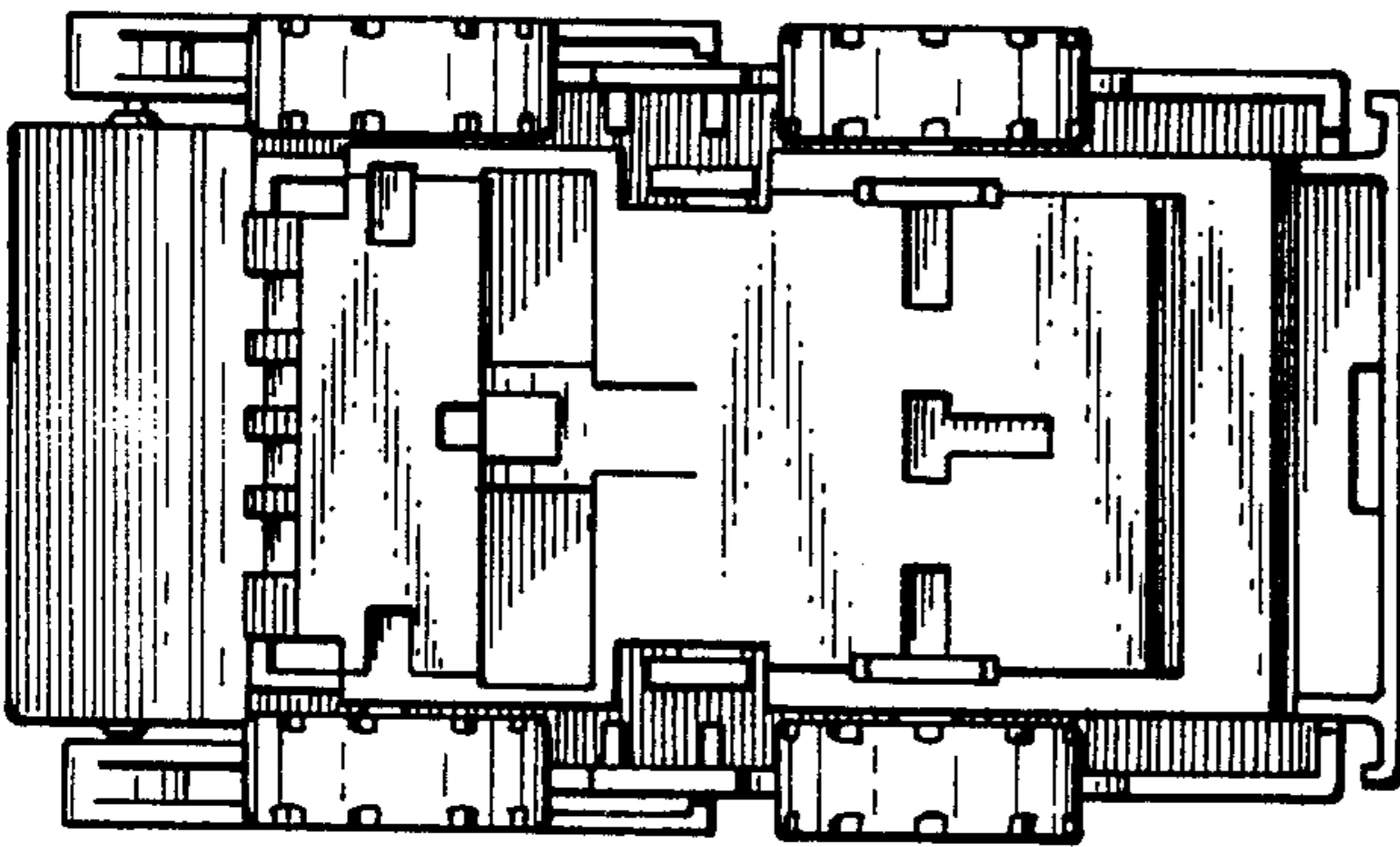


FIG. 5