

[54] COMBINED RACK FOR DRILLING MACHINES AND SUPPORT HOOK THEREFOR

[75] Inventor: Ole S. Ravn, Farum, Denmark

[73] Assignee: Stig Ravn A/S, Farum, Denmark

[**] Term: 14 Years

[21] Appl. No.: 911,509

[22] Filed: Jun. 1, 1978

[30] Foreign Application Priority Data

Dec. 1, 1977 [DK] Denmark 927/77

[51] Int. Cl. D15-09; D6-04

[52] U.S. Cl. D15/140; D6/125

[58] Field of Search D15/138, 140; D8/71; 206/372, 373, 379; 211/60 R, 60 T; 29/57; D6/125

[56] References Cited

U.S. PATENT DOCUMENTS

D. 202,069	8/1965	Westberg	D15/140
D. 208,376	8/1967	DeCaccia	D15/140
D. 251,644	4/1979	Ravn	D6/125

Primary Examiner—Wallace R. Burke

Assistant Examiner—B. J. Bullock

[57] CLAIM

The ornamental design for a combined rack for drilling machines and support hook therefor, as shown and described.

DESCRIPTION

FIG. 1 is a front, top perspective view of a combined rack for drilling machines and support hook therefor embodying my new design,

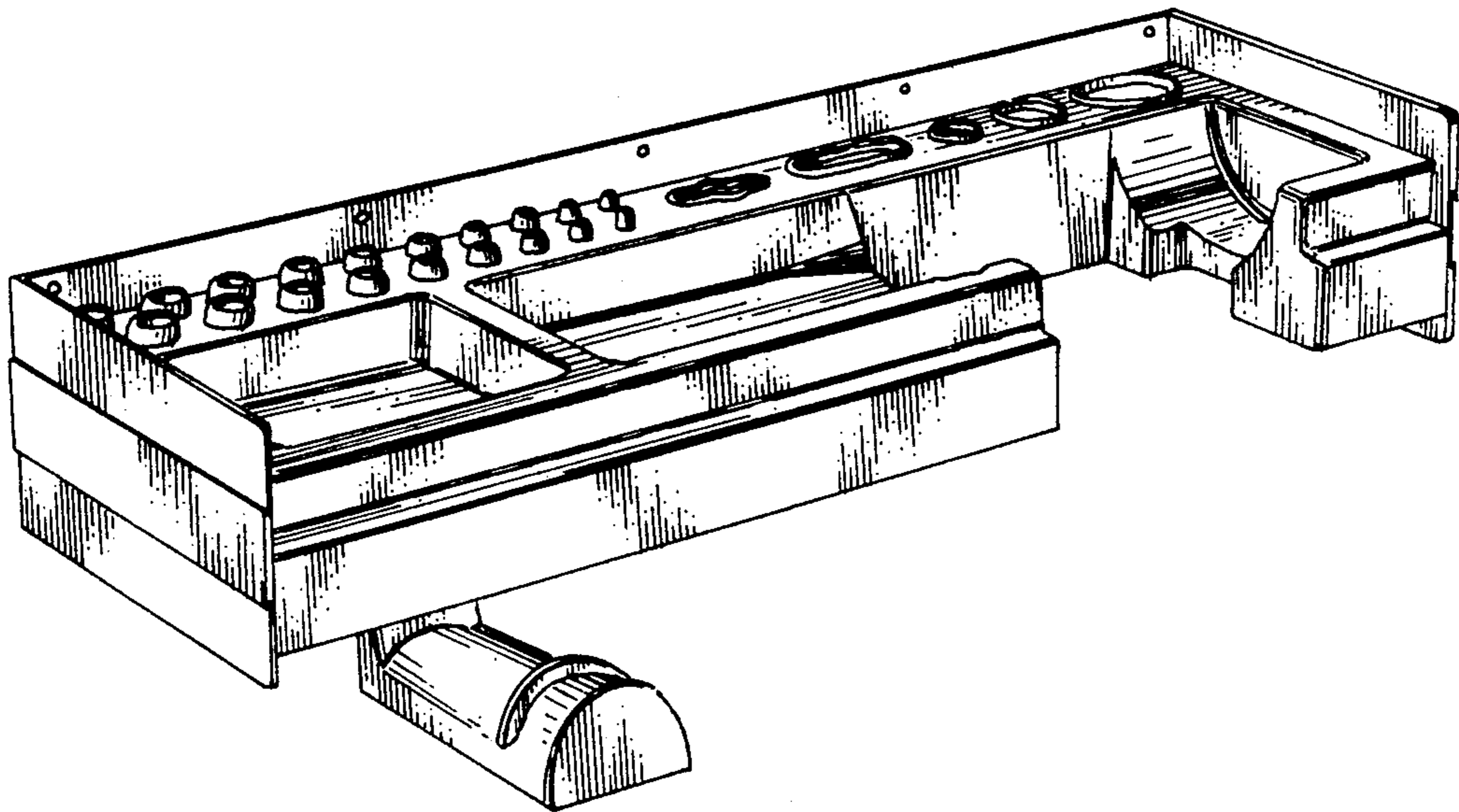
FIG. 2 is a bottom, rear perspective view thereof,

FIG. 3 is a top, front perspective view of the rack shown separately for ease of illustration,

FIG. 4 is a perspective bottom, rear view of FIG. 3,

FIG. 5 is an enlarged front, bottom perspective view of the support hook shown separately for clarity of illustration,

FIG. 6 is an enlarged rear, top perspective view of FIG. 5.



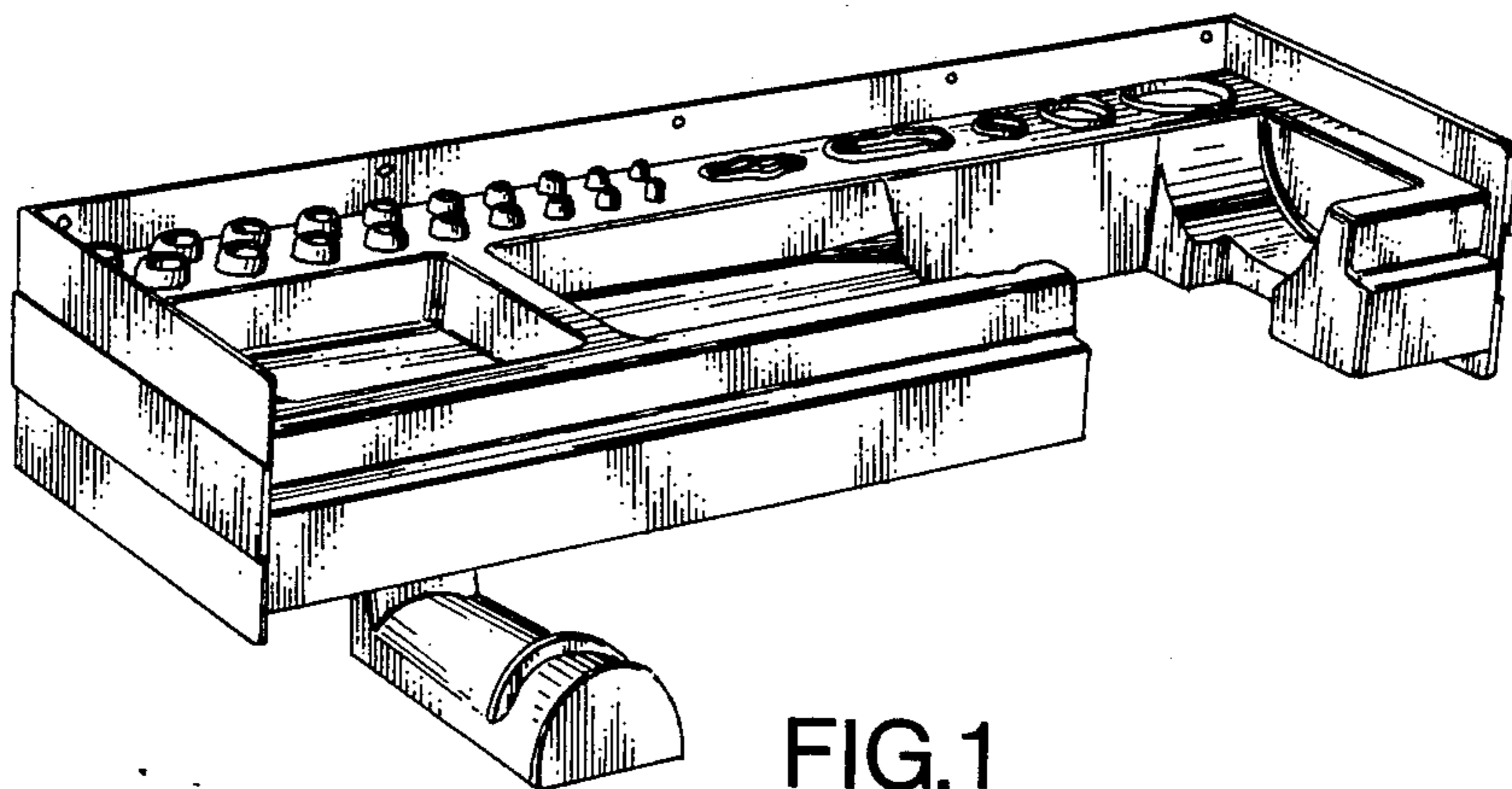


FIG. 1

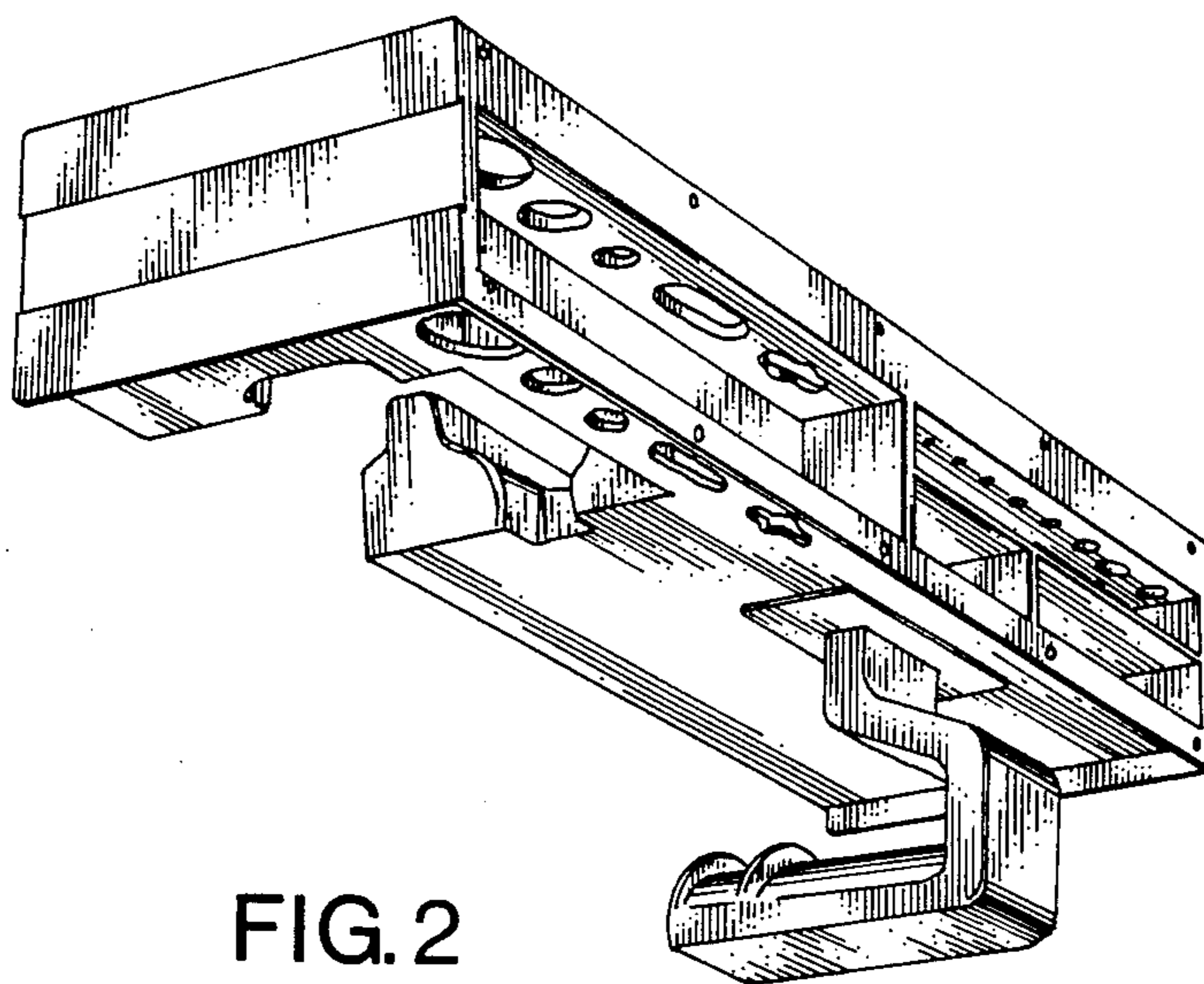
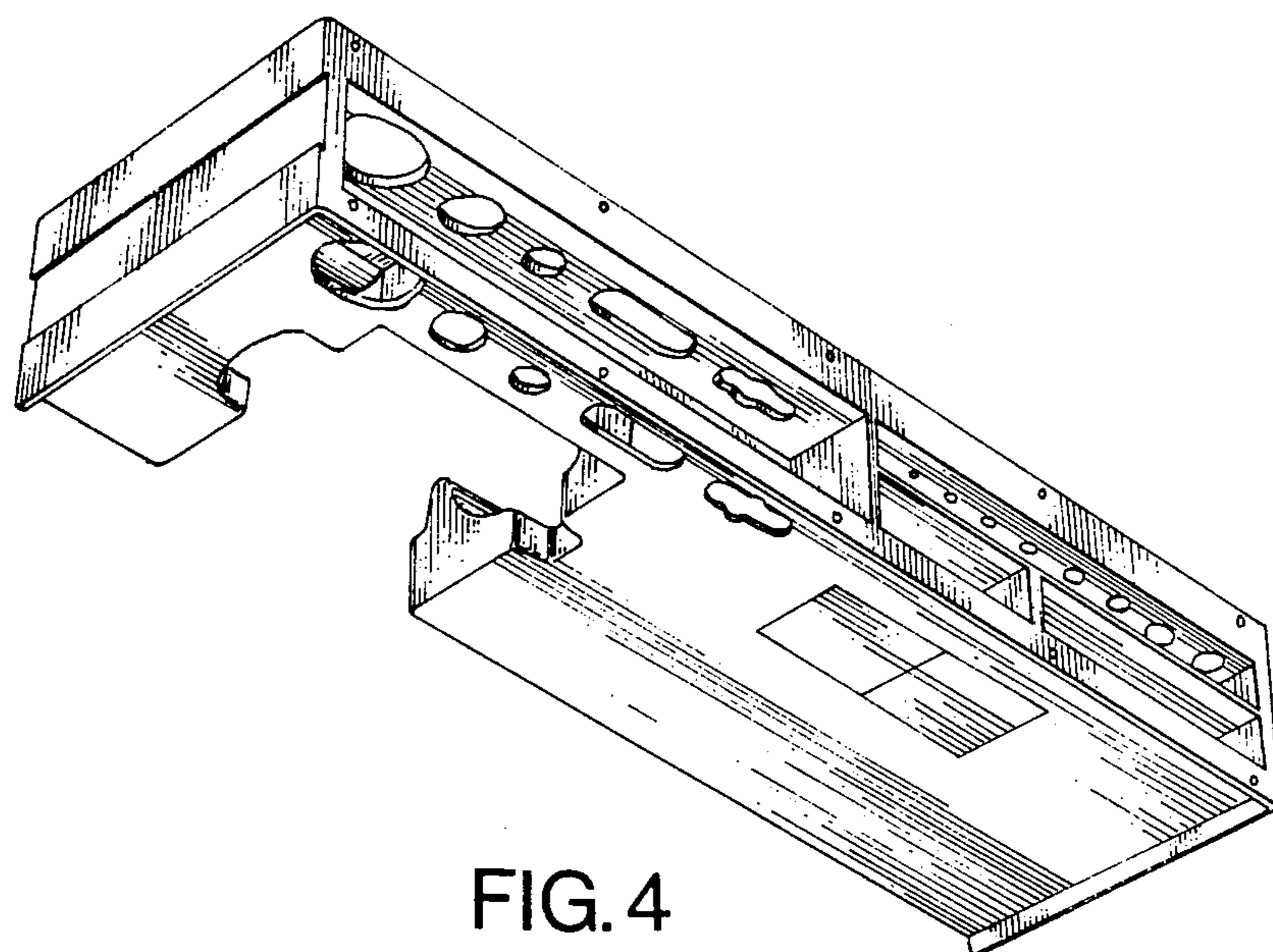
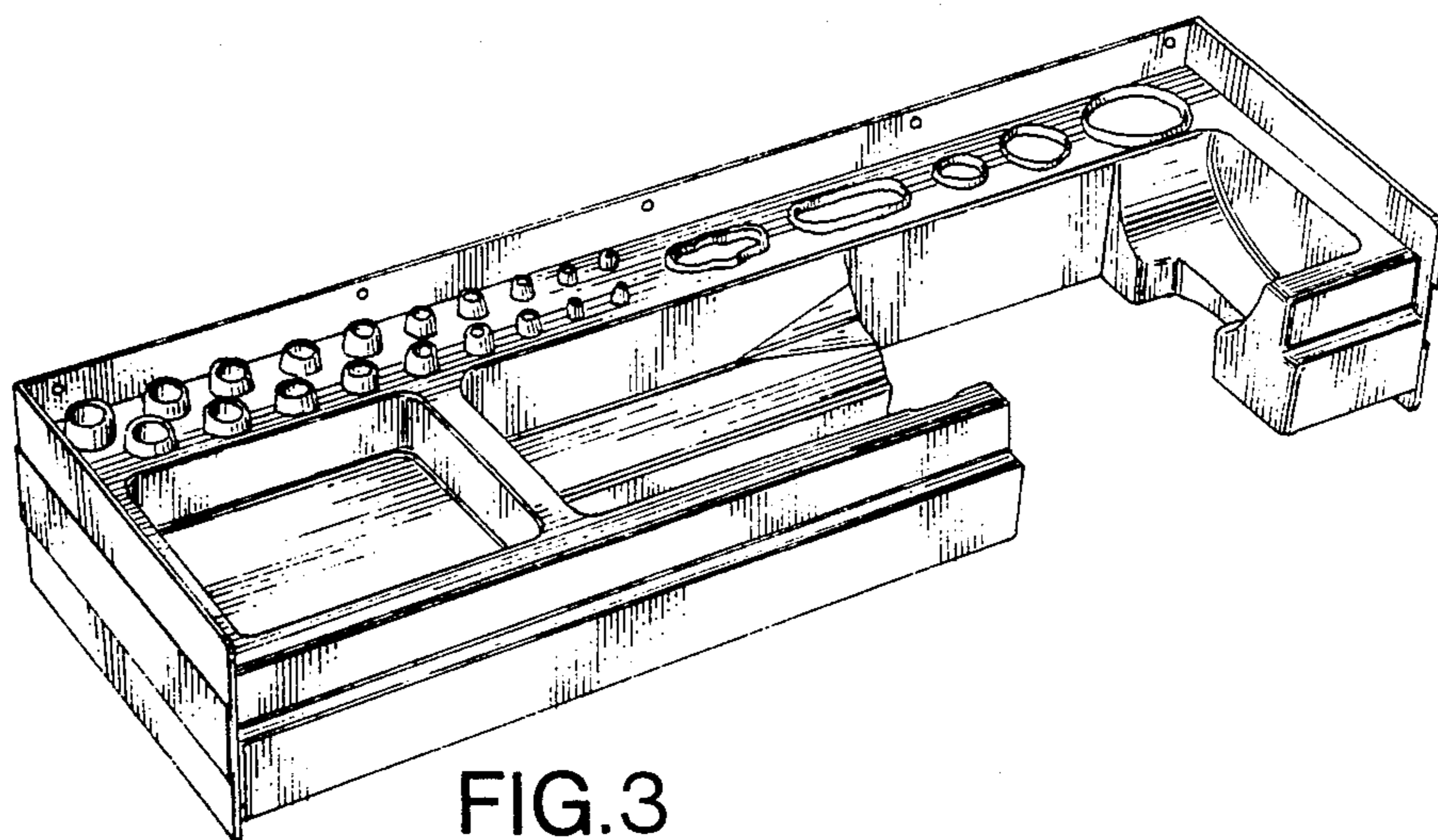


FIG. 2



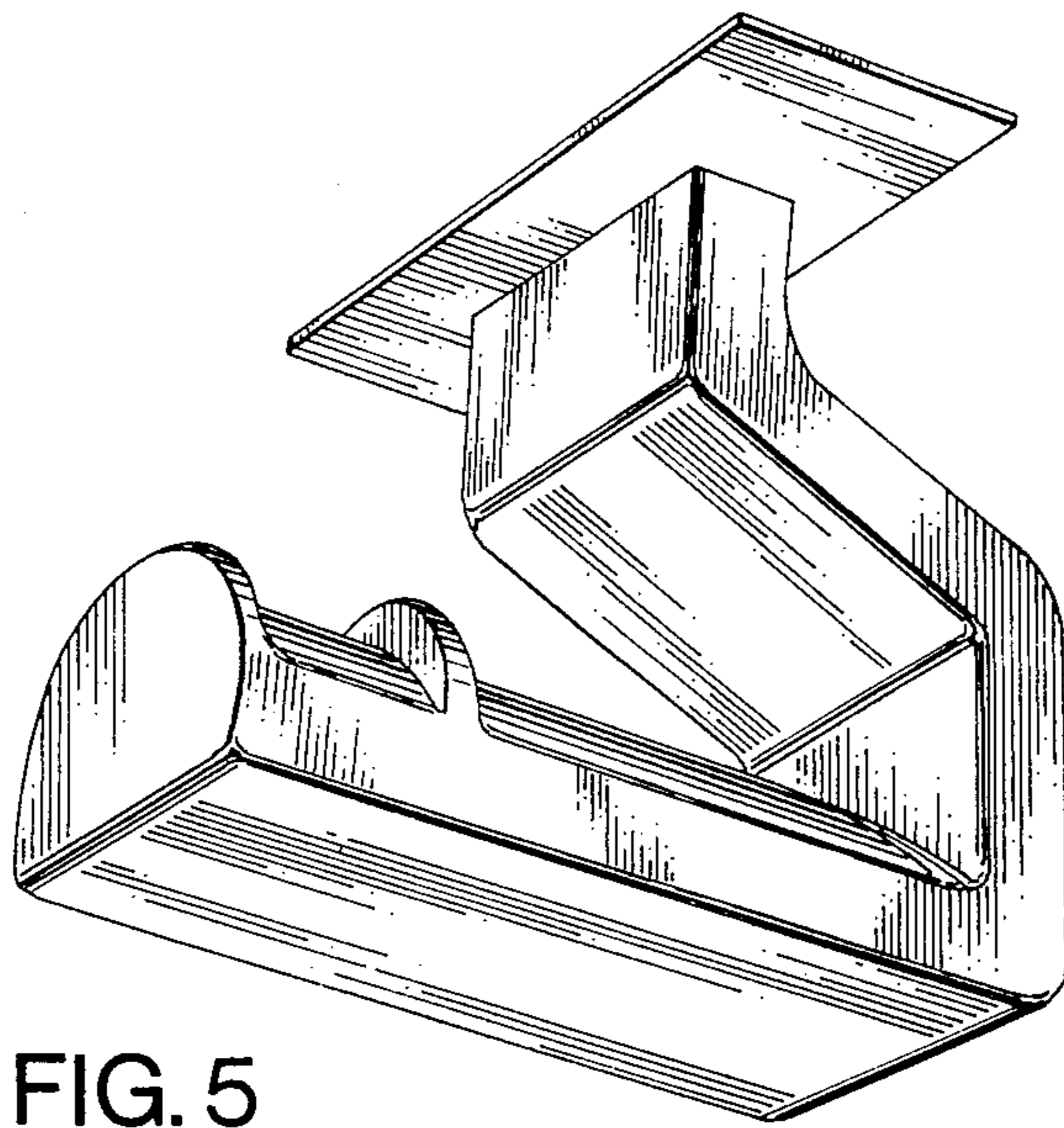


FIG. 5

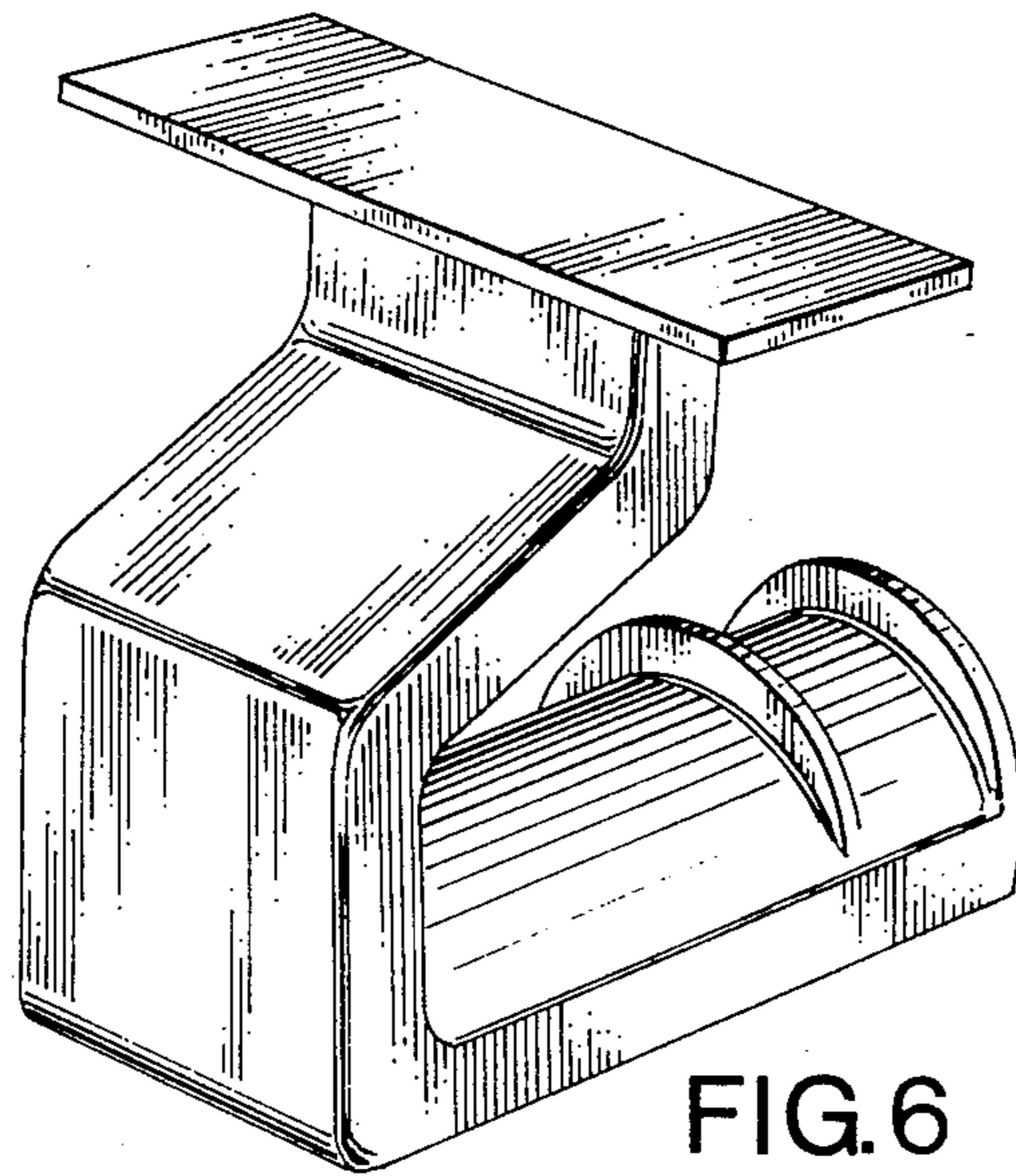


FIG. 6