

[54] LOG SPLITTER BLADE

[75] Inventors: Kenneth L. Duppong, Arvada;
Randall E. Toler, Broomfield, both of
Colo.

[73] Assignee: Speeco, Incorporated, Lakewood,
Colo.

[**] Term: 14 Years

[21] Appl. No.: 798,917

[22] Filed: May 20, 1977

[51] Int. Cl. D15-99

[52] U.S. Cl. D15/139

[58] Field of Search D15/138, 139, 10, 127;
144/193 R, 193 A, 193 D, 193 E

[56] References Cited

U.S. PATENT DOCUMENTS

D. 240,073	5/1976	Ebbinghaus	D15/127 X
4,103,724	8/1978	Braid	144/193 A
4,116,251	9/1978	Graney	144/193 R

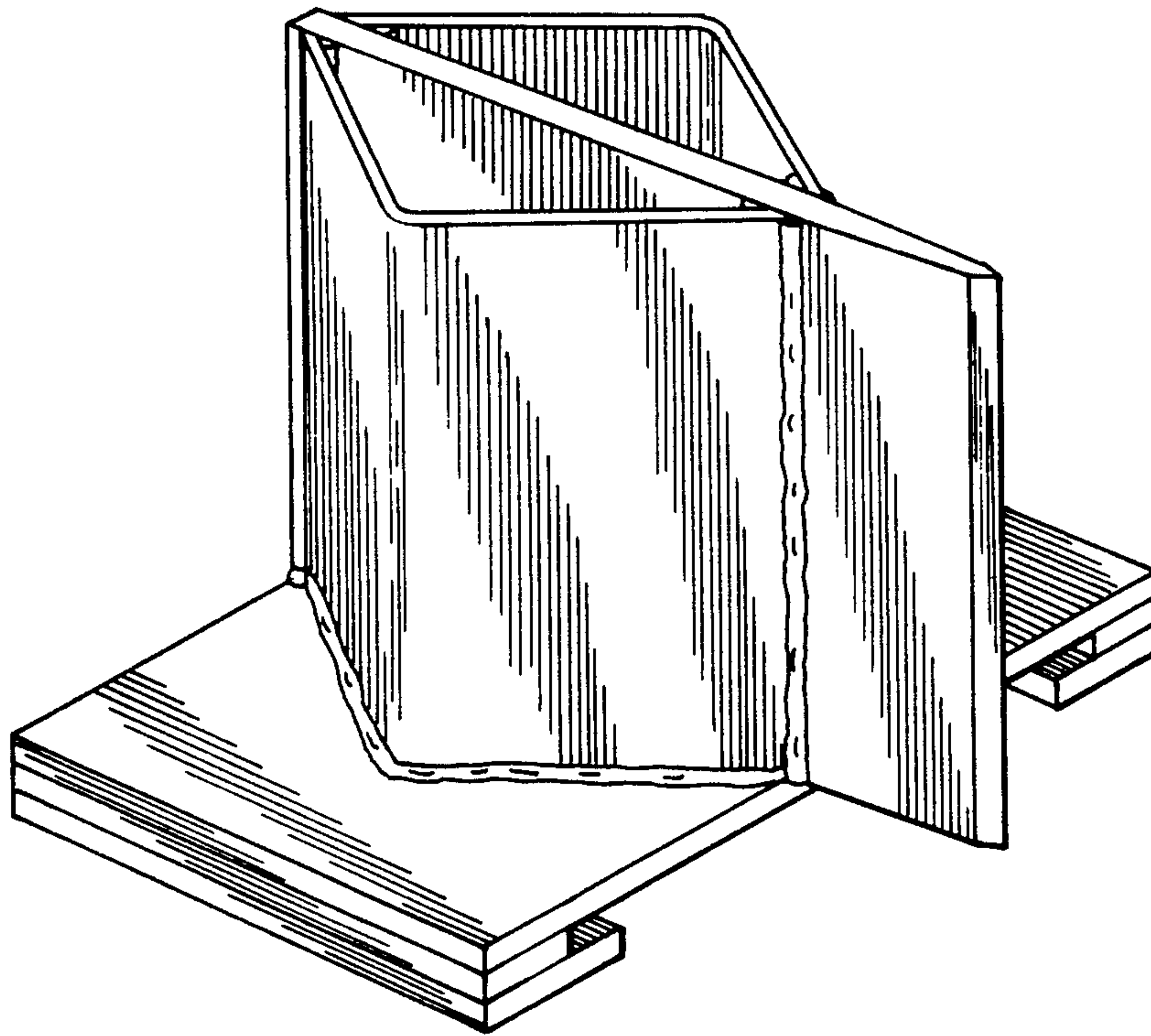
Primary Examiner—Alan P. Douglas
Attorney, Agent, or Firm—Richard D. Law

[57] CLAIM

The ornamental design for a log splitter blade, as shown.

DESCRIPTION

FIG. 1 is a perspective view of a log splitter blade embodying our ornamental design;
FIG. 2 is a top plan view thereof;
FIG. 3 is a side elevational view thereof; and
FIG. 4 is a rear elevational view thereof.



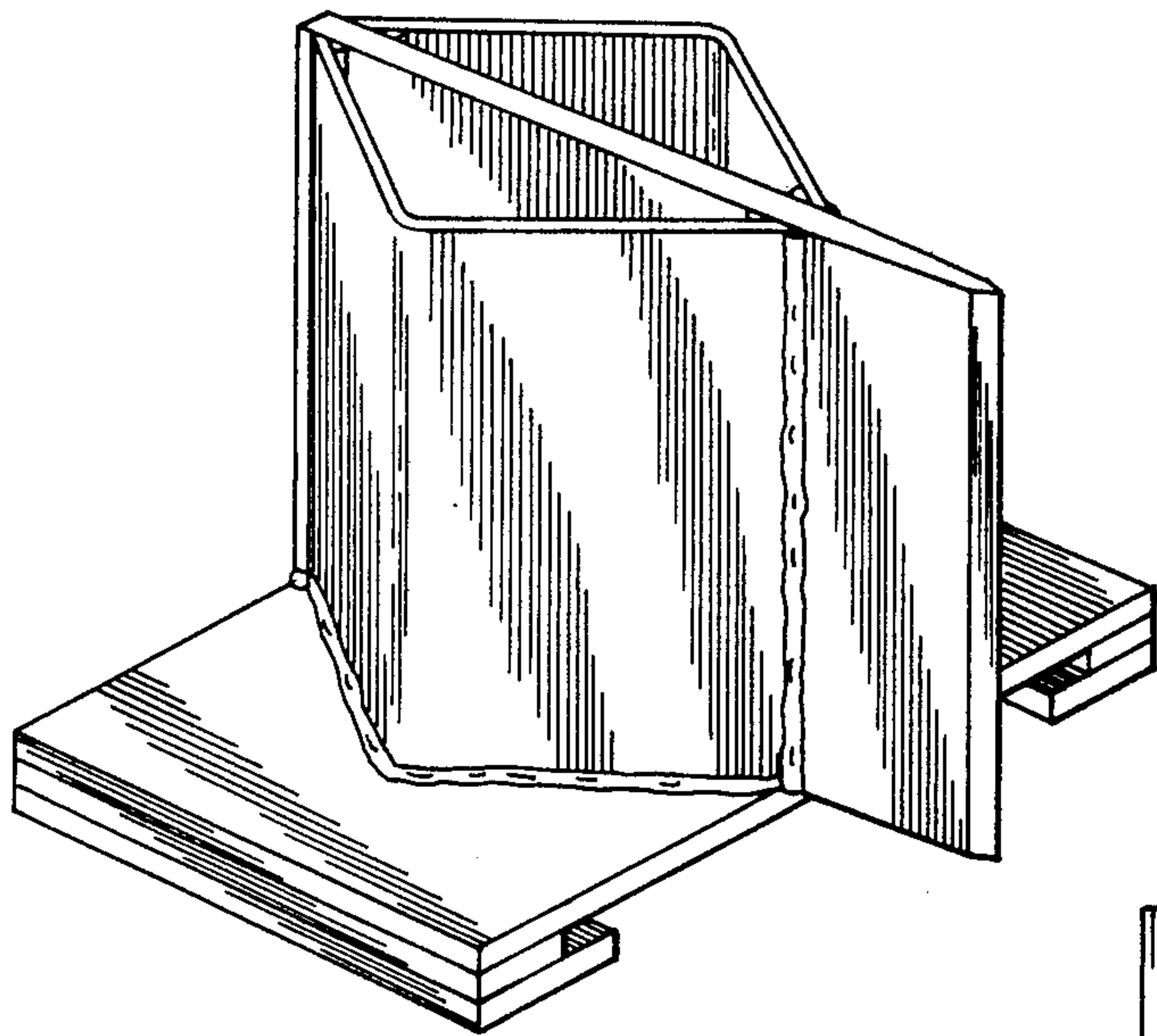


FIG. 1

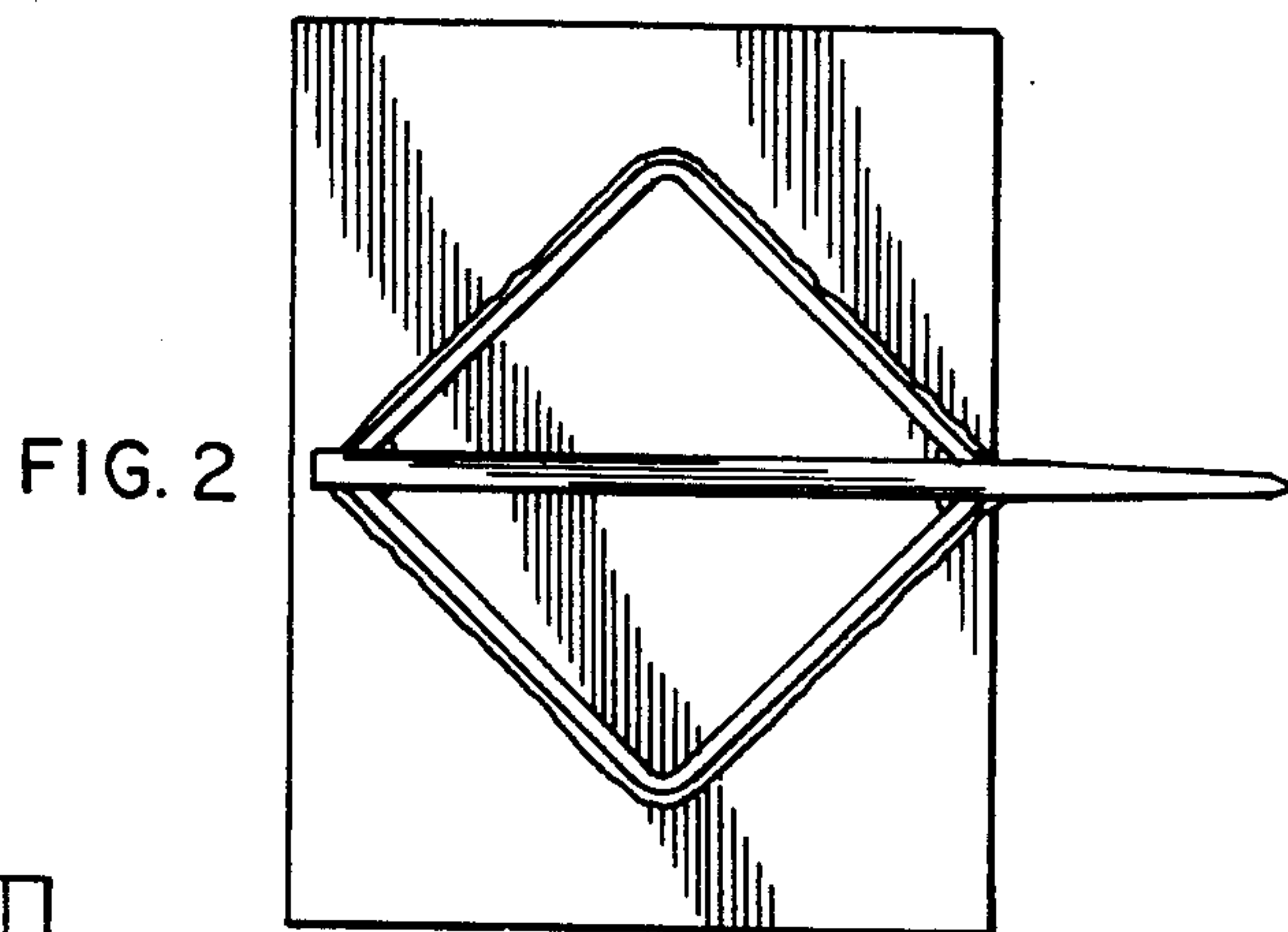


FIG. 2

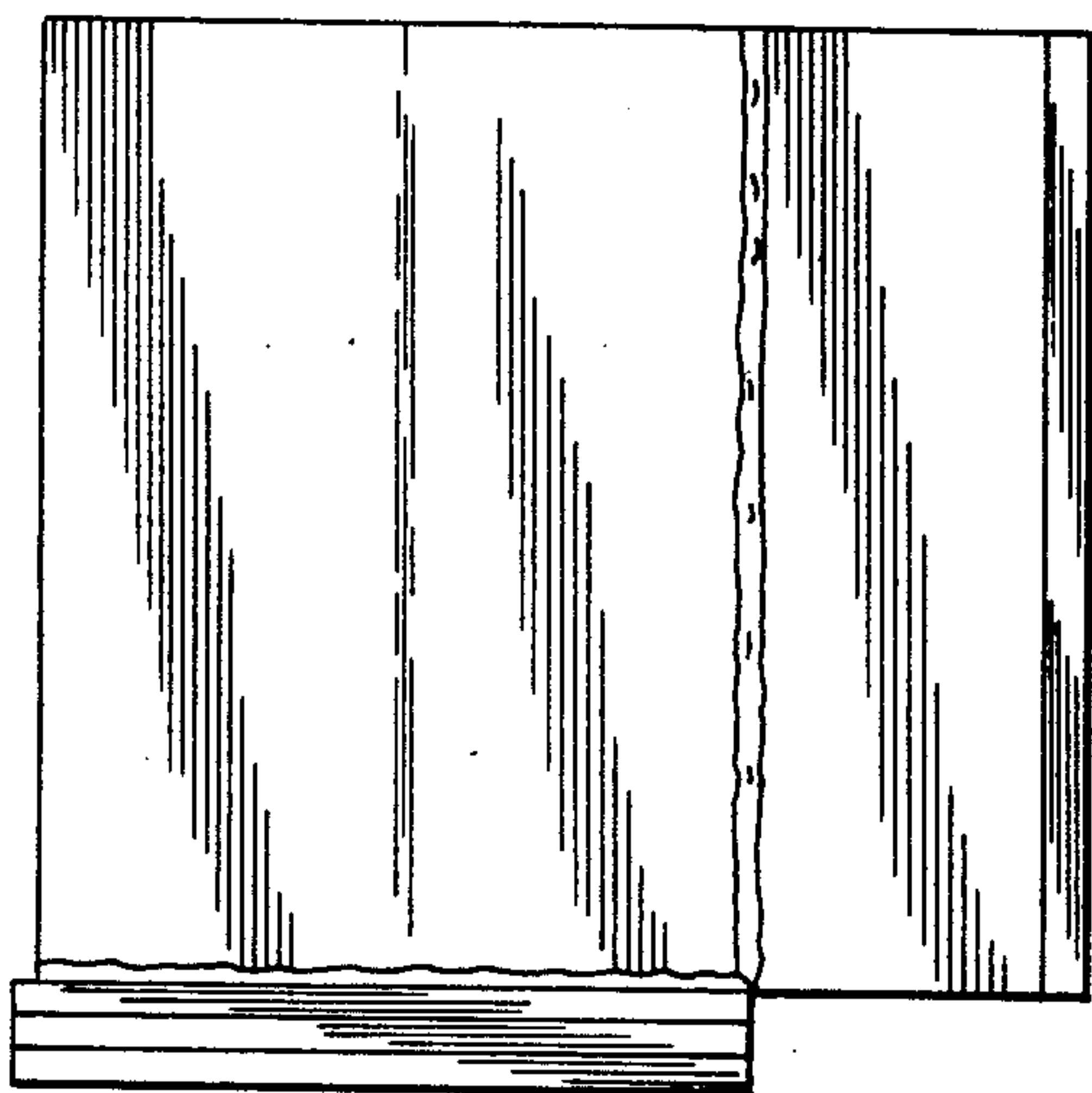


FIG. 3

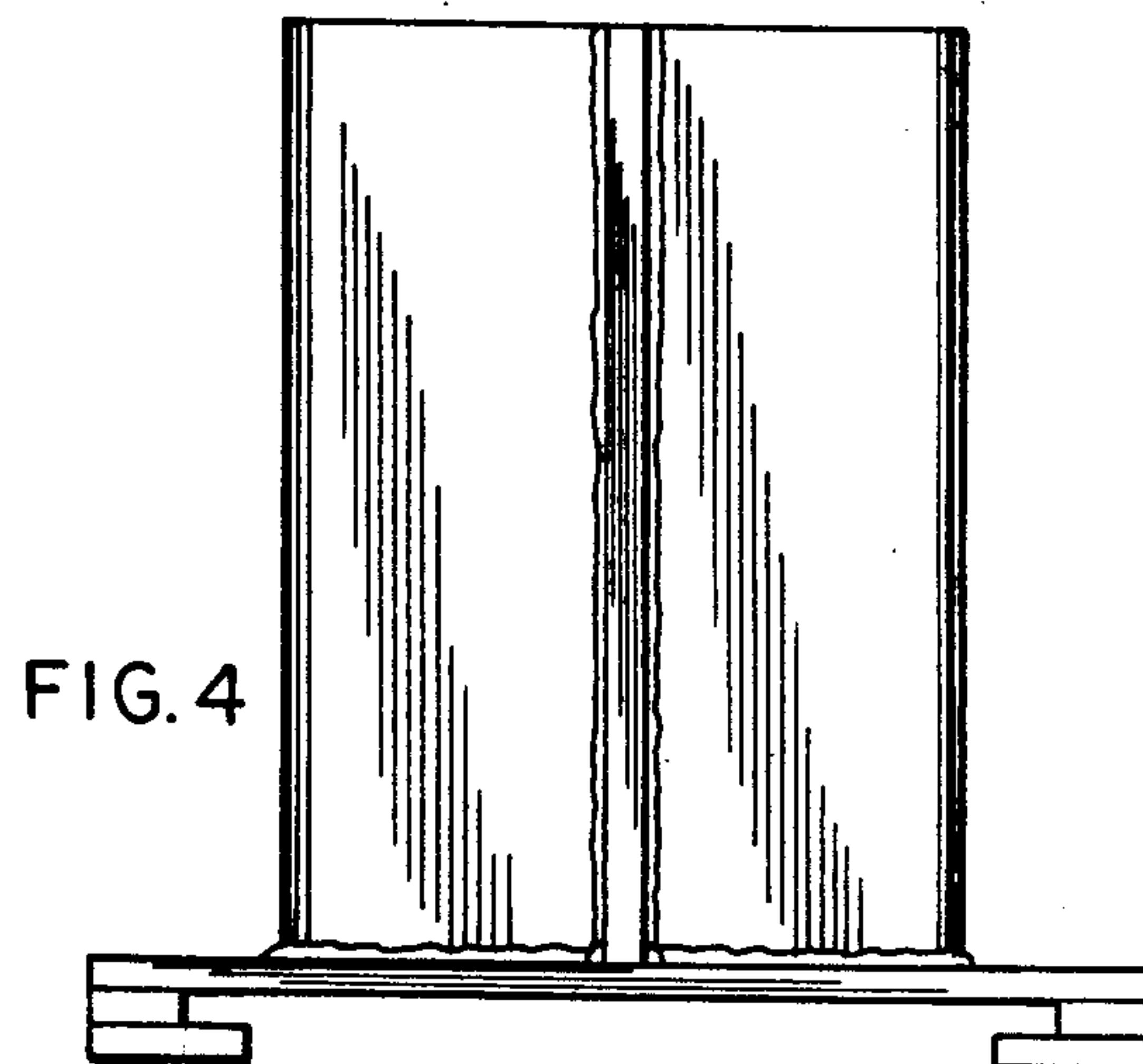


FIG. 4