

[54] **APPARATUS FOR HONING
PIEZO-ELECTRIC CRYSTALS**

[76] Inventor: **Stephen Ozimec**, 33391 Padina Cir.,
Laguna Niguel, Calif. 92677

[**] Term: **14 Years**

[21] Appl. No.: **819,376**

[22] Filed: **Jul. 27, 1977**

[51] Int. Cl. **D14-99**

[52] U.S. Cl. **D14/99**

[58] Field of Search **D14/99; 325/111;
333/83 R; 73/DIG. 4**

3,750,127 7/1973 Ayers et al. 73/DIG. 4
3,903,733 9/1975 Murayama 73/DIG. 4
4,096,740 6/1978 Sallée 73/DIG. 4

Primary Examiner—Bernard Ansher
Attorney, Agent, or Firm—Grover A. Frater

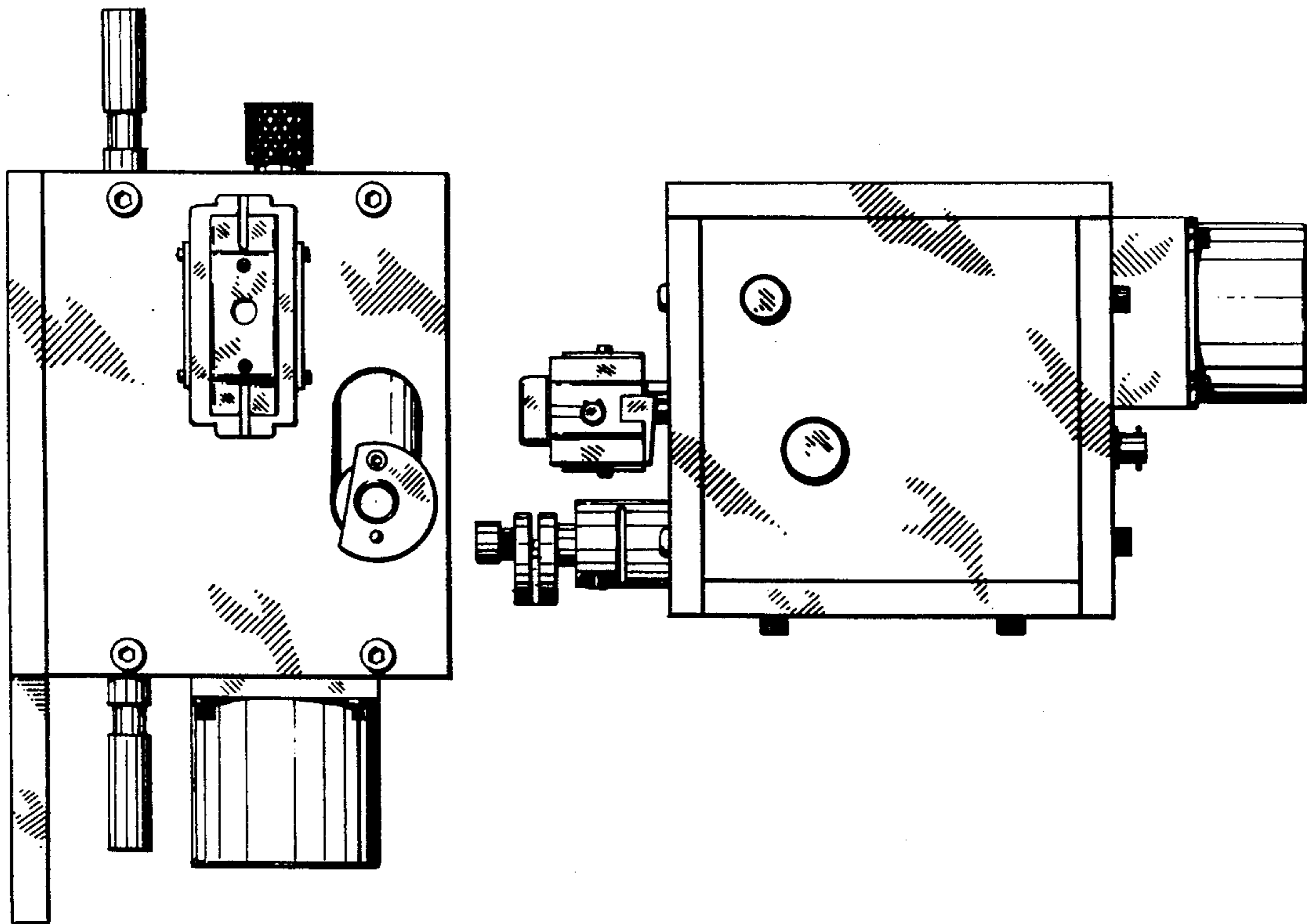
[57] **CLAIM**

The ornamental design for a apparatus for honing piezo-electric crystals, as shown and described.

DESCRIPTION

FIG. 1 is a view in front elevation of my new apparatus for honing piezo-electric crystals, showing my new design;
FIG. 2 is a view of one side thereof;
FIG. 3 is a top plan view thereof;
FIG. 4 is a rear view thereof;
FIG. 5 is a view of the other side thereof; and
FIG. 6 is a bottom plan view thereof.

[56] **References Cited**
U.S. PATENT DOCUMENTS
2,898,477 4/1959 Hoesterey 73/DIG. 4
3,158,763 11/1964 Busch et al. 73/DIG. 4



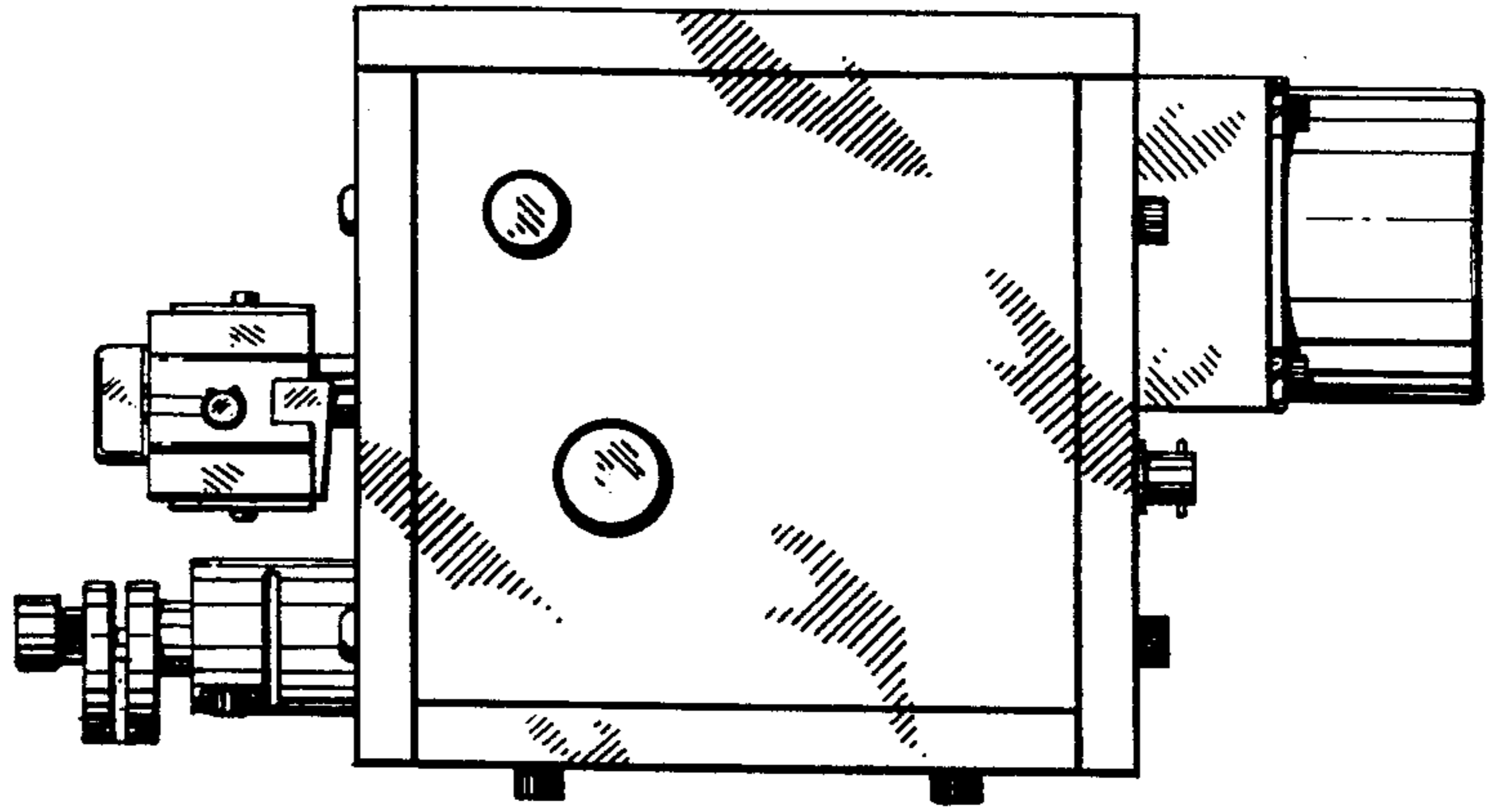


FIG. 3

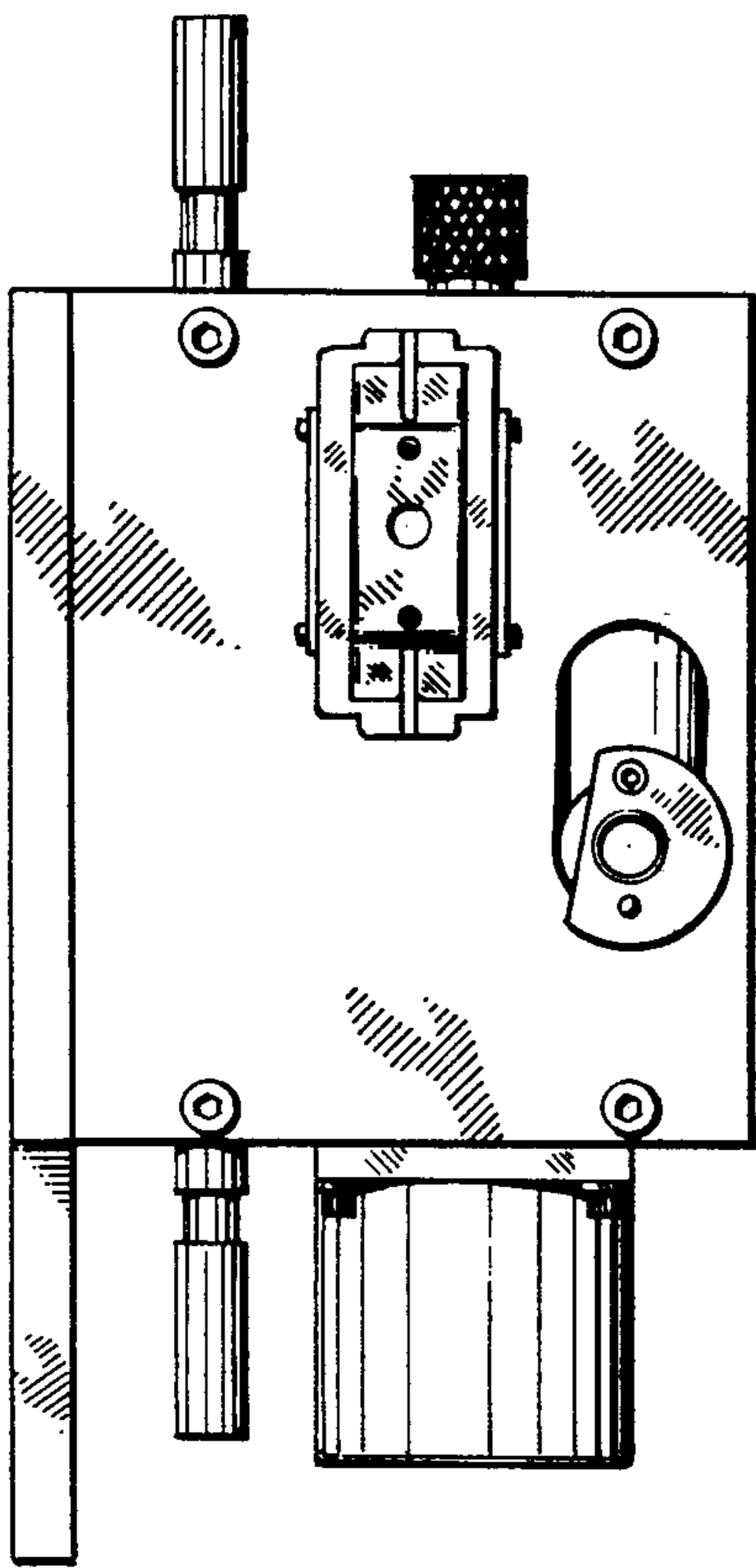


FIG. 1

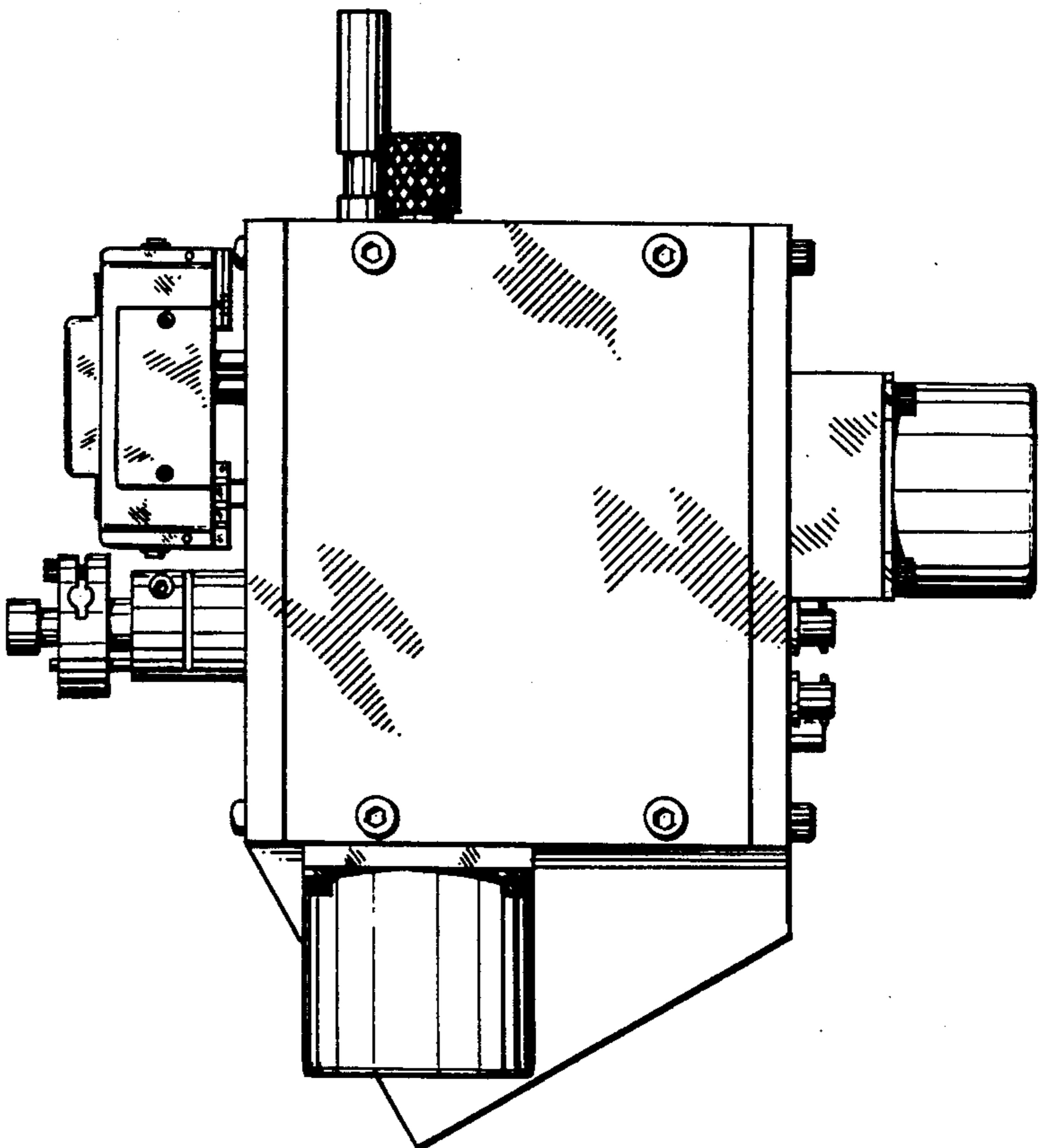


FIG. 2

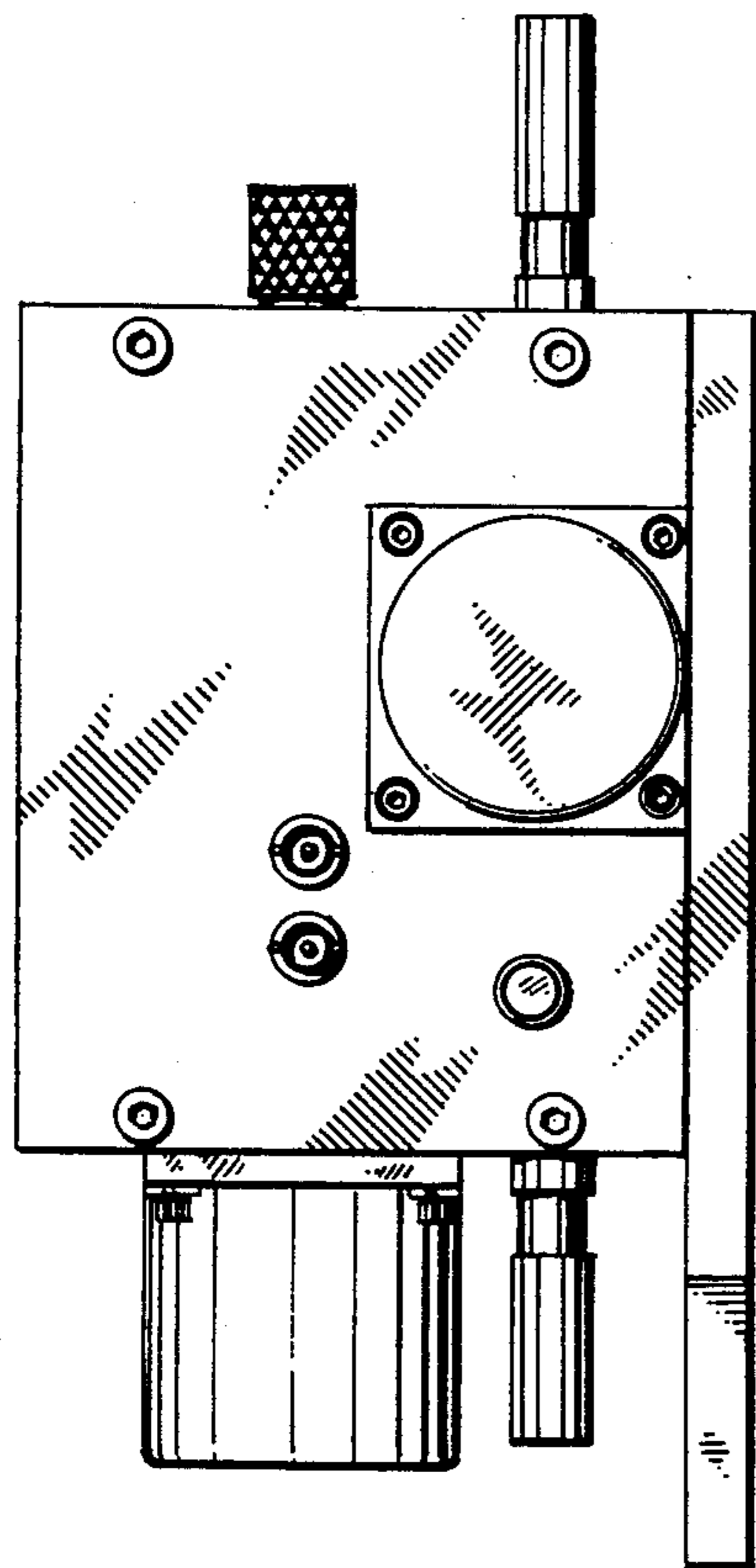


FIG. 4

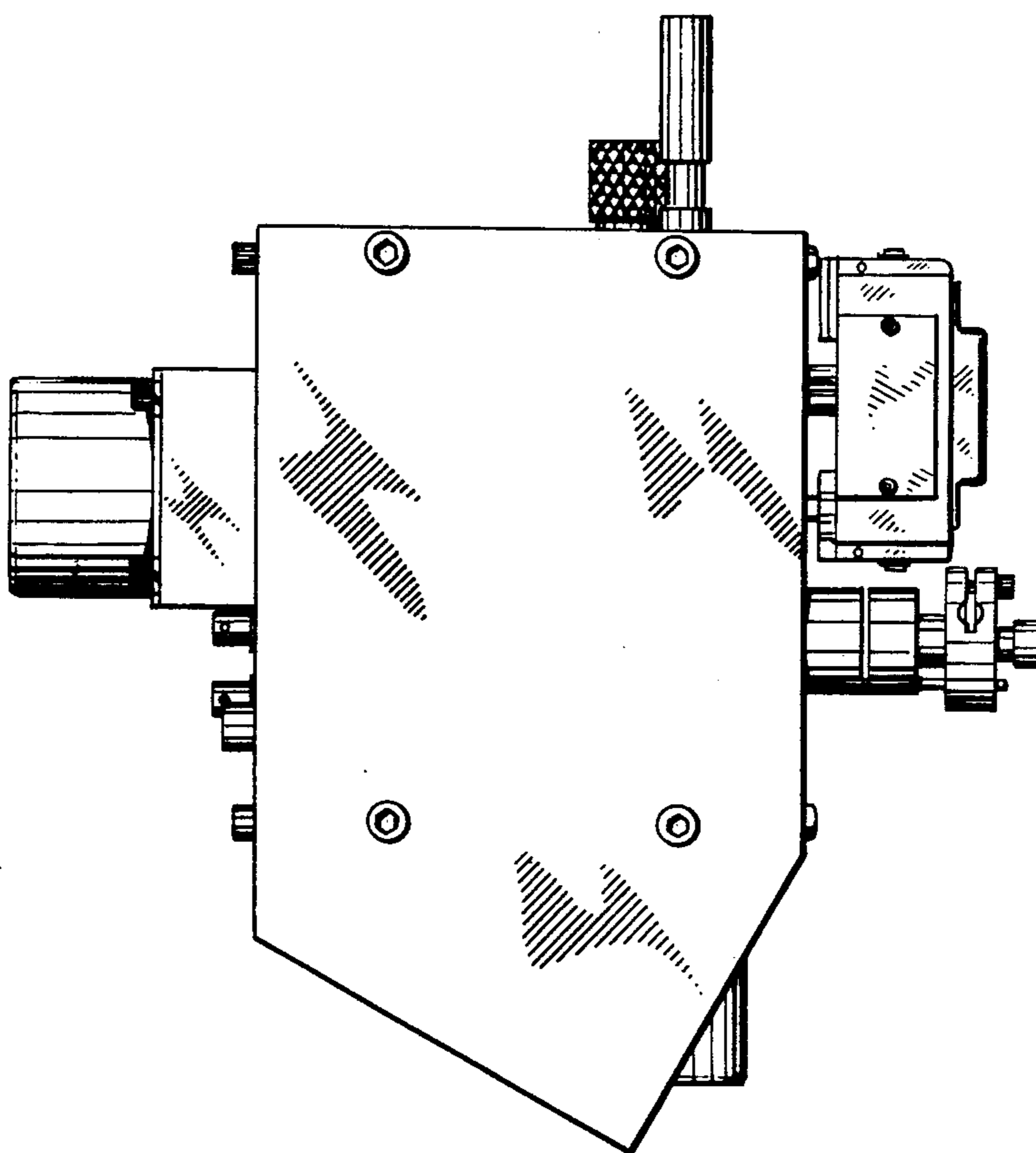


FIG. 5

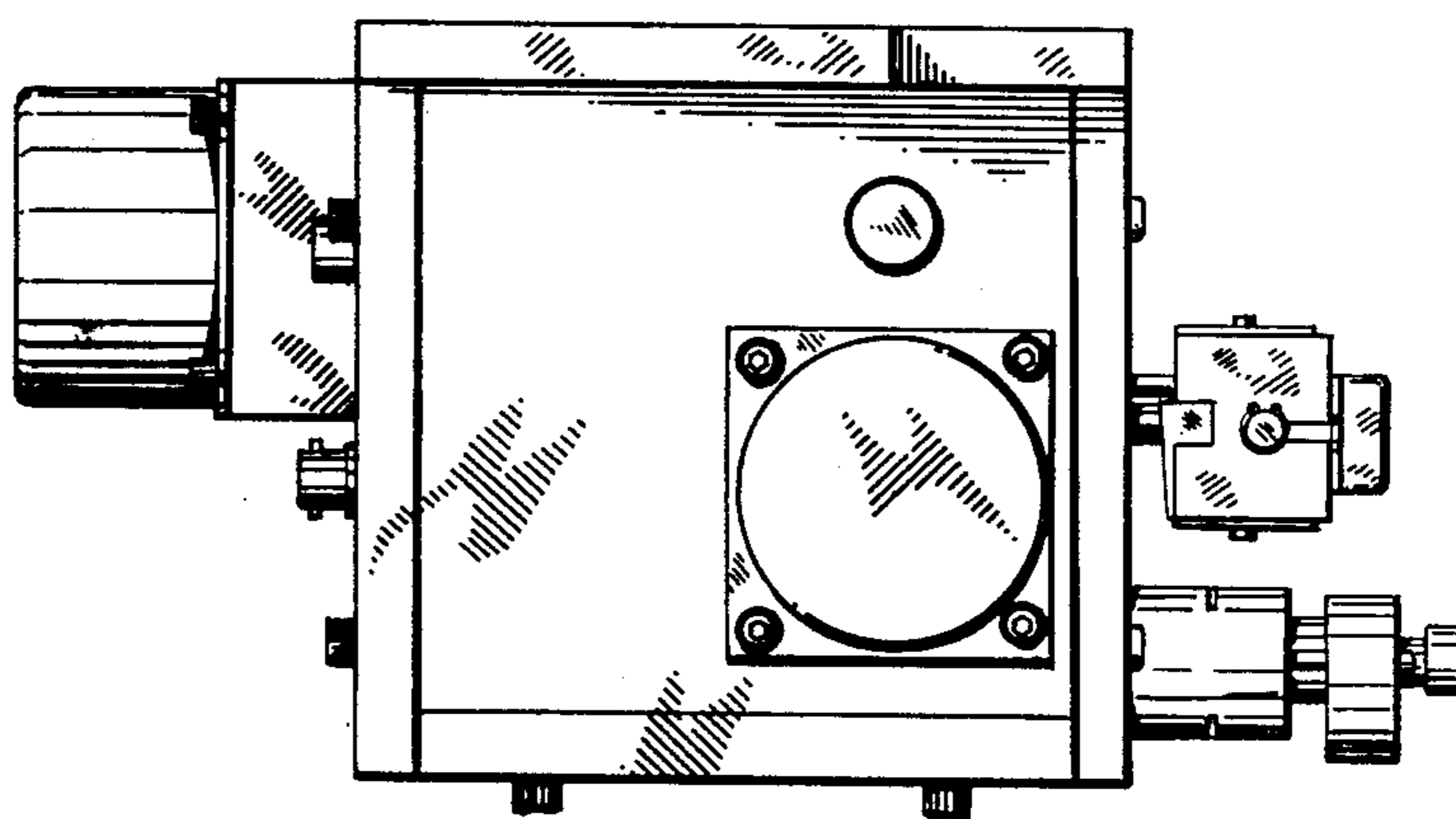


FIG. 6