

[54] MICROFILM CASSETTE

[75] Inventor: George N. McGuire, deceased, late of St. Tammany Parish, La., by Bertie Inez Strickland McGuire, Sheila Lynne McGuire, Cheryl Ann McGuire, heirs

[73] Assignees: Bertie Inez Strickland McGuire; Sheila Lynne McGuire; Cheryl Ann McGuire, all of Slidell, La.

[\*\*] Term: 14 Years

[21] Appl. No.: 832,079

[22] Filed: Sep. 9, 1977

[51] Int. Cl. .... D16-05; D14-99

[52] U.S. Cl. .... D14/11

[58] Field of Search .... D14/11; 242/197, 198, 242/199, 200, 55, 194, 18 A; 360/93, 94, 95, 96, 132, 133, 134

[56]

References Cited

U.S. PATENT DOCUMENTS

D. 190,029	4/1961	Butler et al. ....	D14/11
D. 244,202	5/1977	Corrado et al. ....	D14/11
D. 247,033	1/1978	Muramatsu et al. ....	D14/11
D. 250,613	12/1978	Goodman et al. ....	D14/11

Primary Examiner—Bernard Ansher  
Attorney, Agent, or Firm—C. Emmett Pugh & Associates, Ltd.

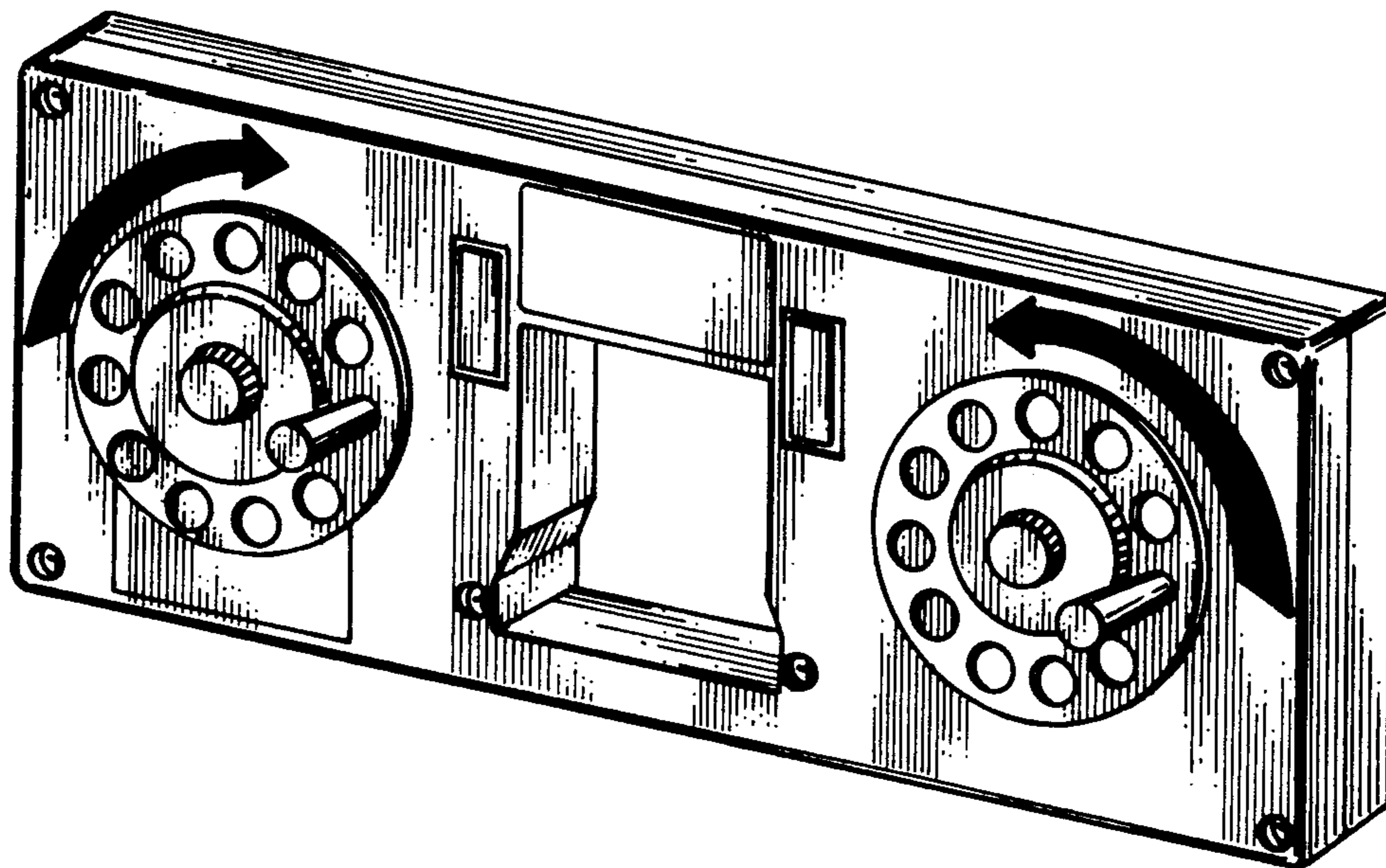
[57]

CLAIM

The ornamental design for the microfilm cassette, as shown and described.

DESCRIPTION

FIG. 1 is a perspective view of a microfilm cassette showing my new design;  
FIG. 2 is a top plan view thereof;  
FIG. 3 is a front elevational view thereof;  
FIG. 4 is a rear elevational view thereof; and  
FIG. 5 is a right side elevational view thereof.  
The side opposite to that shown in FIG. 5 is a mirror image thereof.



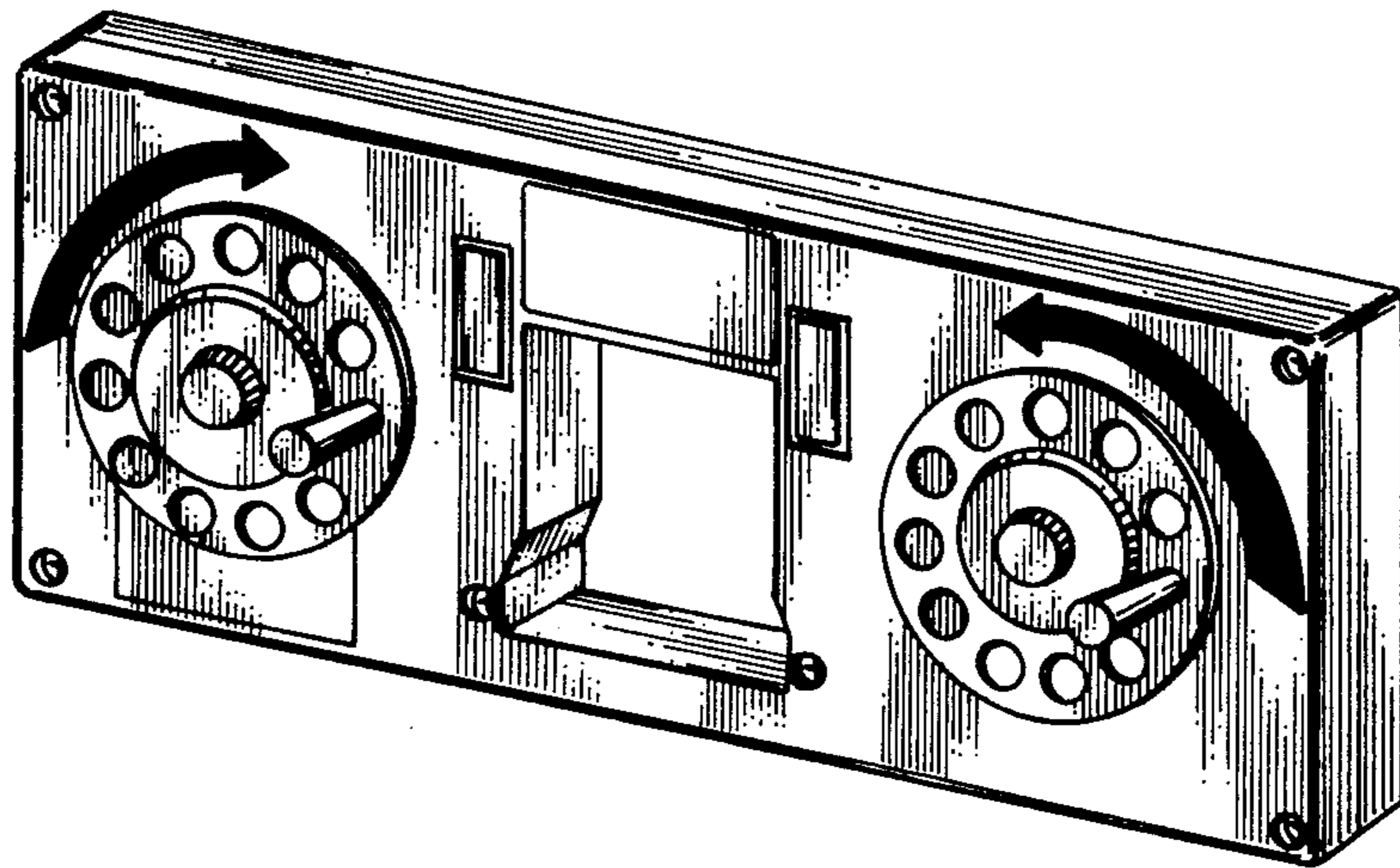


FIG. 1.

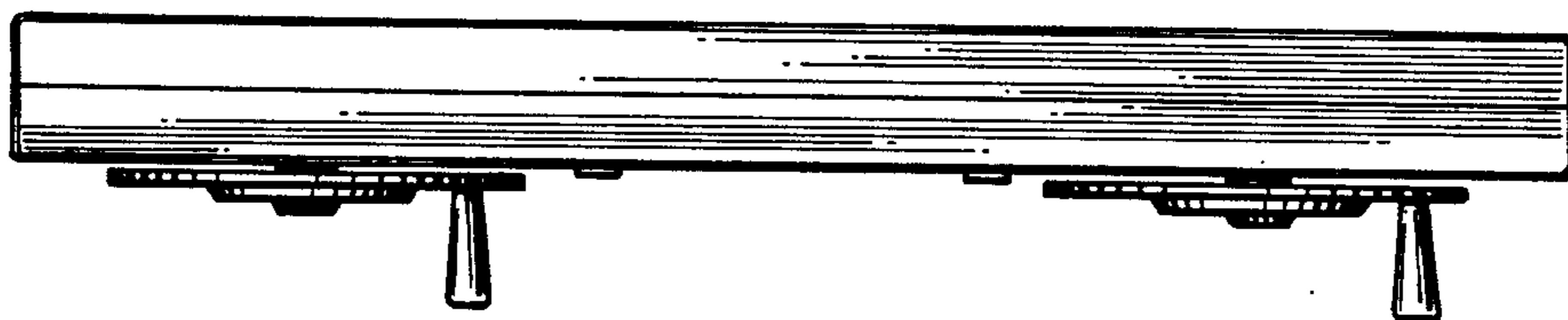


FIG. 2.

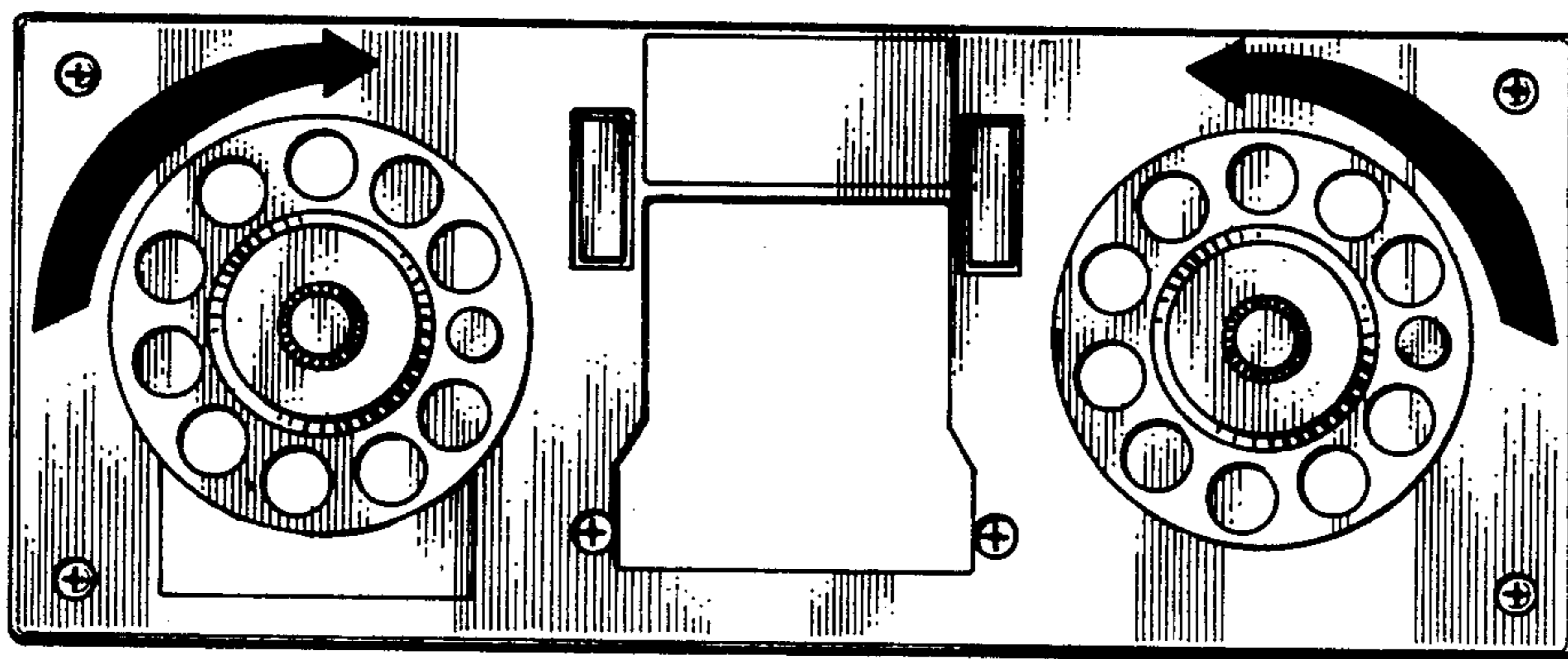


FIG. 3.

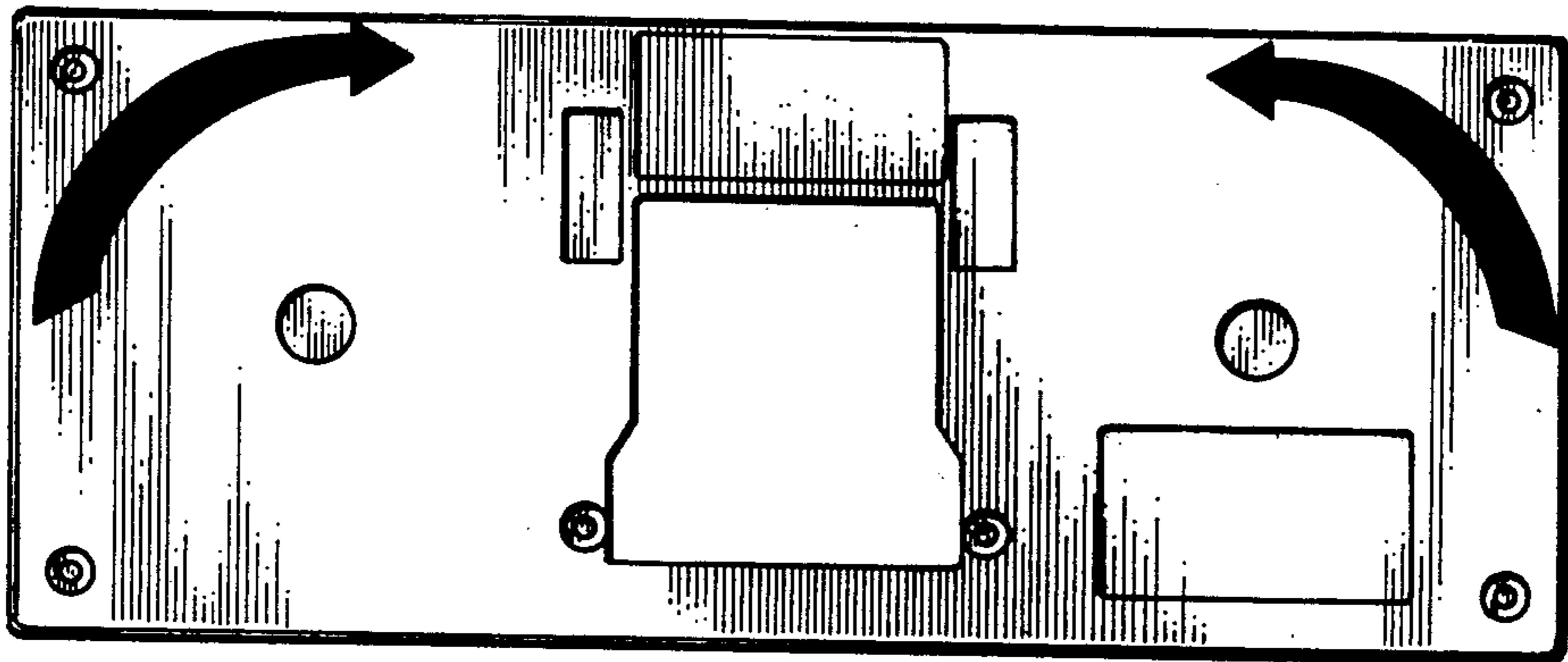


FIG. 4.

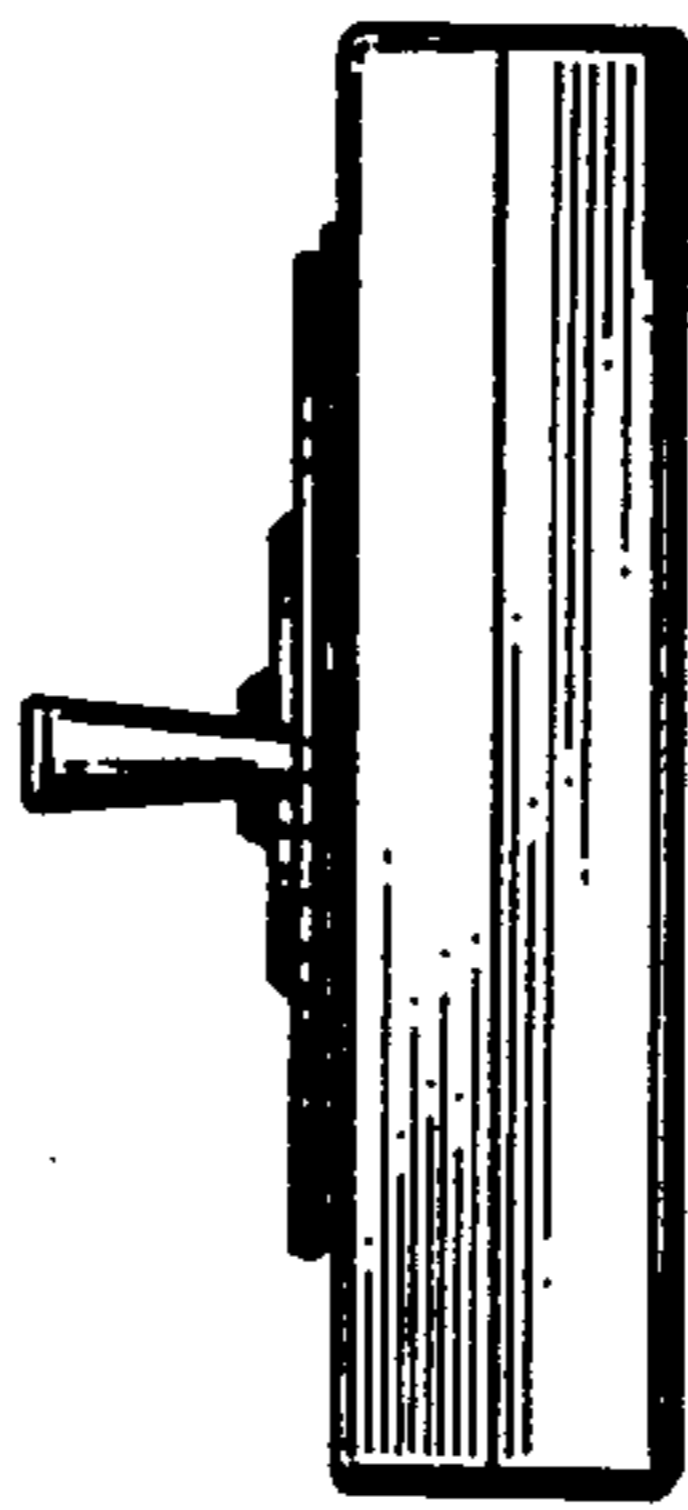


FIG. 5.