

[54] AIR VELOCITY GAUGE  
[75] Inventors: Steven O. Buchanan, Michigan City;  
Robert W. Butts, Lakeville, both of  
Ind.

[73] Assignee: Dwyer Instruments, Inc.

[\*\*] Term: 14 Years

[21] Appl. No.: 903,226

[22] Filed: May 5, 1978

[51] Int. Cl. .... D10-04

[52] U.S. Cl. .... D10/96

[58] Field of Search ..... D10/46, 59, 60, 65,  
D10/69, 83, 85, 96, 98; 73/186, 228

[56] References Cited

U.S. PATENT DOCUMENTS

2,075,424 3/1937 Bull ..... 73/186  
2,889,707 6/1959 Snider ..... 73/228

3,796,097 3/1974 Ruskin ..... 73/228  
3,955,415 5/1976 Sharon ..... 73/228  
4,154,101 5/1979 Buchanan et al. .... 73/228

FOREIGN PATENT DOCUMENTS

2257114 1/1974 Fed. Rep. of Germany ..... 73/186  
277914 9/1927 United Kingdom ..... 73/186

Primary Examiner—Nelson C. Holtje  
Attorney, Agent, or Firm—Thomas F. McWilliams

[57] CLAIM

The ornamental design for an air velocity gauge, substantially as shown and described.

DESCRIPTION

FIG. 1 is a front elevational view of an air velocity gauge showing our new design;  
FIG. 2 is a top plan view thereof;  
FIG. 3 is a bottom plan view thereof;  
FIG. 4 is a right front perspective view thereof;  
FIG. 5 is a left rear perspective view thereof; and  
FIG. 6 is a right side elevational view thereof.

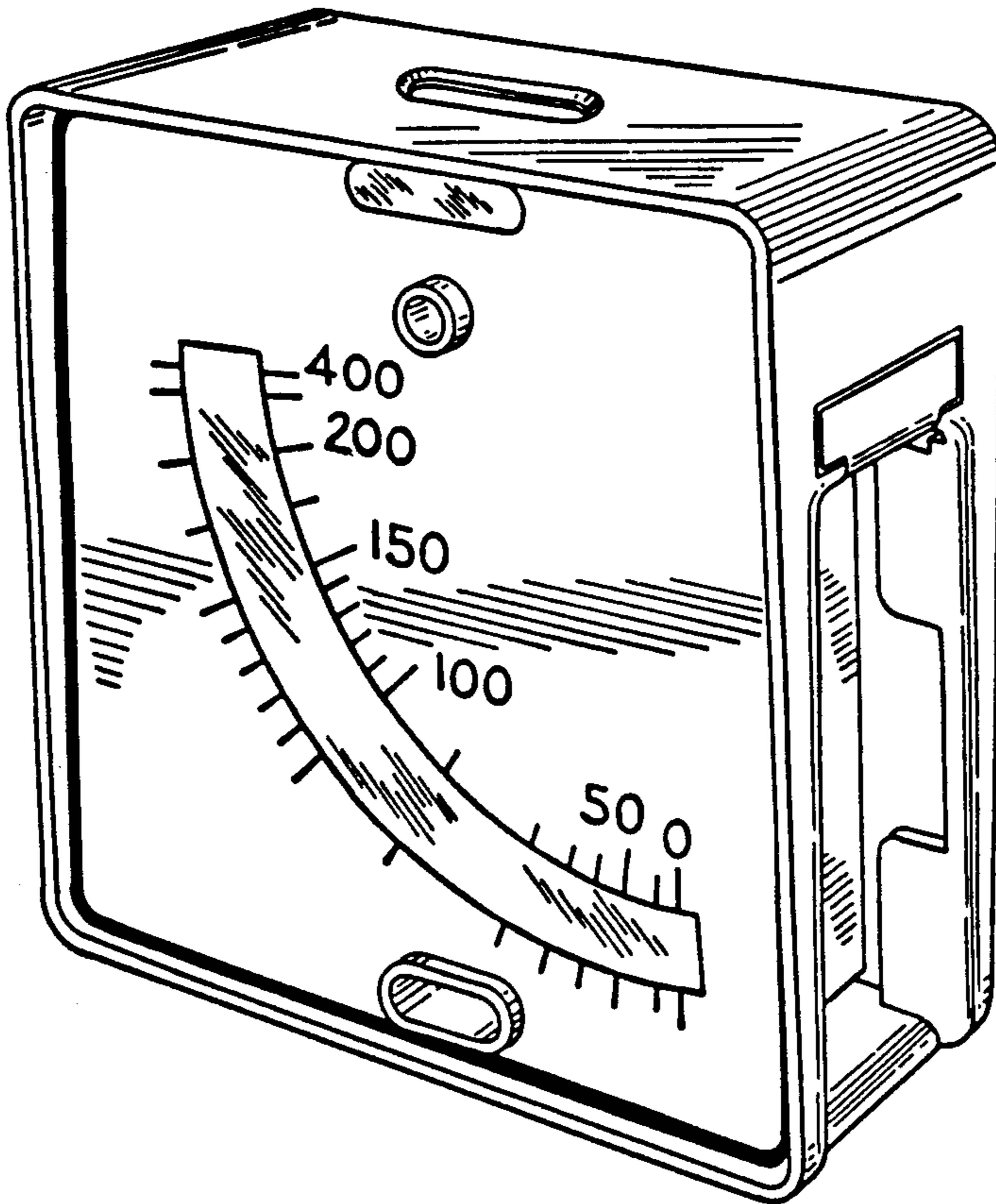


FIG. 1

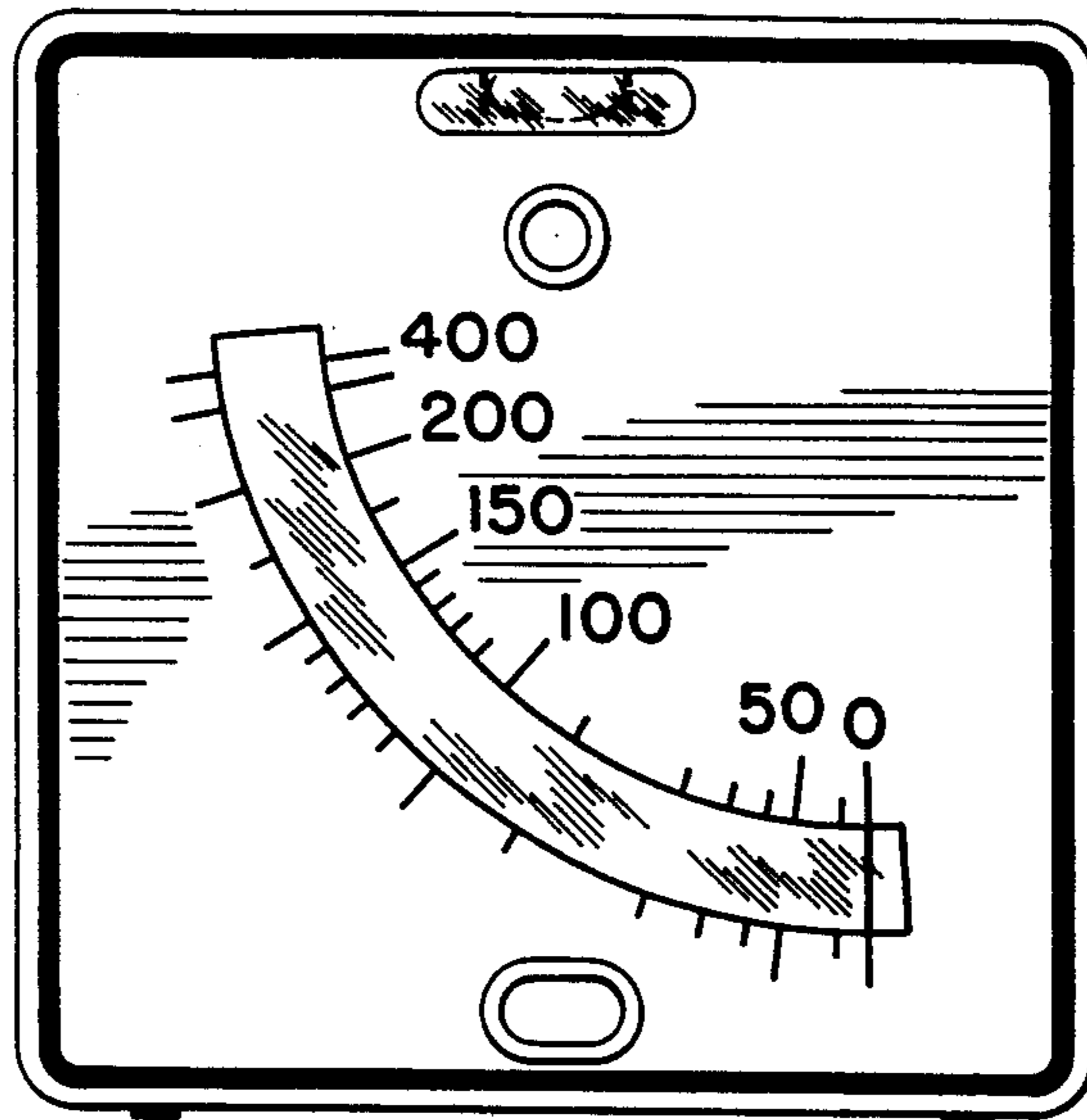


FIG. 2

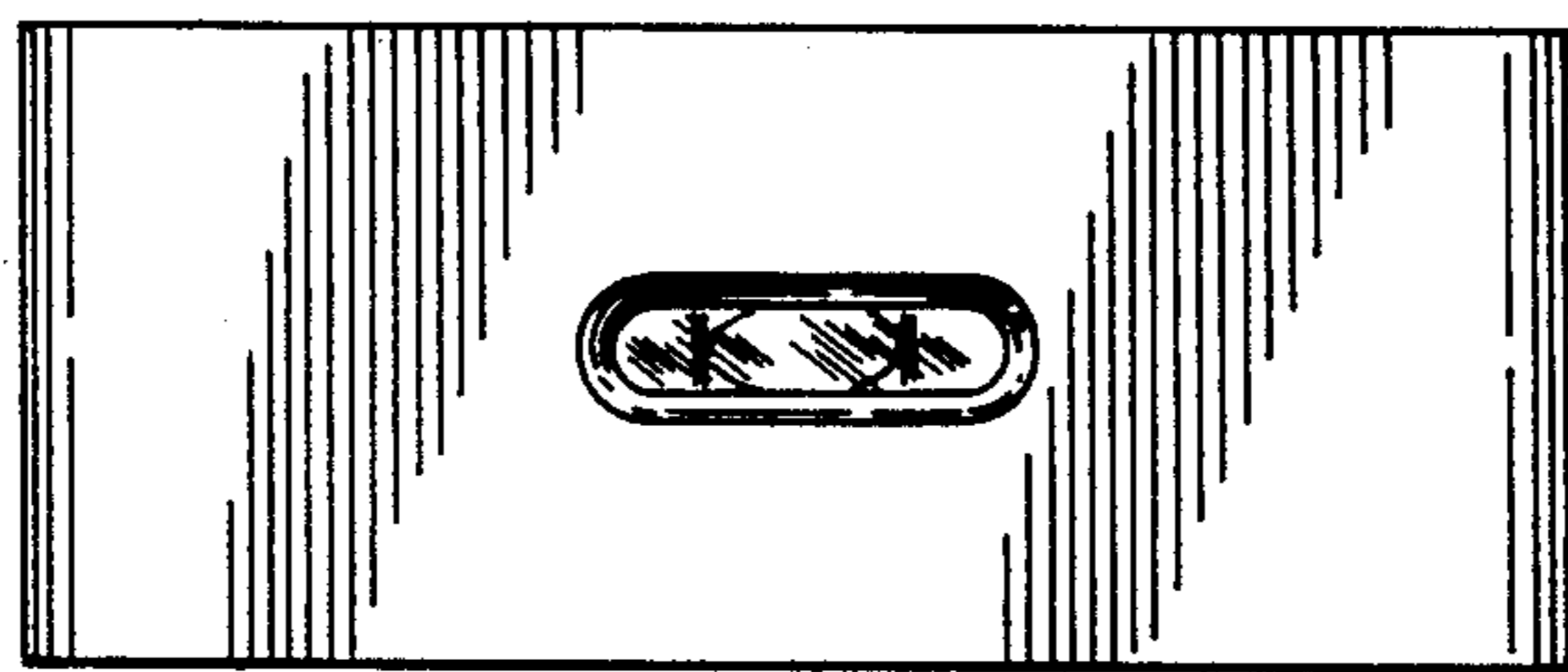


FIG. 3

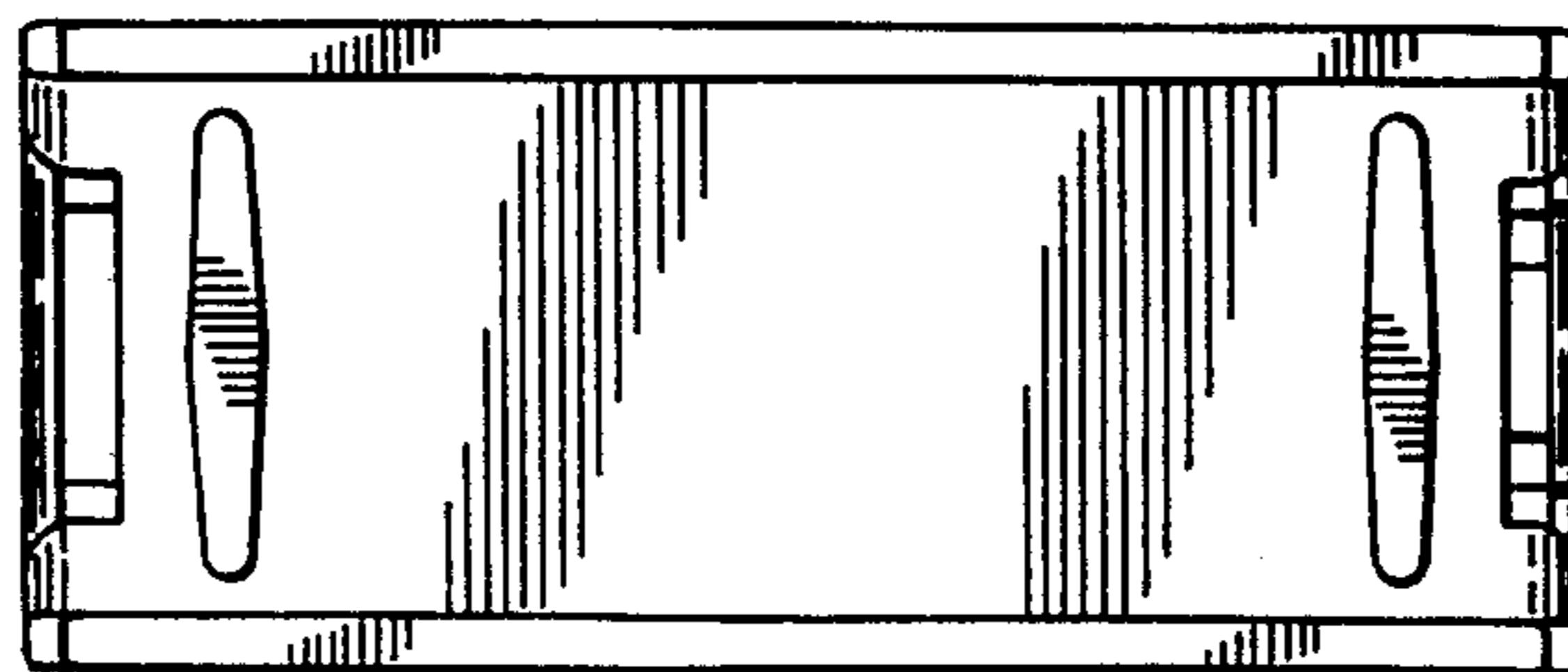


FIG. 4.

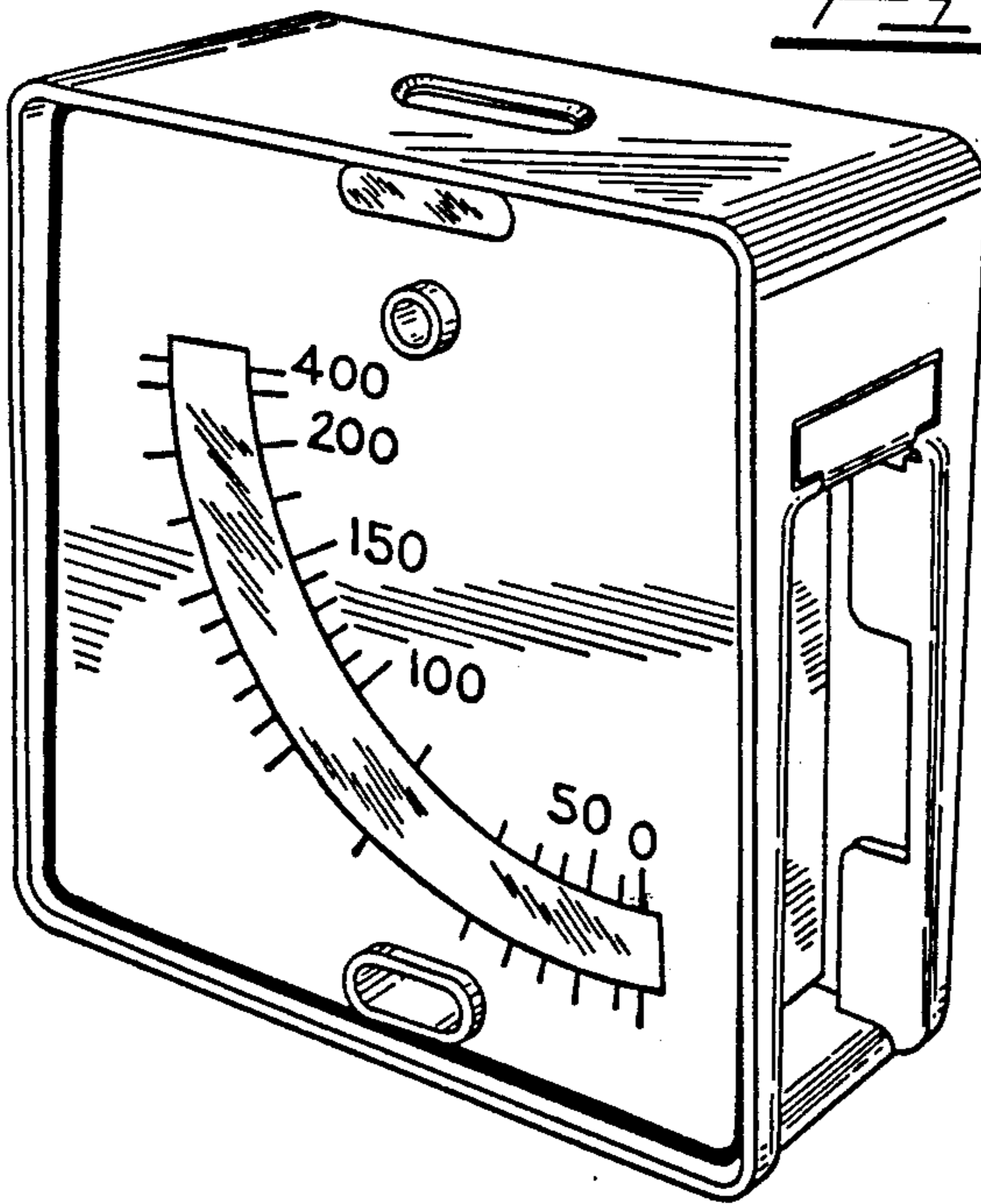


FIG. 5.

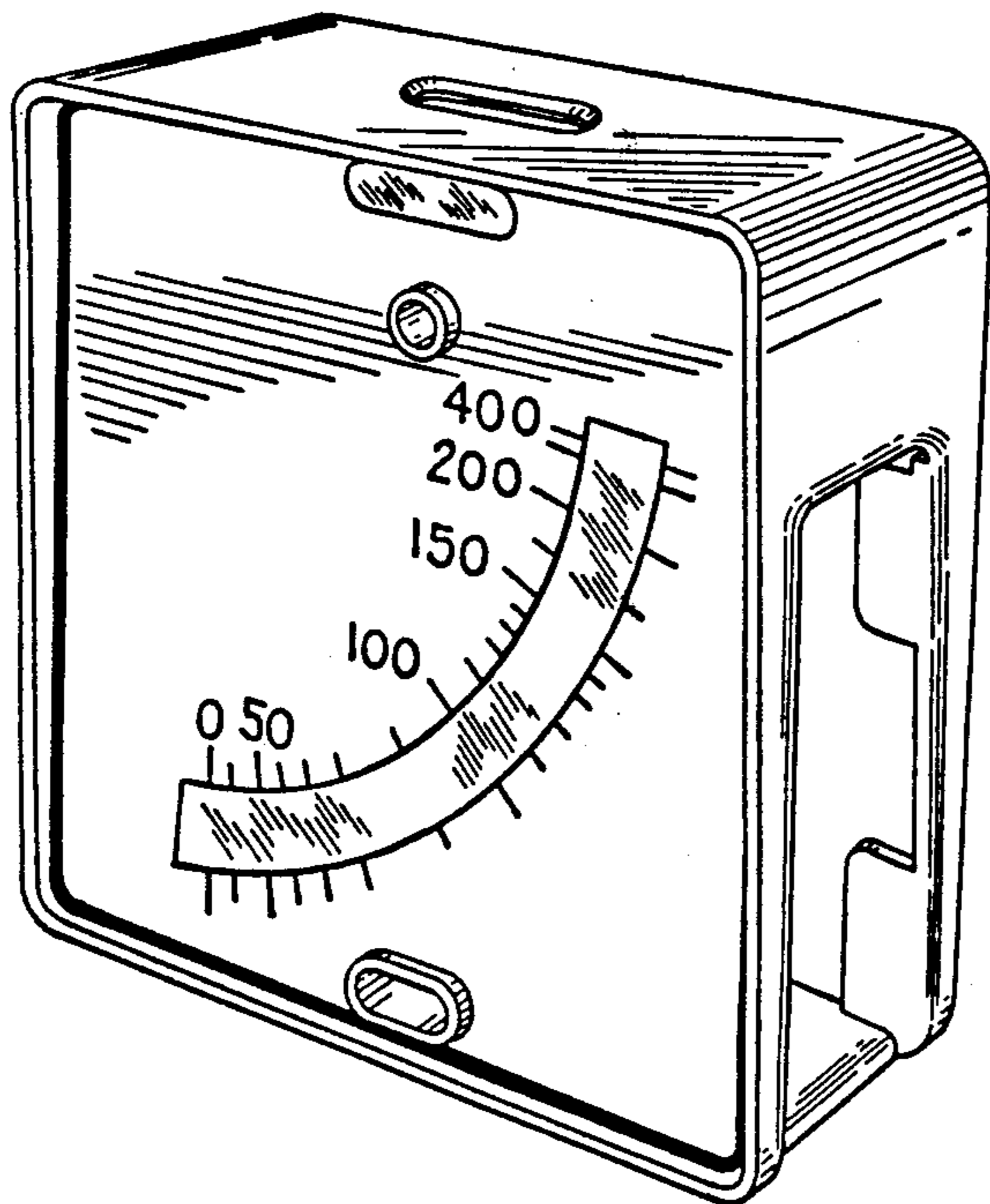


FIG. 6

