

United States Patent [19]

Dugan et al.

[11] **Des. 255,658**

[45] **** Jul. 1, 1980**

[54] **PACKAGING TRAY**
[75] **Inventors: David R. Dugan, Warsaw; Kenneth E. Prince, Indianapolis, both of Ind.**
[73] **Assignee: Owens-Illinois, Inc., Toledo, Ohio**
[**] **Term: 14 Years**
[21] **Appl. No.: 837,952**
[22] **Filed: Sep. 29, 1977**
[51] **Int. Cl. D9-03**
[52] **U.S. Cl. D9/219; D9/242**
[58] **Field of Search D9/219, 235, 240, 242; 229/30, 1.5 R, 2.5 R; 206/518, 557-564; D7/16, 37, 38, 76**

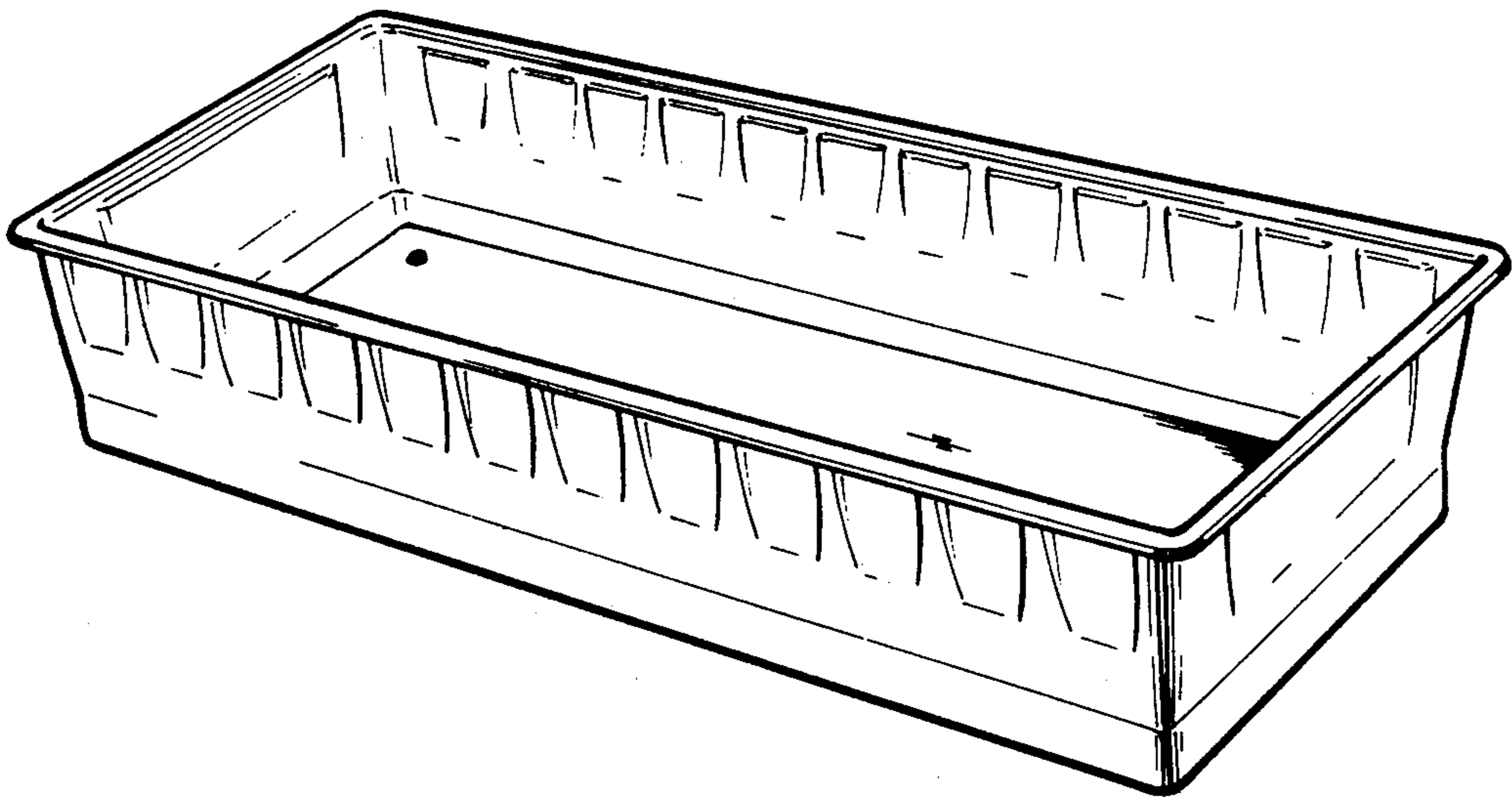
[56] **References Cited**
U.S. PATENT DOCUMENTS
D. 233,628 11/1974 Dunning et al. D9/240 X
D. 234,568 3/1975 Swett D7/16

D. 248,621 7/1978 Hay et al. D9/240 X
D. 251,479 4/1979 Cherry D9/242 X
2,704,974 3/1955 Setman 206/518 X
3,326,408 6/1967 Ringlen 206/518 X

Primary Examiner—Robert C. Spangler
Attorney, Agent, or Firm—John R. Nelson; Myron E. Click; David H. Wilson

[57] **CLAIM**
The ornamental design for a packaging tray, as shown and described.

DESCRIPTION
FIG. 1 is a top perspective view of a packaging tray showing our new design;
FIG. 2 is another perspective view showing the side not seen in FIG. 1; and
FIG. 3 is a bottom plan view thereof on an enlarged scale.
The end not shown is the same in appearance as the end shown in FIG. 1.



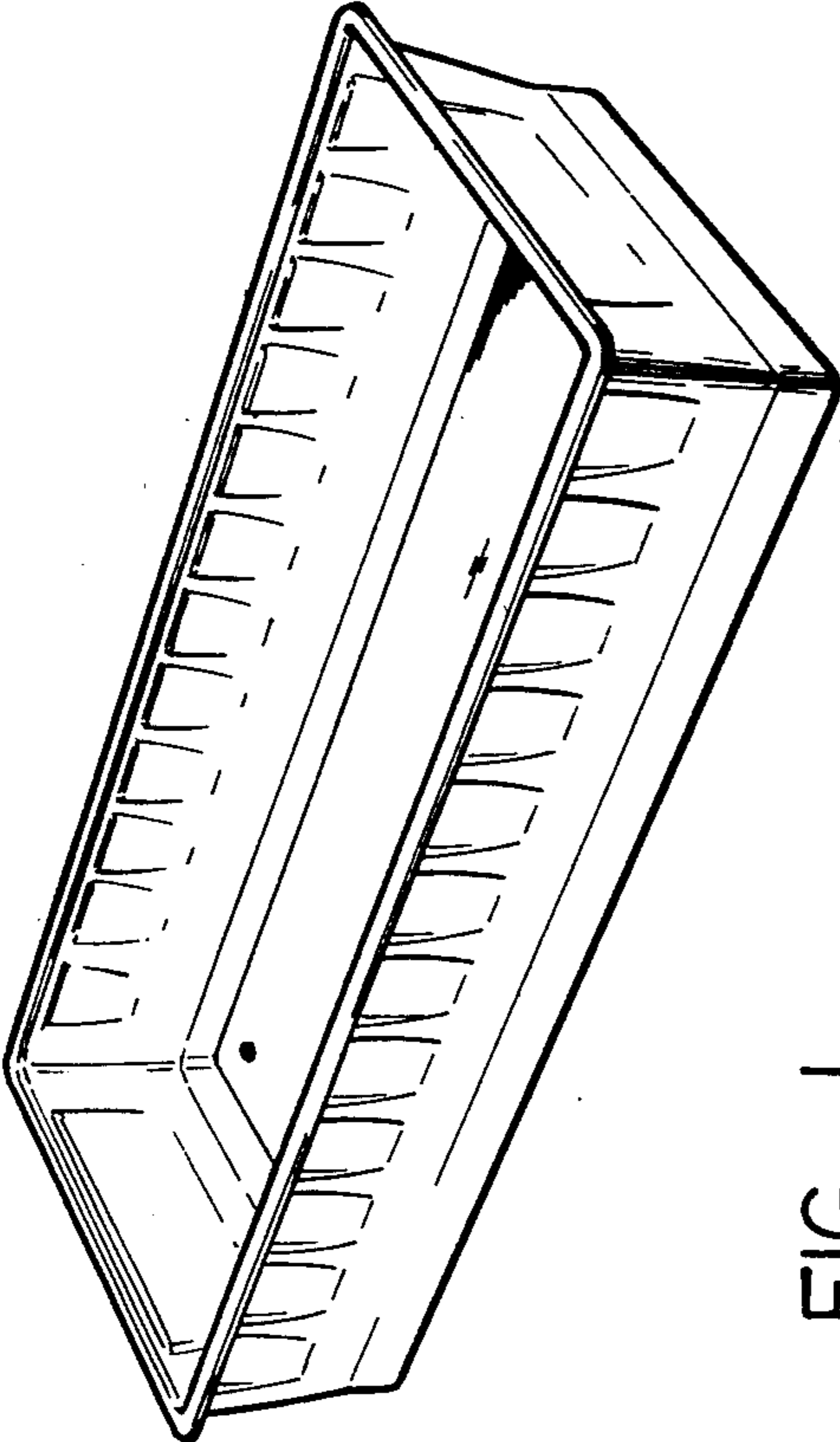


FIG. 1

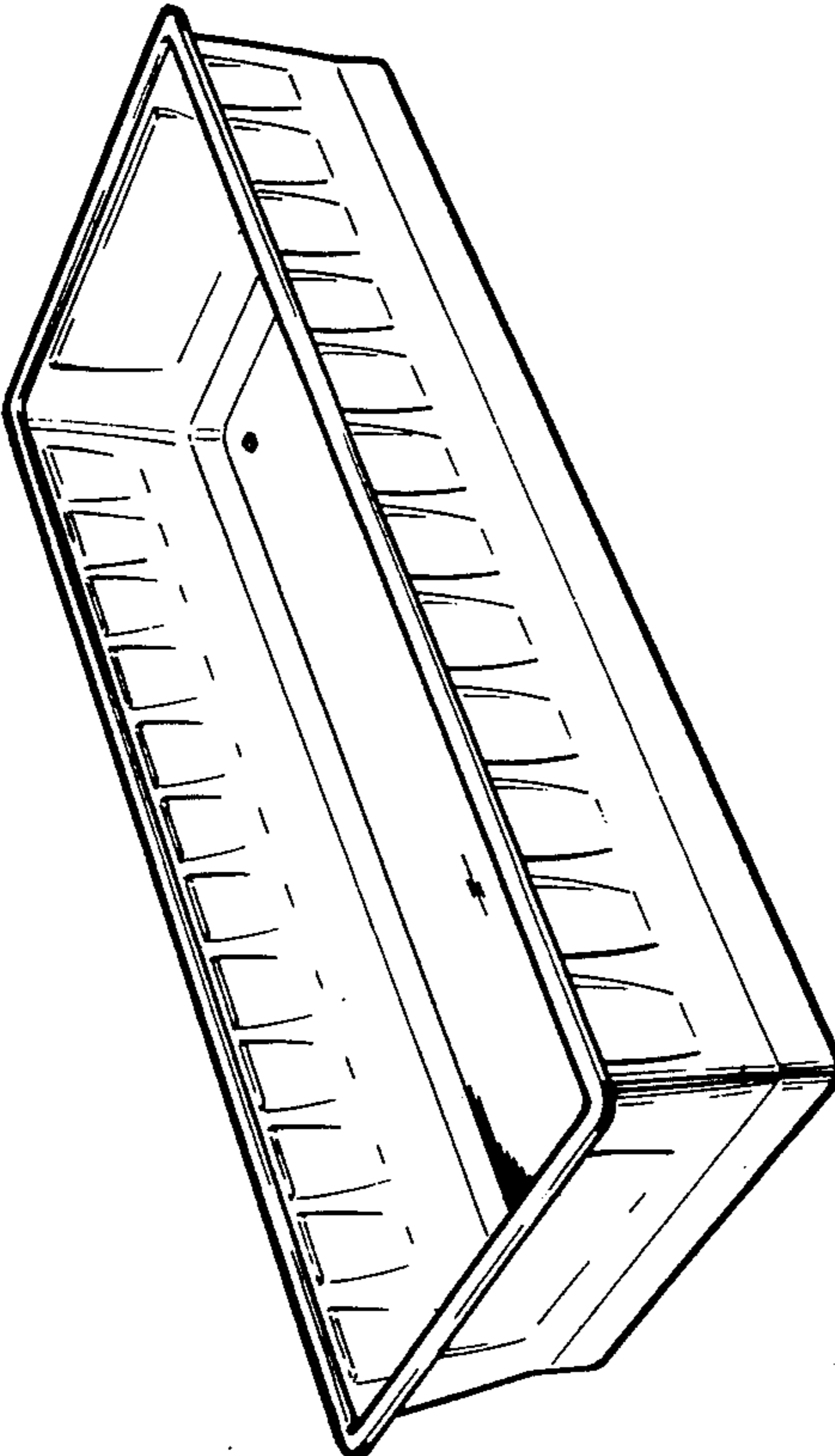


FIG. 2

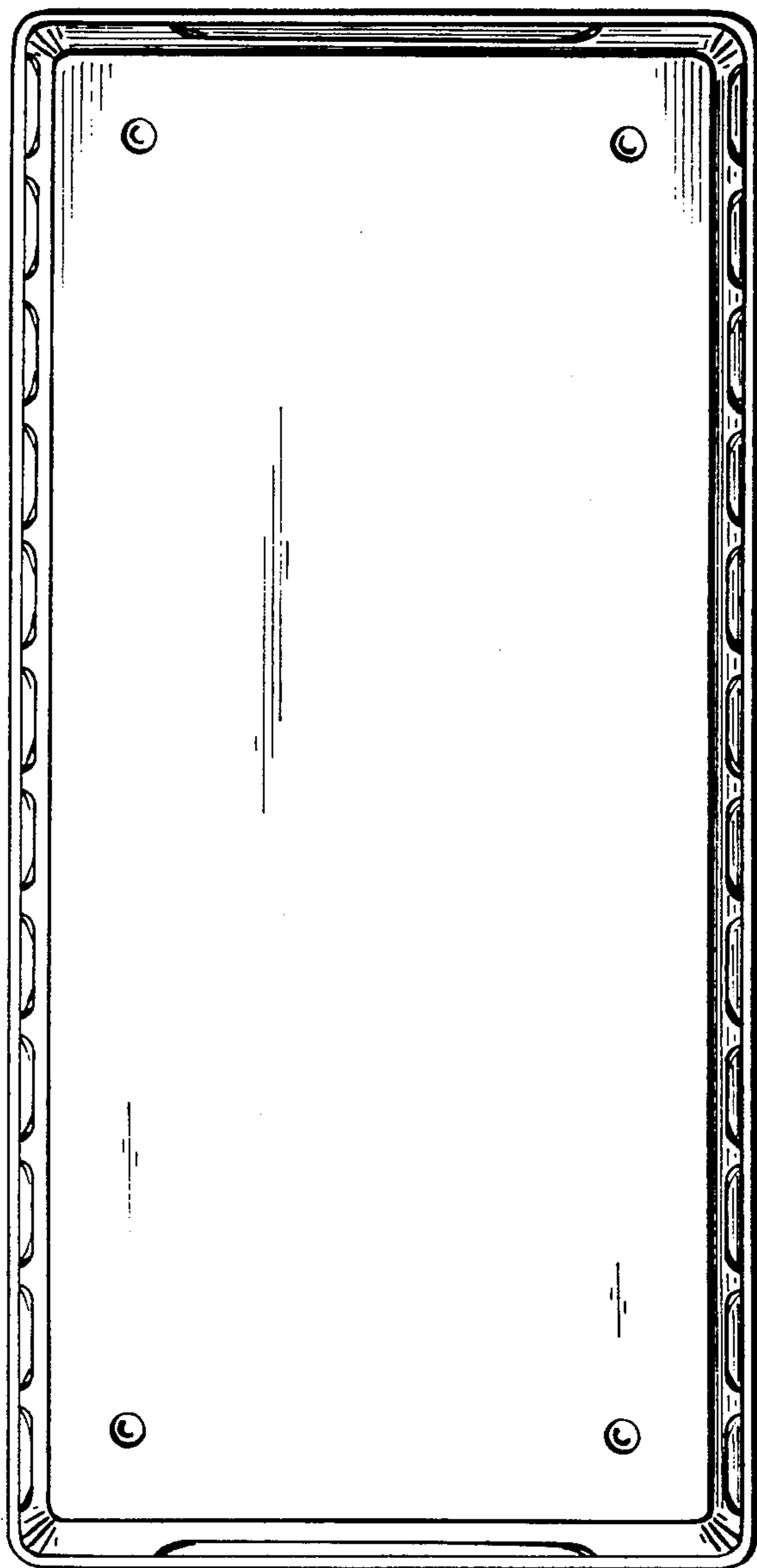


FIG. 3