

[54] PACKAGING CONTAINER

[75] Inventor: Anton H. Clemens, Elkhart, Ind.

[73] Assignee: Miles Laboratories, Inc., Elkhart, Ind.

[**] Term: 14 Years

[21] Appl. No.: 830,906

[22] Filed: Sep. 6, 1977

[51] Int. Cl. D9-01

[52] U.S. Cl. D9/18

[58] Field of Search D9/18, 184-185, D9/187-189; 195/103.5 C; D24/32, 21, 55, 1.1

[56] References Cited

U.S. PATENT DOCUMENTS

D. 236,585	9/1975	Tabor et al.	D9/18
D. 249,706	9/1978	Adamski	D9/189 X
D. 252,072	6/1979	Bridges	D9/18

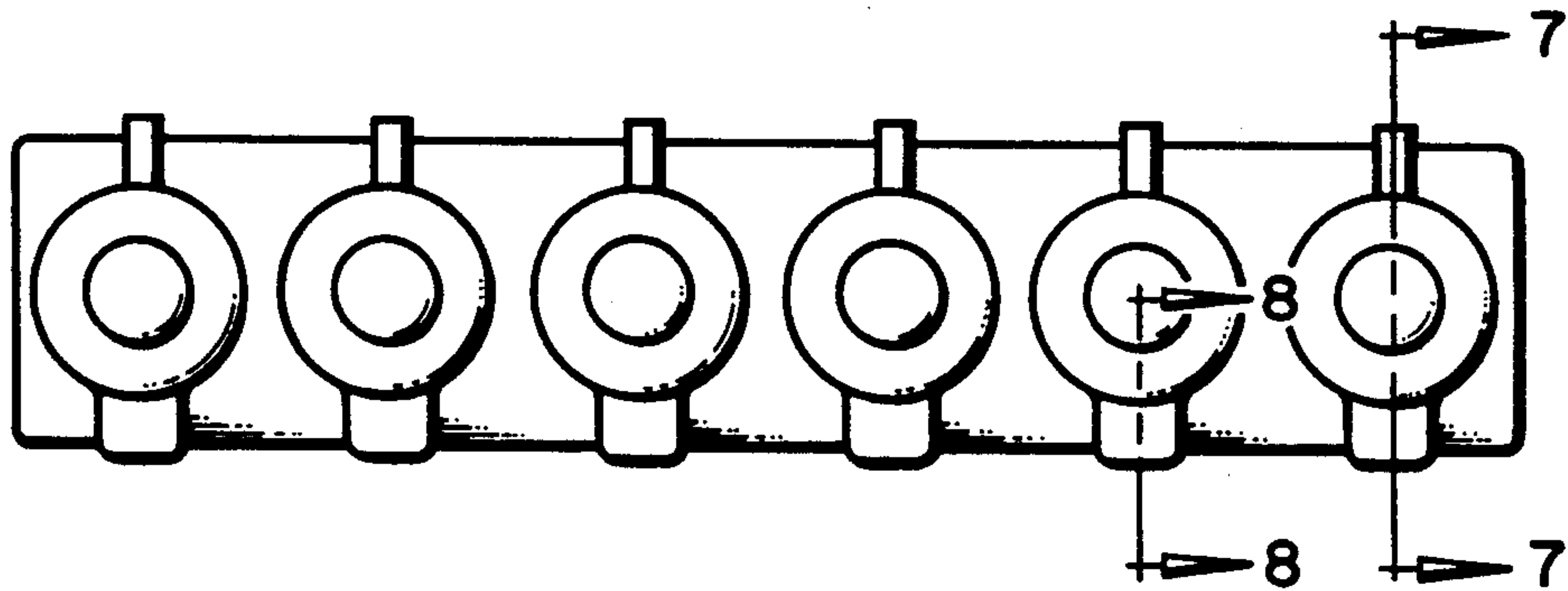
Primary Examiner—Robert C. Spangler
Attorney, Agent, or Firm—Joseph C. Schwalbach

[57] CLAIM

The ornamental design for the packaging container, substantially shown and described.

DESCRIPTION

FIG. 1 is a top plan view of a packaging container showing my new design;
FIG. 2 is a front elevation view;
FIG. 3 is a bottom plan view;
FIG. 4 is a rear elevation view;
FIG. 5 is an elevation view looking from the left of FIG. 1;
FIG. 6 is a view similar to FIG. 7 with the cap removed;
FIG. 7 is an enlarged sectional view taken along line 7-7 of FIG. 1;
FIG. 8 is an enlarged fragmentary view of a portion of FIG. 1 taken along line 8-8.



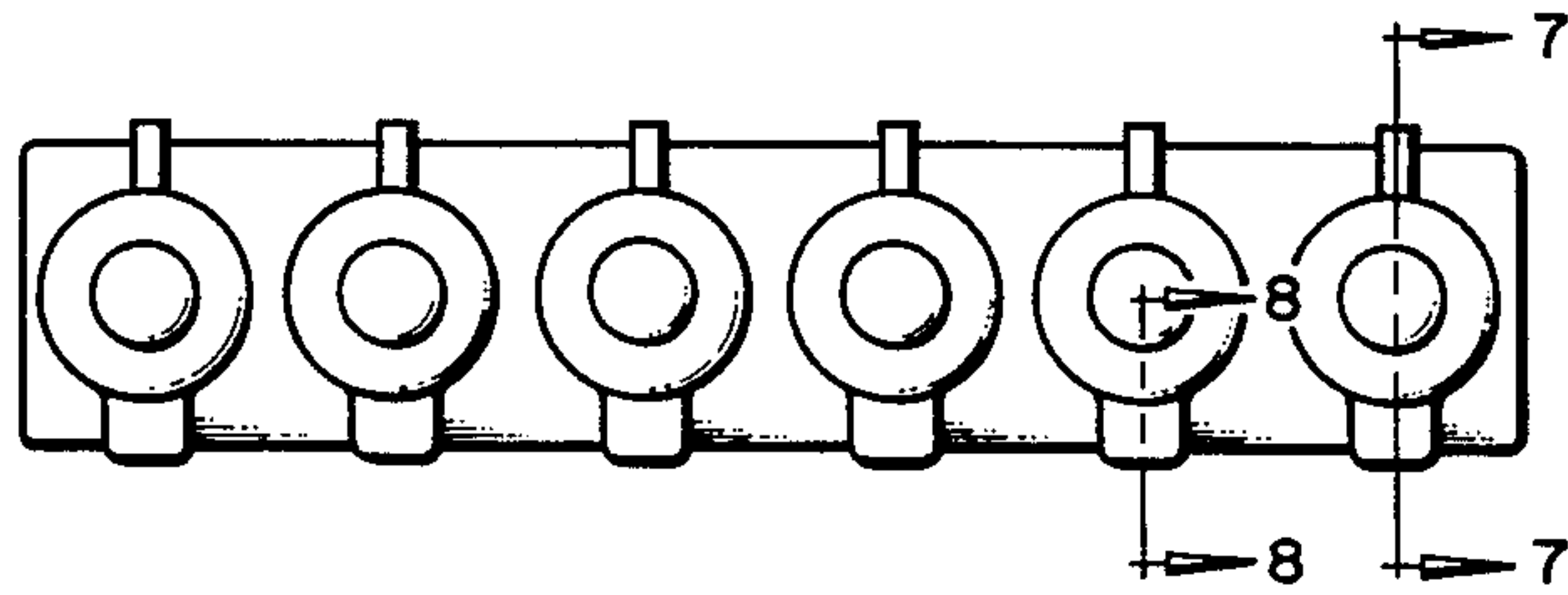


FIG. 1



FIG. 2

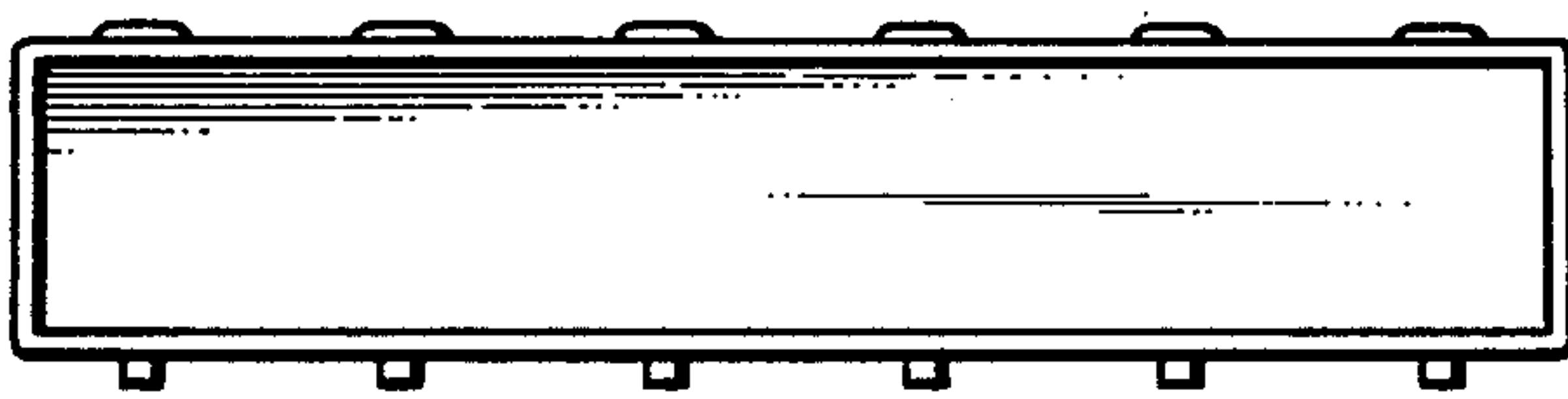


FIG. 3



FIG. 4

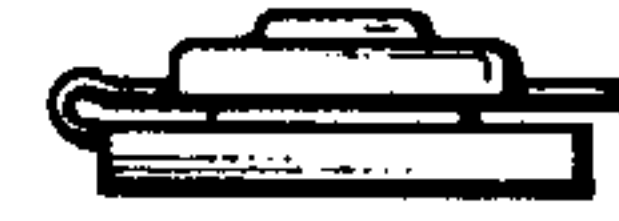


FIG. 5

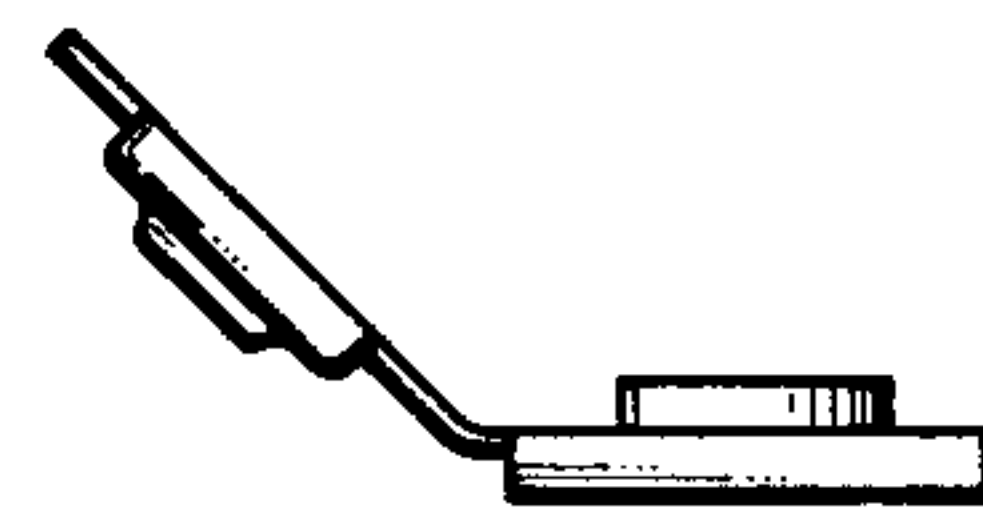


FIG. 6



FIG. 7

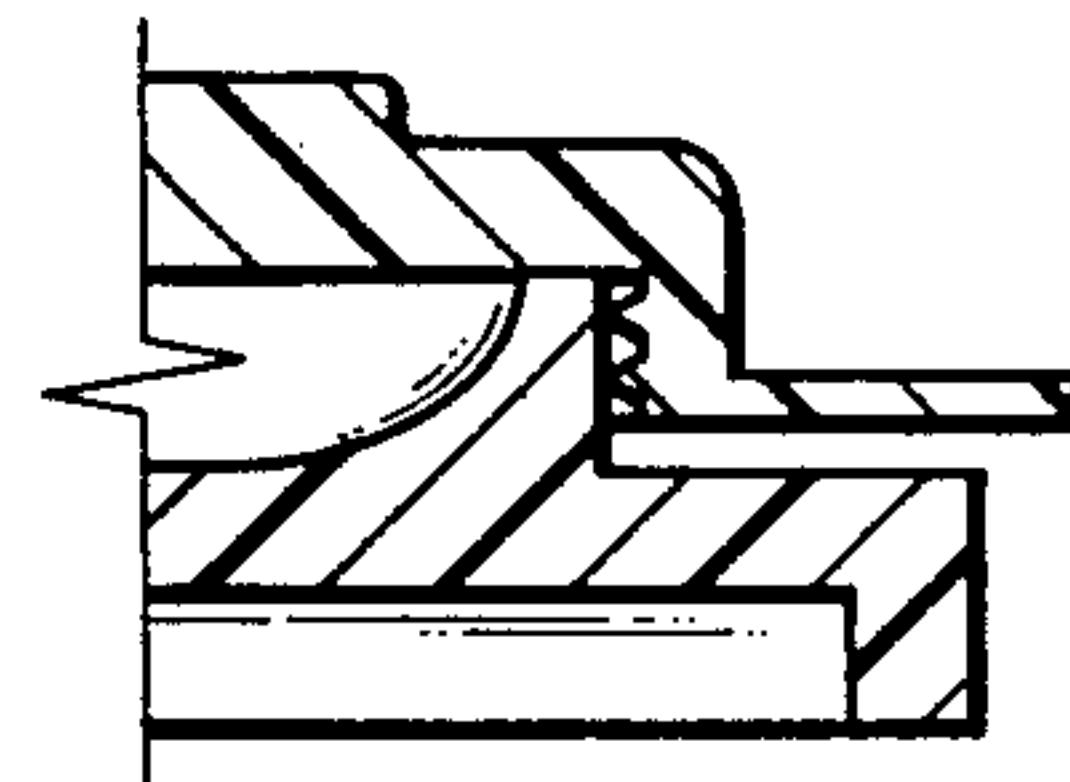


FIG. 8