

[54] PLANT STAKE EXTENDER

DESCRIPTION

[76] Inventor: Joe A. West, 16415 Bear Creek Rd., Boulder Creek, Calif. 95006

[**] Term: 14 Years

[21] Appl. No.: 837,917

[22] Filed: Sep. 29, 1977

[51] Int. Cl. D8-08

[52] U.S. Cl. D8/382; D8/354

[58] Field of Search D8/349, 354, 355, 373, D8/382, 394, 395, 1, 396; D25/77, 78; 47/47, 44, 45, 46; 403/305, 306, 300, 406

[56] References Cited

U.S. PATENT DOCUMENTS

2,990,458	6/1961	Mageoch	403/306	X
3,462,021	8/1969	Hawke et al.	403/306	X
3,579,908	5/1971	Morgan	403/305	X
4,020,592	5/1977	Saunders	47/47	X
4,092,079	5/1978	Swanson	403/306	

Primary Examiner—A. Hugo Word

Attorney, Agent, or Firm—John J. Leavitt

[57] CLAIM

The ornamental design for a plant stake extender, substantially as shown and described.

FIG. 1 is a perspective view showing the plant stake extender of my design;

FIG. 2 is a front elevational view thereof;

FIG. 3 is a right side elevational view thereof;

FIG. 4 is a rear elevational view thereof;

FIG. 5 is a top plan view thereof;

FIG. 6 is a bottom plan view thereof;

FIG. 7 is a perspective view of modified embodiment of the plant stake extender of my design;

FIG. 8 is a front elevational view thereof;

FIG. 9 is a left side view thereof;

FIG. 10 is a rear elevational view thereof;

FIG. 11 is a top plan view thereof;

FIG. 12 is a bottom plan view thereof;

FIG. 13 is a perspective view of a second modified embodiment of the plant stake extender of the invention;

FIG. 14 is a front elevational view thereof;

FIG. 15 is a right side elevational view thereof;

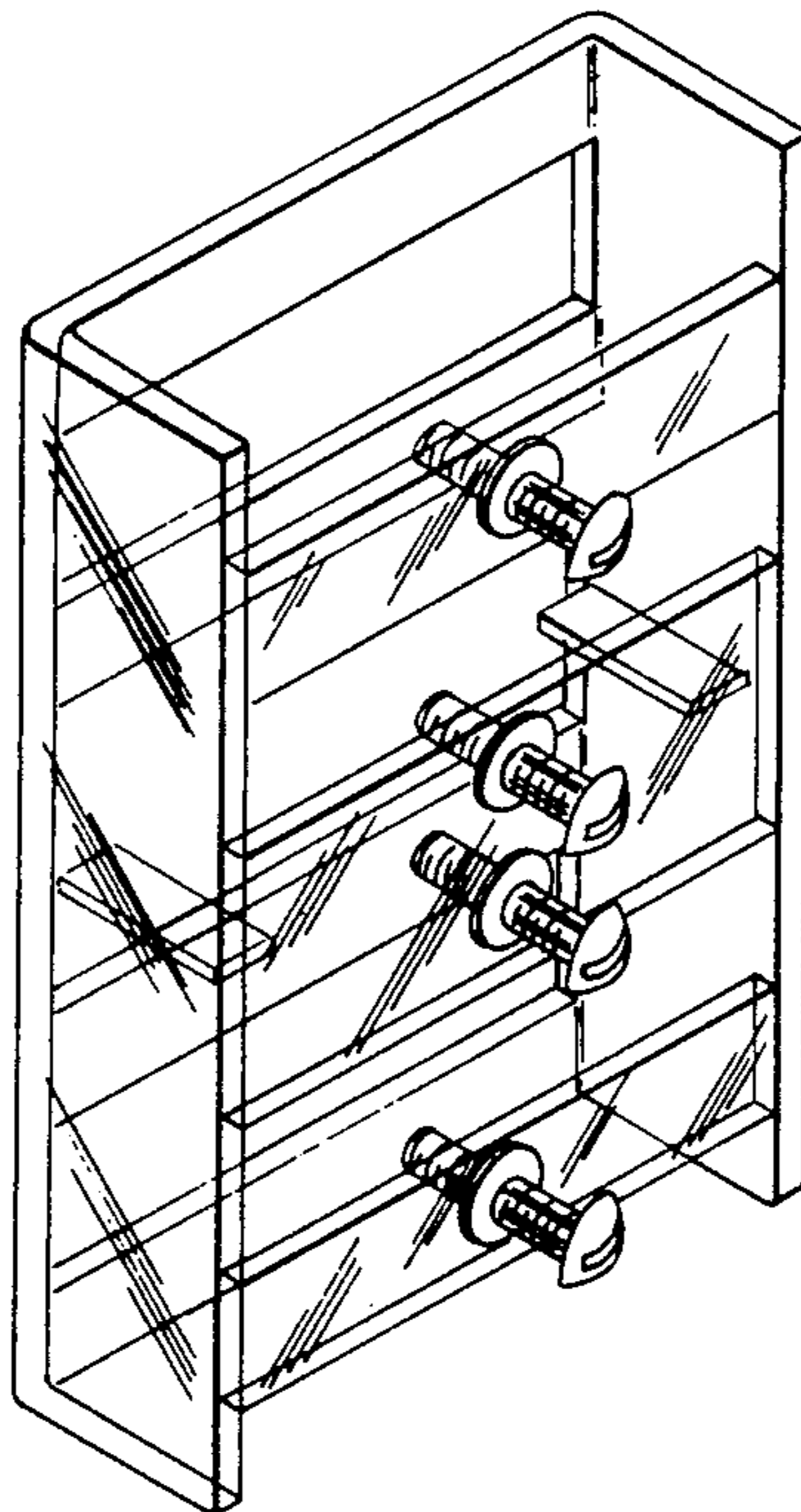
FIG. 16 is a rear elevational view thereof;

FIG. 17 is a top plan view thereof;

FIG. 18 is a bottom plan view thereof;

FIG. 19 is a left side elevational view thereof showing the plant stake extender of my design in an attitude of use in conjunction with a plant stake and pot shown in broken lines and which form no part of the design; and

FIG. 20 is a front elevational view thereof showing the plant stake extender of my design in an attitude of use in conjunction with a plant stake and pot shown in broken lines and which form no part of the design.



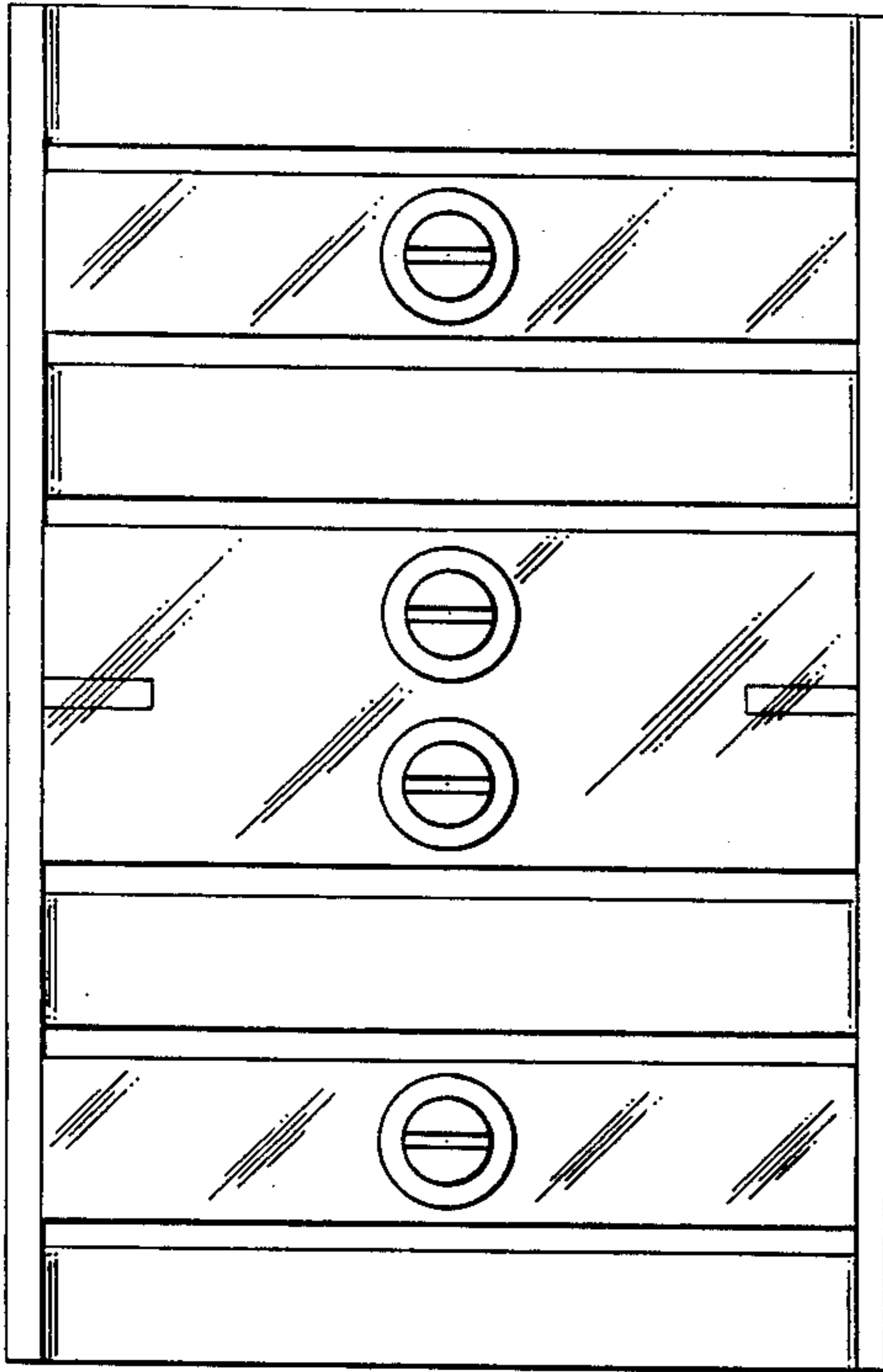


FIG. 2

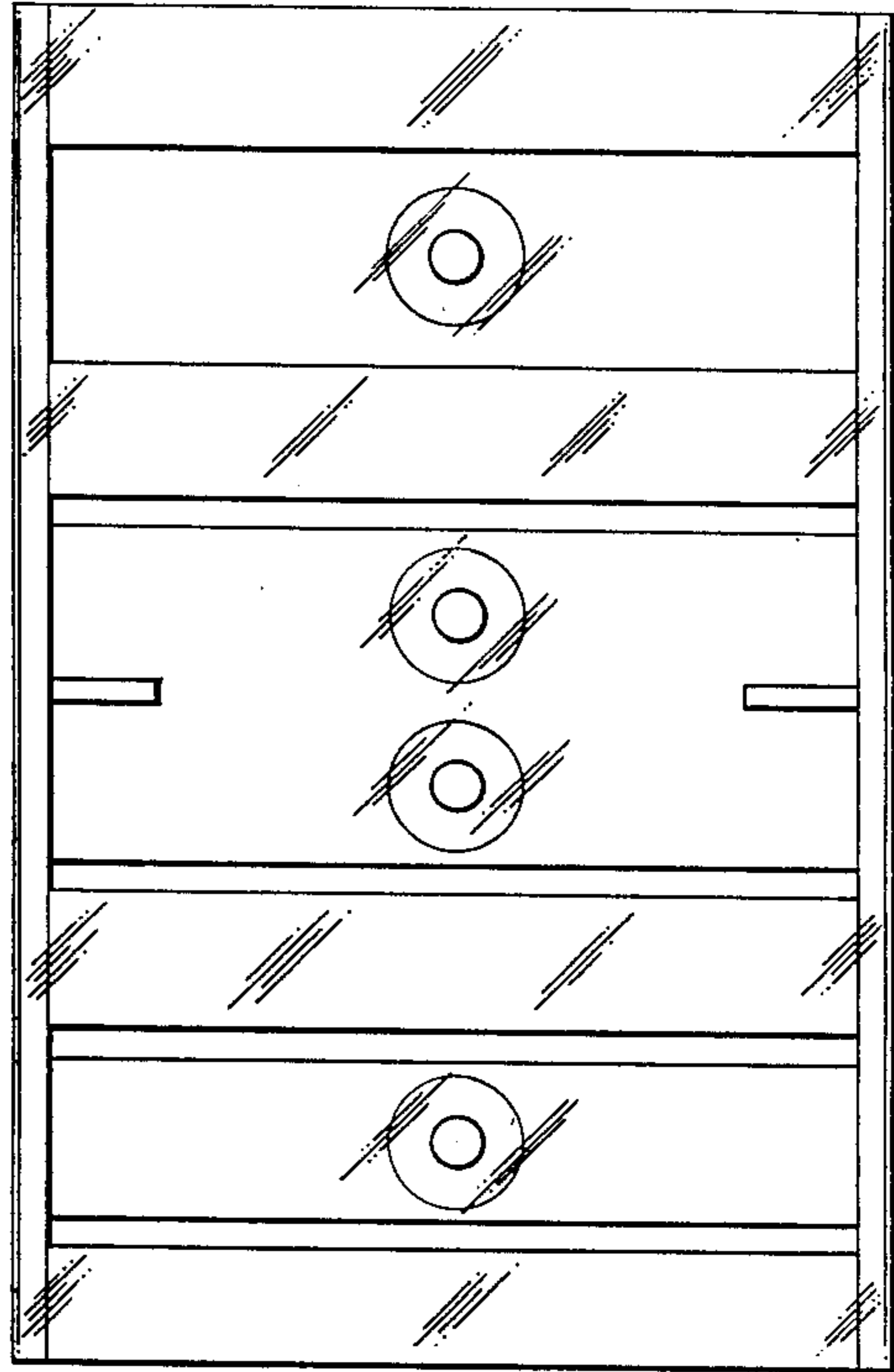


FIG. 4

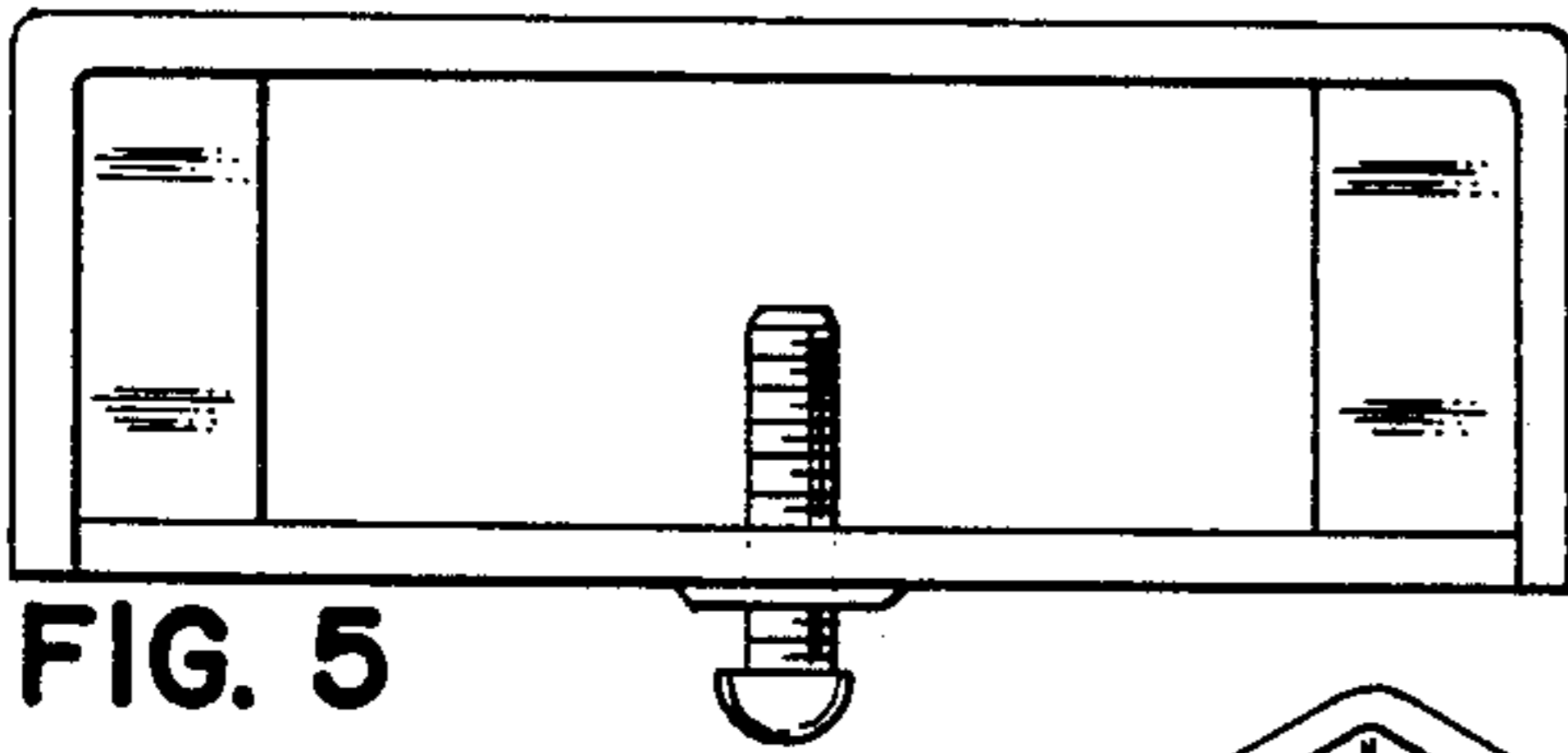


FIG. 5

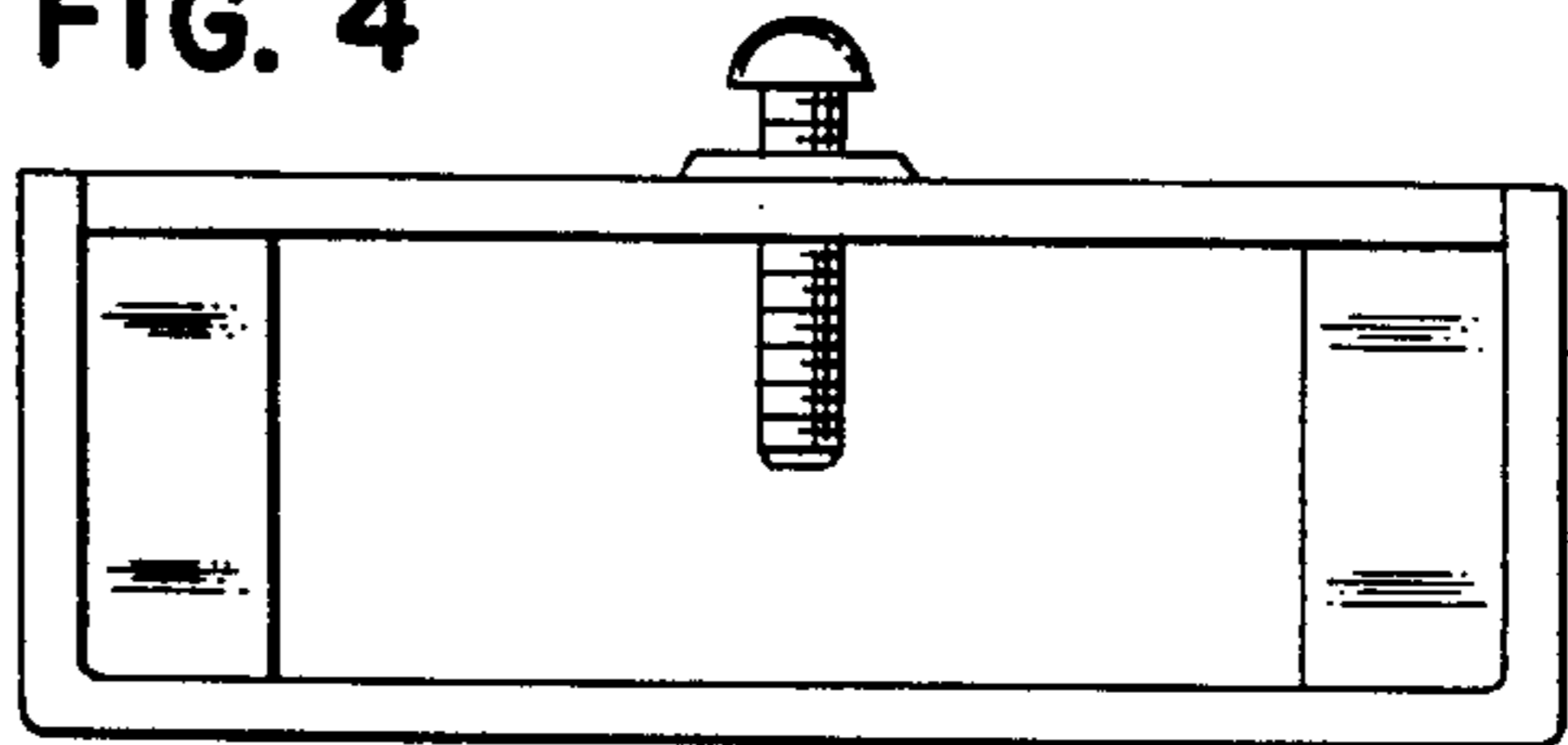


FIG. 6

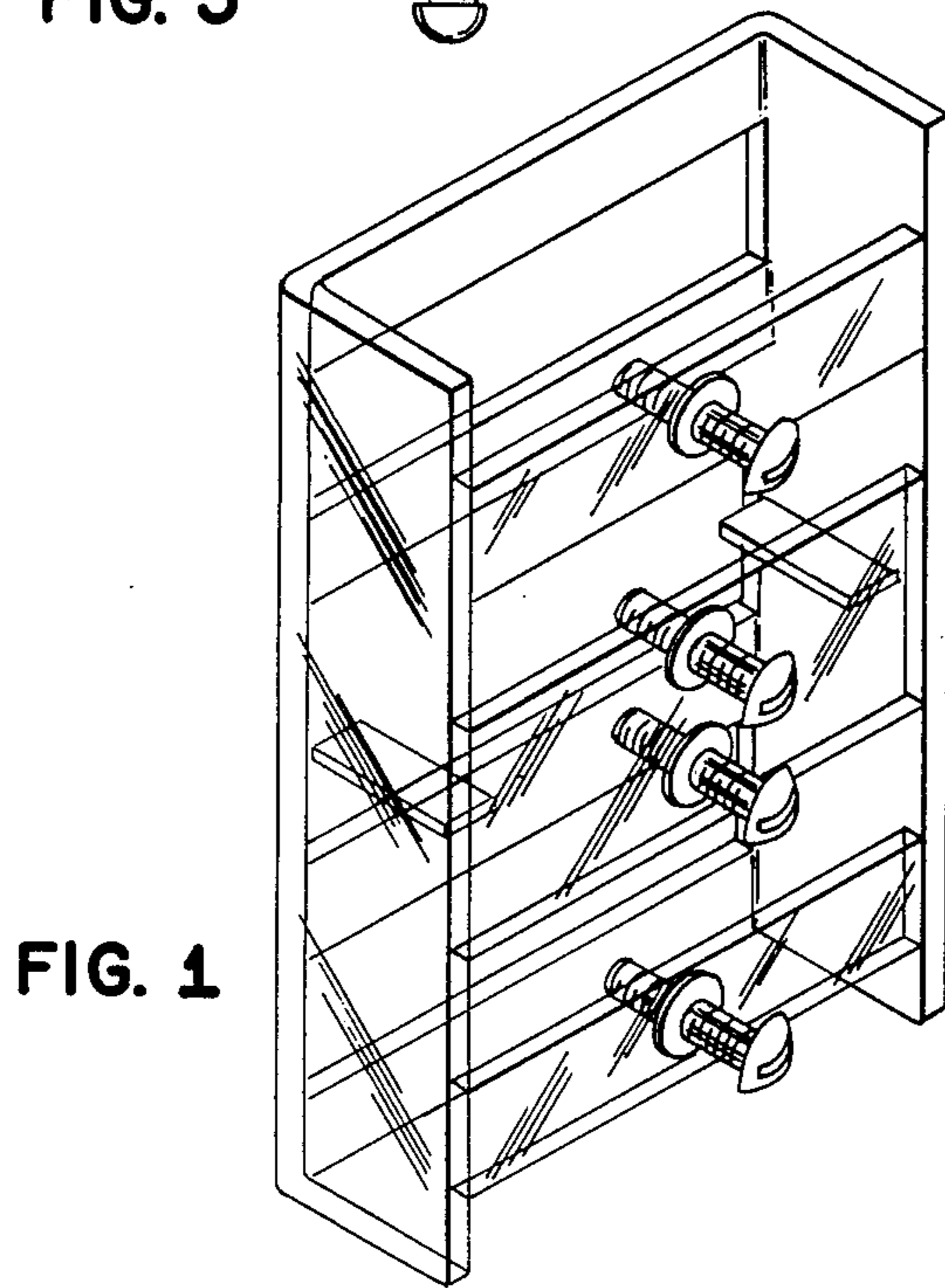


FIG. 1

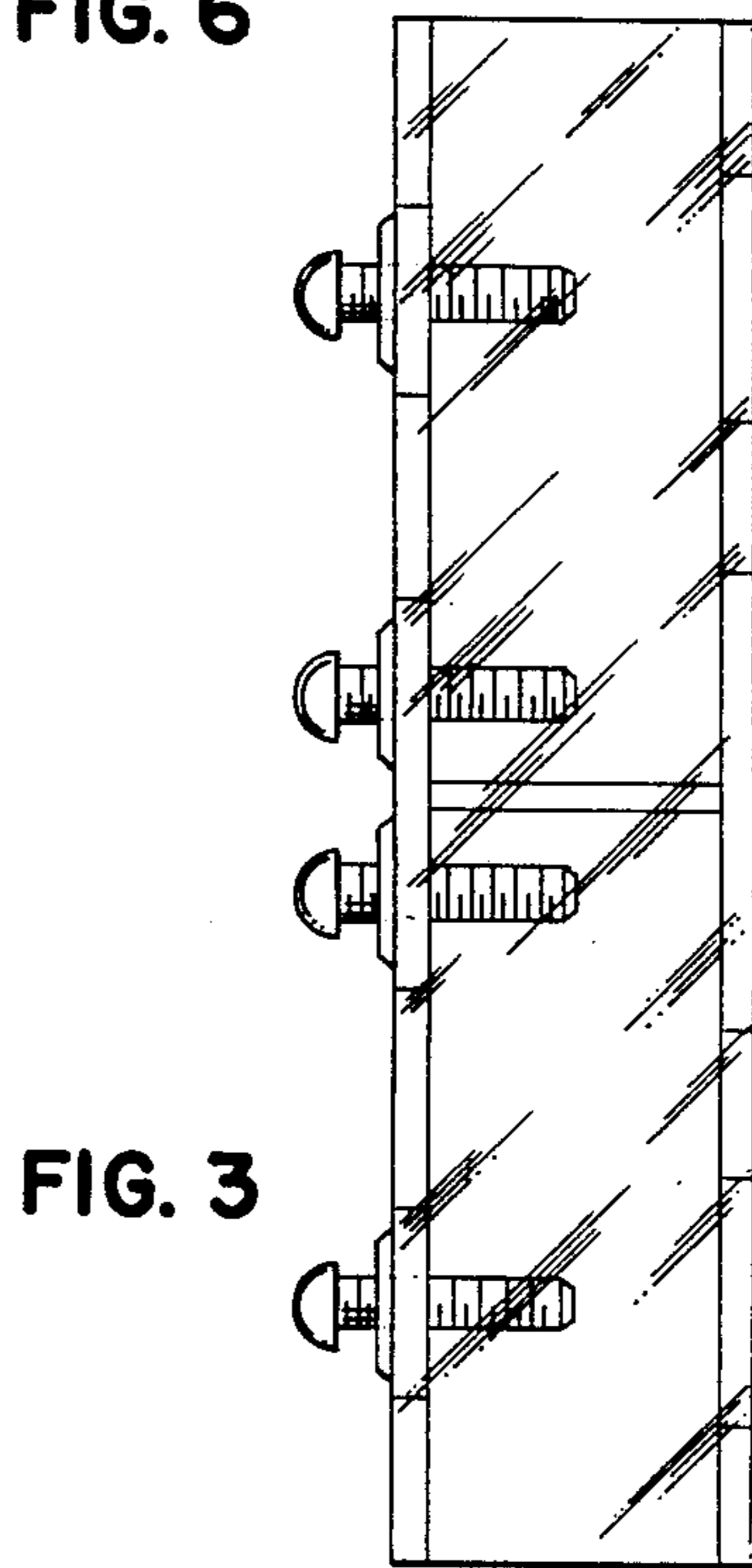


FIG. 3

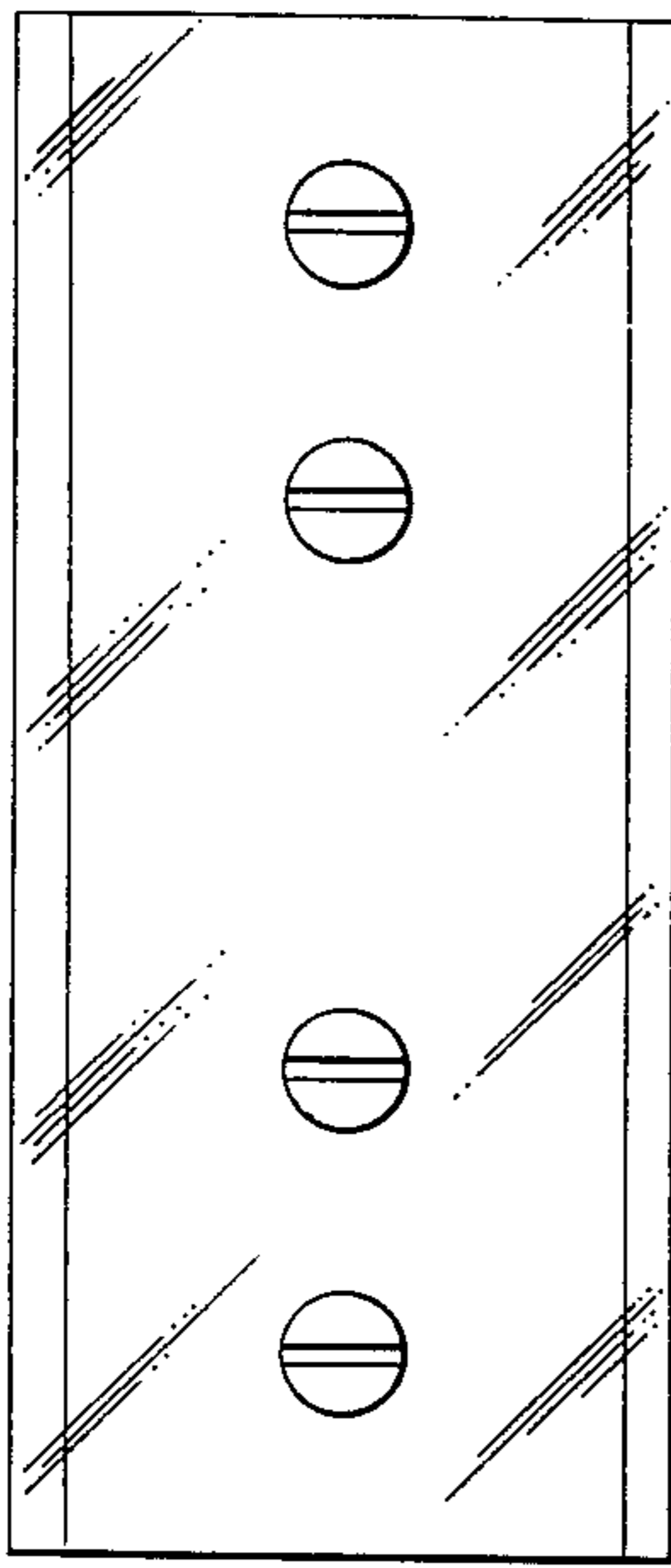


FIG. 8

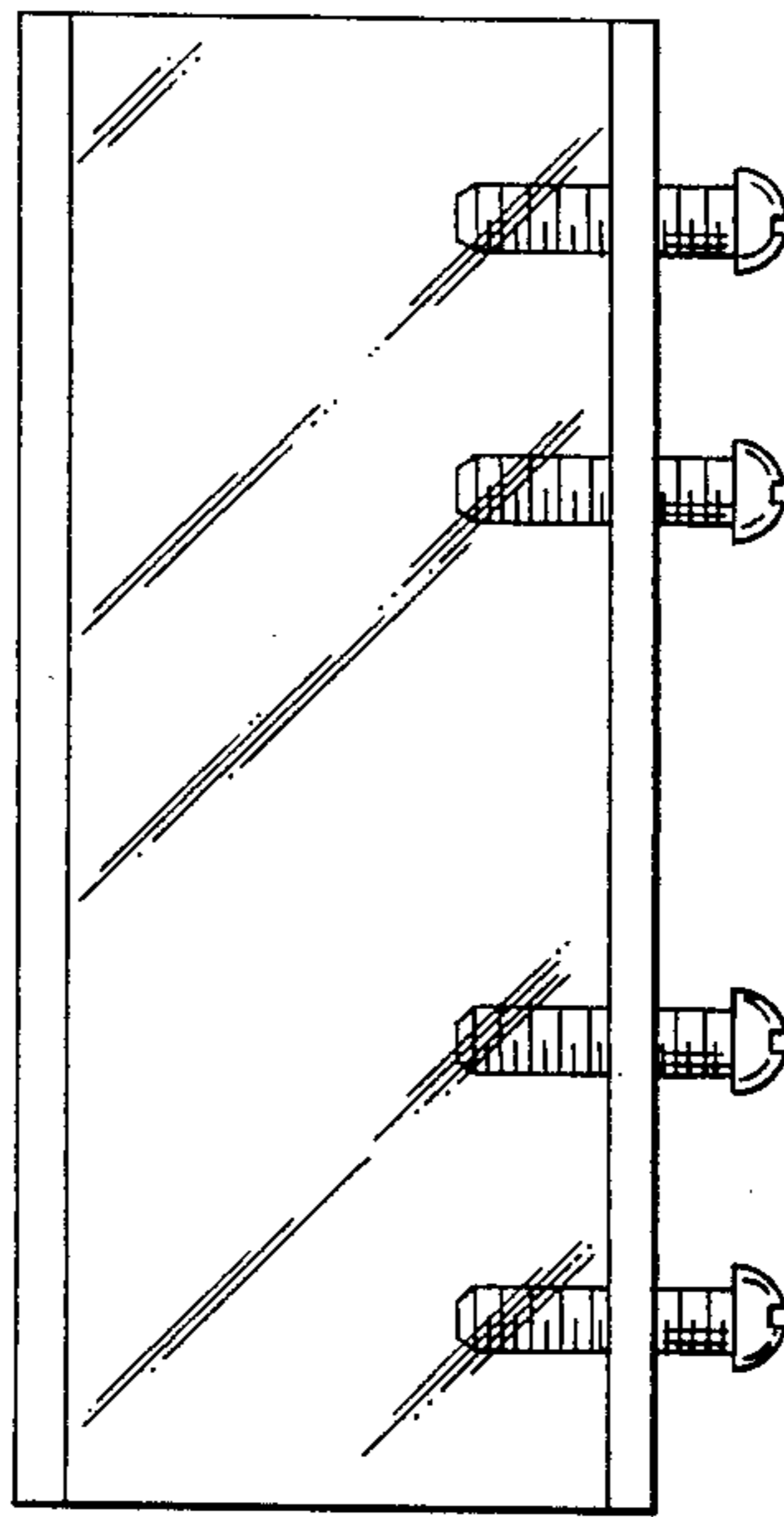


FIG. 9

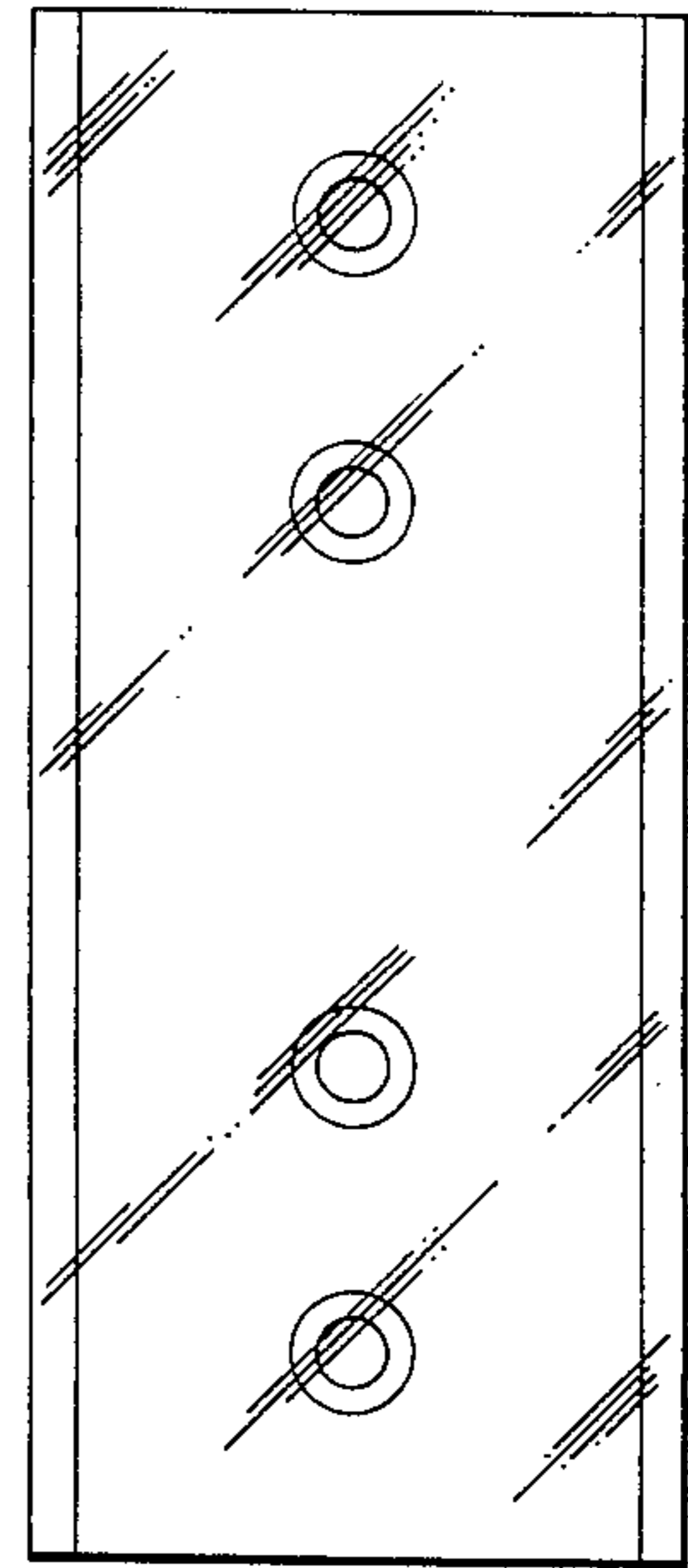


FIG. 10

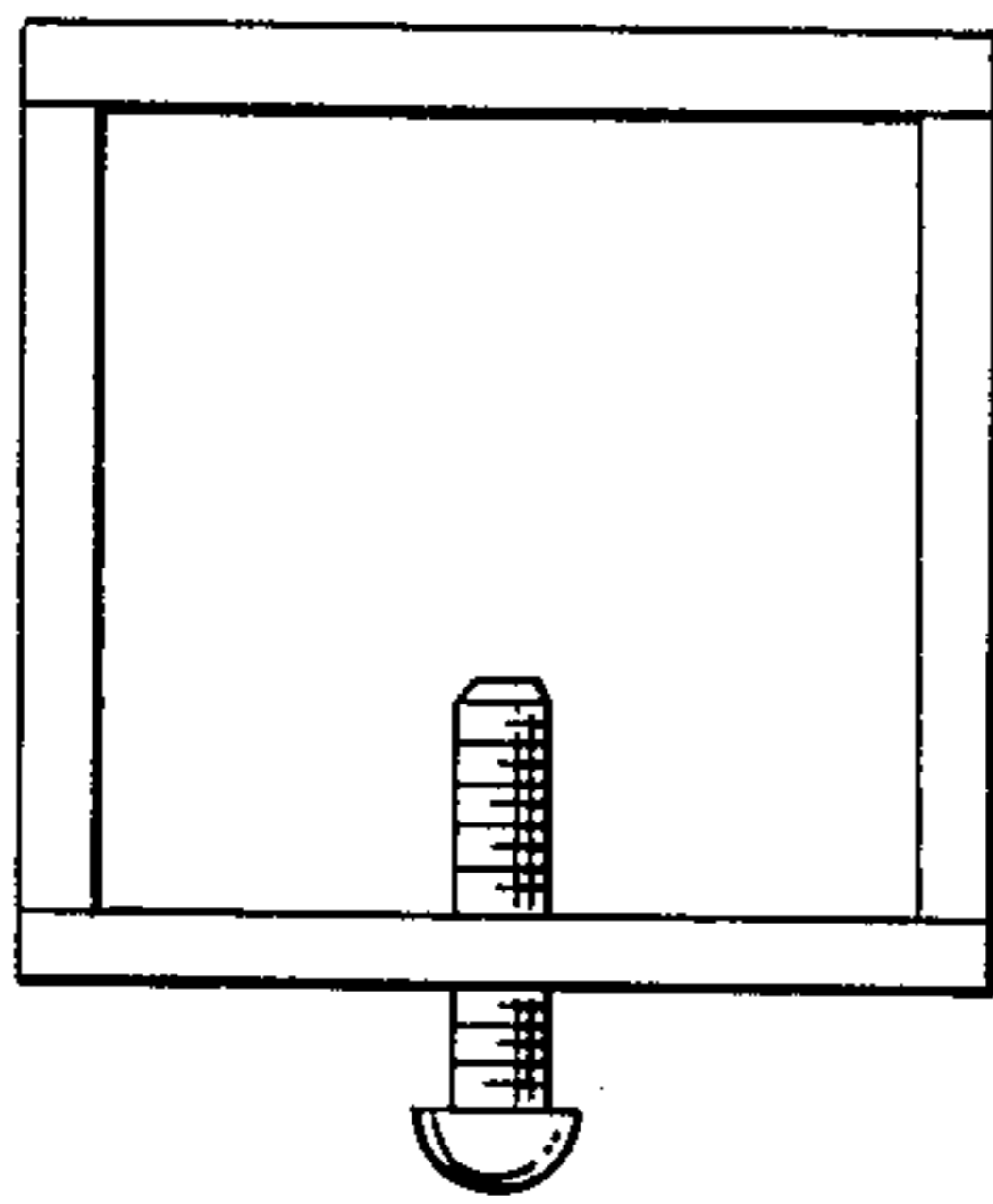


FIG. 11

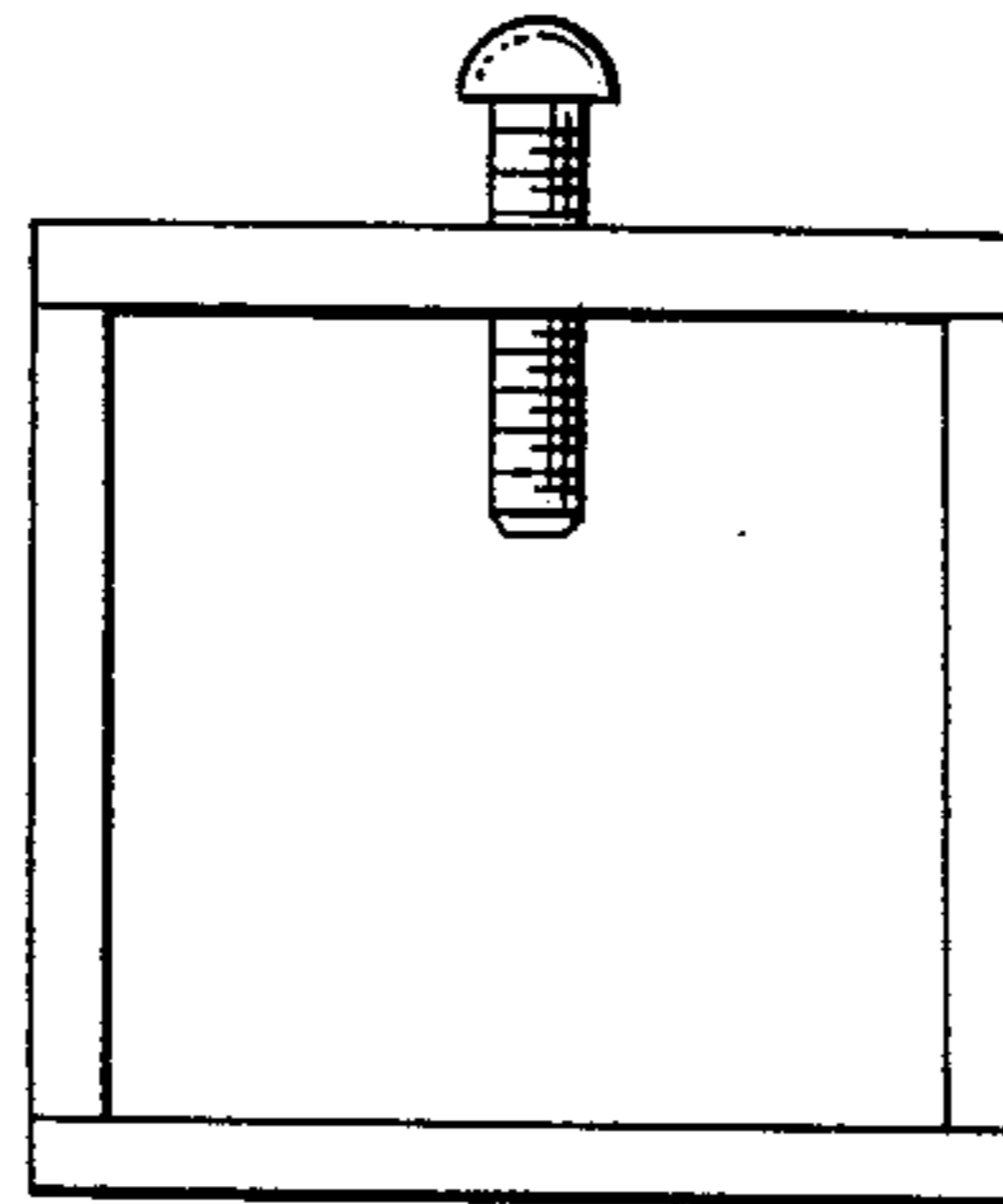


FIG. 12

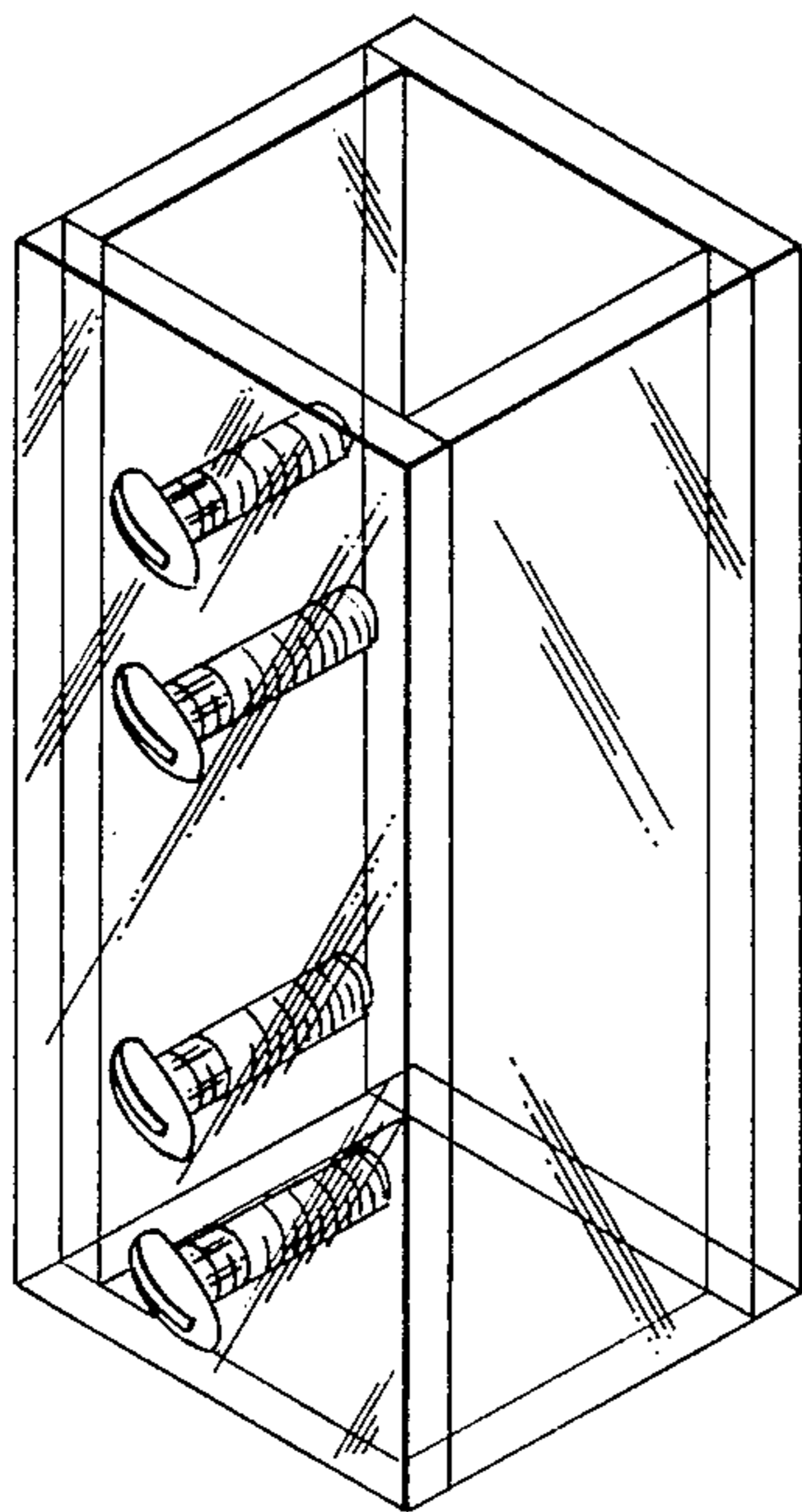


FIG. 7

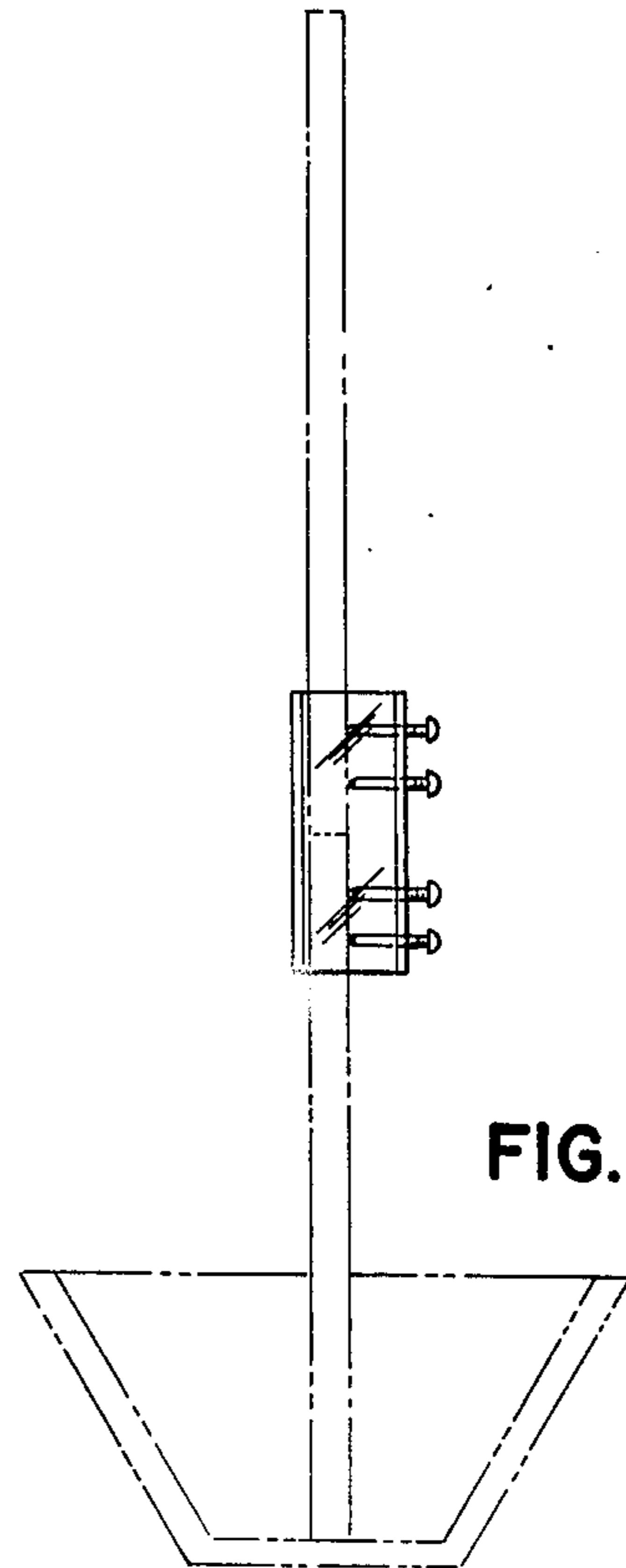


FIG. 19

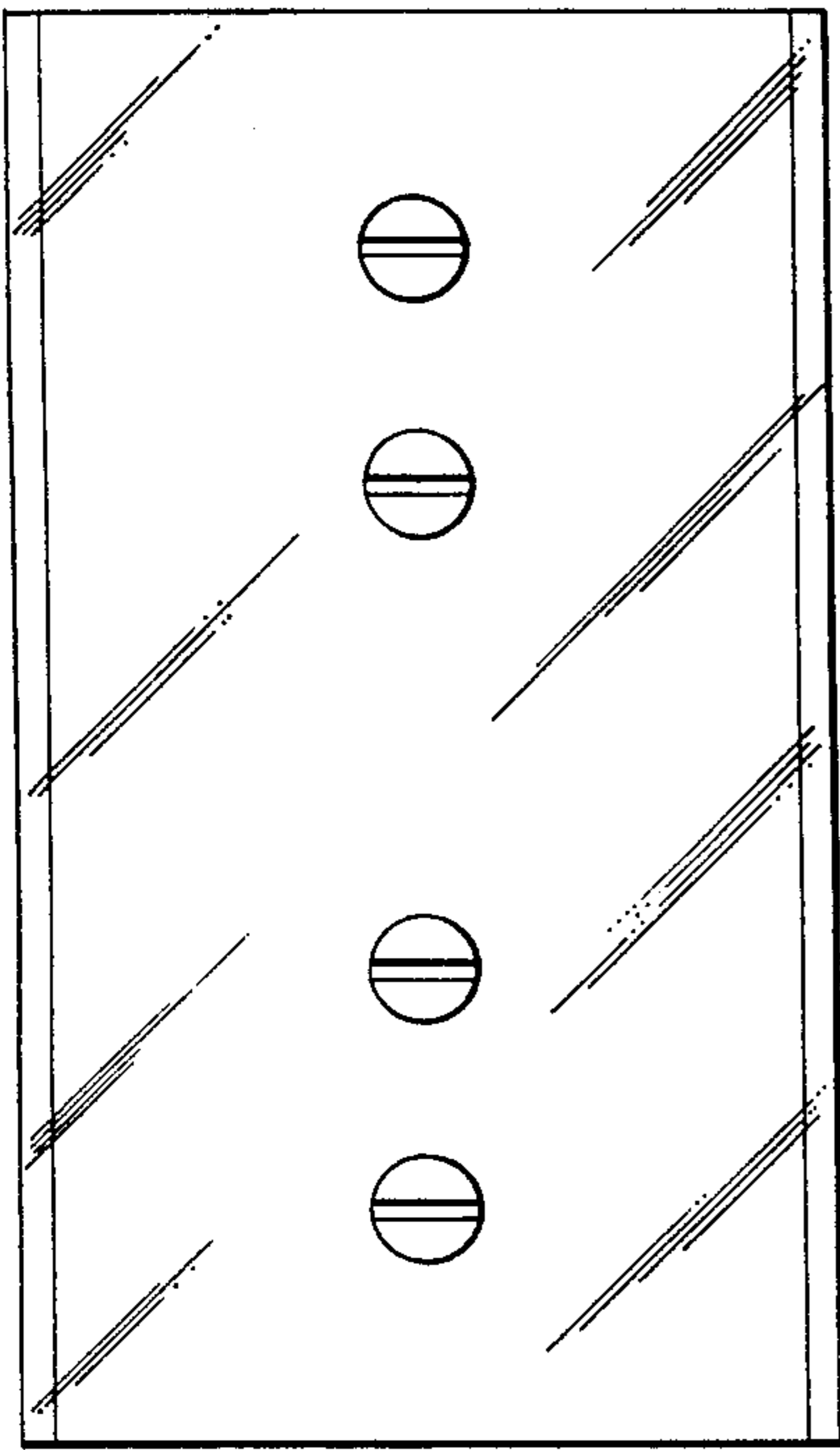


FIG. 14

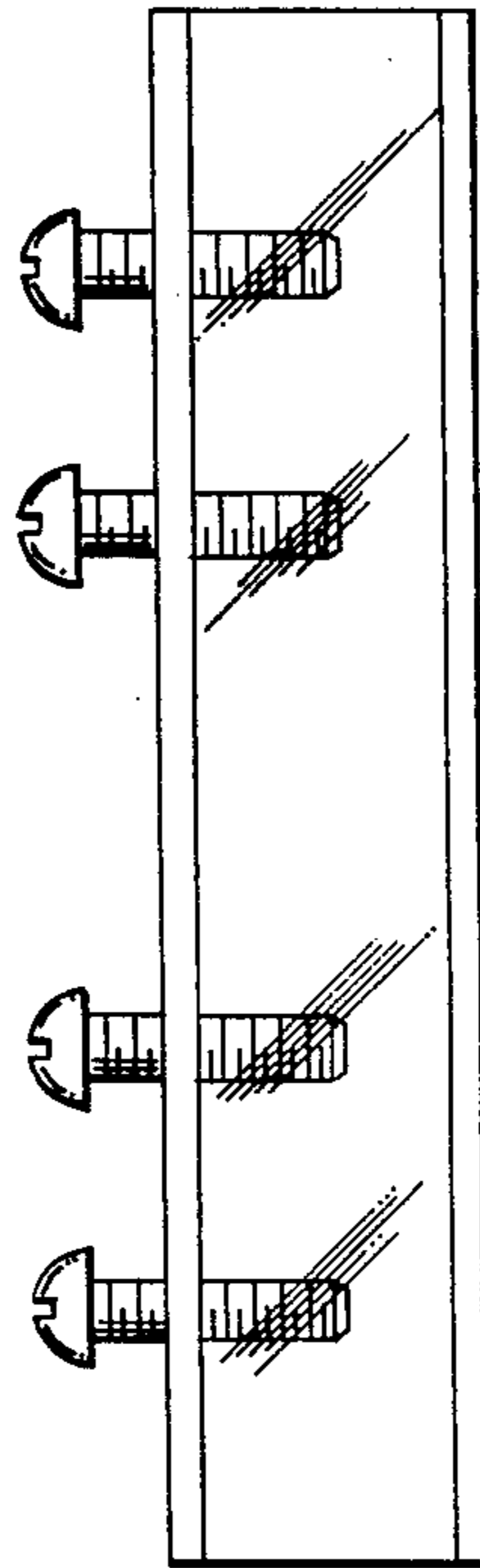


FIG. 15

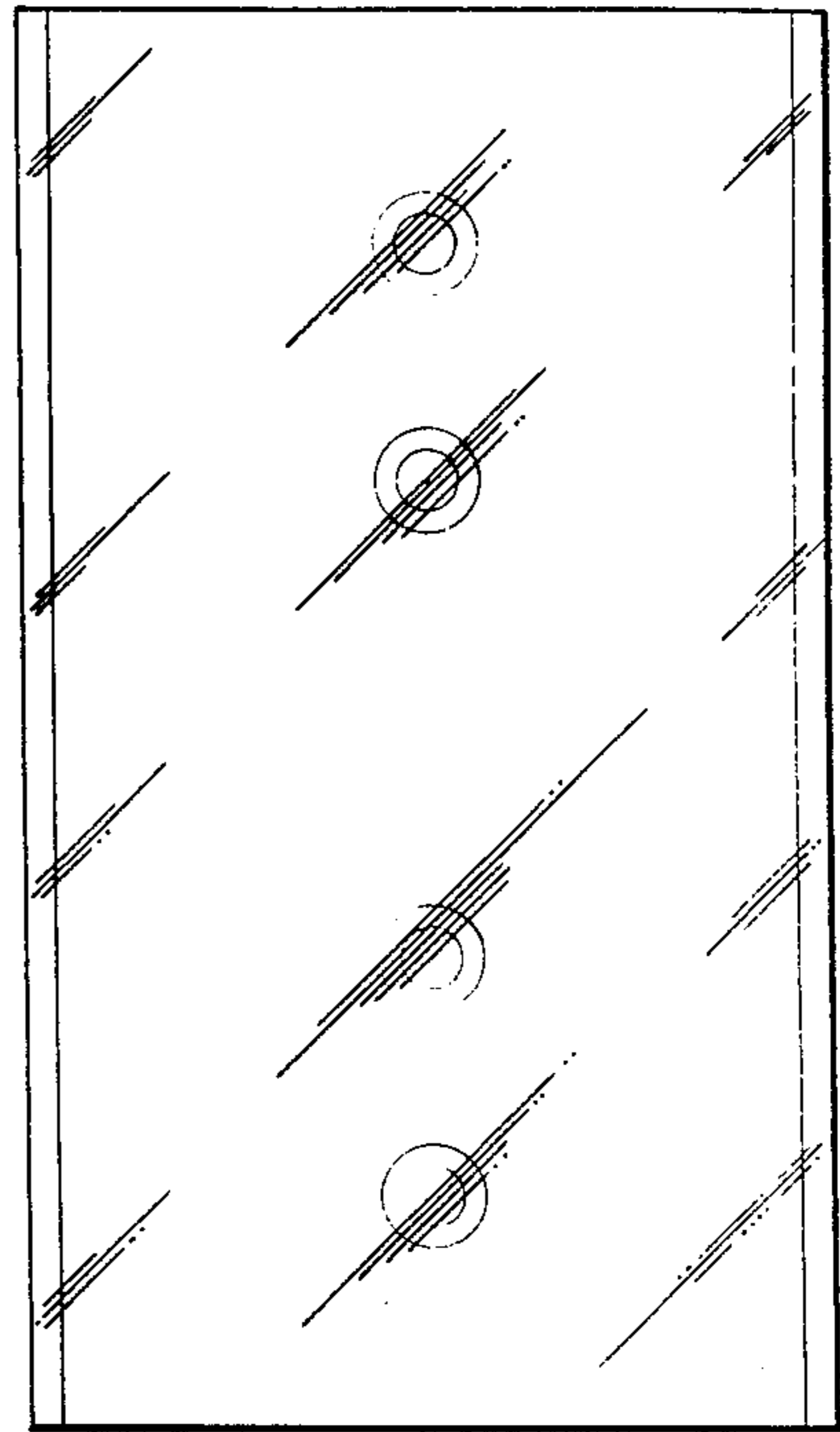


FIG. 16

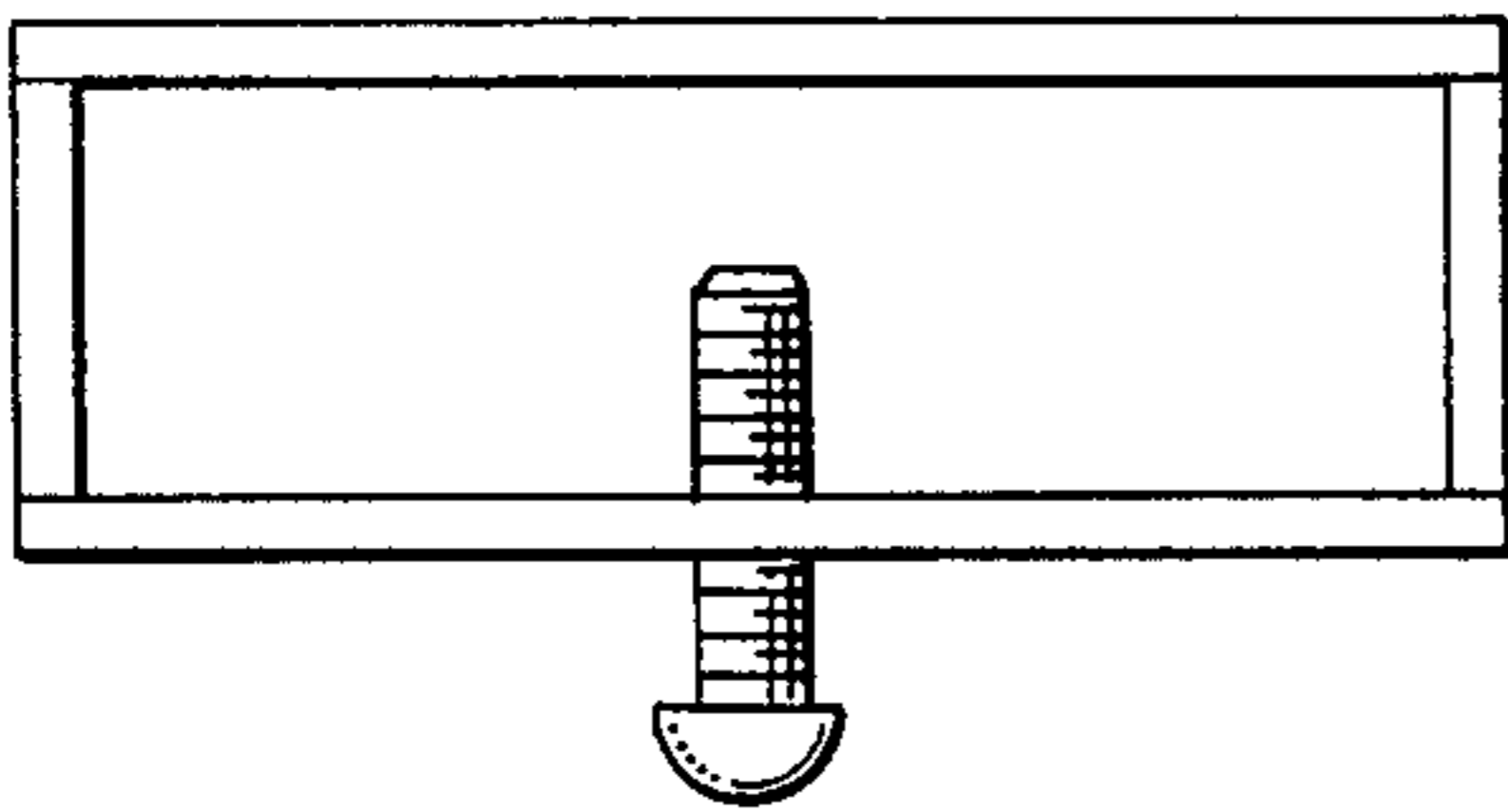


FIG. 17

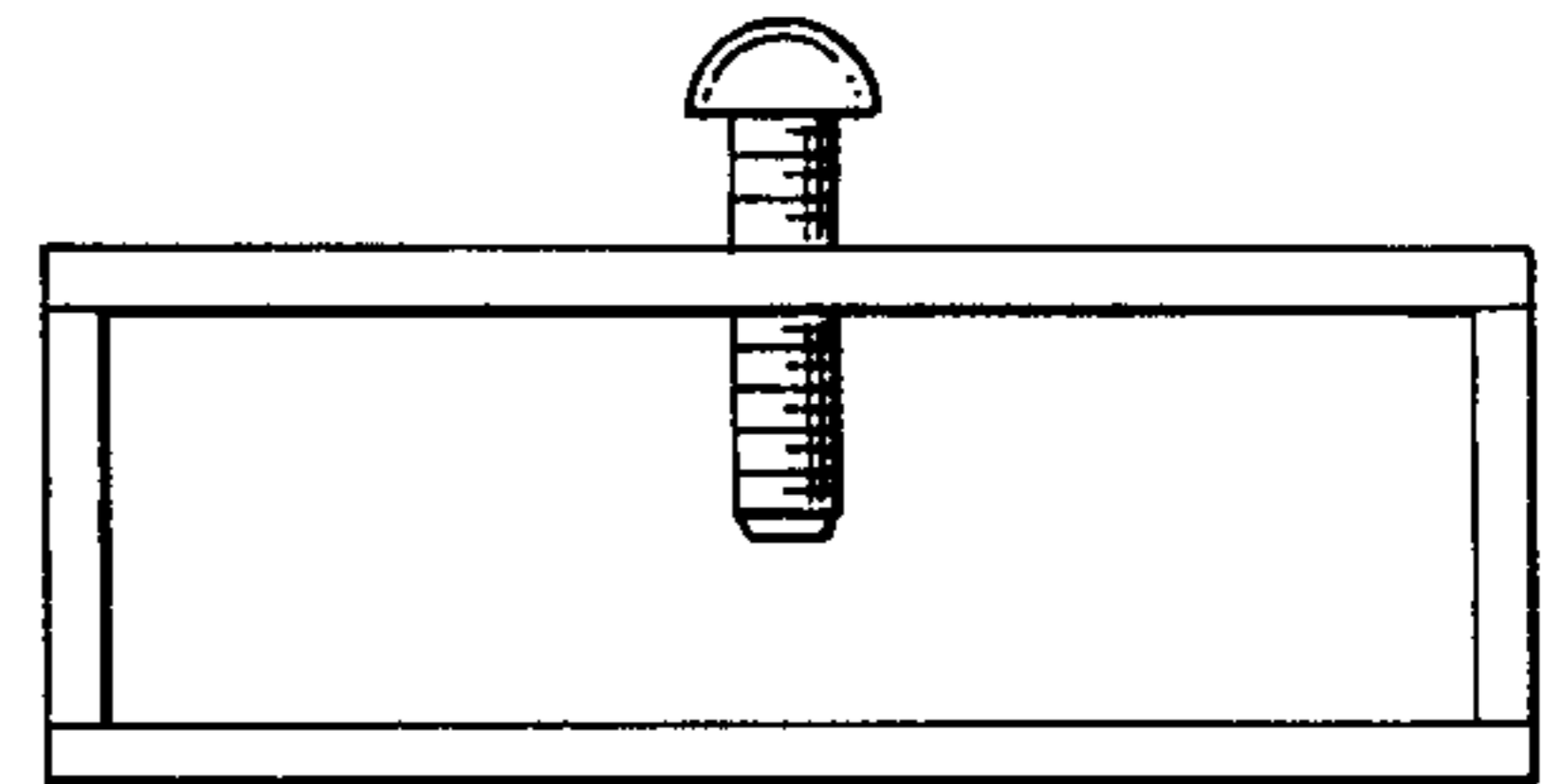


FIG. 18

FIG. 13

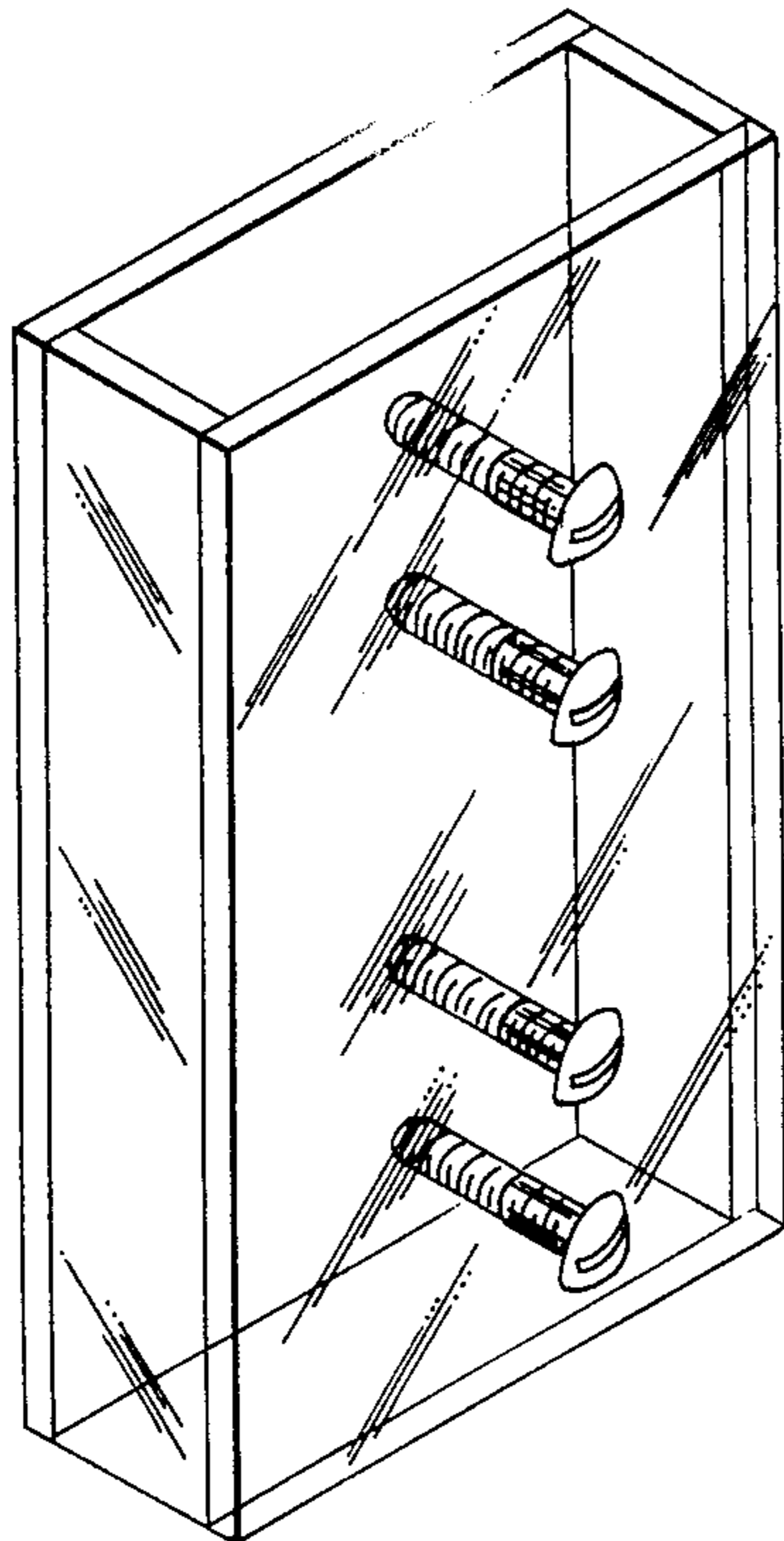


FIG. 20

