

[54] VISE

[76] Inventors: Arthur S. Speiser, 4400 Clarkwood Pkwy., Warrensville Hts., Ohio 44128; Samuel G. Sheterom, Jr., 25 Wintergreen Hill, Painesville, Ohio 44077

[**] Term: 14 Years

[21] Appl. No.: 851,840

[22] Filed: Nov. 16, 1977

[51] Int. Cl. D8-05

[52] U.S. Cl. D8/74

[58] Field of Search D8/71-74; 269/251, 35, 250, 266, 271, 203; 90/DIG. 29, DIG. 30; 409/225

[56]

References Cited

U.S. PATENT DOCUMENTS

2,338,471	1/1944	Vanerstrom	269/251 X
3,341,190	9/1967	Adamson	269/271
3,868,102	2/1975	Pevar	269/266 X

Primary Examiner—Peter Feldman
Attorney, Agent, or Firm—Burge & Porter Co.

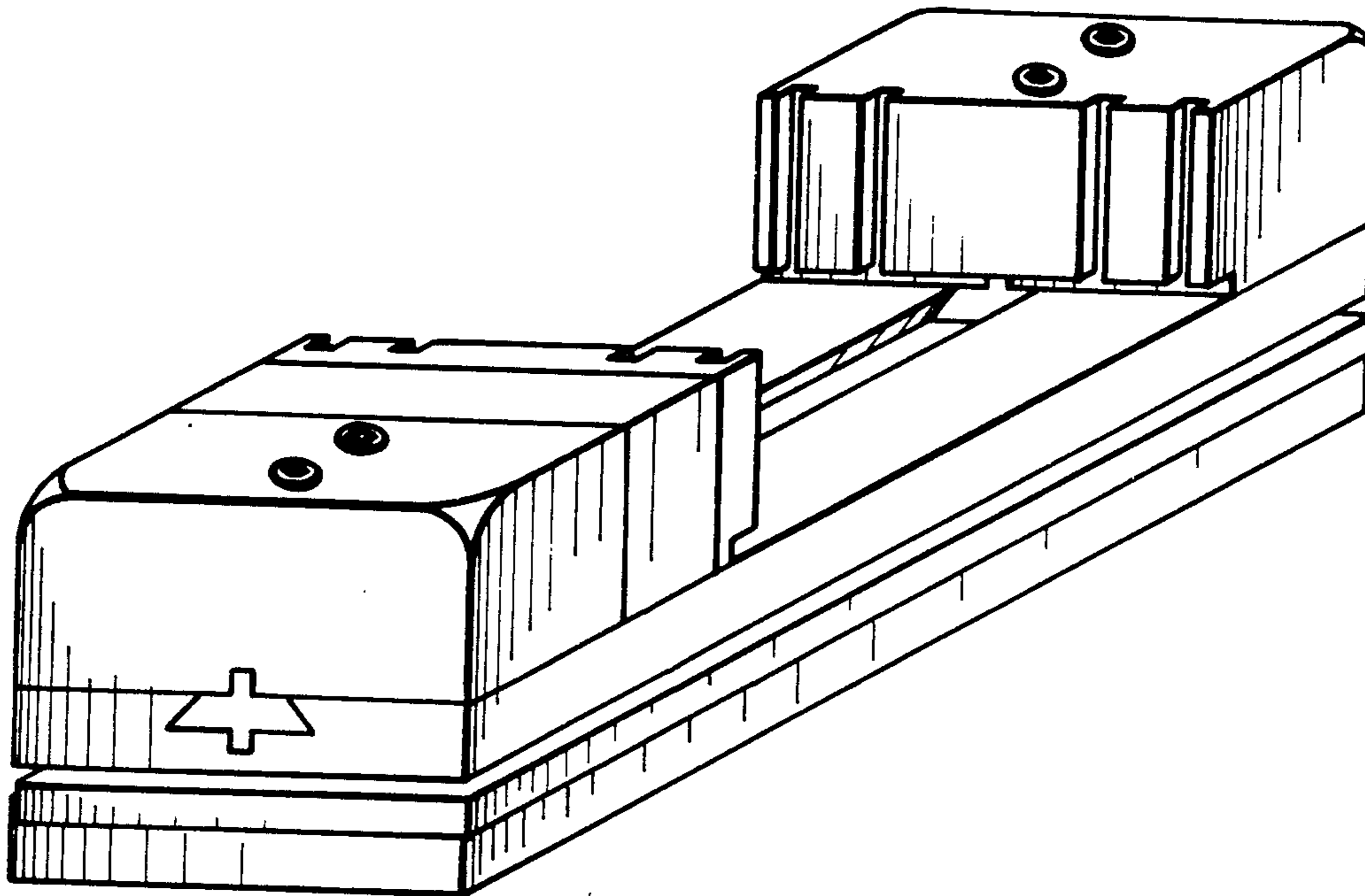
[57]

CLAIM

We claim the ornamental design for a vise, as shown.

DESCRIPTION

FIG. 1 is a perspective view of a vise embodying the design of the present invention, with the components thereof in their normal, assembled configuration; FIG. 2 is an exploded perspective view of the vise of FIG. 1 with certain of the components disassembled to better illustrate their configuration; and, FIG. 3 is an exploded perspective view of the vise of FIG. 1 with many of the components thereof disassembled to better illustrate their configuration.



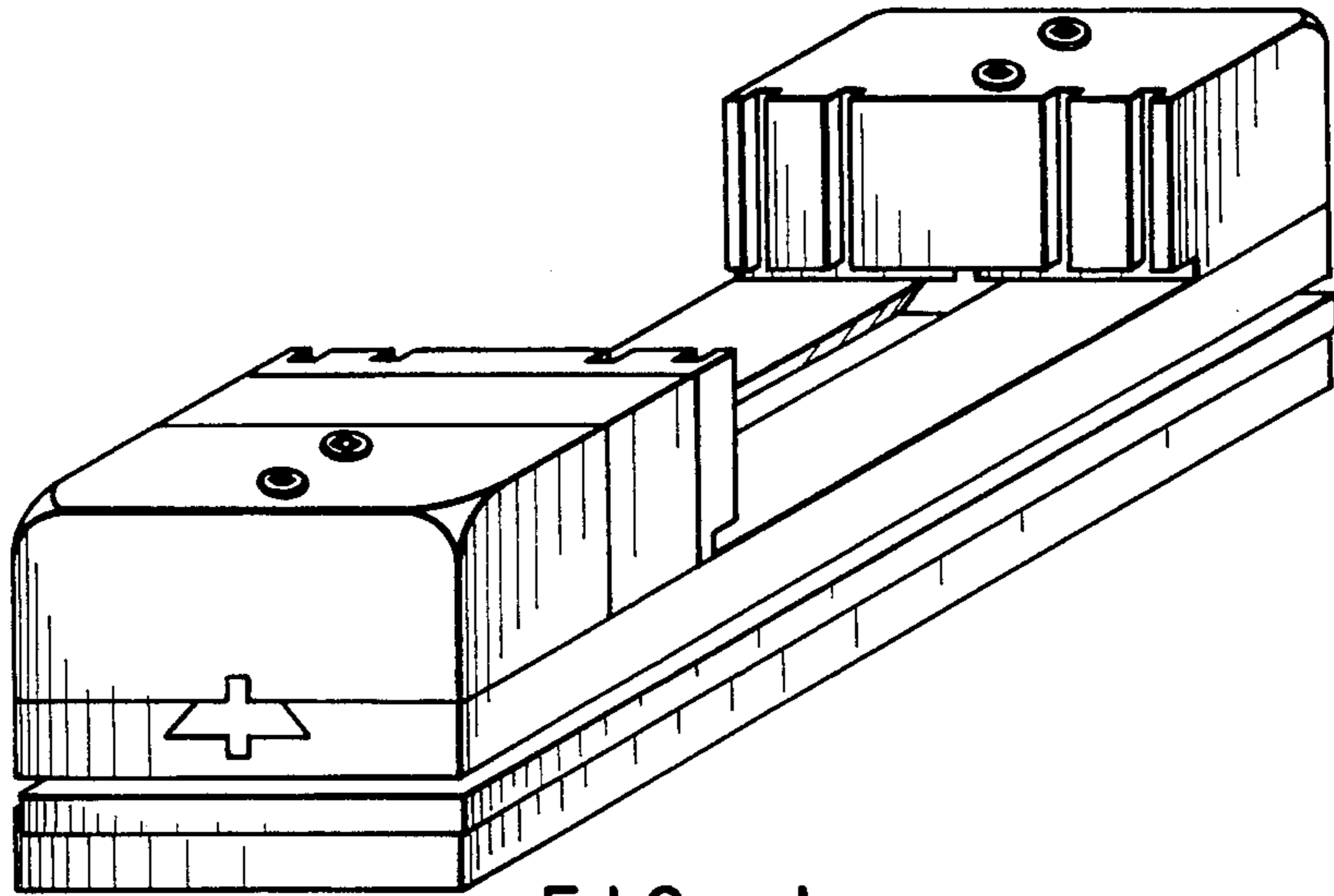


FIG. 1

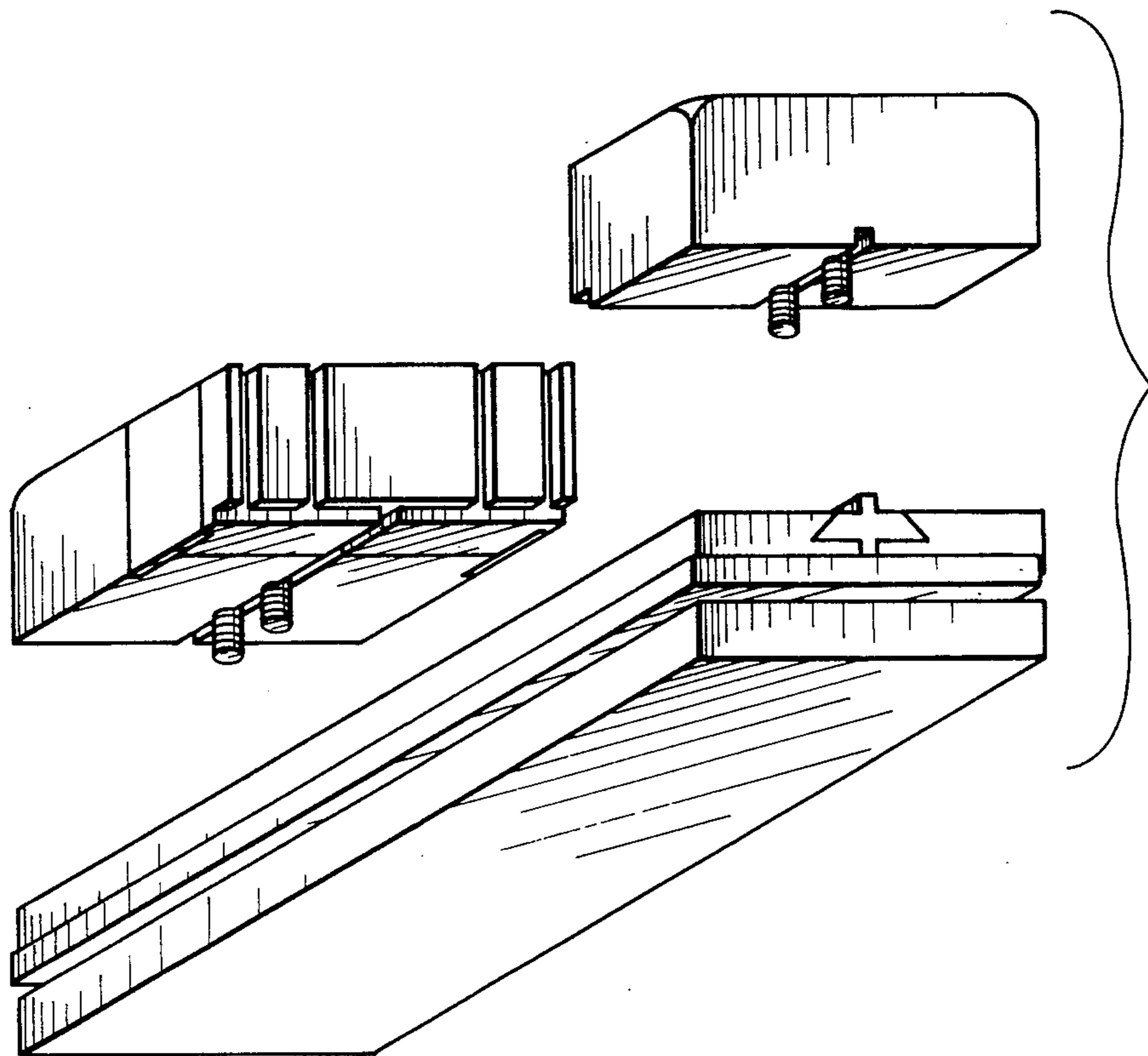


FIG. 2

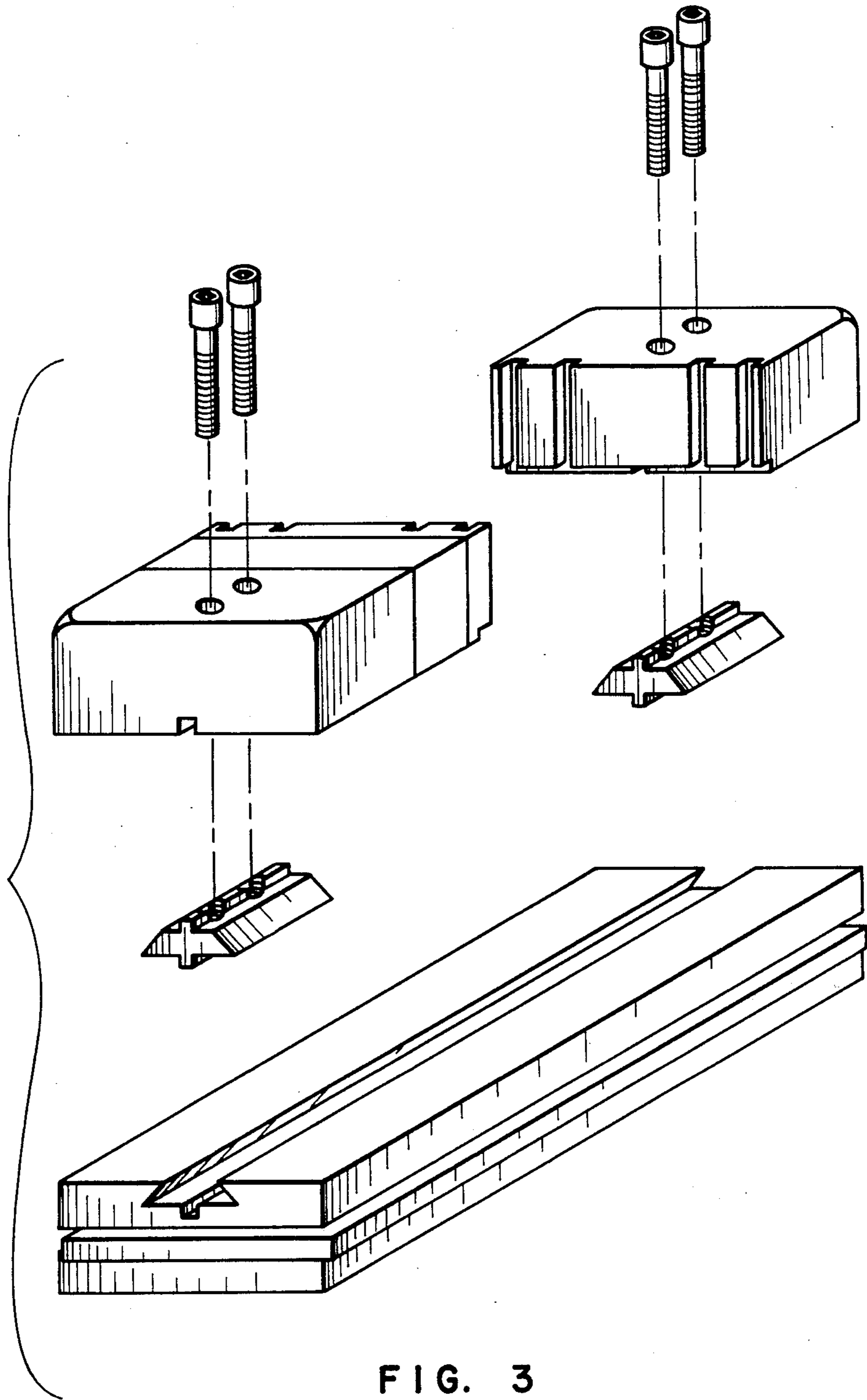


FIG. 3