

[54] ROTARY CUT-OFF APPARATUS FOR ROLLED WINDOW SHADES AND THE LIKE

Primary Examiner—W. Stallard
Attorney, Agent, or Firm—Price, Heneveld, Huizenga & Cooper

[75] Inventors: Paul J. Erpenbeck, Muskegon, Mich.; Milton P. Chernack, West Hempstead, N.Y.

[57] CLAIM

The ornamental design for a rotary cut-off apparatus for rolled window shades and the like, substantially as shown and described.

[73] Assignee: Breneman, Inc., Cincinnati, Ohio

[**] Term: 14 Years

DESCRIPTION

[21] Appl. No.: 836,690

FIG. 1 is a front perspective view of a rotary cut-off apparatus for rolled window shades and the like, showing our new design;

[22] Filed: Sep. 26, 1977

FIG. 2 is a front end elevational view thereof;

[51] Int. Cl. D08—03

FIG. 3 is a rear end elevational view thereof;

[52] U.S. Cl. D8/60; D8/98; 30/96

FIG. 4 is a right side elevational view of the device as seen in FIG. 3;

[58] Field of Search D8/60, 98; 30/96, 109-112

FIG. 5 is a right side elevational view of the device as seen in FIG. 2;

[56] References Cited

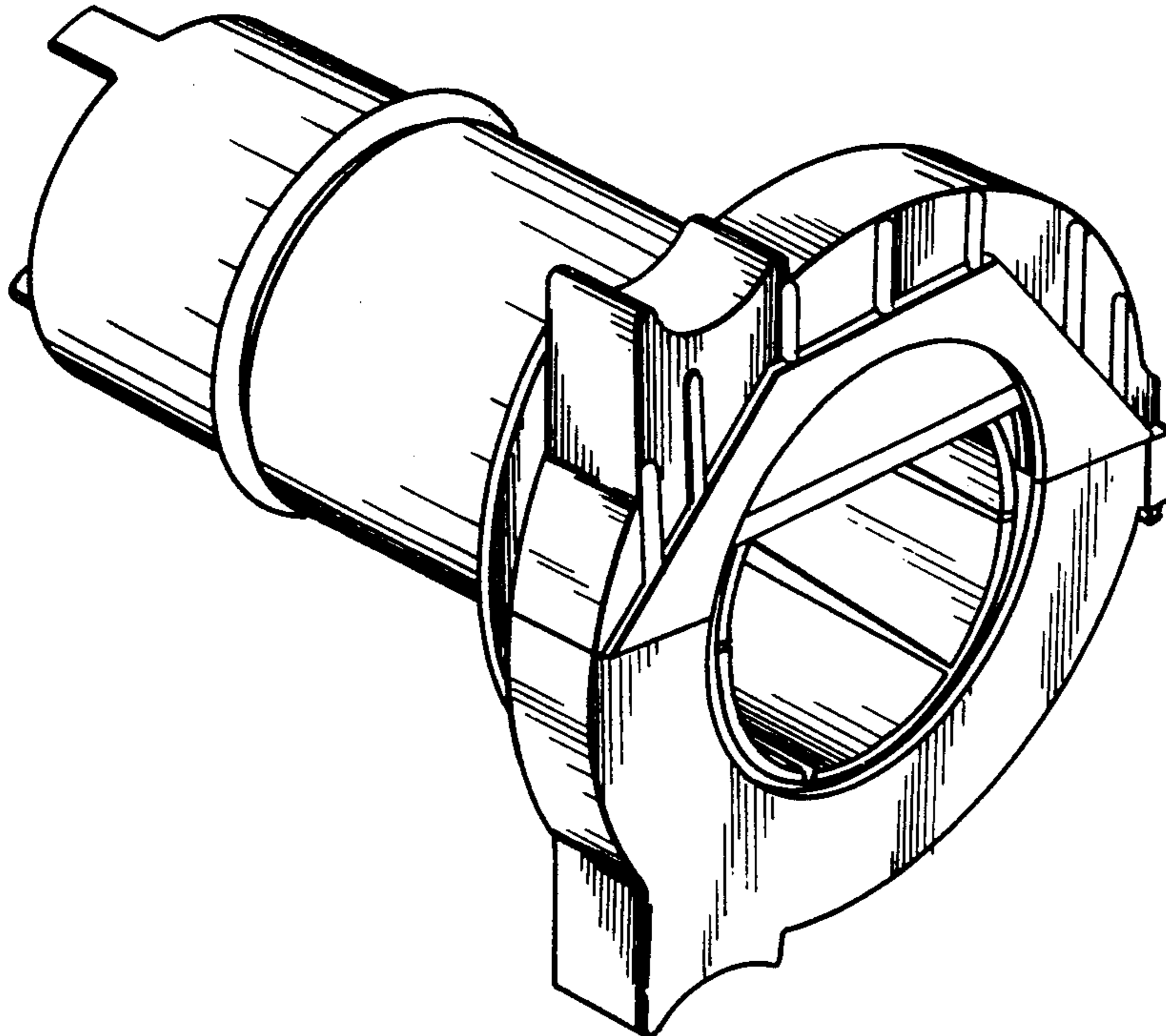
U.S. PATENT DOCUMENTS

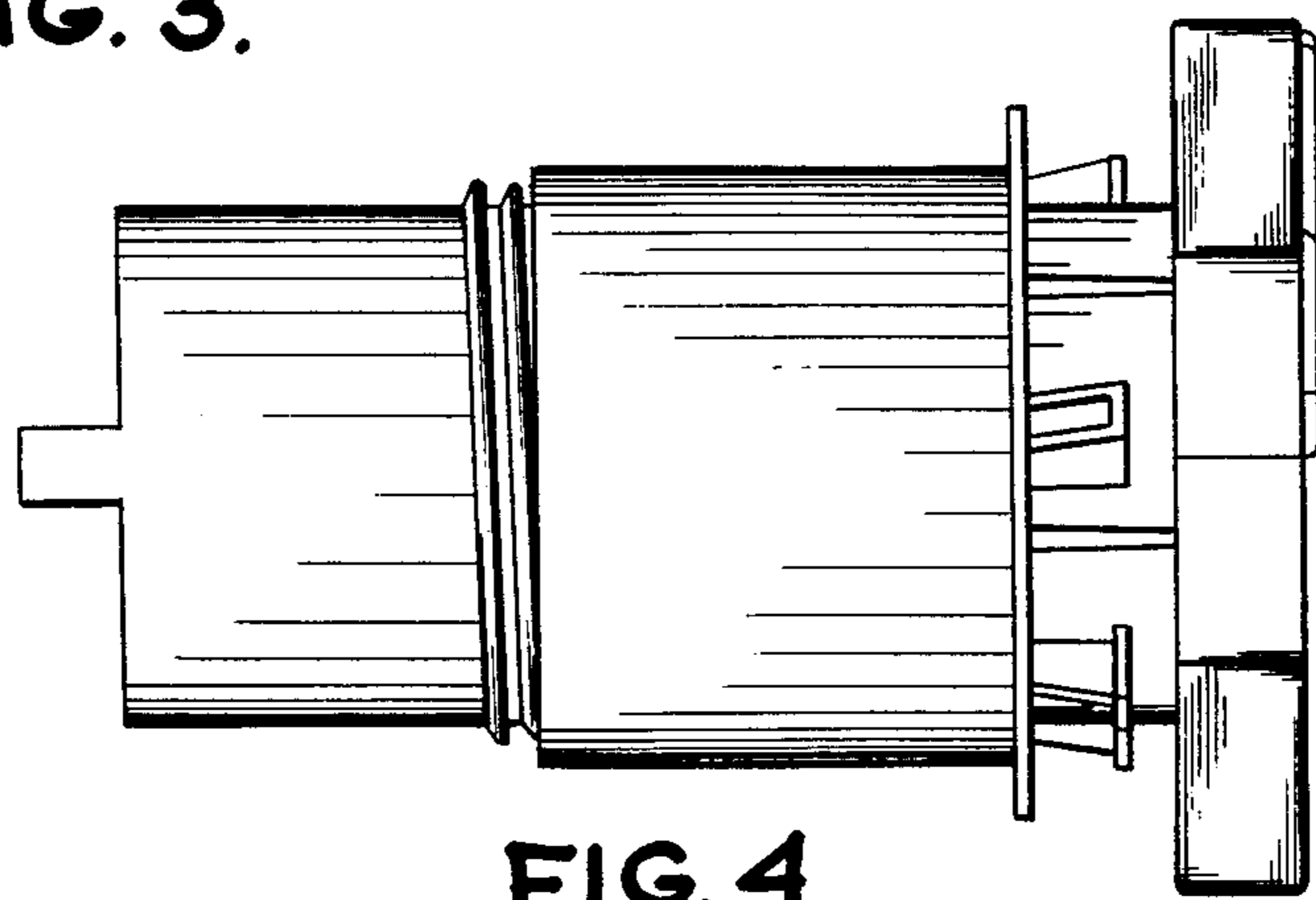
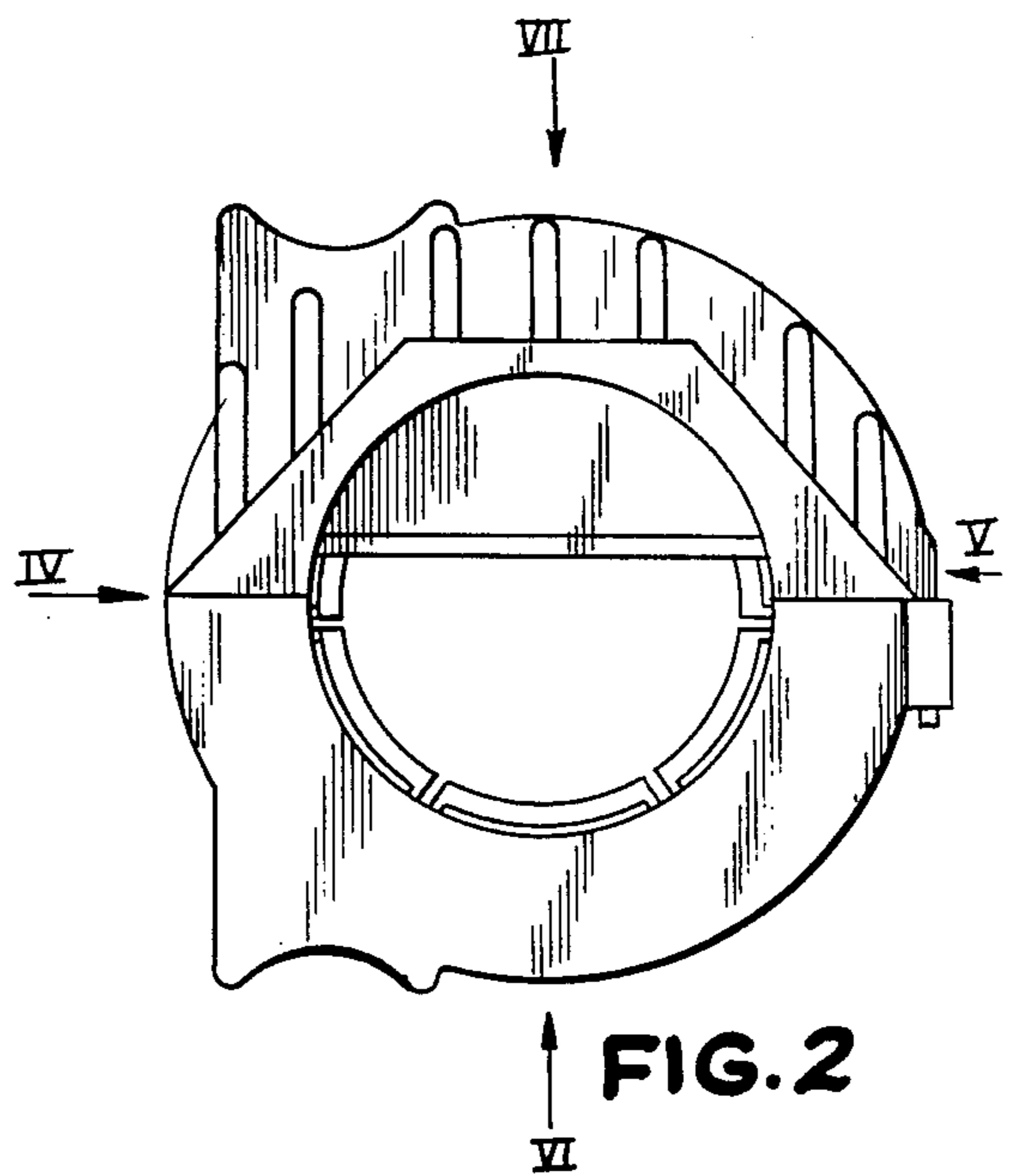
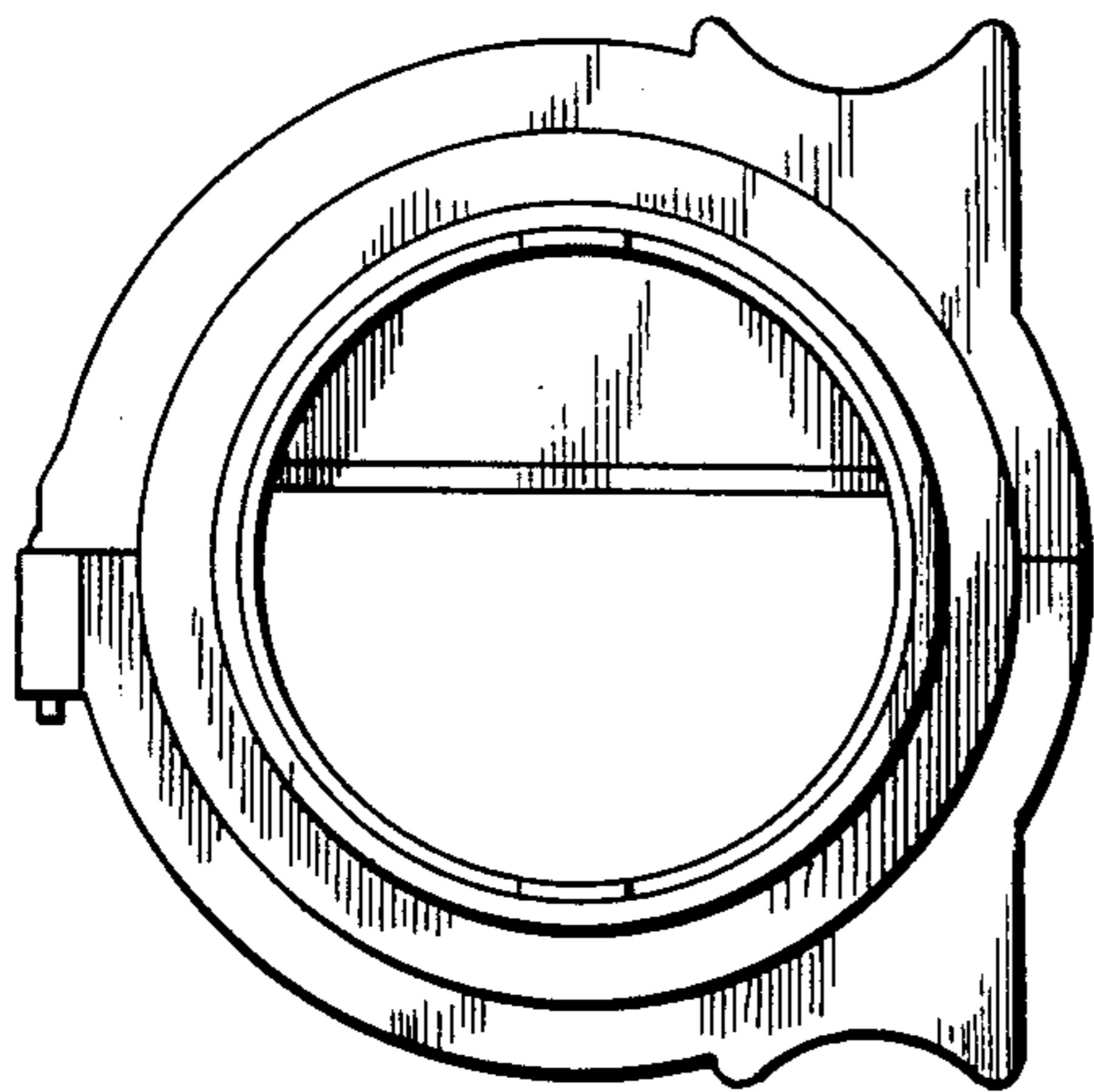
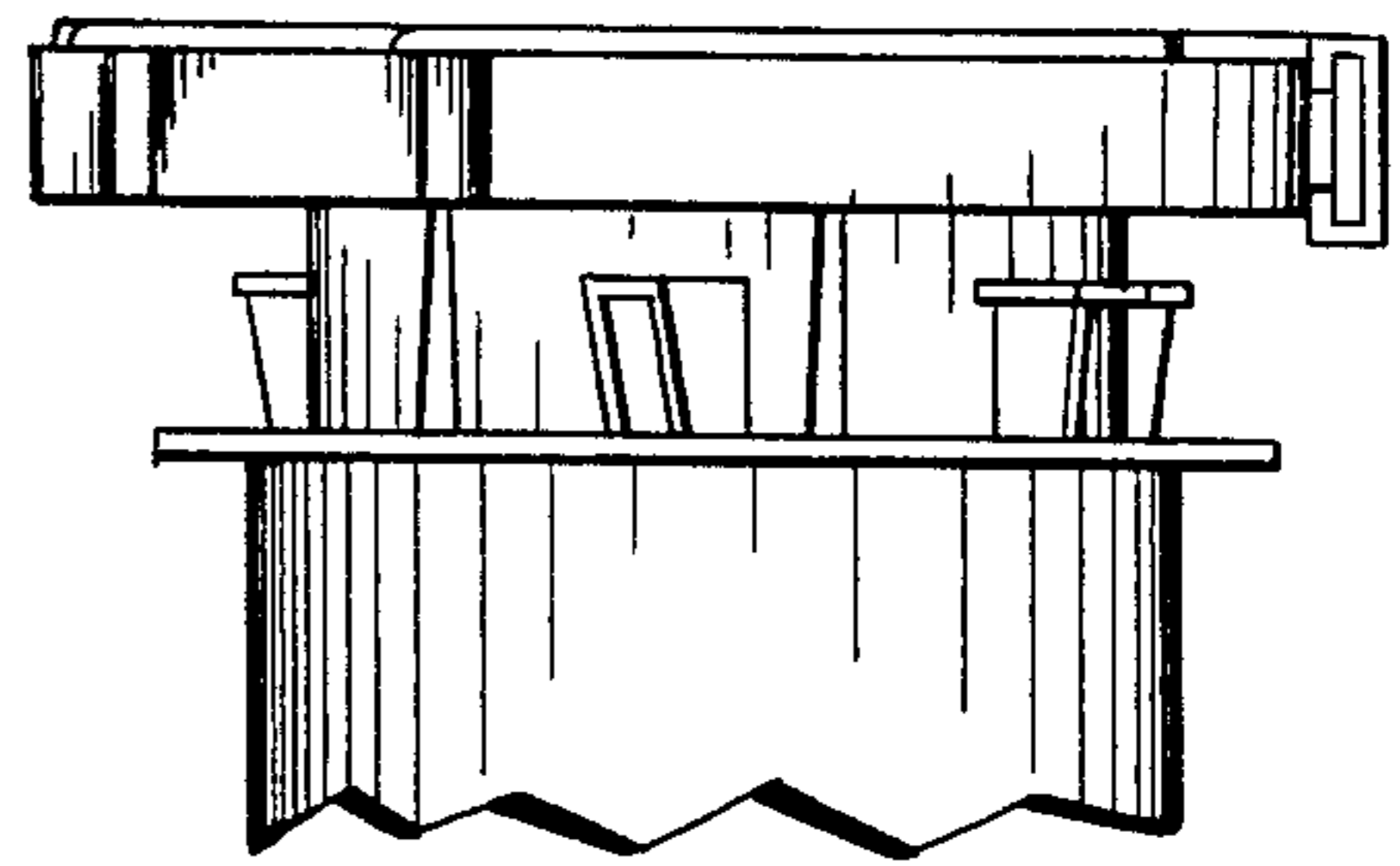
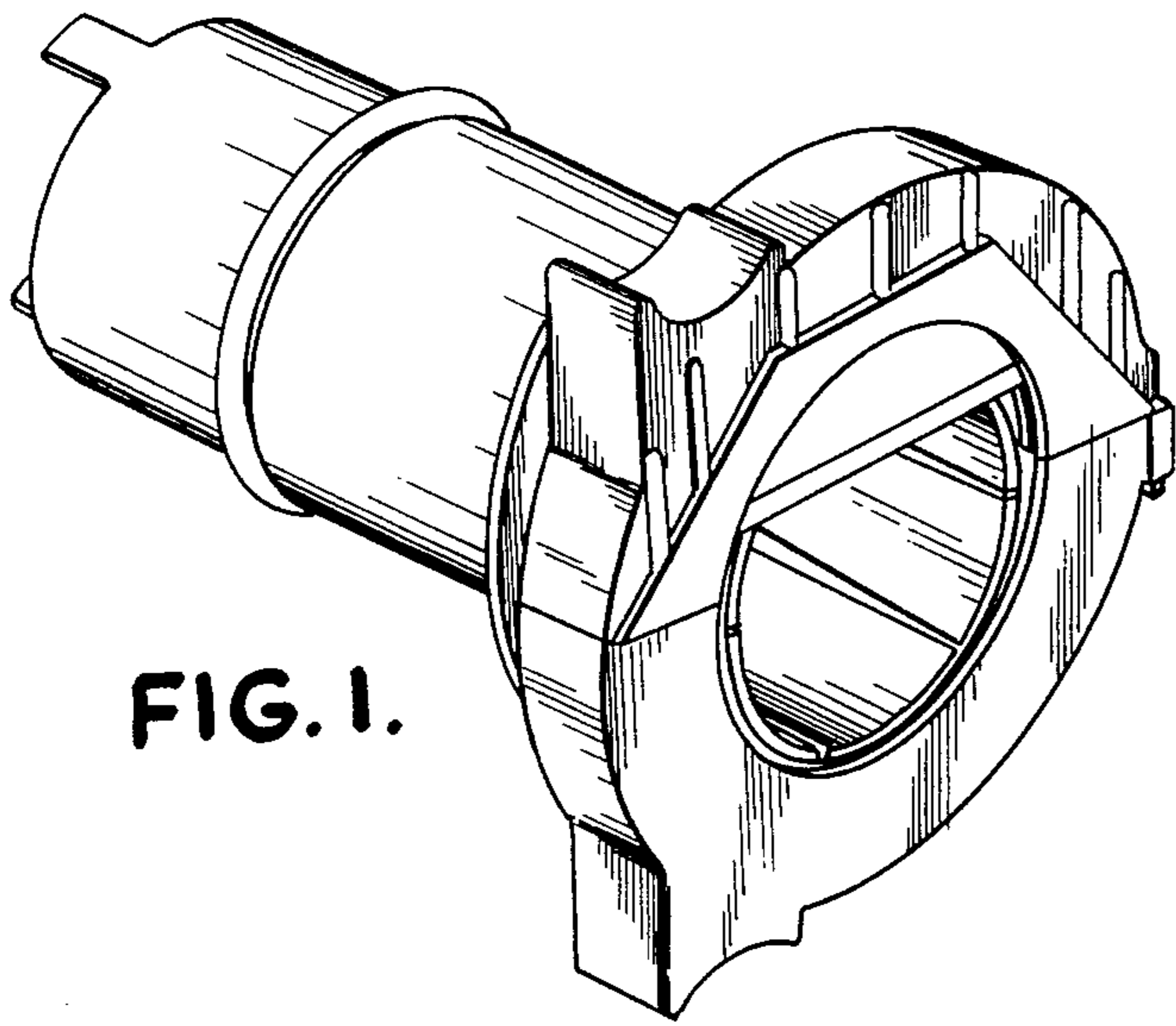
2,615,516	10/1952	Hyde	30/124
4,114,266	9/1978	Erpenbeck	30/96
4,139,941	2/1979	Meacham	30/96

FIG. 6 is a fragmentary bottom plan view of the device as shown in FIG. 2;

FIG. 7 is a top plan view thereof; and

FIG. 8 is an exploded perspective view of the device, similar to FIG. 1.





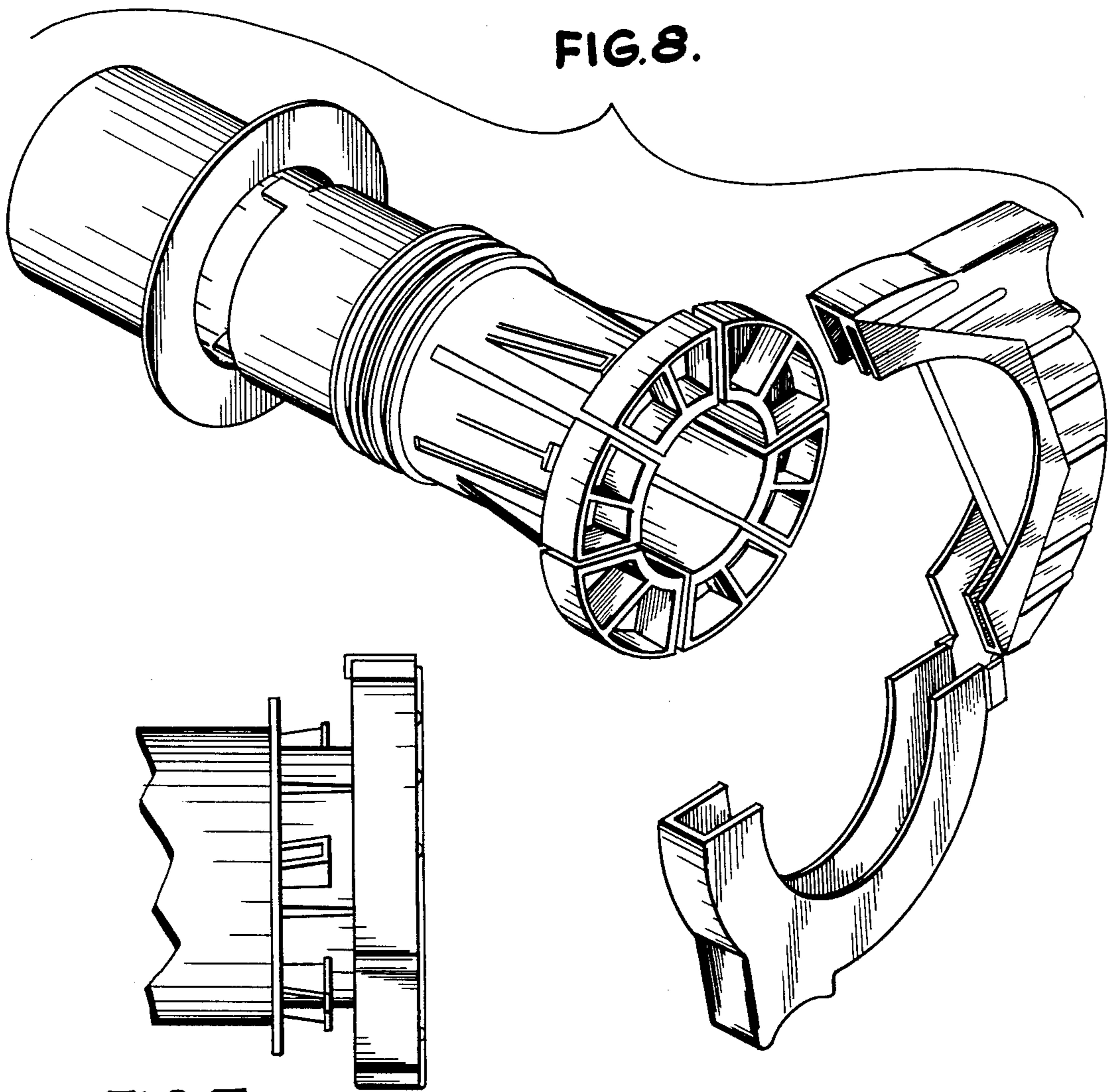


FIG. 8.

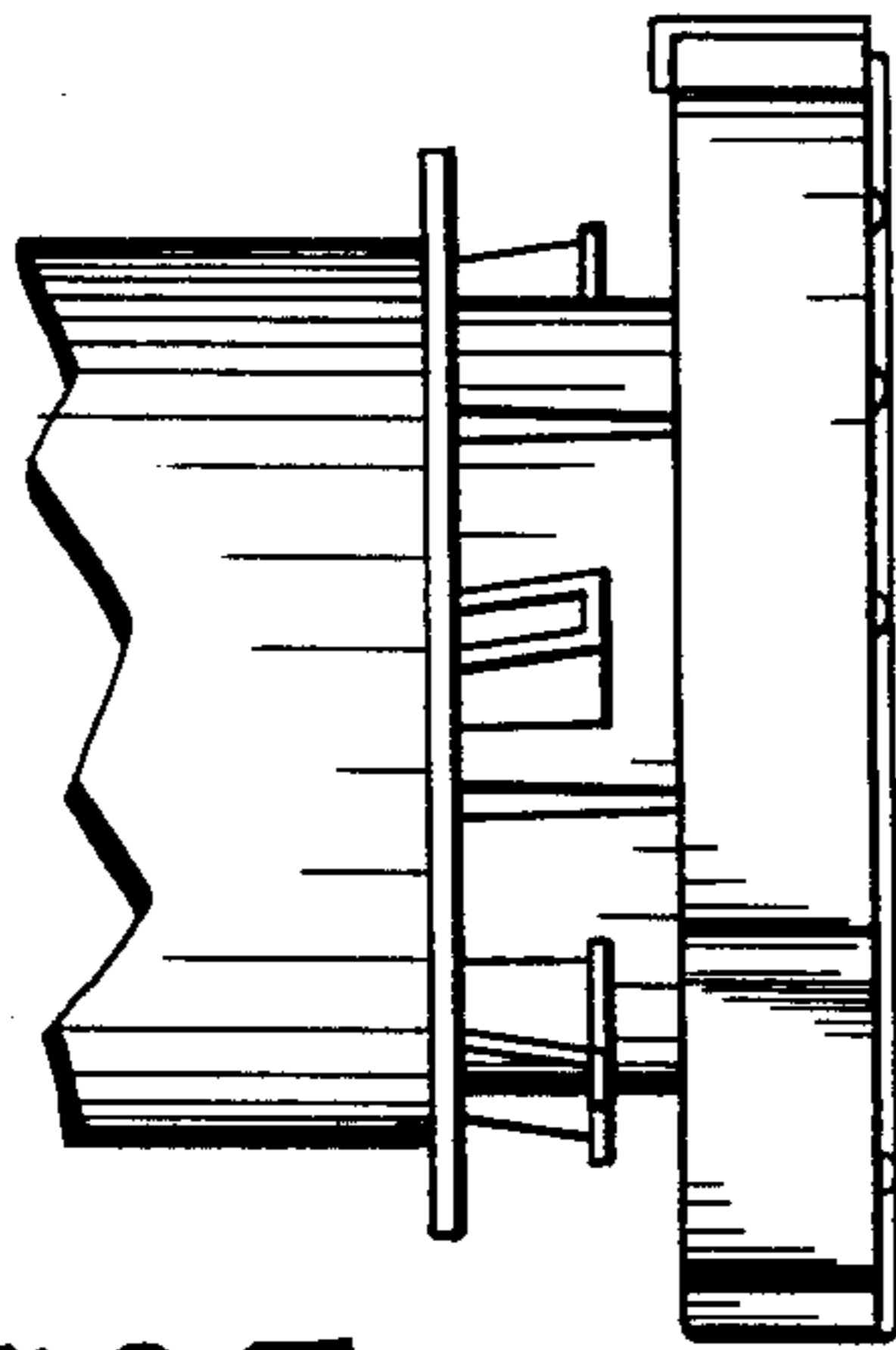


FIG. 7.

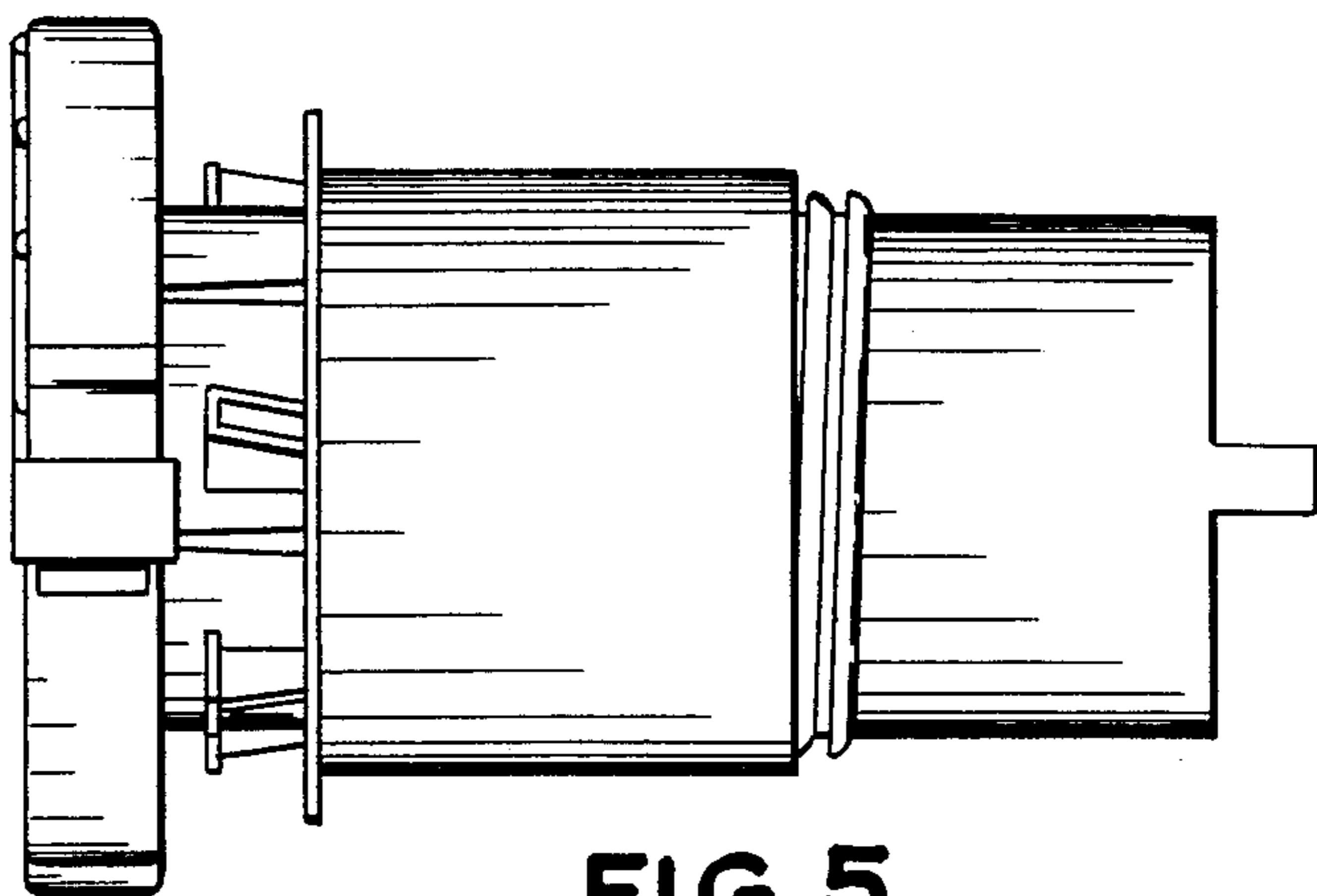


FIG. 5.