

[54] DRAWER

[75] Inventors: Leon G. Litchfield; Terence Hardy, both of Belper, England

[73] Assignee: L. B. (Plastics) Limited, Belper, England

[**] Term: 14 Years

[21] Appl. No.: 872,957

[22] Filed: Jan. 27, 1978

[30] Foreign Application Priority Data

Jul. 29, 1977 [GB] United Kingdom 980962/77

[51] Int. Cl. D6-06

[52] U.S. Cl. D6/191

[58] Field of Search D6/158-166, D6/191; 312/263, 330, 330 R, 343, 344, 347

[56] References Cited

U.S. PATENT DOCUMENTS

3,901,572	8/1975	Litchfield	312/263 X
4,099,815	7/1978	Cox et al.	312/330 R

Primary Examiner—Bruce W. Dunkins
Attorney, Agent, or Firm—Charles O. Marshall, Jr.

[57] CLAIM

The ornamental design for a drawer, as shown and described.

DESCRIPTION

FIG. 1 is a perspective view of the drawer from the rear and one side;

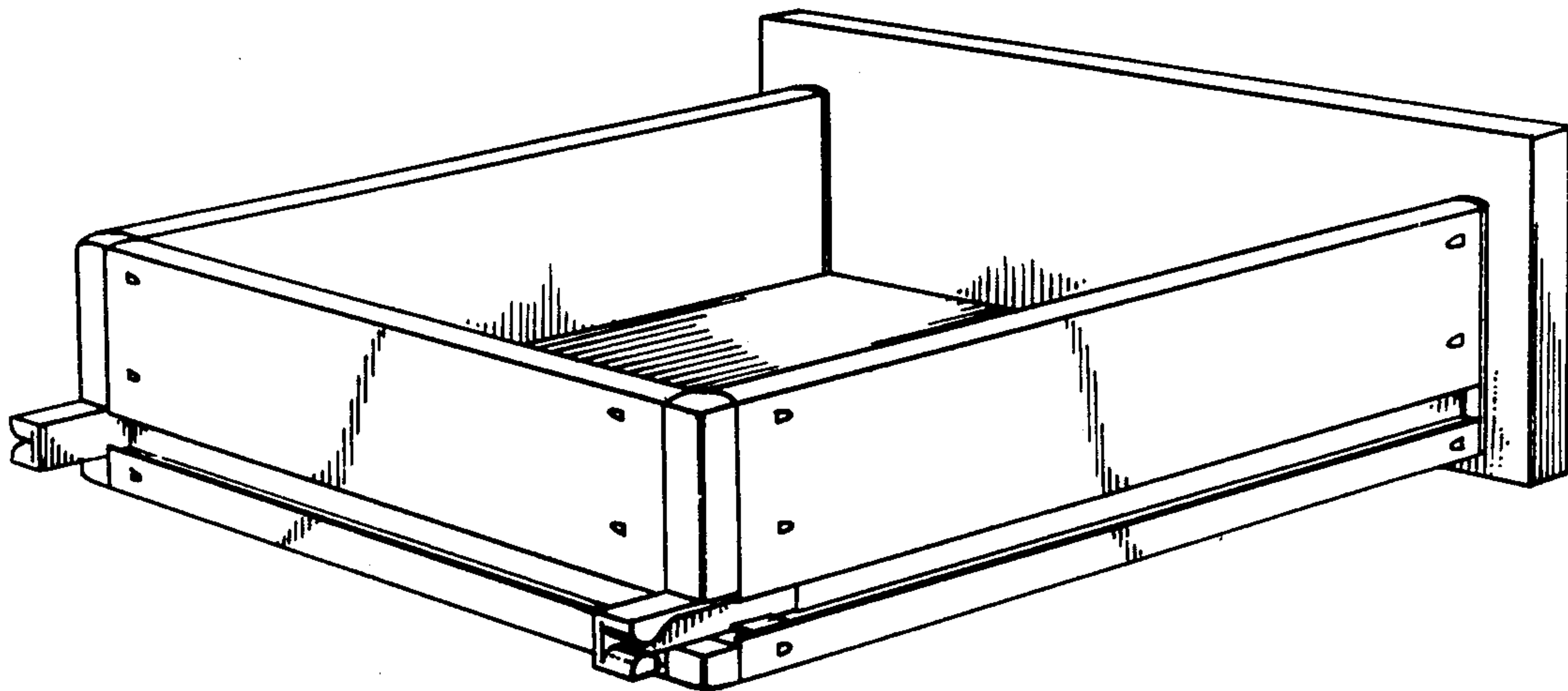
FIG. 2 is a side view of the drawer;

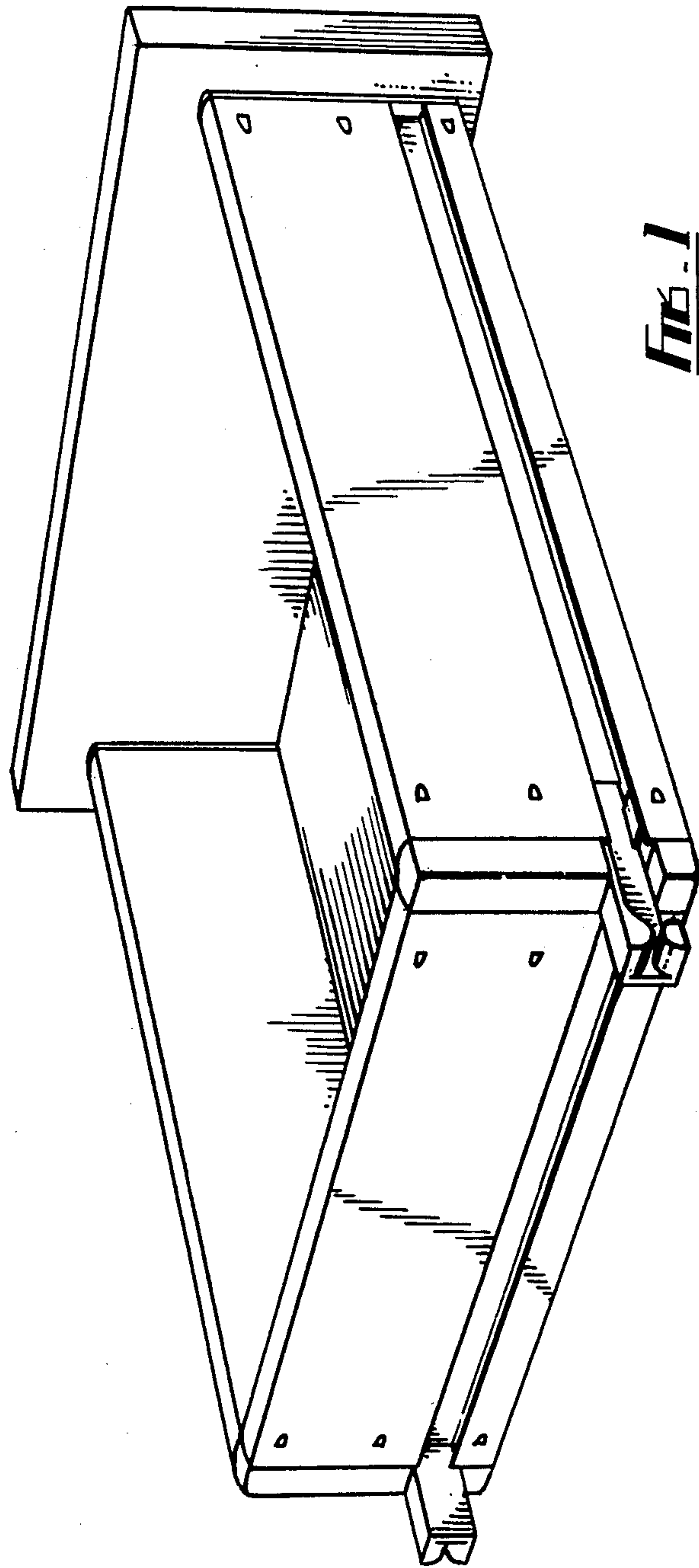
FIG. 3 is a rear view of the drawer;

FIG. 4 is a front view of the drawer; and

FIG. 5 is a plan view of the drawer.

The side of the drawer not shown is a mirror image of the side shown in FIG. 2.





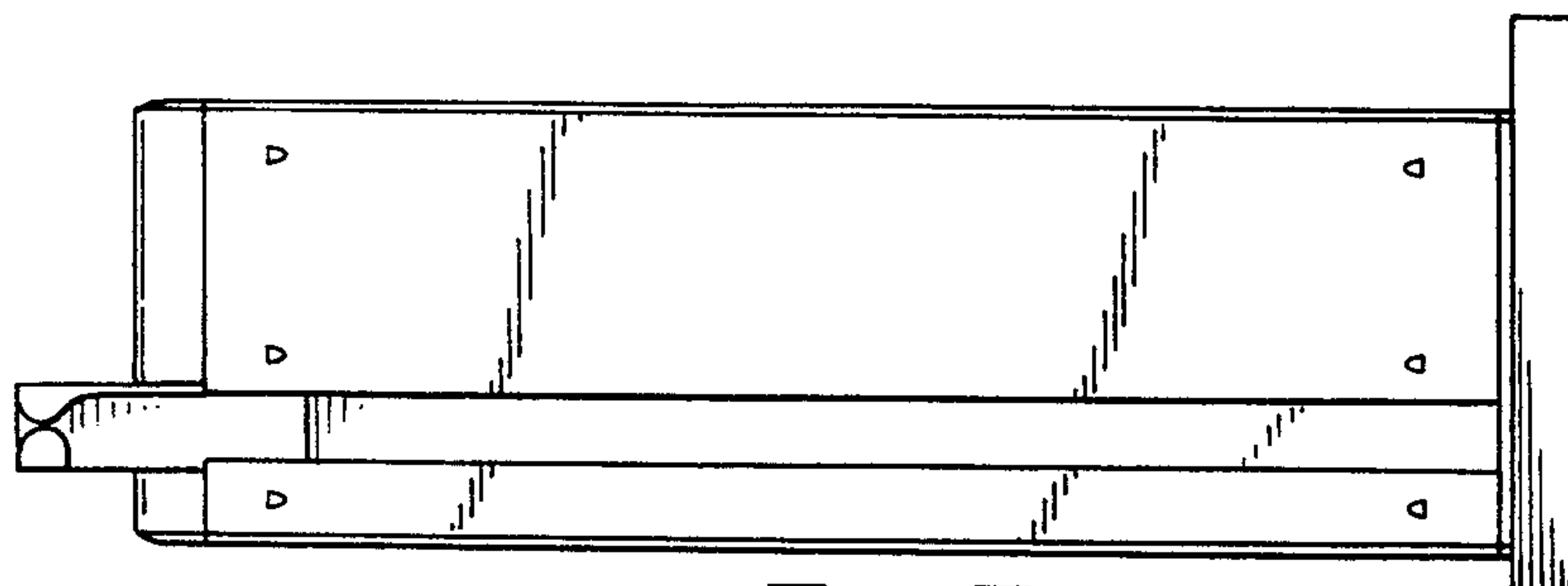


FIG. 2

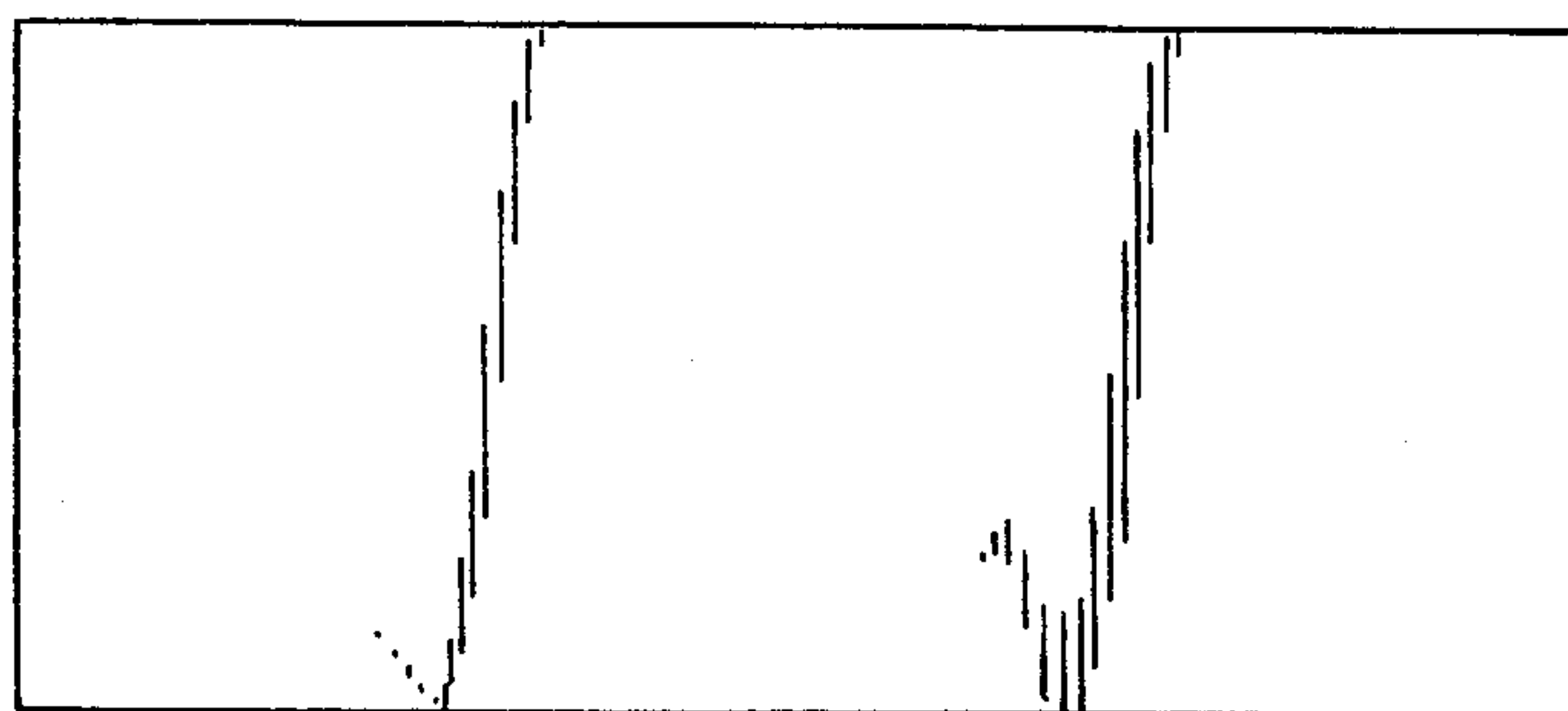


FIG. 4

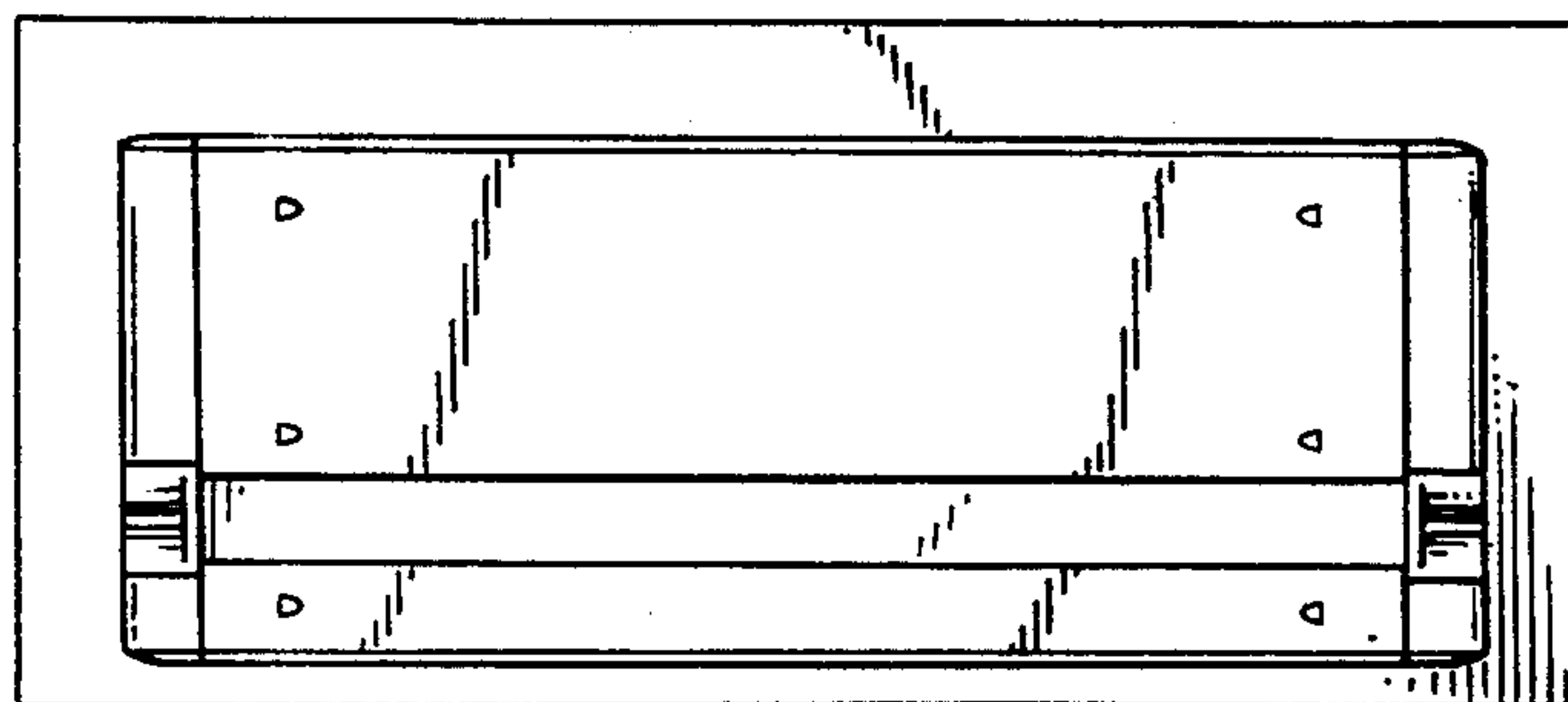


FIG. 3

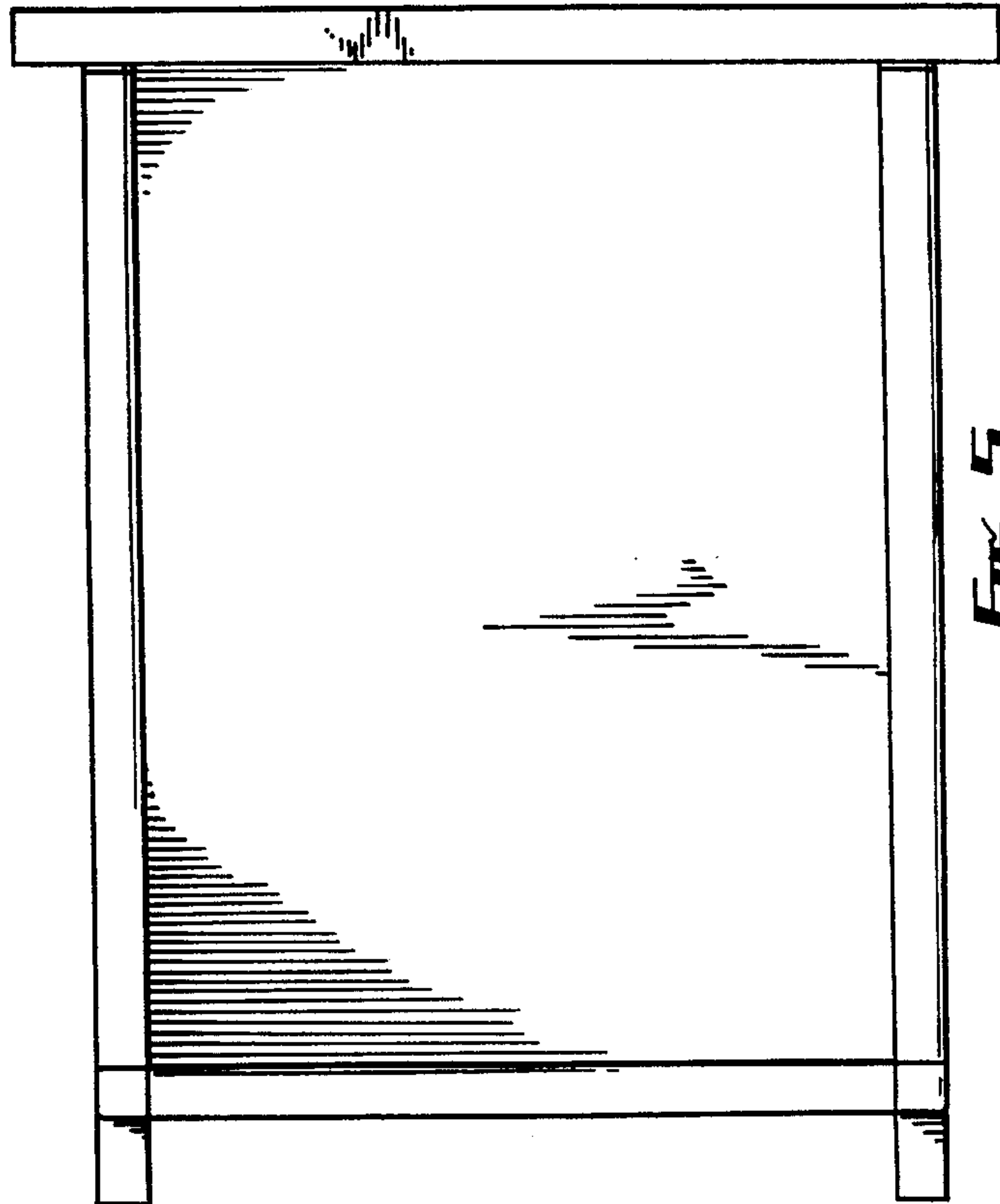


FIG. 5