

[54] TABLE OR THE LIKE

[76] Inventor: John O. Van Koert, 190 E. 72nd St., New York, N.Y. 10021

[**] Term: 14 Years

[21] Appl. No.: 836,201

[22] Filed: Sep. 23, 1977

[51] Int. Cl. D6-03

[52] U.S. Cl. D6/177; D6/167

[58] Field of Search D6/27, 146, 149, 175, D6/177, 178, 179

[56] References Cited

U.S. PATENT DOCUMENTS

D. 21,803	8/1892	Nuttall	D6/177
D. 68,313	9/1925	Jones	D6/167
D. 233,499	11/1974	Sakata	D6/179

D. 238,379	1/1976	Miller	D6/179 X
D. 246,407	11/1977	Holdam, Jr.	D6/179
2,574,924	11/1951	Larson	D6/177 X

OTHER PUBLICATIONS

New York Times, Magazine Section, 1-22-1950, p. 31, Chest by Parzinger.
"Mak-Kratt" Pamphlet, Cocktail Table No. 912.

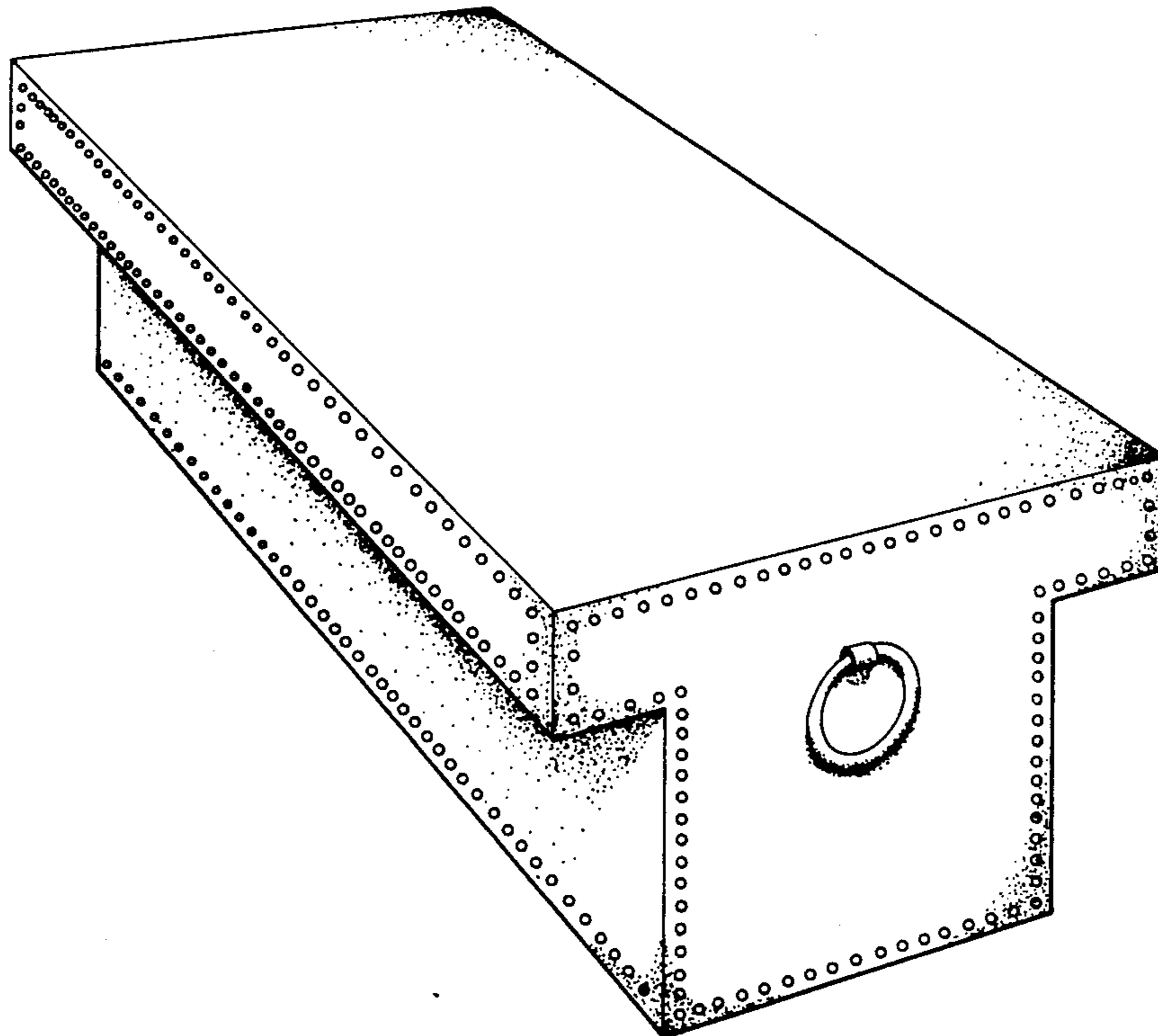
Primary Examiner—Bruce W. Dunkins
Attorney, Agent, or Firm—Mills & Coats

[57] CLAIM

The ornamental design for a table or the like, as shown and described.

DESCRIPTION

The FIGURE is a perspective view of a table or the like, showing my new design.
The side and end not shown are mirror images of respective sides and end shown.



U.S. Patent

Jul. 1, 1980

Des. 255,629

