

[54] **BRACKET FOR HAND HELD SHOWERHEAD**
[75] Inventor: Clifford E. Grube, Niles, Ill.
[73] Assignee: Associated Mills, Inc., Chicago, Ill.
[**] Term: 14 Years
[21] Appl. No.: 819,223
[22] Filed: Jul. 26, 1977
[51] Int. Cl. D6-06
[52] U.S. Cl. D6/86
[58] Field of Search D23/34-40;
239/587, 588; D6/86

[56] **References Cited**
U.S. PATENT DOCUMENTS
D. 147,771 10/1947 Wallack D6/86
D. 240,178 6/1976 Johansen D6/86
D. 251,045 2/1979 Grubb D6/86

3,865,310 2/1975 Elkins et al. 239/588 X
4,091,998 5/1978 Peterson 239/588 X

Primary Examiner—James R. Largen
Attorney, Agent, or Firm—George B. Newitt

[57] **CLAIM**

The ornamental design for a bracket for hand held showerhead, as shown and described.

DESCRIPTION

FIG. 1 is a perspective view of my bracket for hand held showerhead showing my new design;
FIG. 2 is an enlarged perspective view thereof;
FIG. 3 is a top plan view thereof, the bottom plan view being a mirror image thereof;
FIG. 4 is a front elevational view thereof;
FIG. 5 is a side elevational view showing one side thereof, the side elevational view of the other side being a mirror image of the side shown;
FIG. 6 is a rear elevational view thereof.

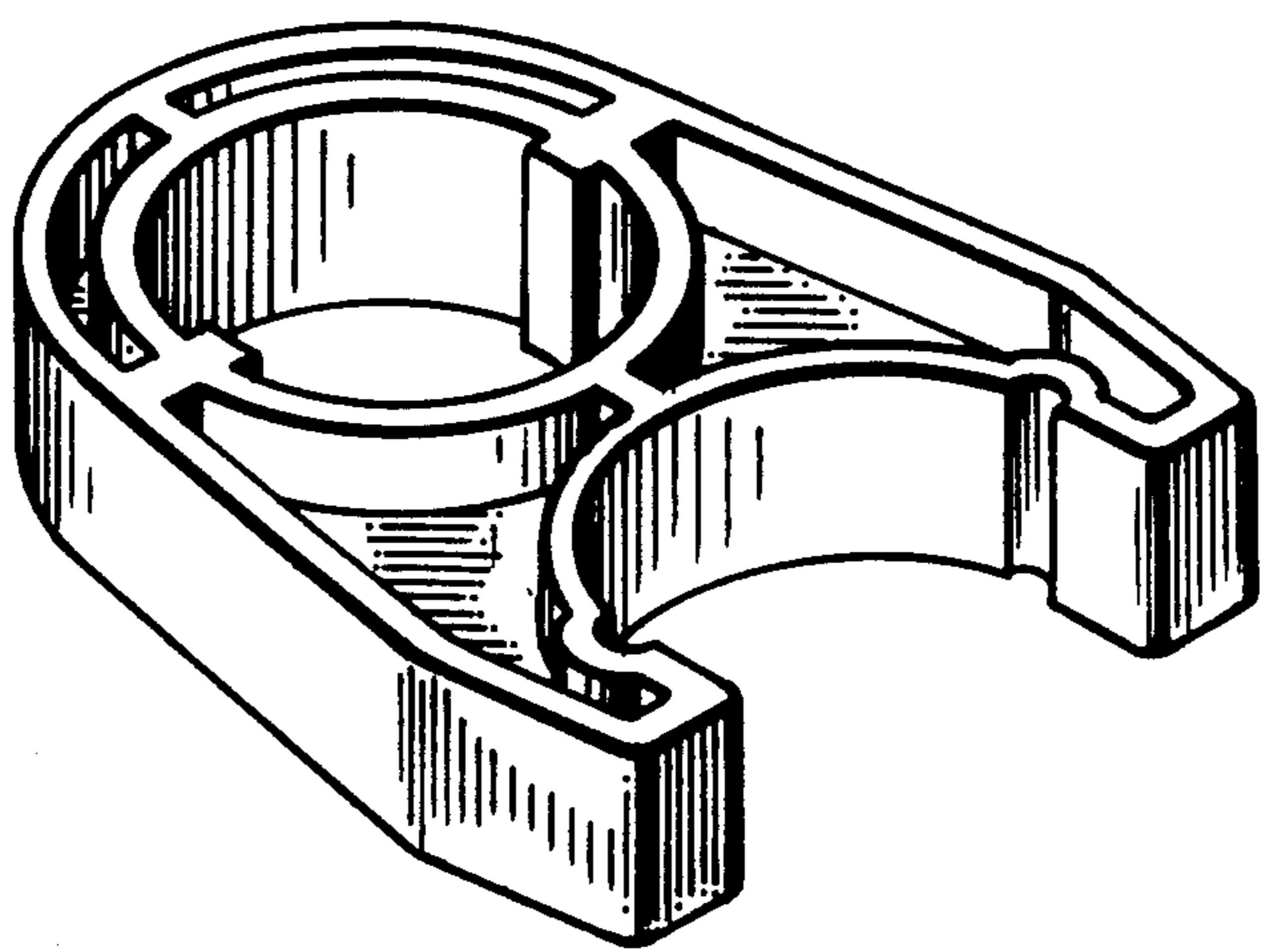


Fig. 1

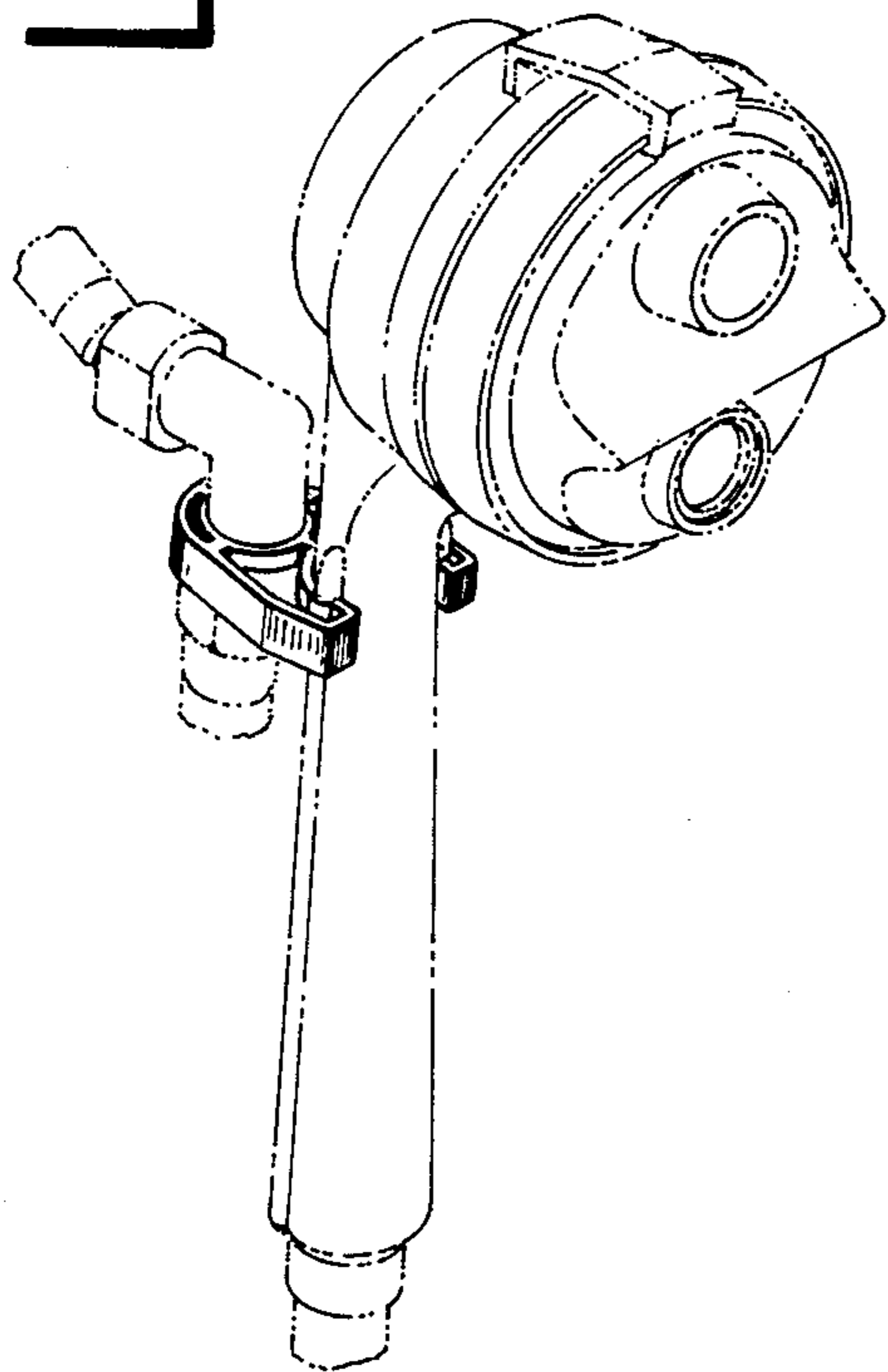


Fig. 2

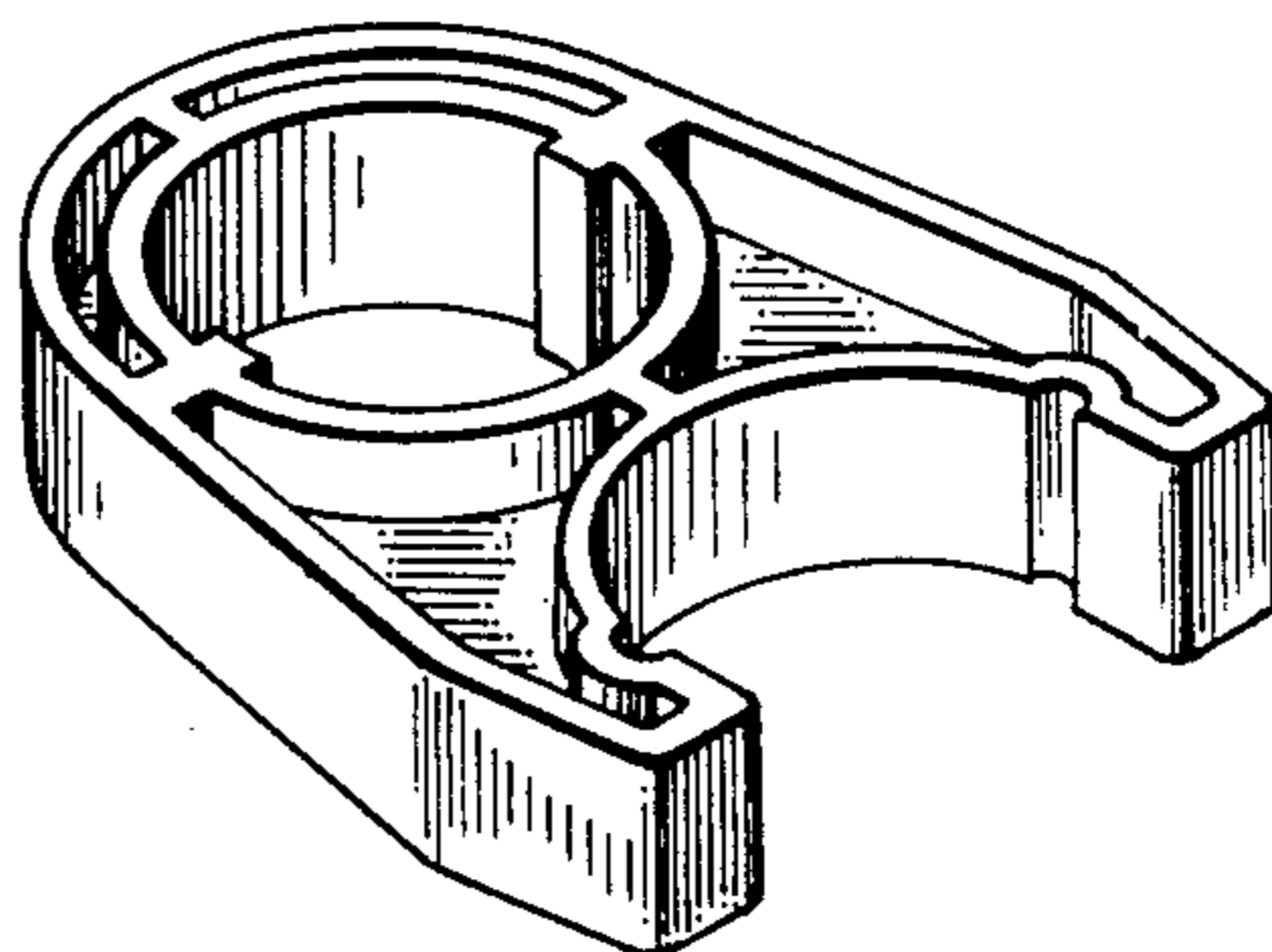


Fig. 3

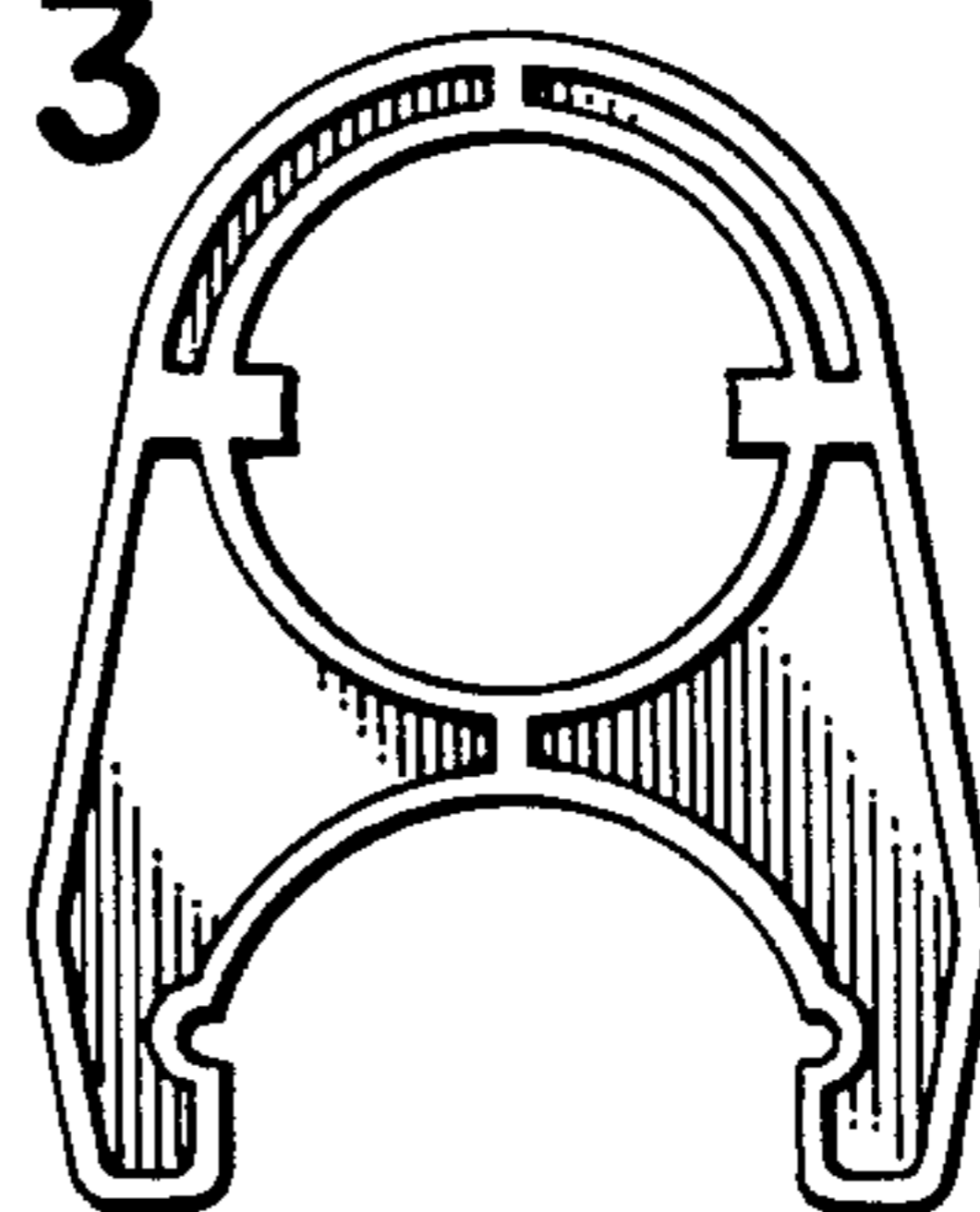


Fig. 5



Fig. 6

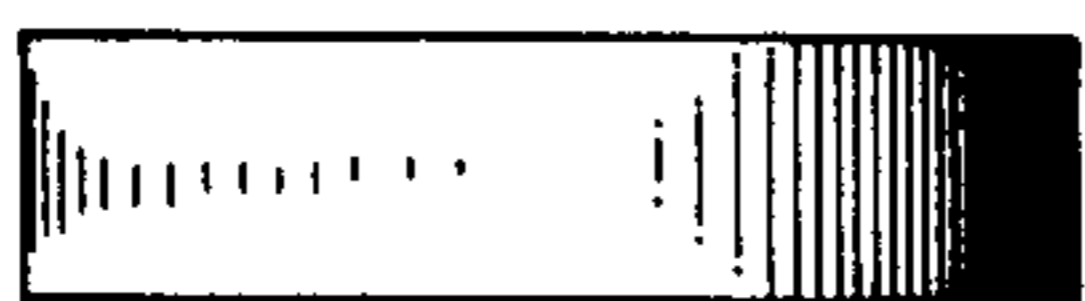


Fig. 4

