

[54] DENTAL CHAIR

[75] Inventor: Sadayasu Ota, Kyoto, Japan

[73] Assignee: Kabushiki Kaisha Morita Seisakusho, Kyoto, Japan

[**] Term: 14 Years

[21] Appl. No.: 858,419

[22] Filed: Dec. 7, 1977

[30] Foreign Application Priority Data

Jul. 29, 1977 [JP] Japan 52-30307

[51] Int. Cl. D6-01

[52] U.S. Cl. D6/22; D6/37

[58] Field of Search D6/20, 22, 26, 37, 7, D6/200; D24/3, 4, 7; 297/391, 396, 417, 418, 458

[56] References Cited

U.S. PATENT DOCUMENTS

D. 161,164	12/1950	Collura	D6/22
D. 206,585	1/1967	Gardella et al.	D6/22
D. 223,489	4/1972	Olsen	D6/22
D. 227,952	7/1973	Costabile	D6/37 X
D. 230,237	2/1974	Beach et al.	D6/22 X
3,729,227	4/1973	Ohta	297/391

Primary Examiner—Bruce W. Dunkins
Attorney, Agent, or Firm—Koda and Androlia

[57] CLAIM

The ornamental design for a dental chair, substantially as shown and described.

DESCRIPTION

FIG. 1 is a top plan view of a dental chair showing my new design;
FIG. 2 is a right side elevational view thereof;
FIG. 3 is a bottom view thereof;
FIG. 4 is a rear elevational view thereof;
FIG. 5 is a front elevational view thereof; and
FIG. 6 is a perspective view thereof.
The side of the dental chair not shown is a mirror image of the side shown in FIG. 2.

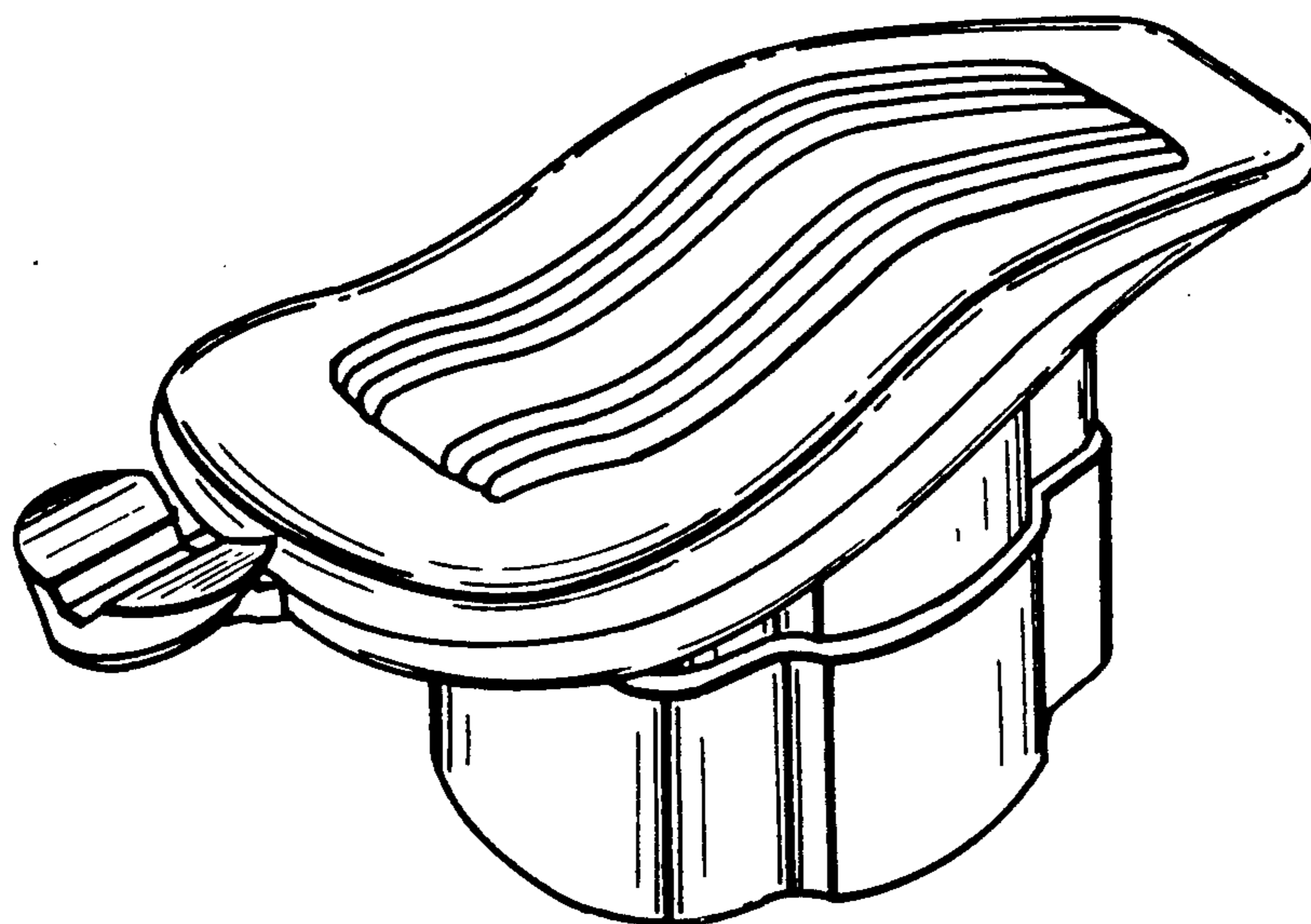


FIG. 1

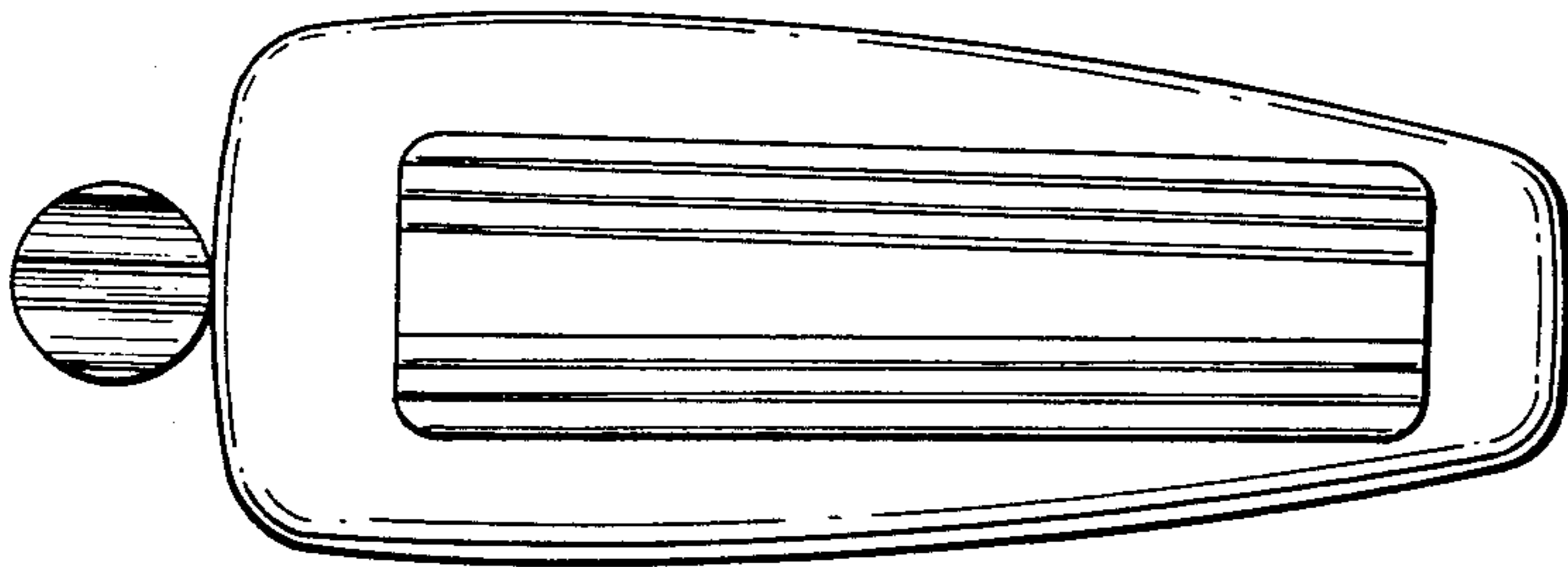


FIG. 4

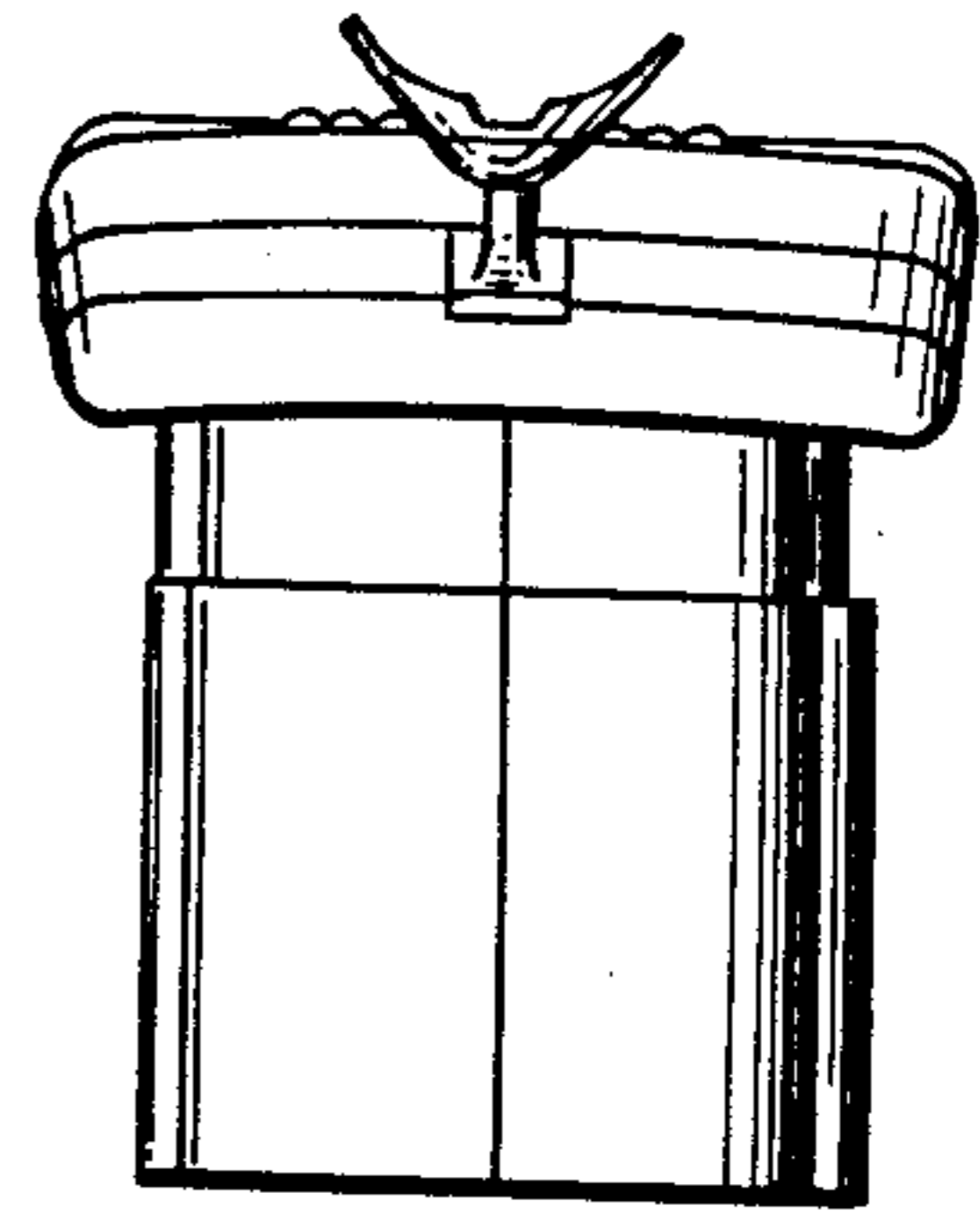


FIG. 2

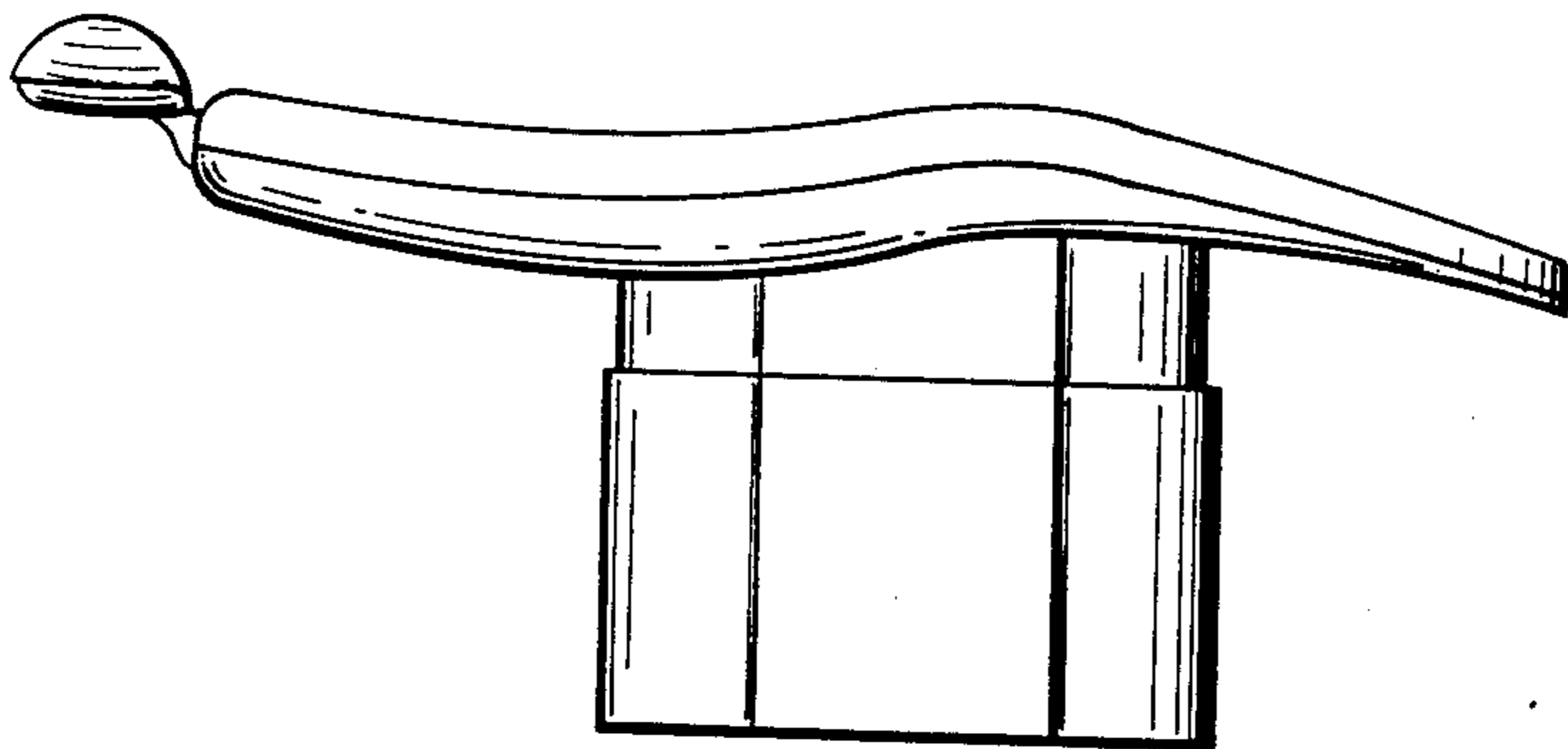


FIG. 5

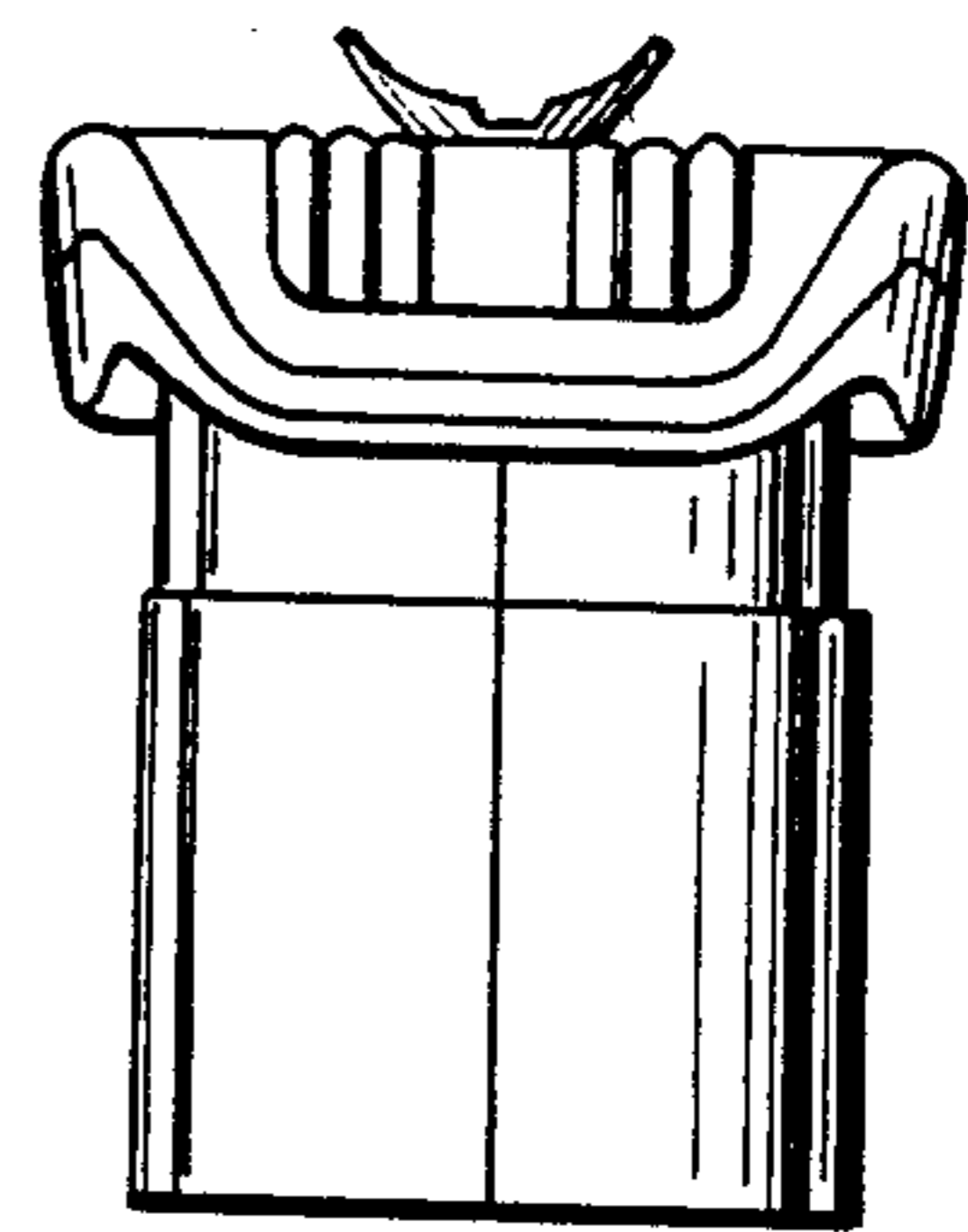


FIG. 3

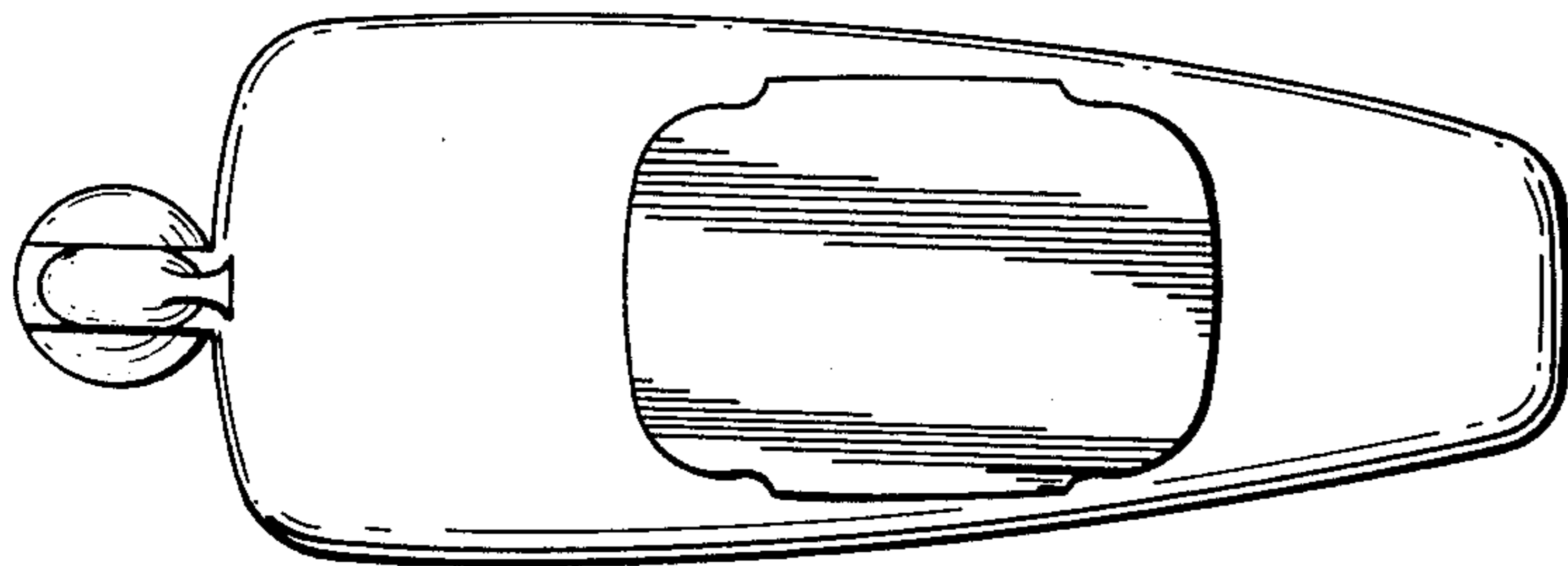


Fig. E

