

[54] COMBINED SADDLE AND TACK RACK

[76] Inventor: **Bloxum H. Love**, 5333 Lanibeth,
Houston, Tex. 77032

[**] Term: **14 Years**

[21] Appl. No.: **903,387**

[22] Filed: **May 5, 1978**

[51] Int. Cl. **D30-99**

[52] U.S. Cl. **D30/45; D6/85;**
D12/34

[58] Field of Search **D30/45, 99; D12/32,**
D12/34; D6/20, 29, 85; 280/47.17, 47.19,
47.24, 47.28, 79.1 A, 79.3

[56] **References Cited**

U.S. PATENT DOCUMENTS

D. 42,635	6/1912	Lack	D30/45
D. 173,717	12/1954	Bull	D30/45
D. 190,853	7/1961	Neville	D12/34
D. 208,155	7/1967	Swanson	D30/45
D. 221,871	9/1971	Pearce	D30/45
3,305,101	2/1967	Mills	211/87

3,315,819	4/1967	Kingsbery	D30/45 X
3,688,912	9/1972	Wilmoth	211/87
3,780,971	12/1973	De Filippis	D30/45 X
3,804,432	4/1974	Lehrman	280/47.19
3,930,663	1/1976	Scripter	280/654

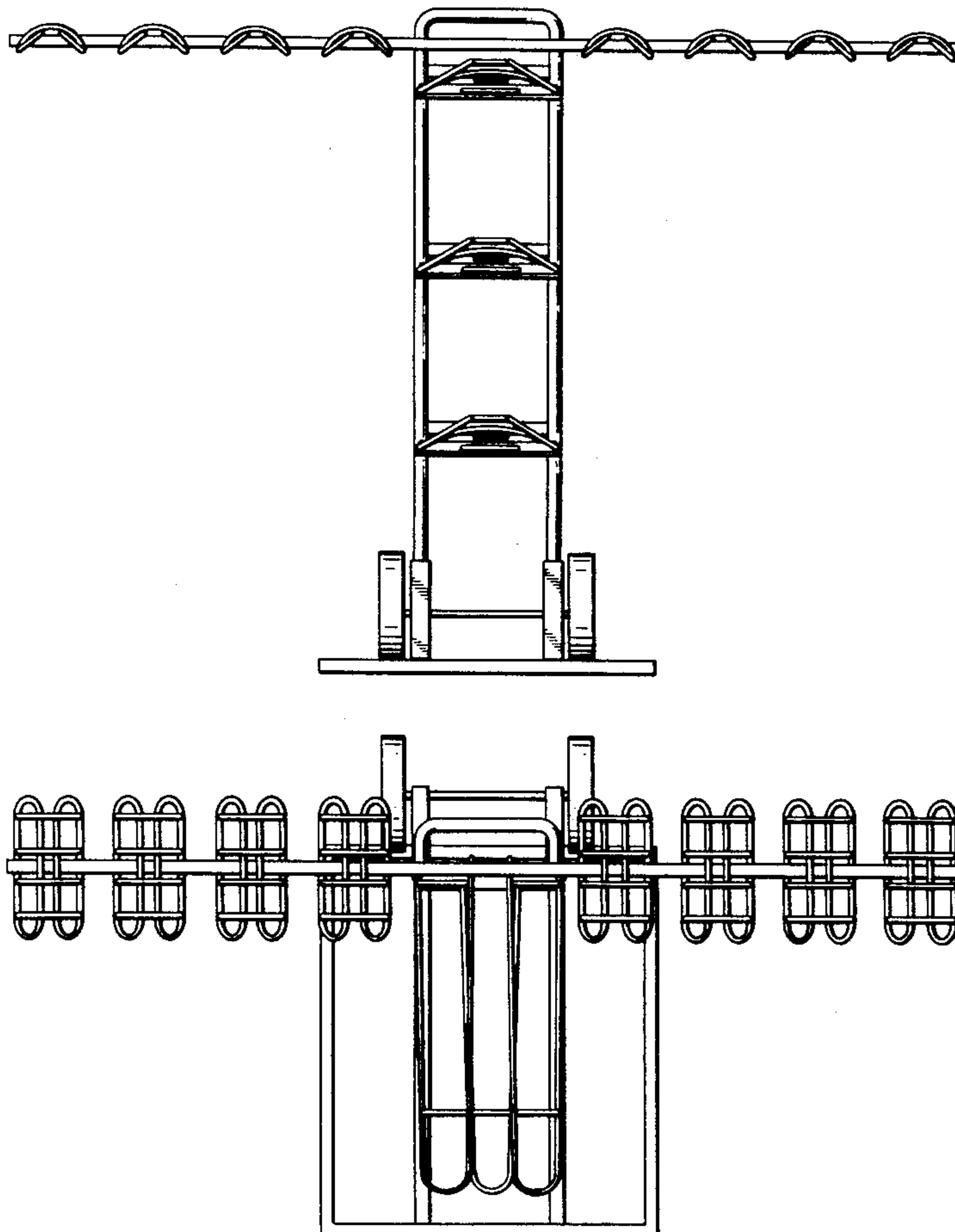
Primary Examiner—James R. Largen
Attorney, Agent, or Firm—Pravel, Gambrell, Hewitt,
Kirk, Kimball & Dodge

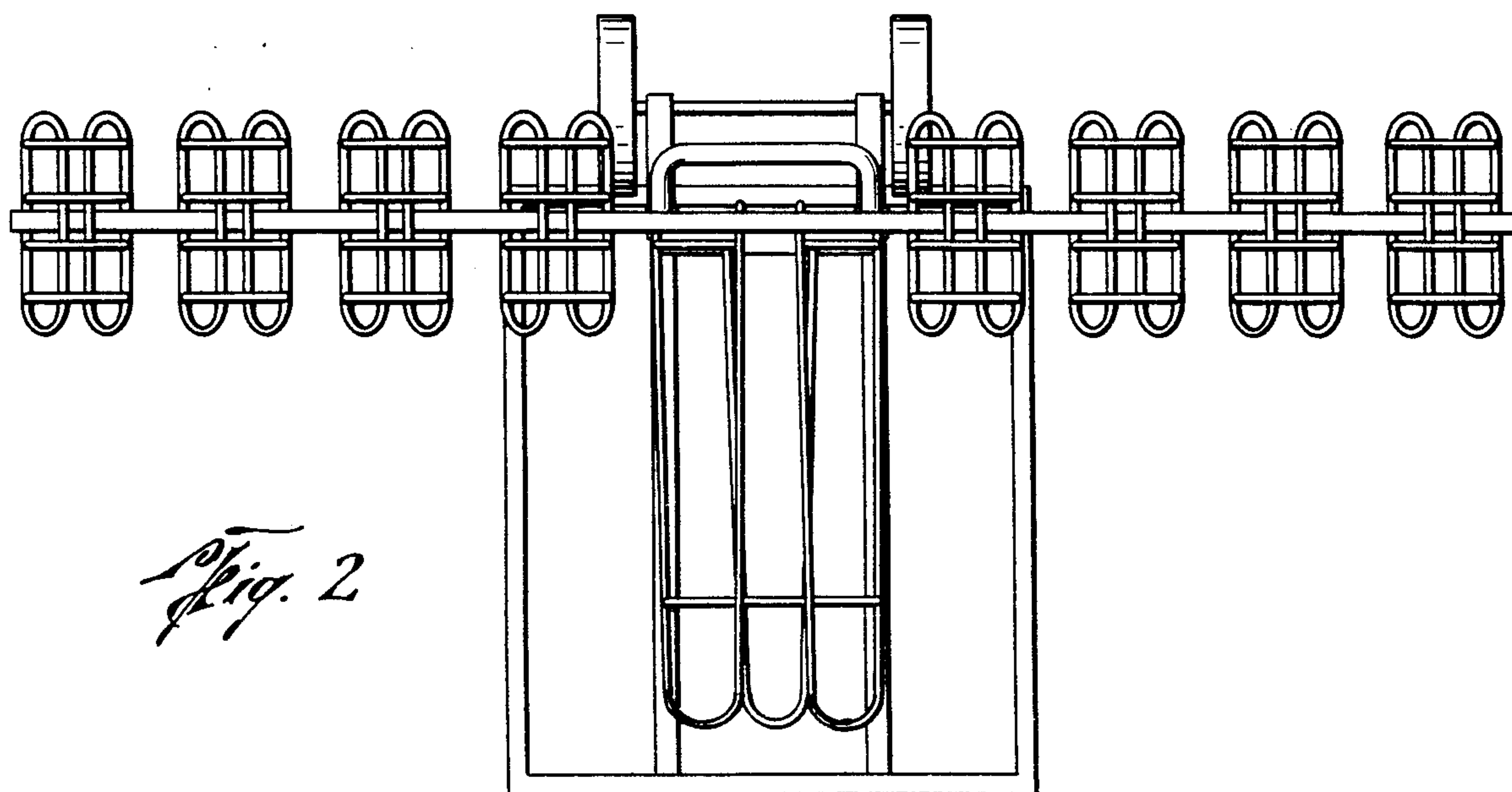
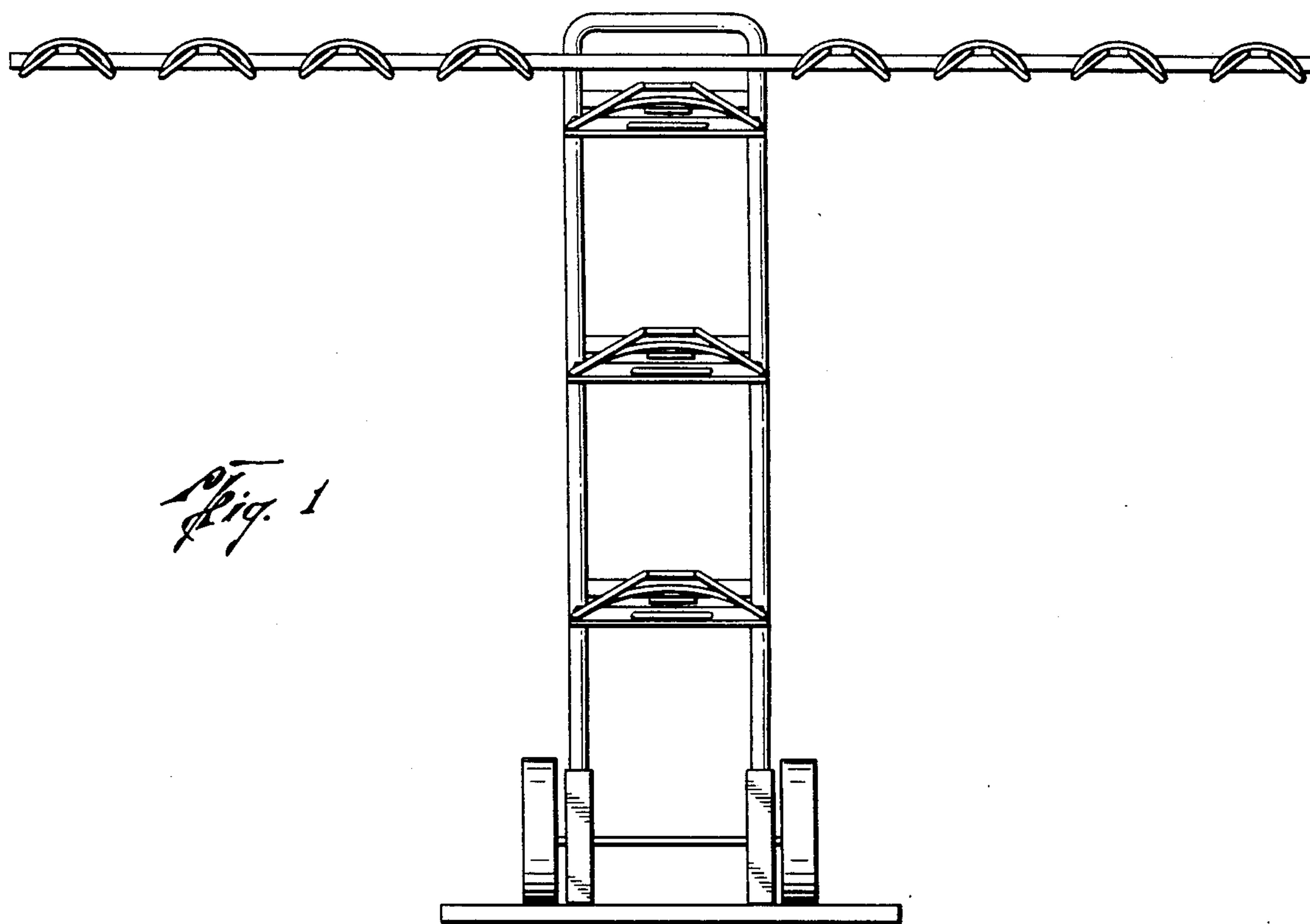
[57] **CLAIM**

The ornamental design for a combined saddle and tack rack, as shown and described.

DESCRIPTION

FIG. 1 is a front elevational view of a combined saddle and tack rack showing my new design;
FIG. 2 is a top plan view thereof;
FIG. 3 is a right side elevational view thereof, the left side being a mirror image of the side shown;
FIG. 4 is a rear elevational view thereof;
FIG. 5 is a front elevational view of a modified form of the combined saddle and tack rack shown in FIG. 1; and
FIG. 6 is a right side elevational view of FIG. 5, the left side being a mirror image of the side shown.





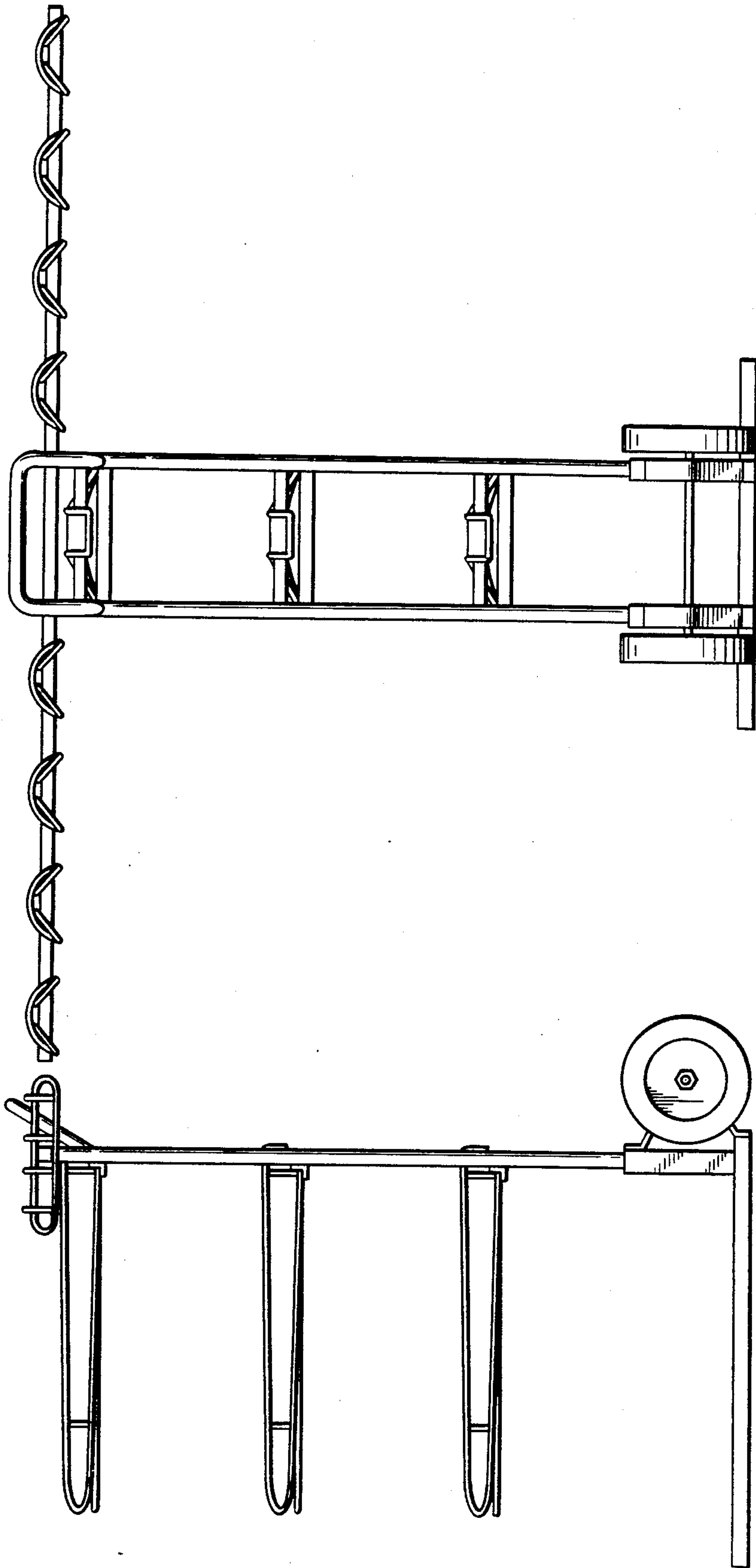


Fig. 4

Fig. 3

