

[54] UNDERWATER BREATHING REGULATOR

4,002,166 1/1977 Oliver 128/142.2
4,140,112 2/1979 Kobzan 128/142.2

[75] Inventor: Stanley Rasocha, Glenview, Ill.

Primary Examiner—Bernard Ansher
Attorney, Agent, or Firm—Edmond T. Patnaude

[73] Assignee: Dacor Corporation, Northfield, Ill.

[**] Term: 14 Years

[57] CLAIM

[21] Appl. No.: 867,594

The ornamental design for an underwater breathing regulator, as shown and described.

[22] Filed: Dec. 16, 1977

DESCRIPTION

[51] Int. Cl. D29—02

[52] U.S. Cl. D29/6

[58] Field of Search 128/142.2; 137/494;
D29/6

FIG. 1 is a top plan view of an underwater breathing regulator embodying my new design;
FIG. 2 is a side elevation of the device of FIG. 1 as seen from the bottom of FIG. 1;
FIG. 3 is a bottom plan view of the device of FIG. 1;
FIG. 4 is an end view of the device of FIG. 1 taken from the right-hand side as shown in FIG. 1;
FIG. 5 is a side elevation of the side of the device opposite the side shown in FIG. 2; and
FIG. 6 is an end view of the device of FIG. 1 as seen from the left-hand side of FIG. 1.

[56] References Cited

U.S. PATENT DOCUMENTS

D. 202,318	9/1965	Shugarman	D29/6
D. 202,319	9/1965	Shugarman	D29/6
D. 245,121	7/1977	Christianson	D29/6
3,978,854	9/1976	Mills, Jr.	128/142.2

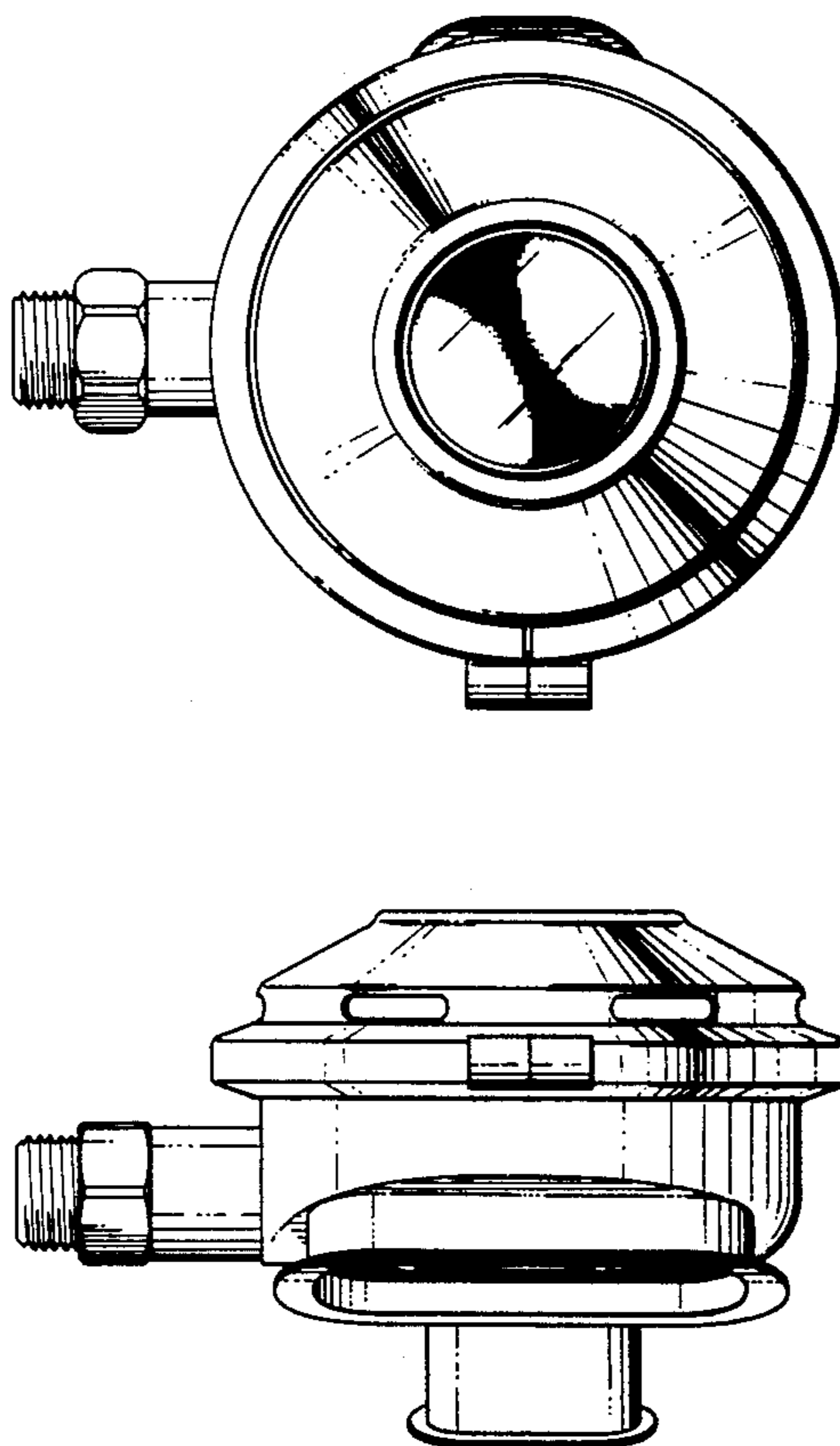


FIG. 1

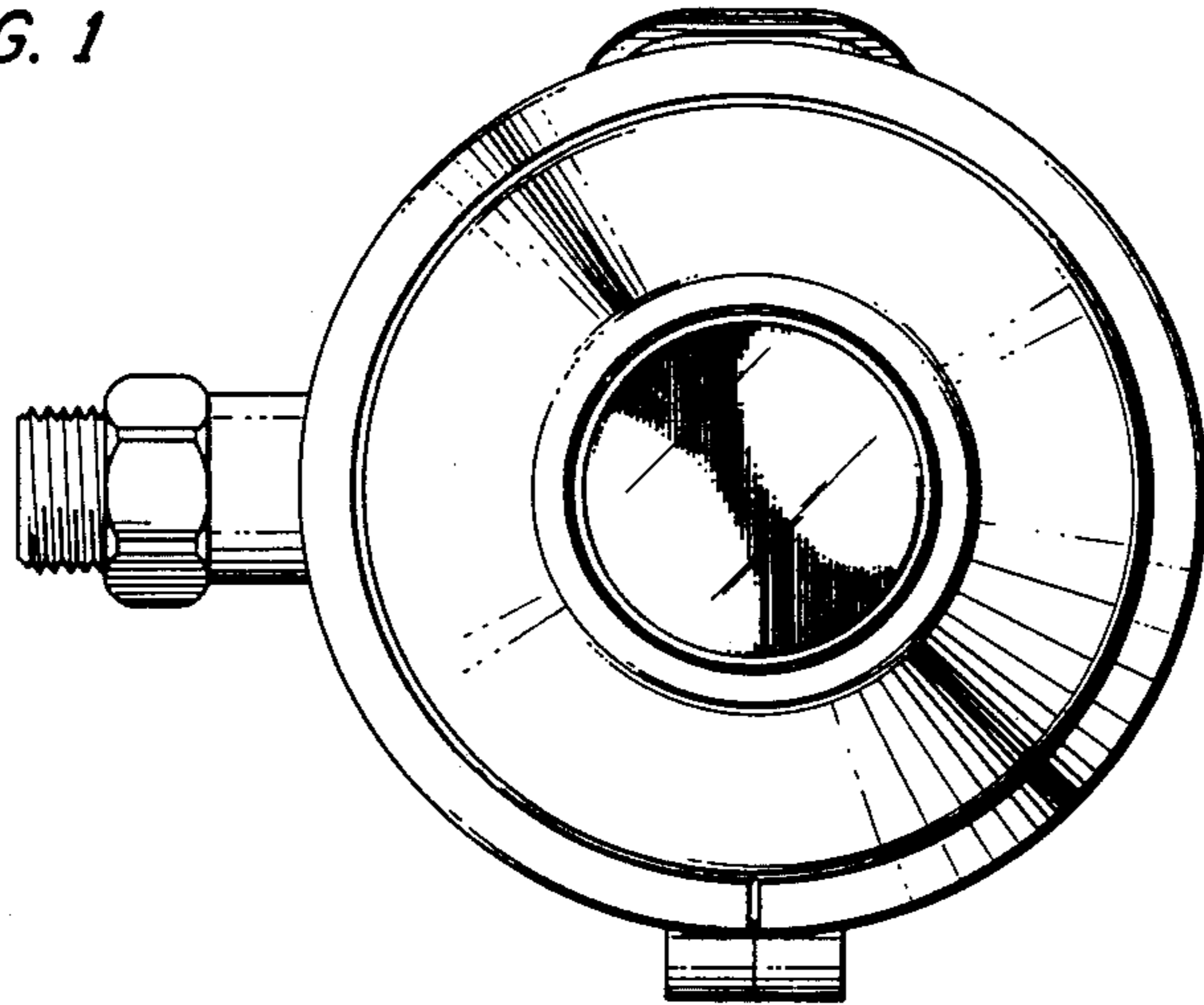


FIG. 2

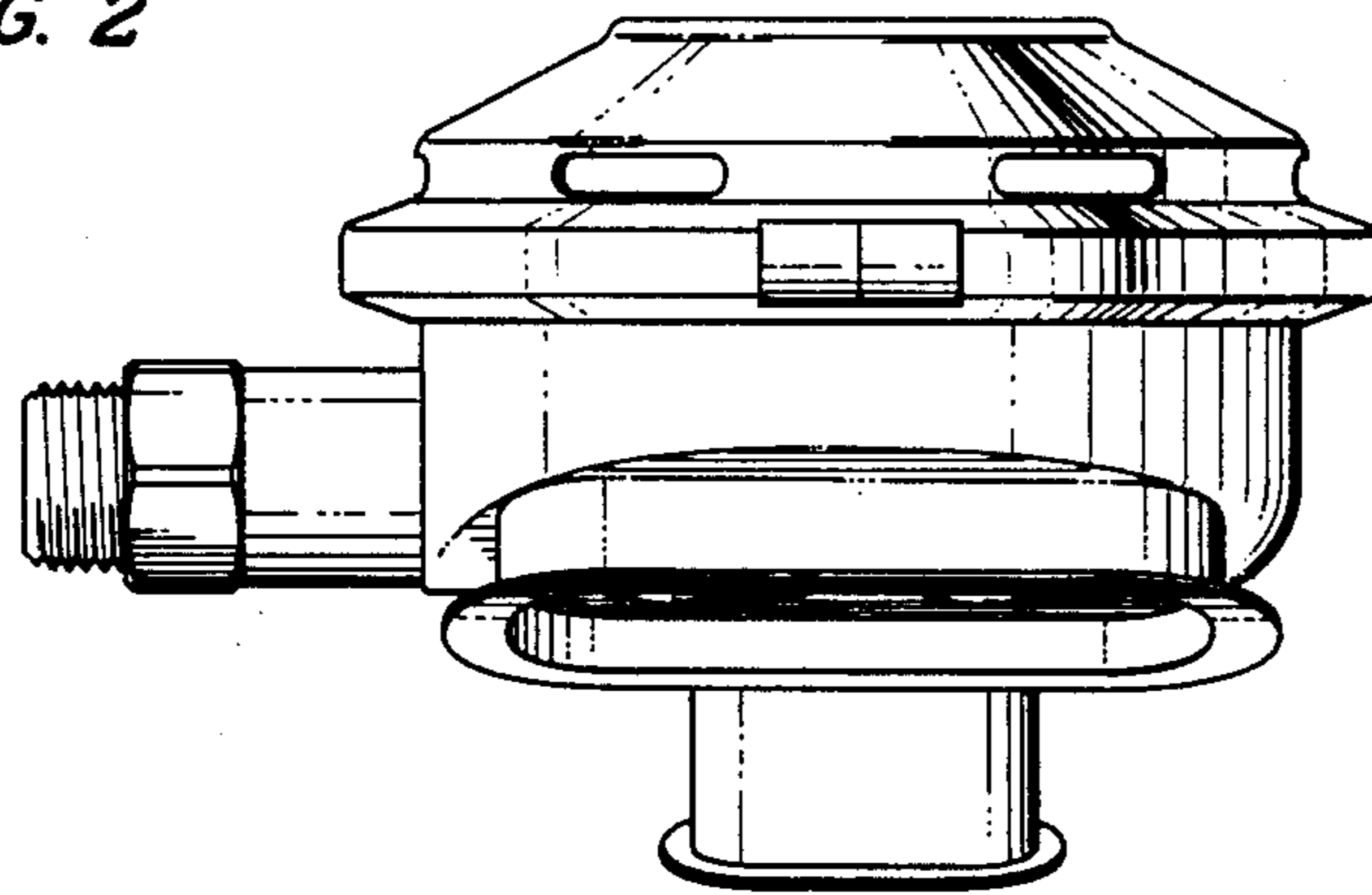


FIG. 3

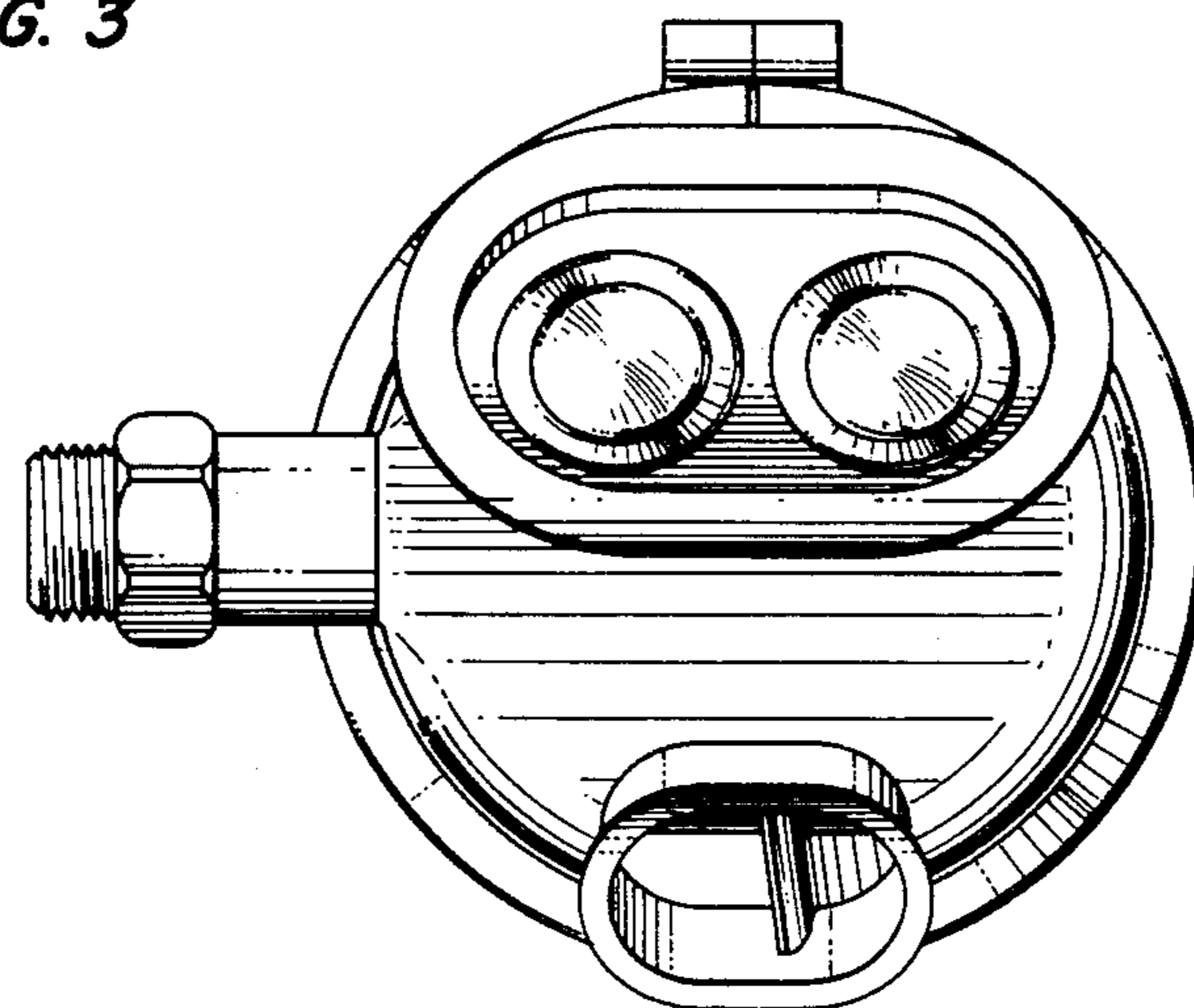


FIG. 4

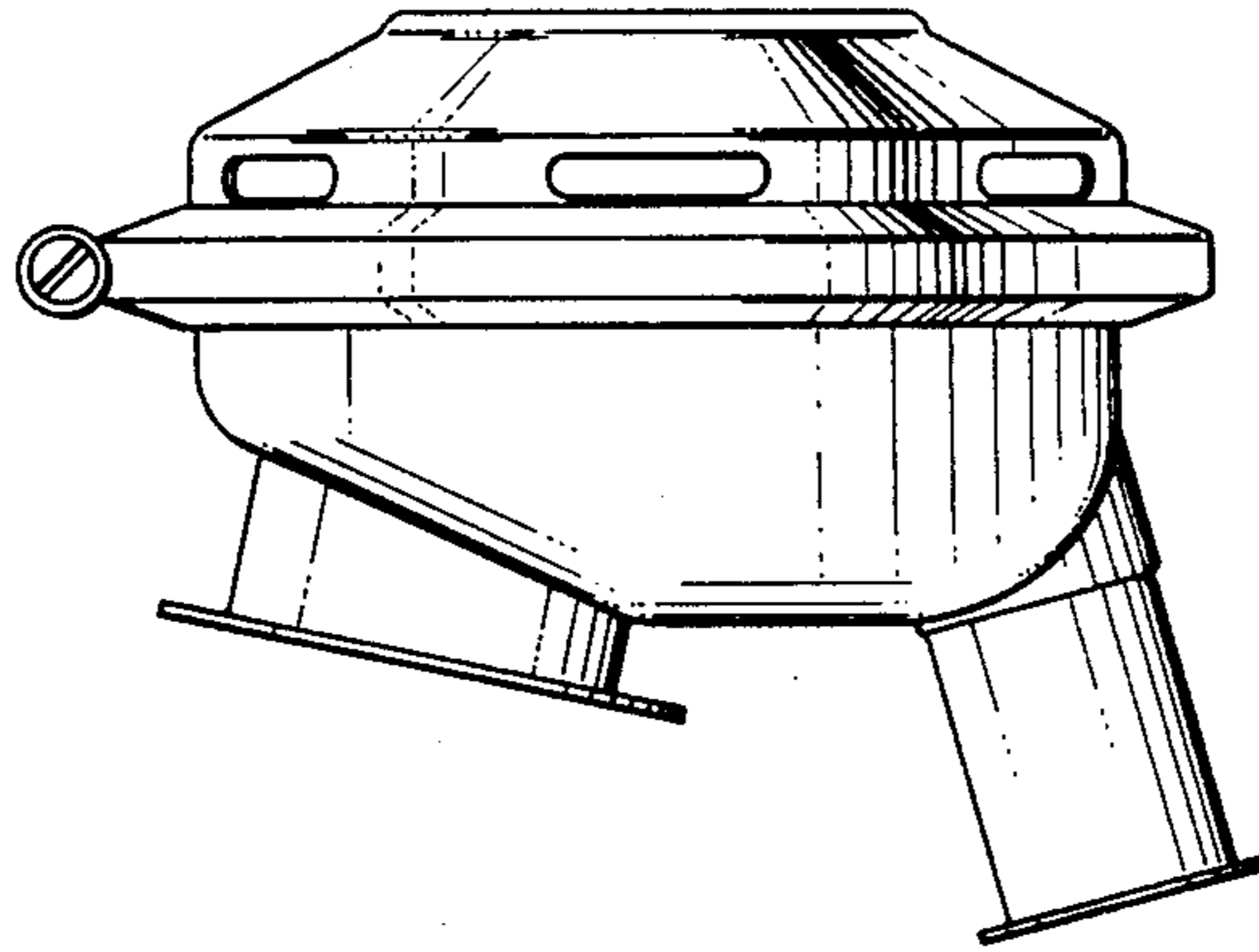


FIG. 5

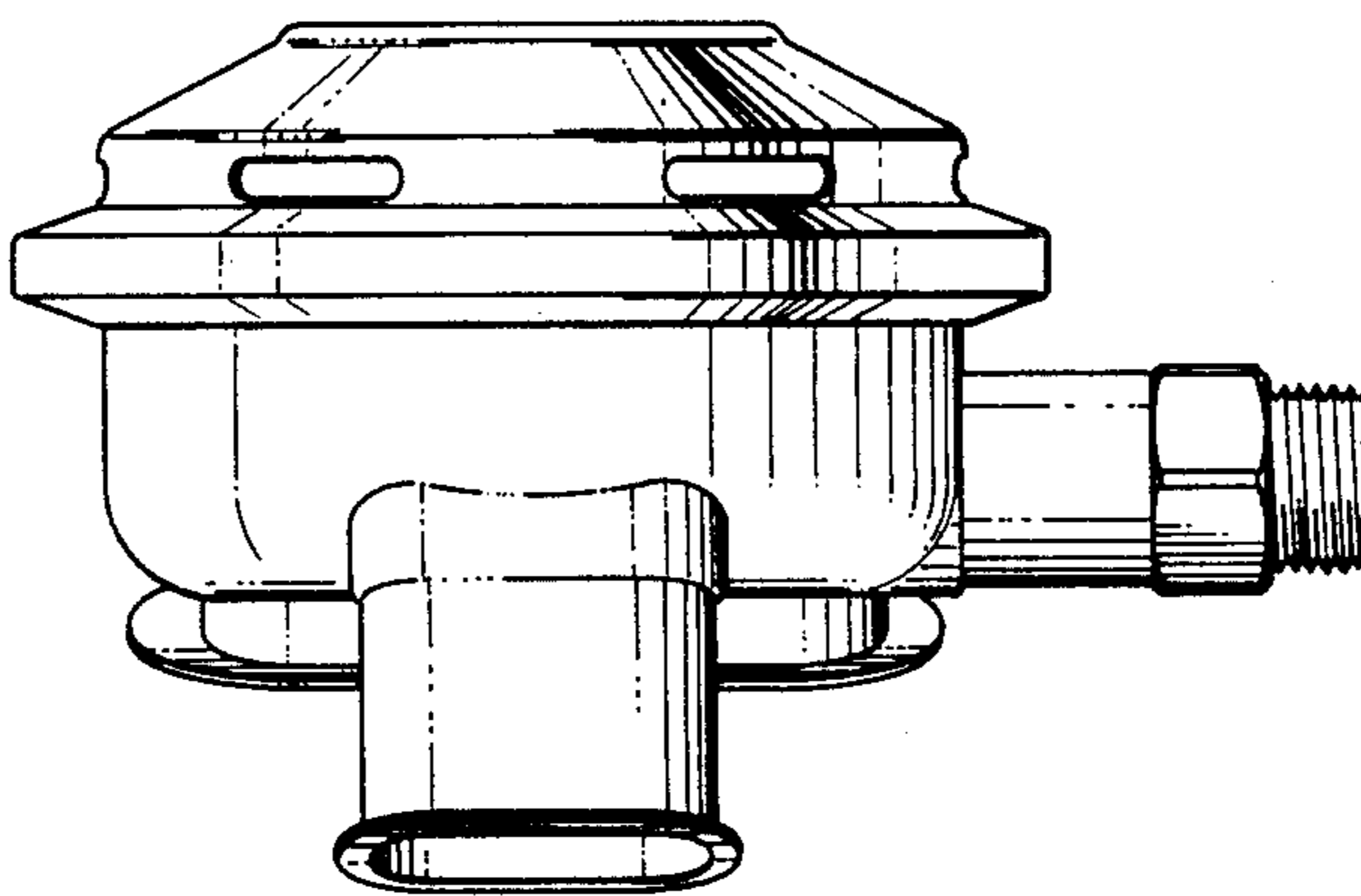


FIG. 6

