

[54] **EYE COSMETIC SHIELD**

[76] Inventor: **Alexandria Garcia**, 6922 Day, Dallas, Tex. 75227

[\*\*] Term: **14 Years**

[21] Appl. No.: **837,643**

[22] Filed: **Sep. 28, 1977**

[51] Int. Cl. .... **D28—03**

[52] U.S. Cl. .... **D28/9; D28/7; D28/36**

[58] Field of Search ..... **D28/7, 9, 36, 64, 99; D29/7, 8; D2/234; 2/9, 11, 15, 174, 445; 132/1 R, 7, 9, 88.5, 88.7; D22/4**

3,935,872 2/1976 Aylott ..... 132/88.7

3,963,034 6/1976 Runberg et al. .... 2/9 X

4,033,364 7/1977 Inzana et al. .... 132/88.5

*Primary Examiner*—Louis S. Zarfaz  
*Attorney, Agent, or Firm*—Hubbard, Thurman, Turner, Tucker & Glaser

[57] **CLAIM**

The ornamental design for an eye cosmetic shield, as shown and described.

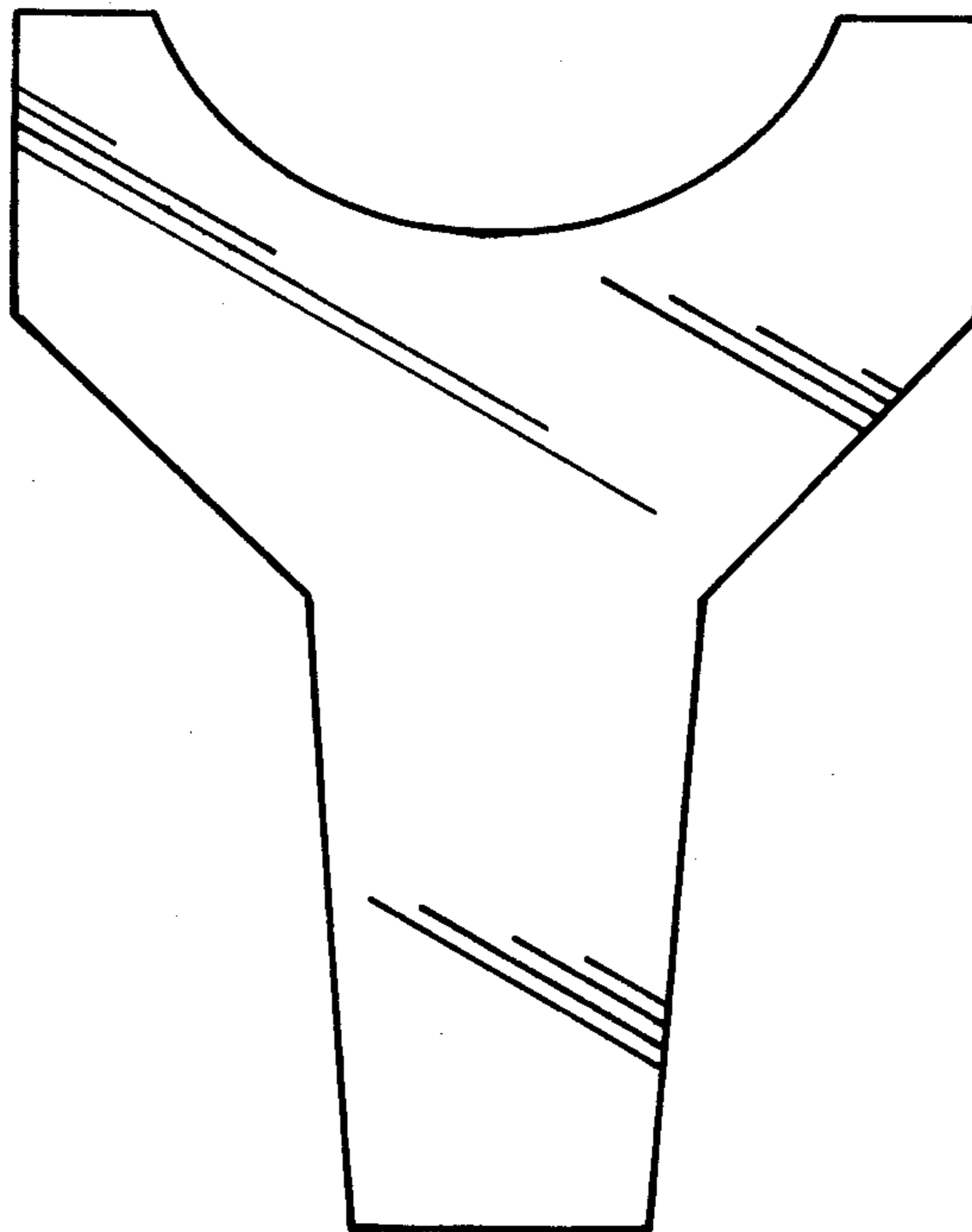
**DESCRIPTION**

FIG. 1 is a front elevational view of an eye cosmetic shield showing my new design;  
 FIG. 2 is a rear elevational view thereof;  
 FIG. 3 is a top edge view thereof;  
 FIG. 4 is a bottom edge view thereof;  
 FIG. 5 is a left edge view thereof; and  
 FIG. 6 is a right edge view thereof.

[56] **References Cited**

**U.S. PATENT DOCUMENTS**

D. 227,896 7/1973 Chodorow ..... D28/64



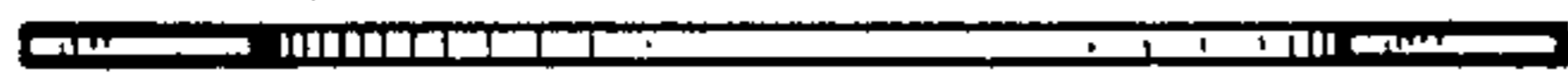
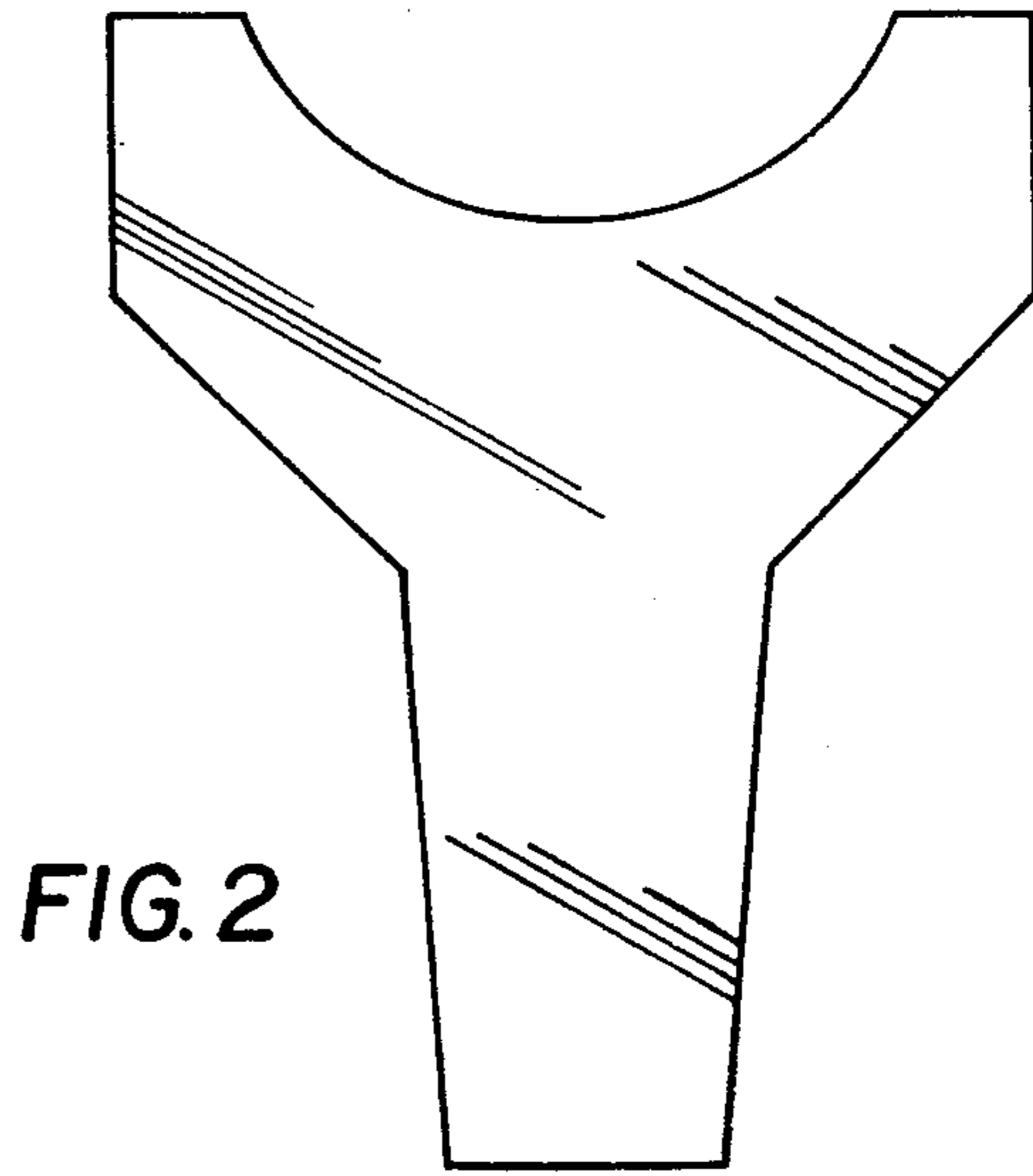
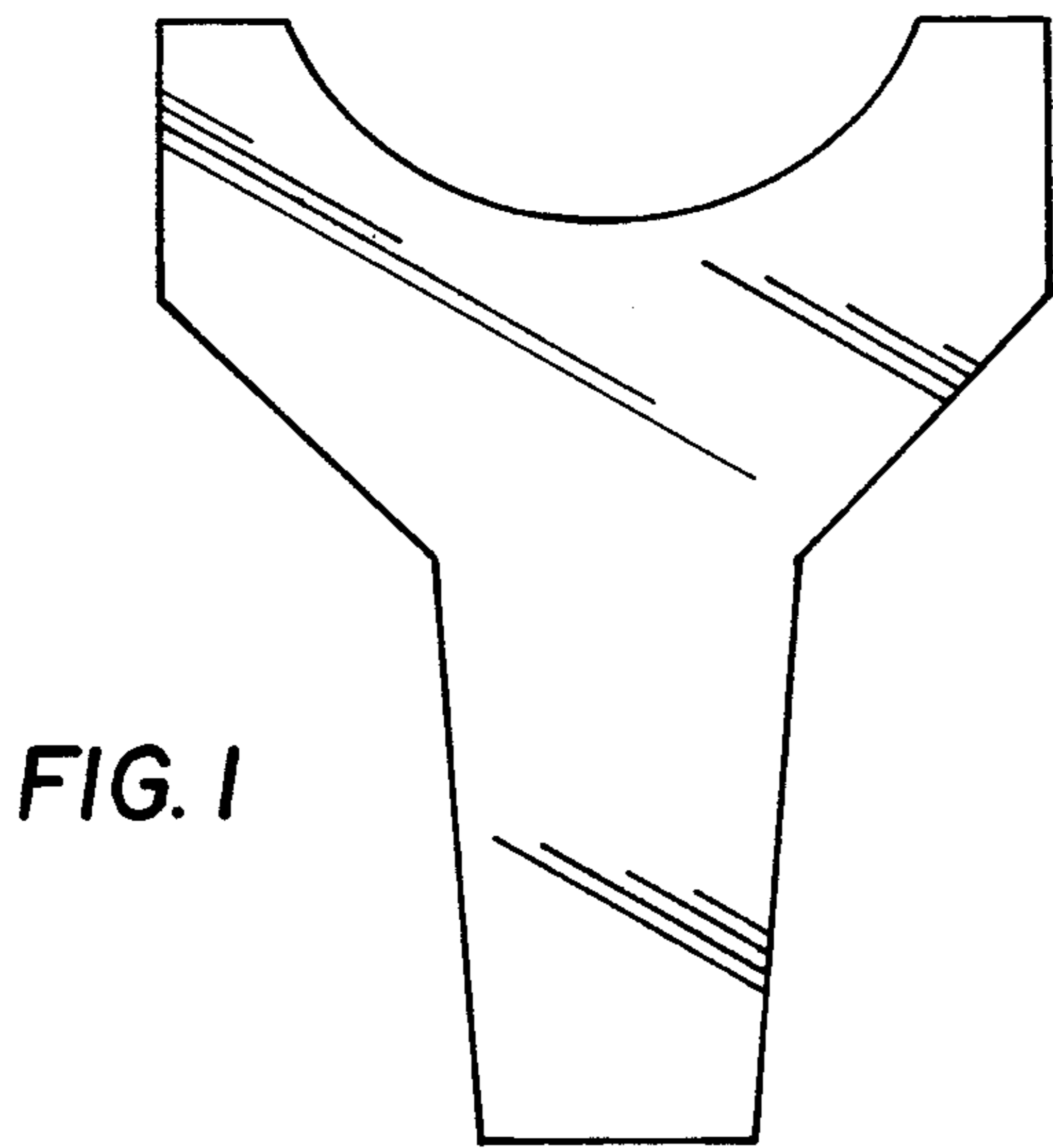


FIG. 3



FIG. 4

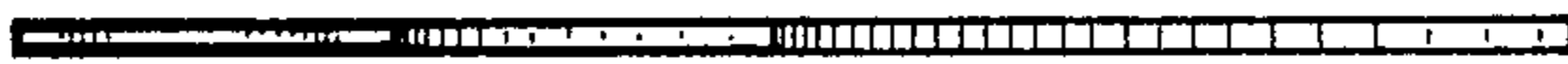


FIG. 5



FIG. 6