

[54] COMBINED BATH AND SHOWER UNIT

[76] Inventor: Brian Chapman, Sunnyside House, Cryfield Grange Rd., Coventry, England

[**] Term: 14 Years

[21] Appl. No.: 868,333

[22] Filed: Jan. 10, 1978

[30] Foreign Application Priority Data

Jul. 13, 1977 [GB] United Kingdom 980756/77

[51] Int. Cl. D23-02

[52] U.S. Cl. D23/49

[58] Field of Search D23/48-50, D23/55-57, 69; 4/2, 4, 5, 145, 146, 148, 149, 161, 162, 173, 175, 178, 180, 185 R

[56] References Cited

U.S. PATENT DOCUMENTS

D. 237,183 10/1975 Bonsack D23/55
D. 247,444 3/1978 Bonsack D23/49

D. 250,961 1/1979 Bonsack D23/49
D. 250,962 1/1979 Bonsack D23/49
1,824,035 9/1931 Cromwell 4/173 X

FOREIGN PATENT DOCUMENTS

1266180 5/1961 France 4/148
635507 3/1961 Italy 4/148

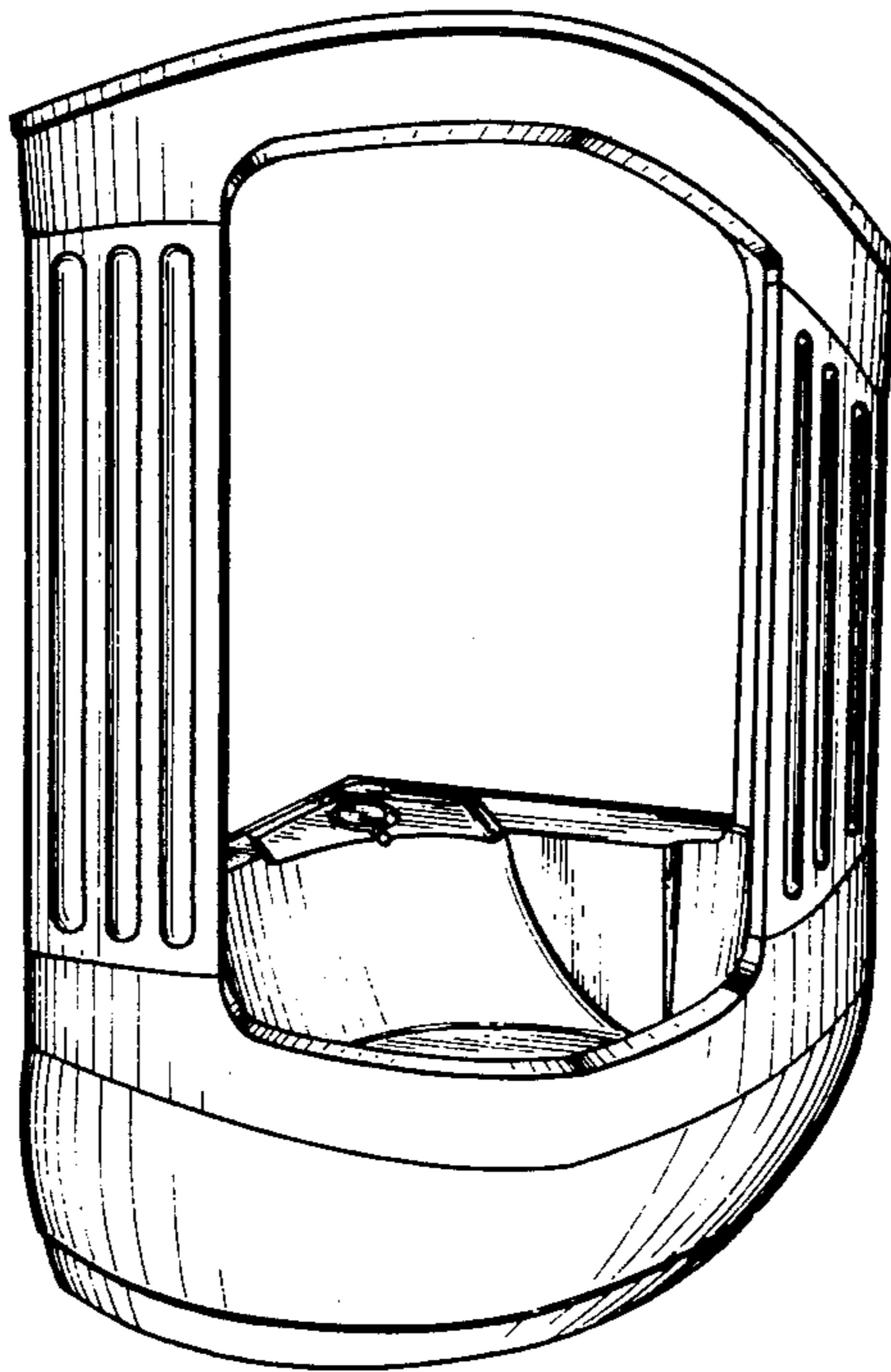
Primary Examiner—James R. Largen
Attorney, Agent, or Firm—Scrivener, Parker, Scrivener and Clarke

[57] CLAIM

The ornamental design for a combined bath and shower unit, as shown and described.

DESCRIPTION

FIG. 1 is a front perspective view of a combined bath and shower unit showing my new design;
FIG. 2 is a top plan view thereof;
FIG. 3 is a cross sectional view taken on line 3—3 of FIG. 2; and
FIG. 4 is a cross sectional view taken on line 4—4 of FIG. 2.



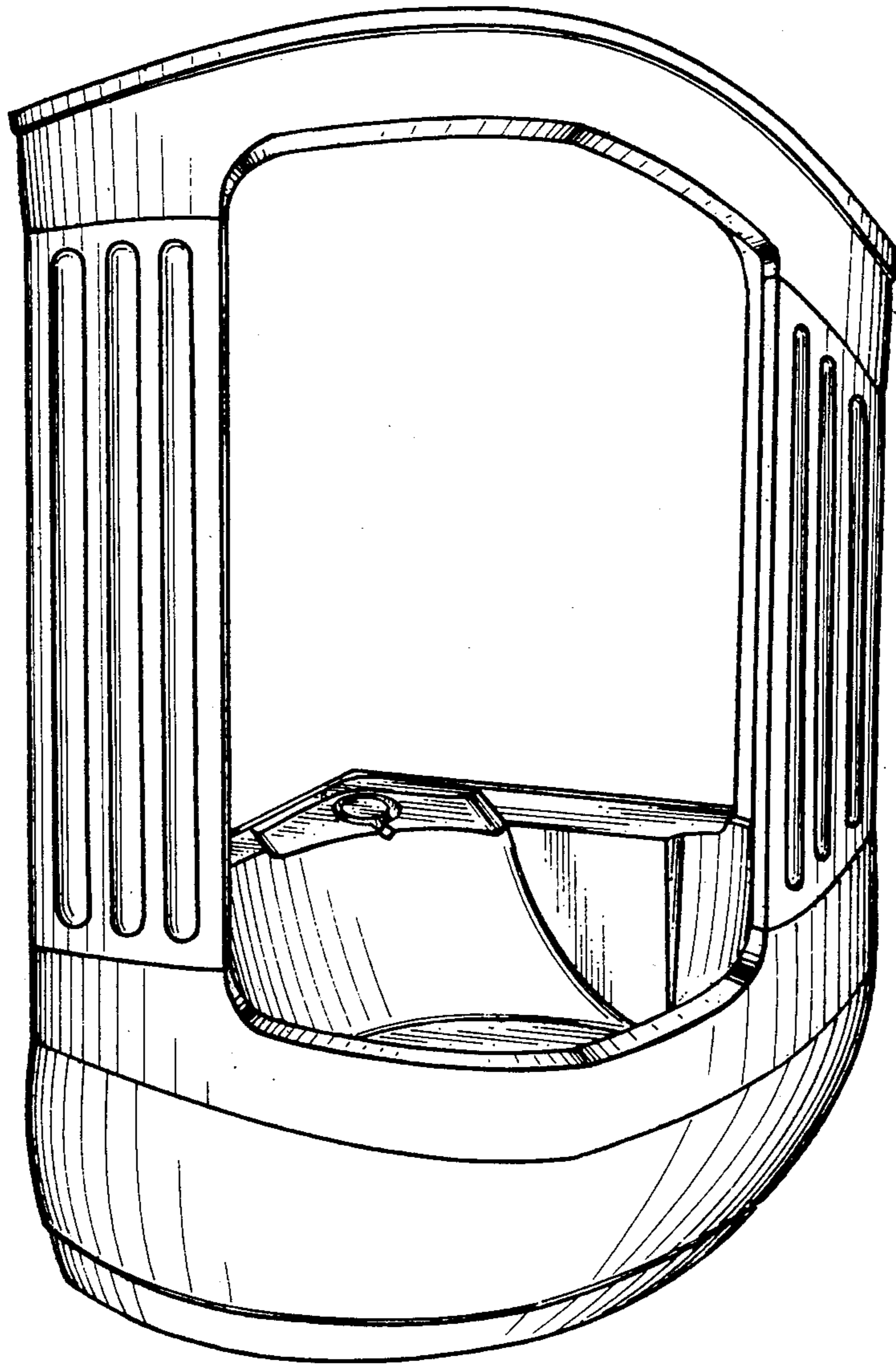


FIG.1.

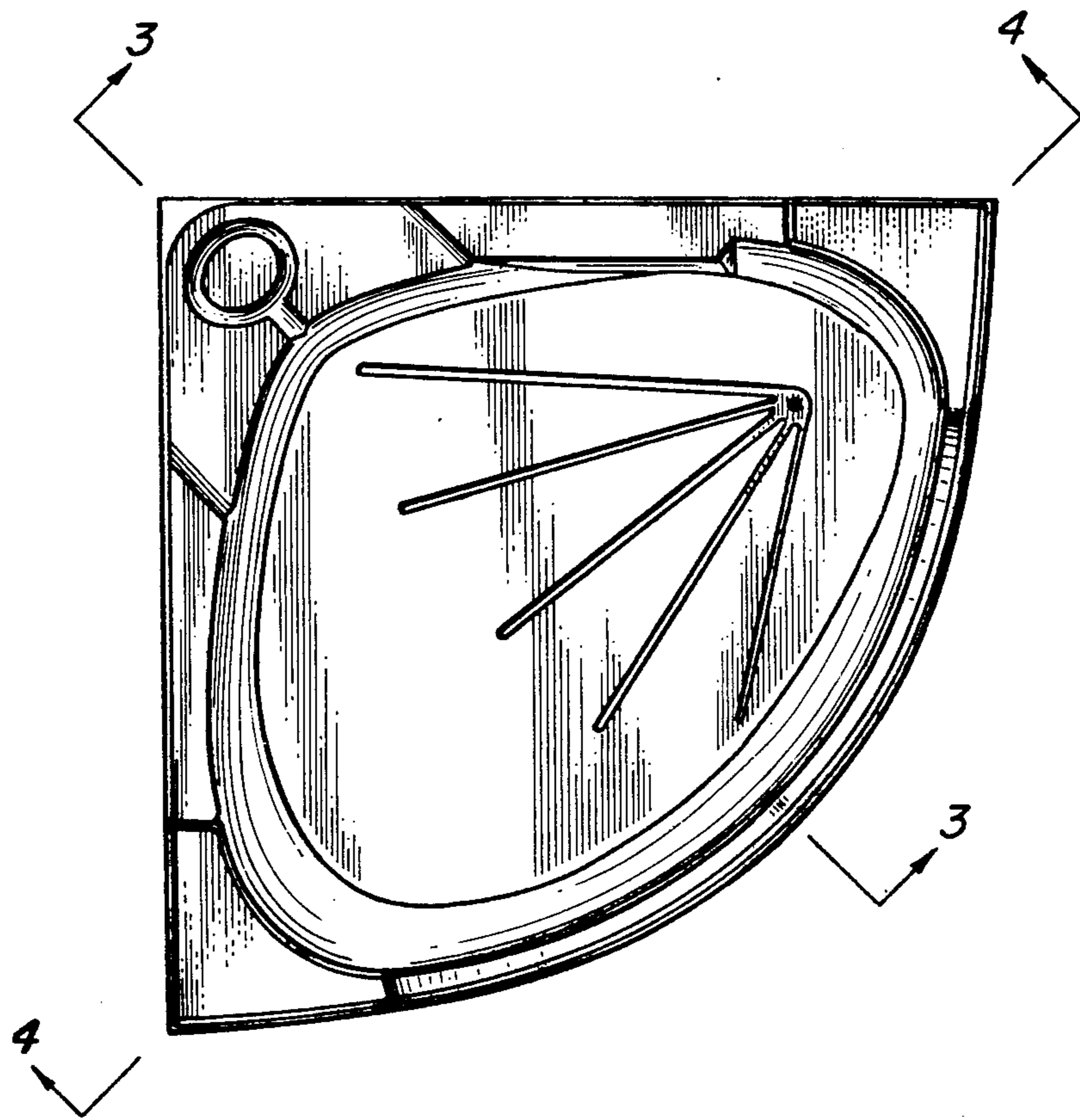


FIG. 2.

FIG. 3.

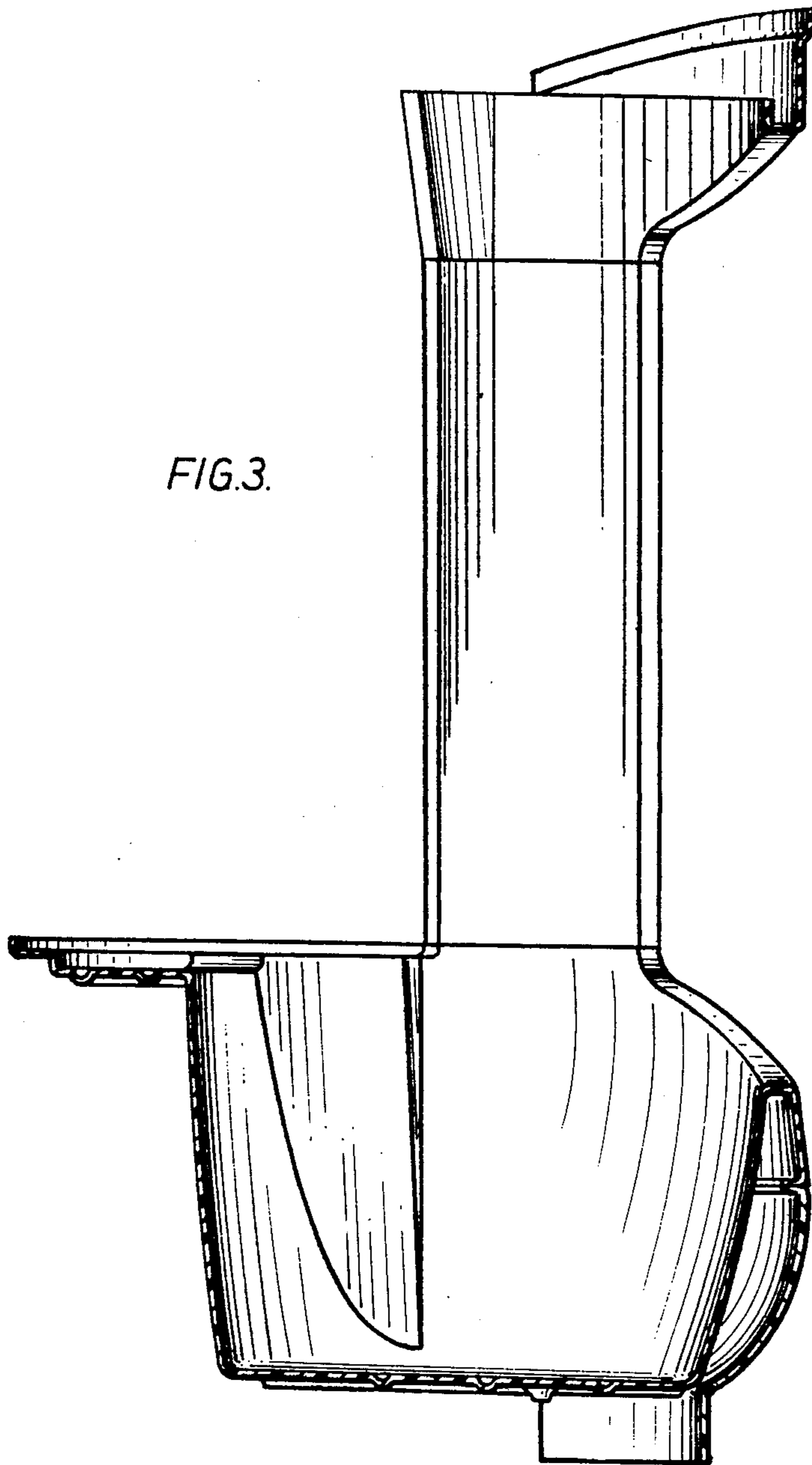


FIG. 4.

