

[54] VACUUM BREAKING TEE
 [76] Inventor: Robert L. Johnson, 590 - 1st Ave.
 South, Seattle, Wash. 98104
 [**] Term: 14 Years
 [21] Appl. No.: 30,536
 [22] Filed: Apr. 16, 1979

774,914	11/1904	Garvin	4/211
1,201,081	10/1916	Nilson	4/211
2,691,986	10/1954	Kirby	137/216 X
3,086,543	4/1963	McAuley	137/216
3,346,887	10/1967	Sommer	4/211
3,533,111	10/1970	Bowman et al.	4/211
3,894,302	7/1975	Lasater	4/211
3,968,815	7/1976	Legg nee Jouve et al.	4/211 X

Primary Examiner—James R. Largen
 Attorney, Agent, or Firm—T. W. Secrest

Related U.S. Application Data

[63] Continuation-in-part of Ser. No. 798,905, May 20, 1977.

[51] Int. Cl. D23—01
 [52] U.S. Cl. D23/40
 [58] Field of Search D23/40—47;
 4/211; 137/216

References Cited

U.S. PATENT DOCUMENTS

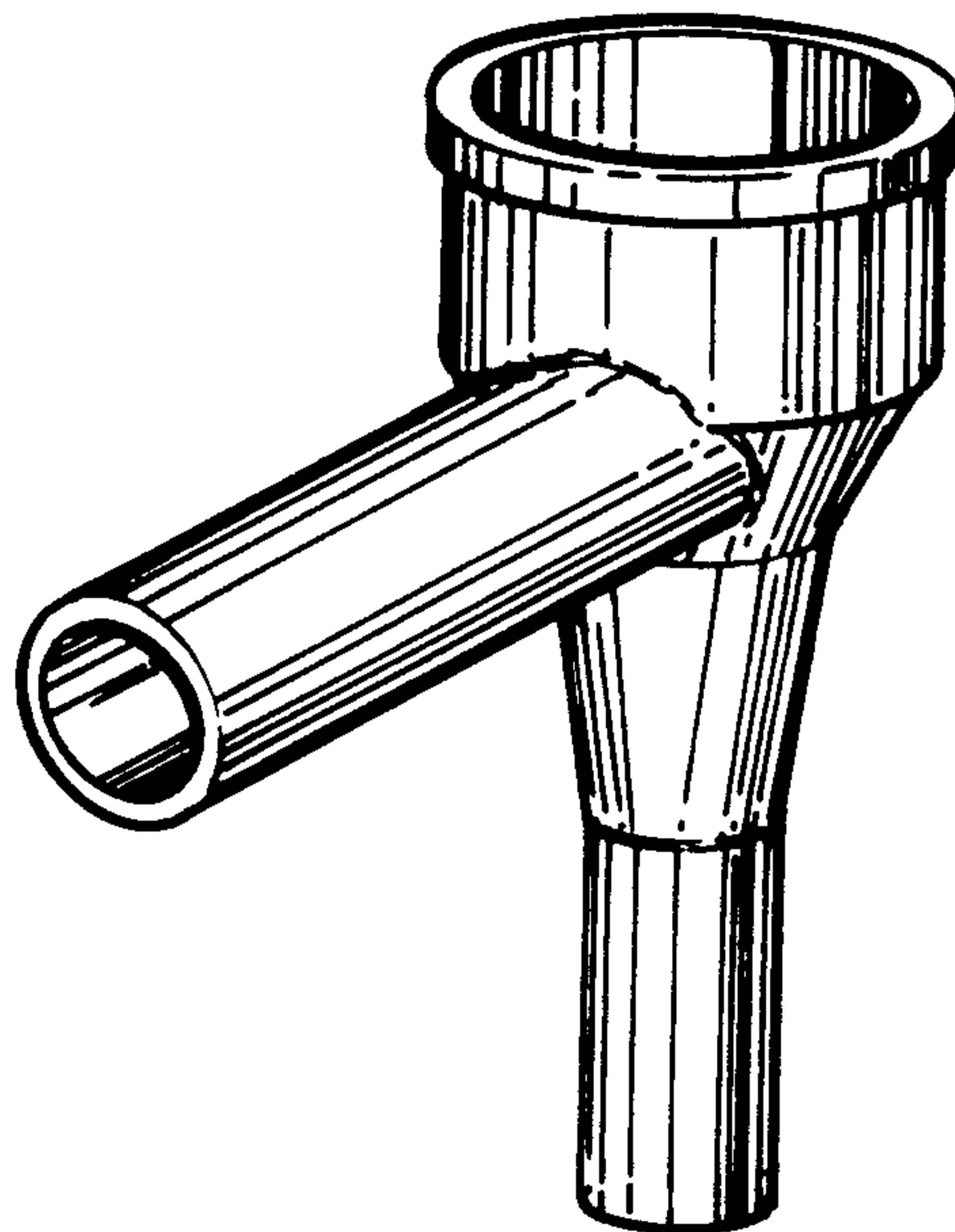
D. 187,686 4/1960 Cornelious D23/40
 D. 240,131 6/1976 Dwyer D23/40

[57] CLAIM

The ornamental design for a vacuum breaking tee, as shown.

DESCRIPTION

FIG. 1 is a top plan view of a vacuum breaking tee showing my new design;
 FIG. 2 is a front elevational view thereof;
 FIG. 3 is a right side elevational view thereof;
 FIG. 4 is a bottom plan view thereof;
 FIG. 5 is a perspective view thereof; and,
 FIG. 6 is a cross-sectional view taken on line 6—6 of FIG. 1.



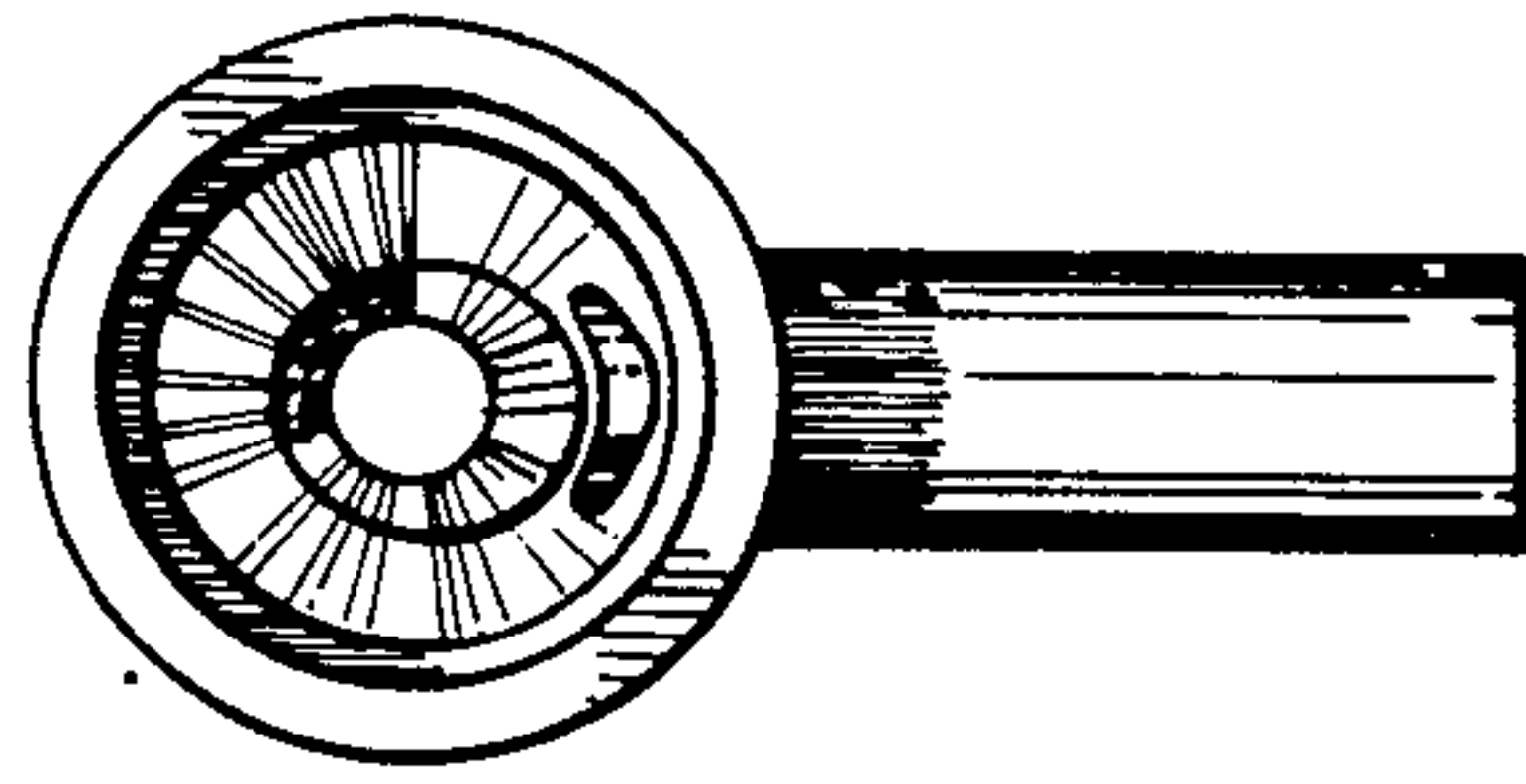


Fig. 1

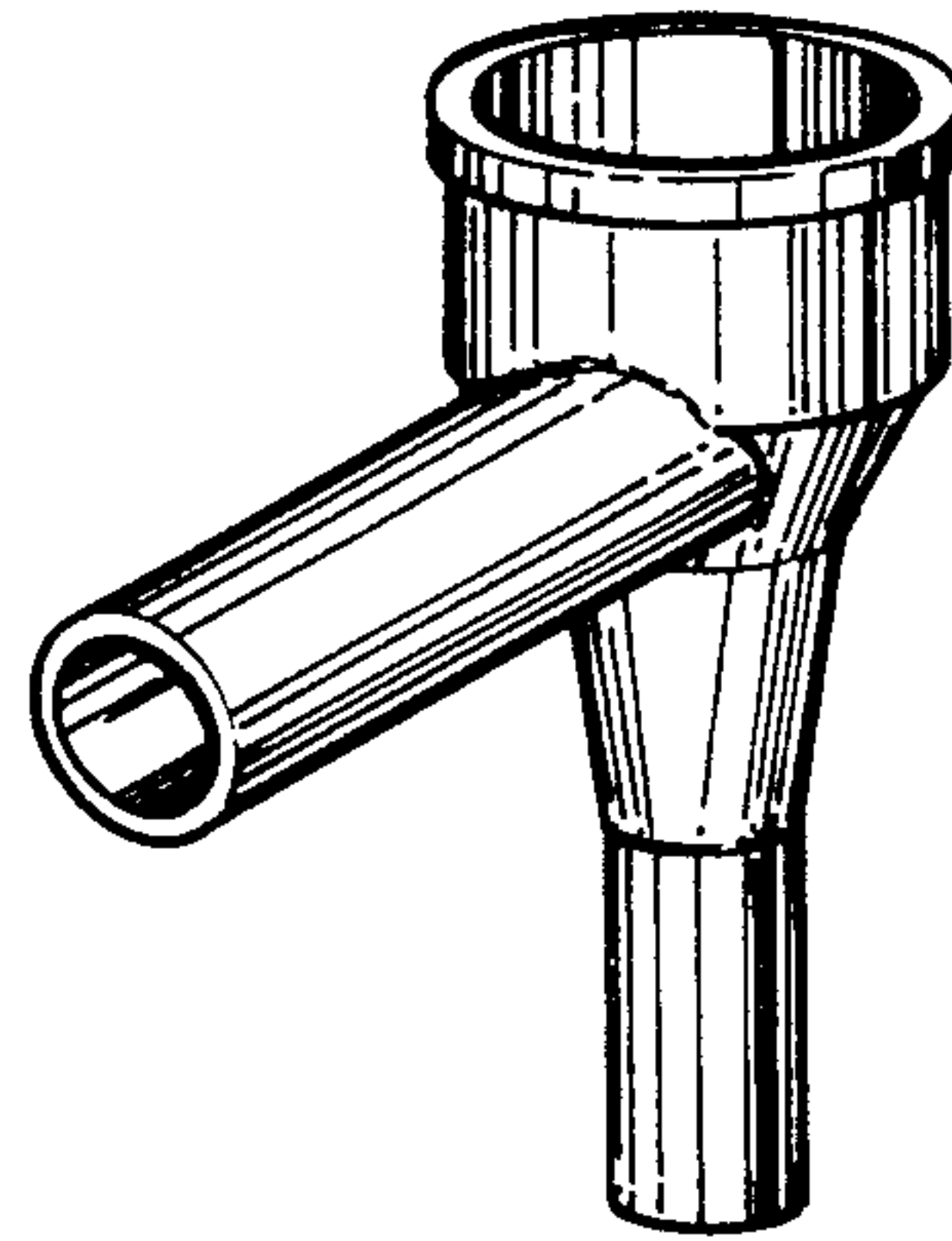


Fig. 5

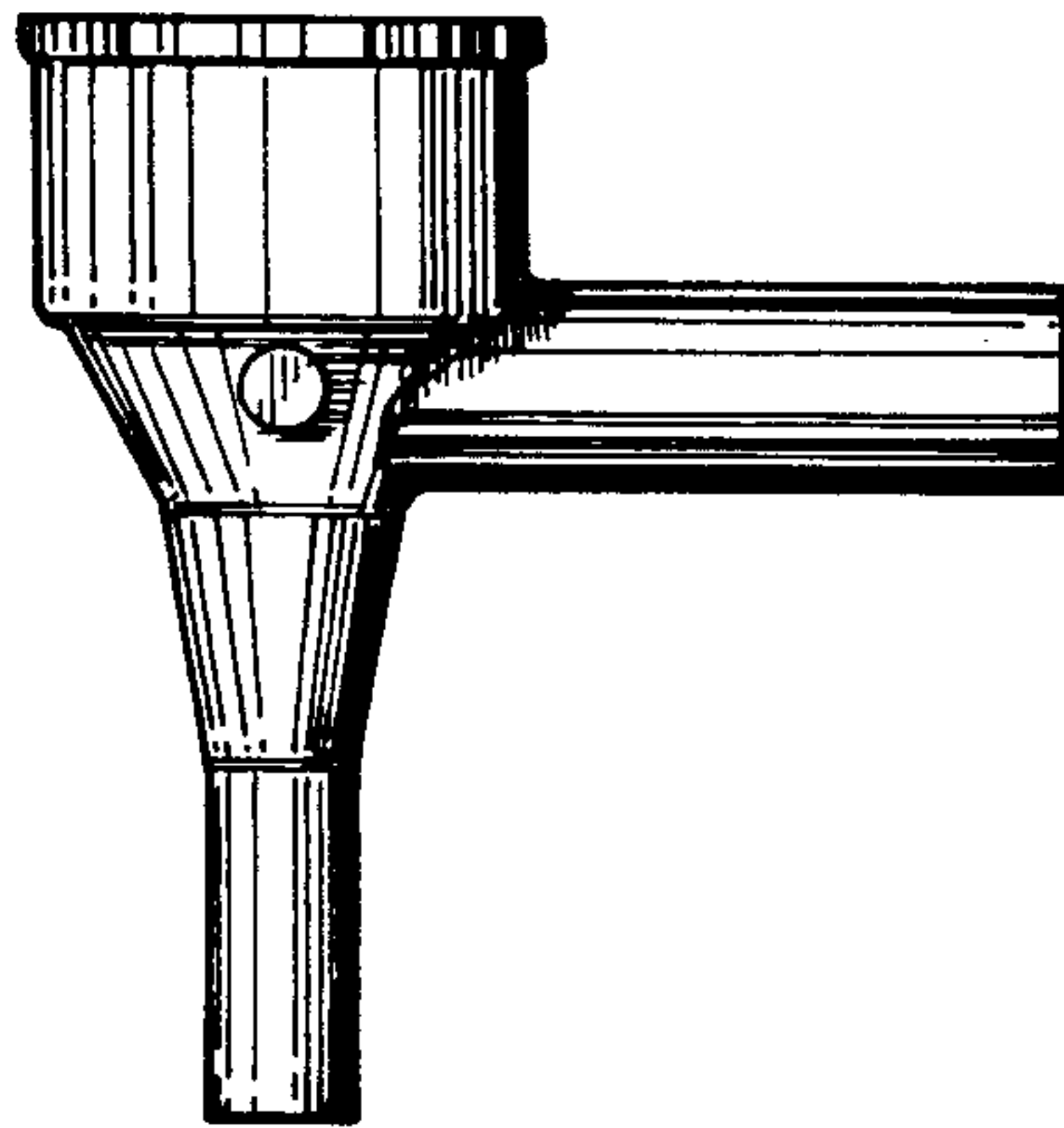


Fig. 2

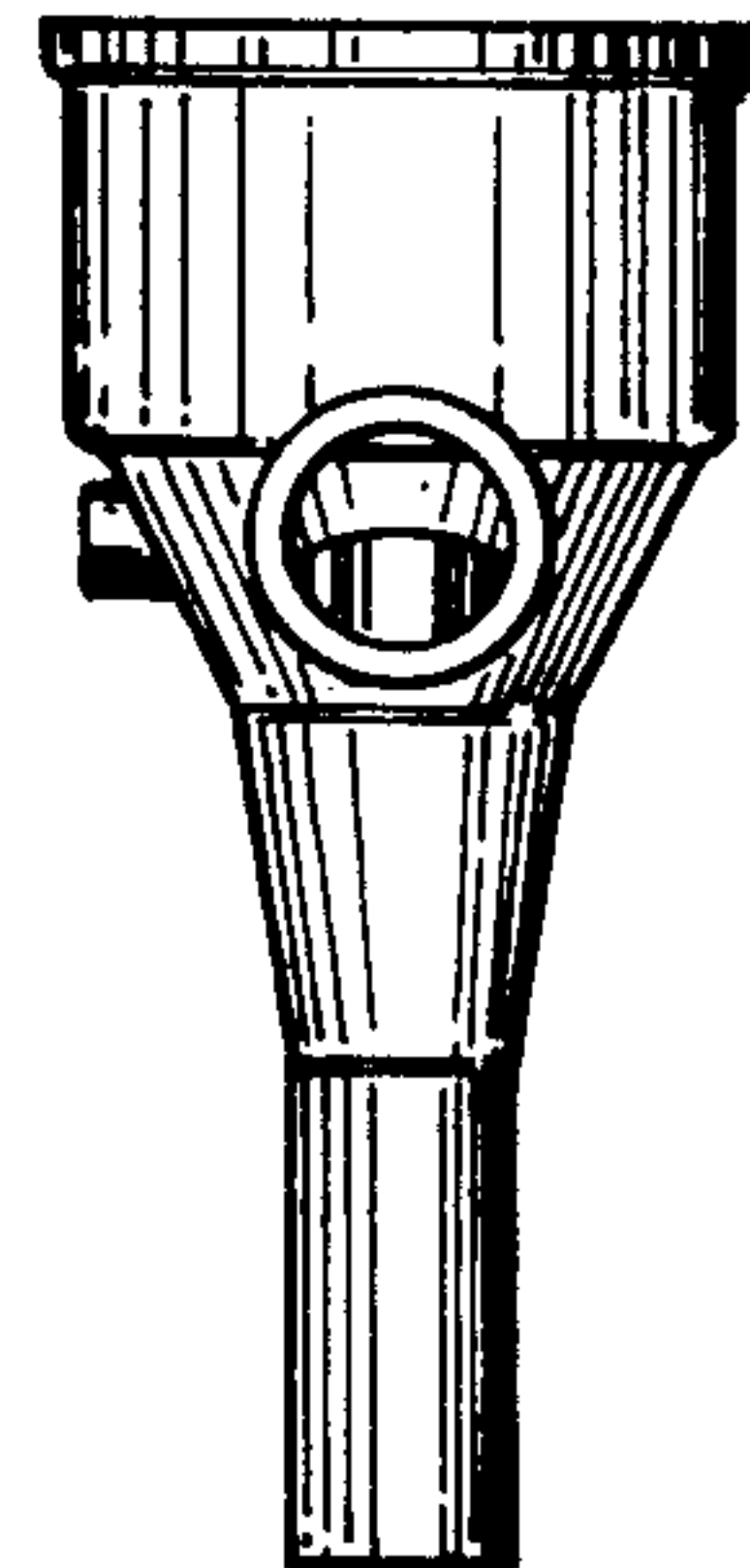


Fig. 3

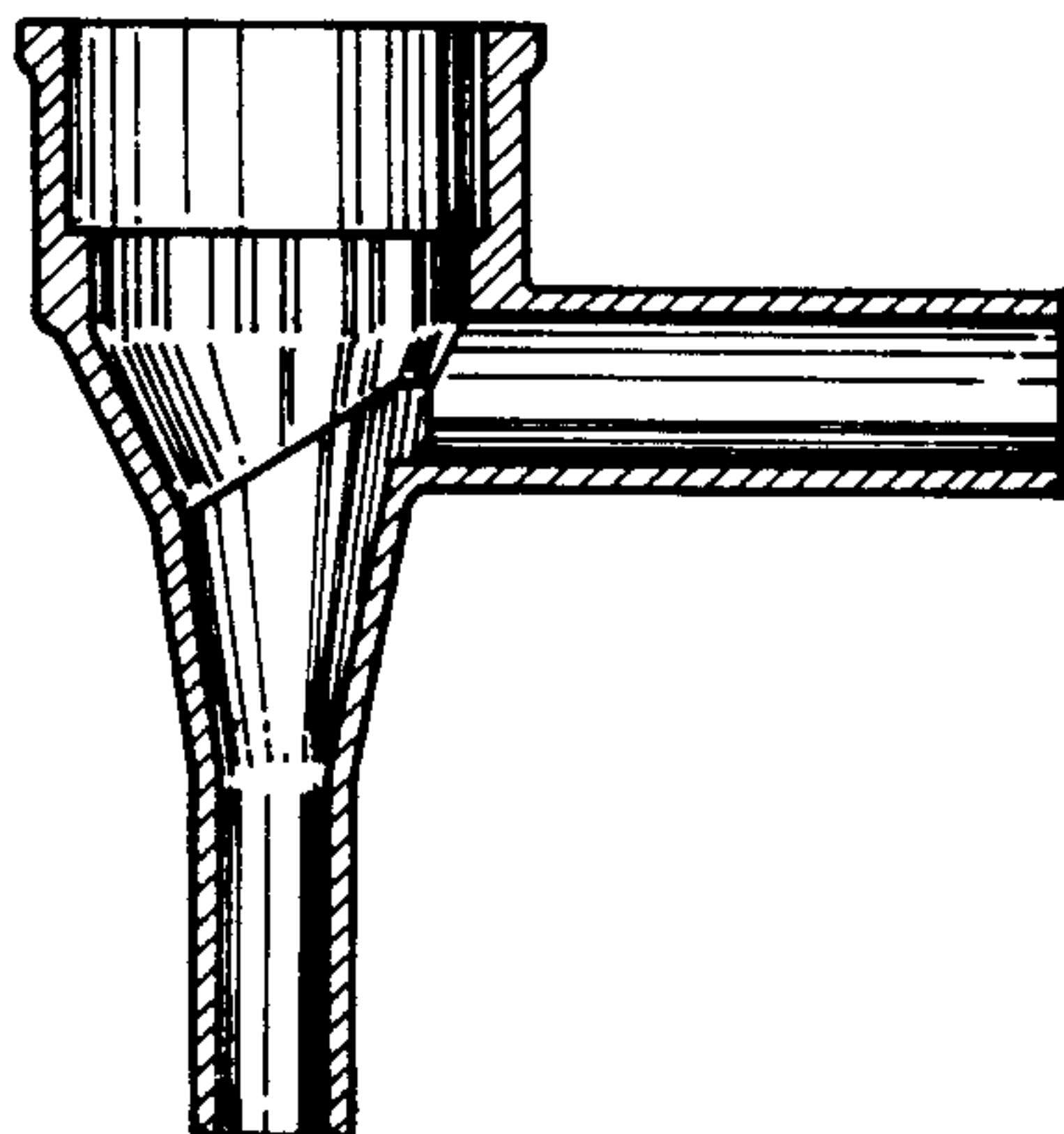


Fig. 6

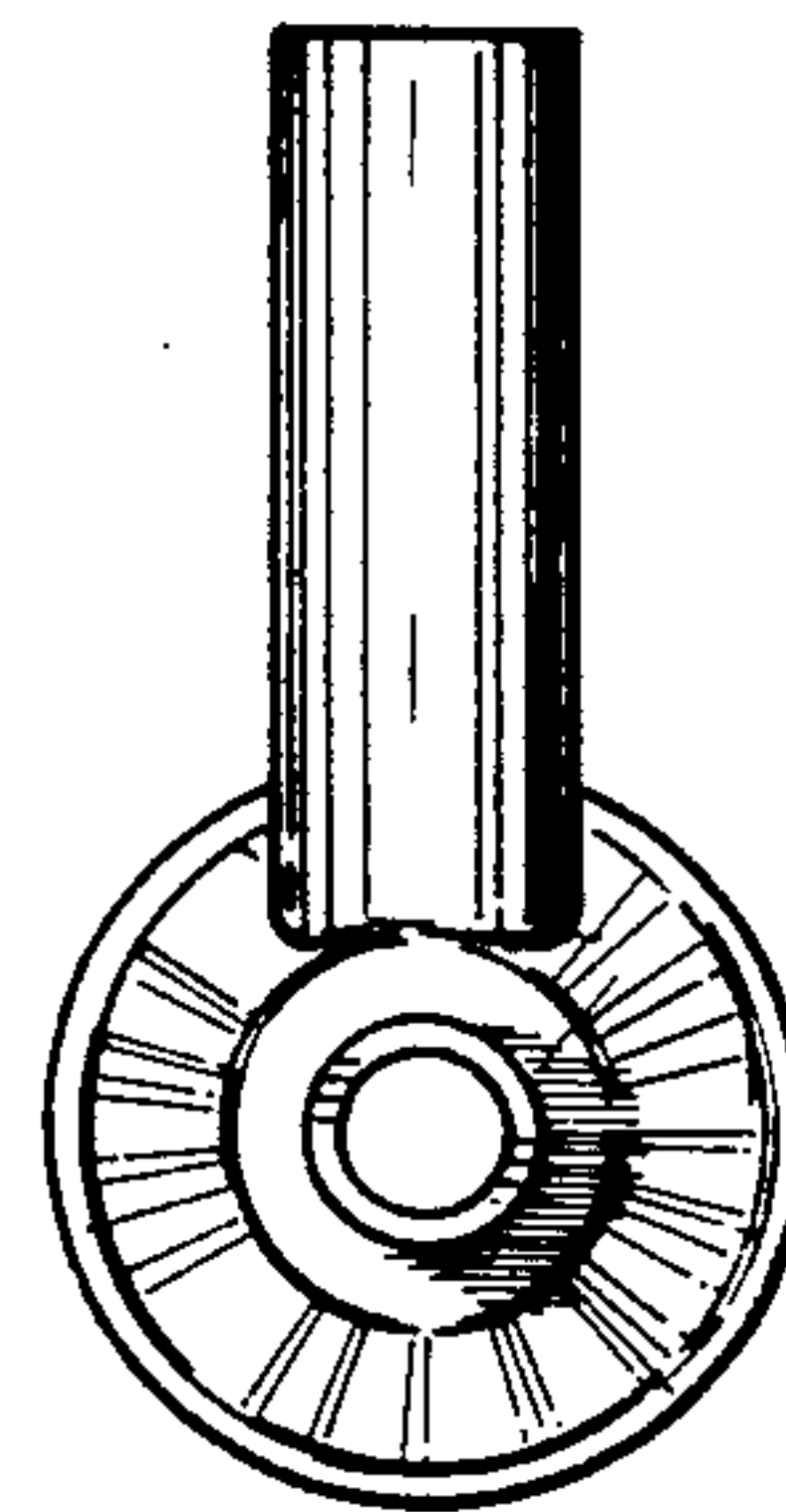


Fig. 4