

[54] SIMULATIVE TOY TOP

3,114,986 12/1963 Blonski D21/98

[76] Inventor: Ray W. Johnson, 2726 Mason Ter.,
Wichita, Kans. 67216

[**] Term: 14 Years

[21] Appl. No.: 884,602

[22] Filed: Mar. 8, 1978

[51] Int. Cl. D21-01

[52] U.S. Cl. D21/98

[58] Field of Search D21/82, 92, 95, 96,
D21/97, 98, 99; 46/47, 51, 60, 64-72; D1/99,
26

[56] References Cited

U.S. PATENT DOCUMENTS

D. 187,662	4/1960	Ives	D21/99
D. 246,614	12/1977	Johnson	D21/96
2,605,584	8/1952	Perker et al.	D21/99

OTHER PUBLICATIONS

Vend, 1-1973, p. 91, Rudy Farm Sandwich at top of page.

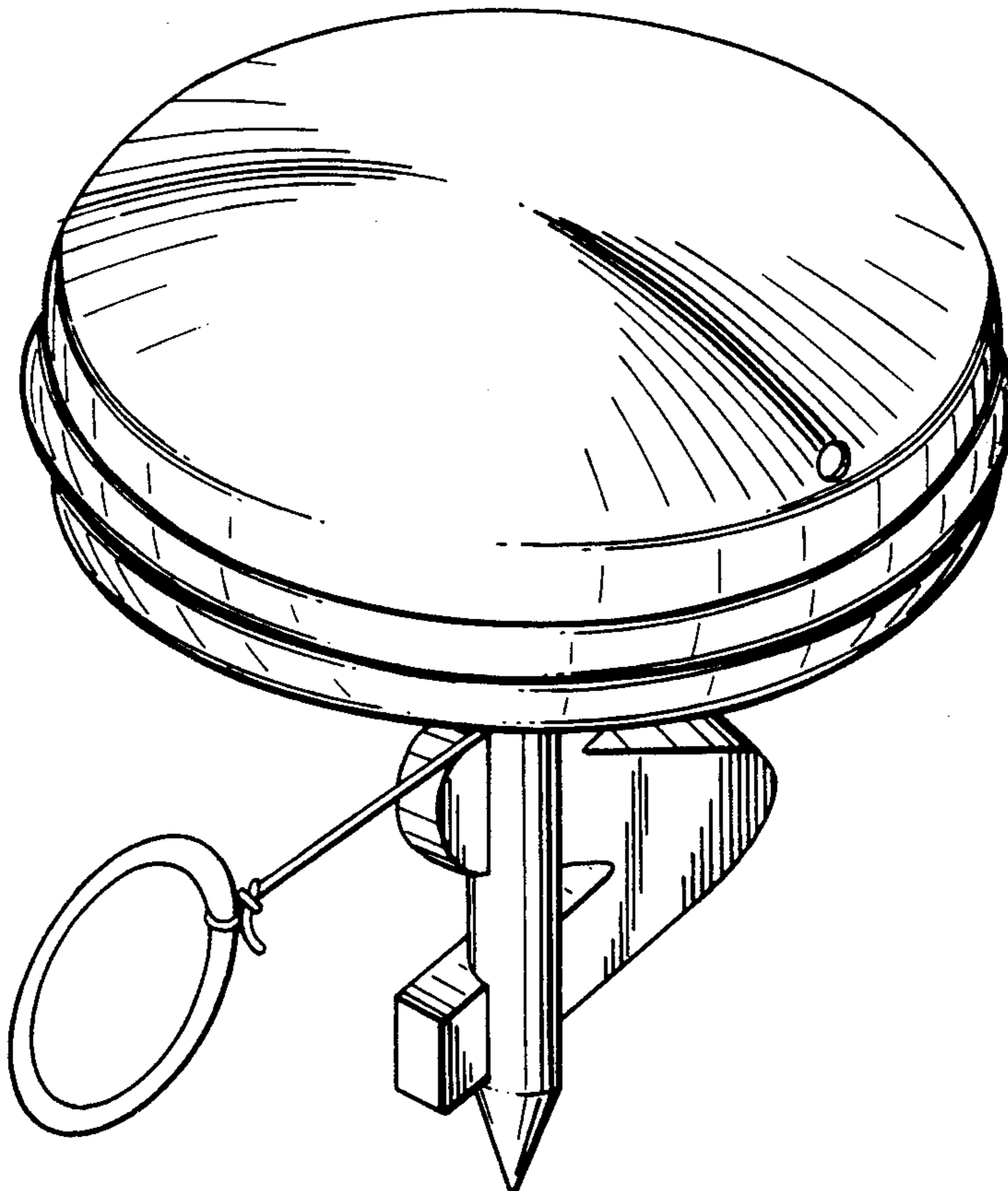
Primary Examiner—Charles A. Rademaker
Attorney, Agent, or Firm—George B. White

[57] CLAIM

The ornamental design for simulative toy top, as shown and described.

DESCRIPTION

FIG. 1 is a front perspective view of a simulative toy top showing my new design;
FIG. 2 is a side elevational view of FIG. 1;
FIG. 3 is a side elevational view thereof rotated ninety degrees;
FIG. 4 is a bottom plan view of FIG. 2; and,
FIG. 5 is a fragmentary view of the side opposite that shown in FIG. 2.



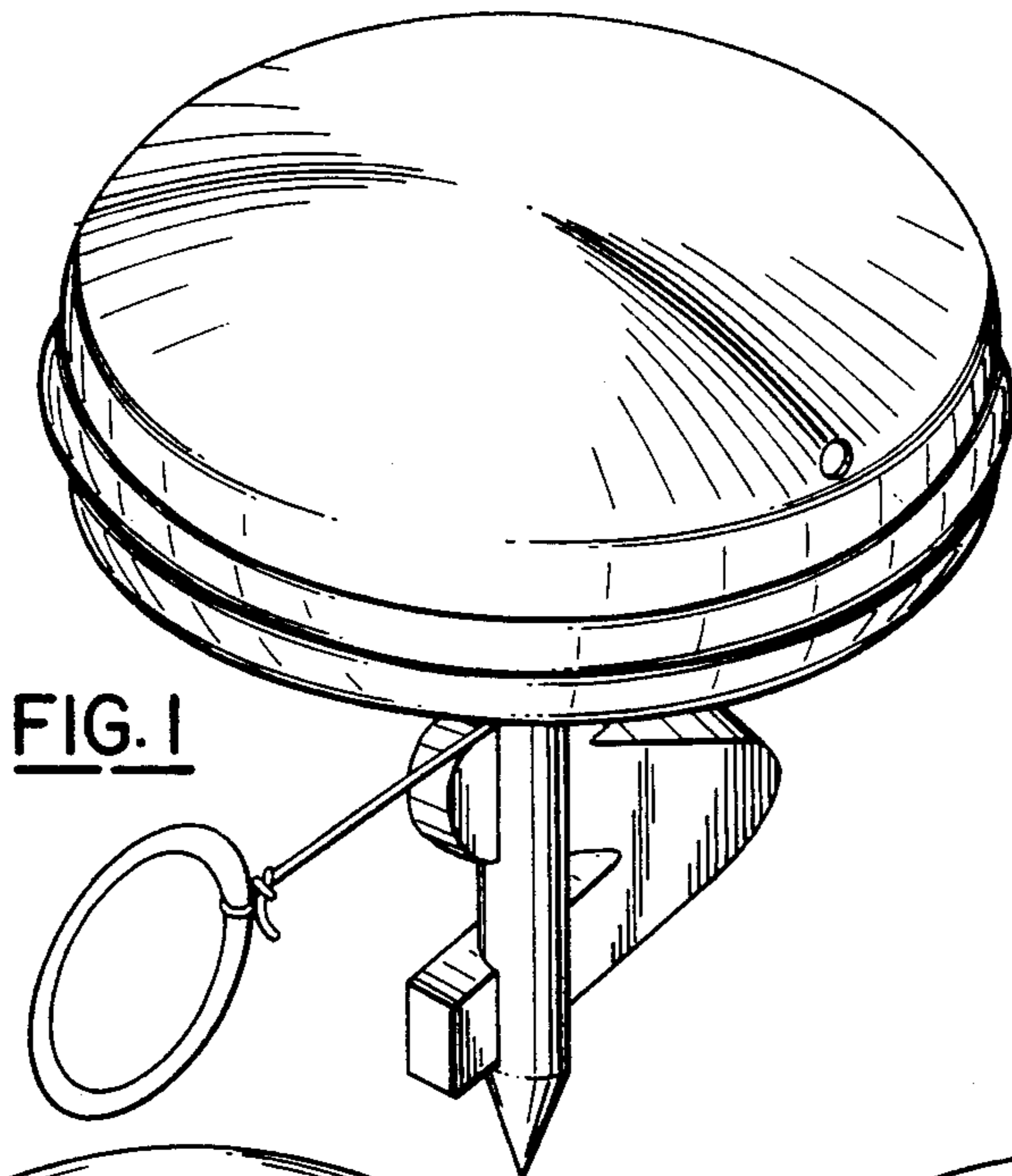


FIG. 1

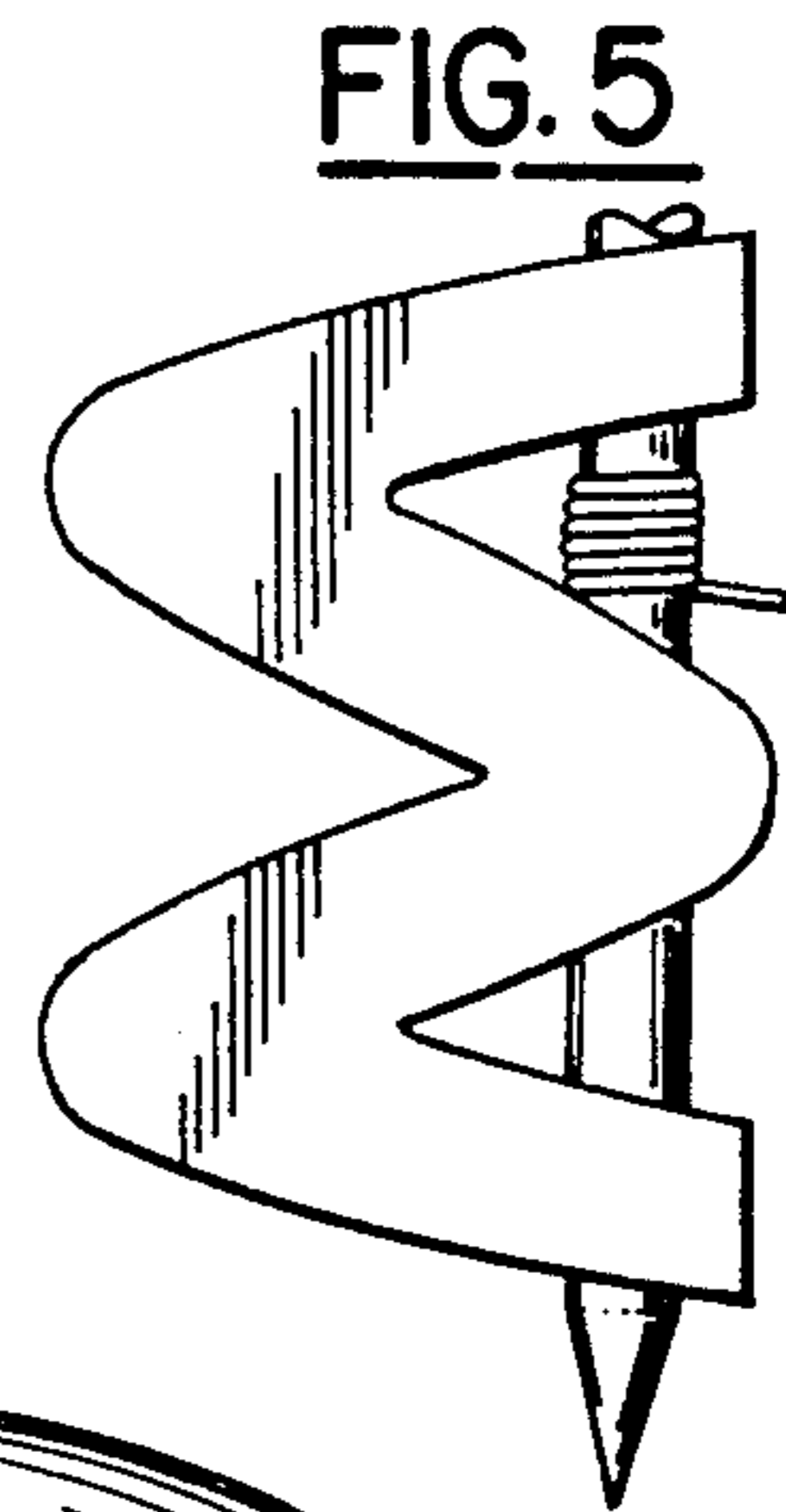


FIG. 5

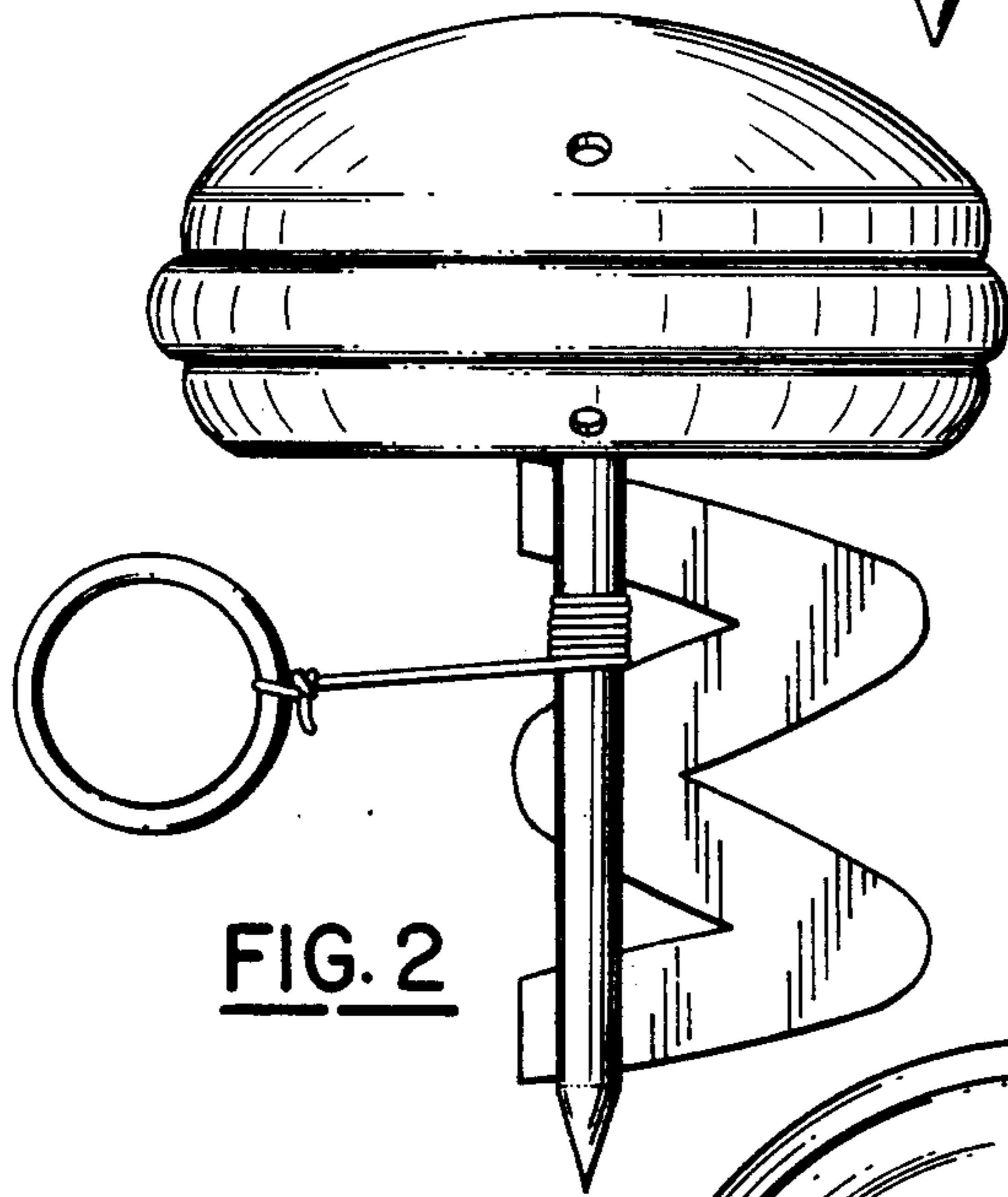


FIG. 2

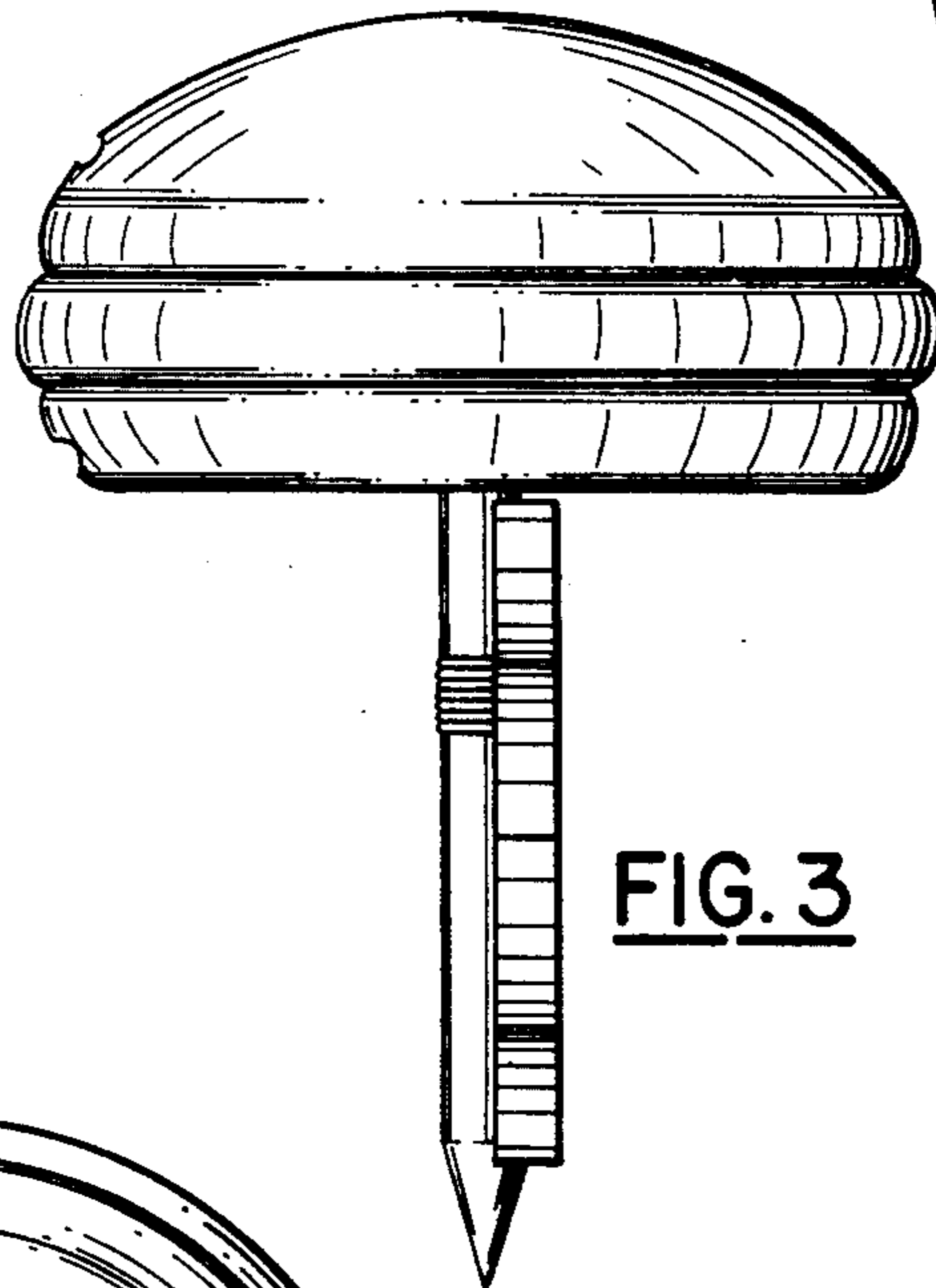


FIG. 3

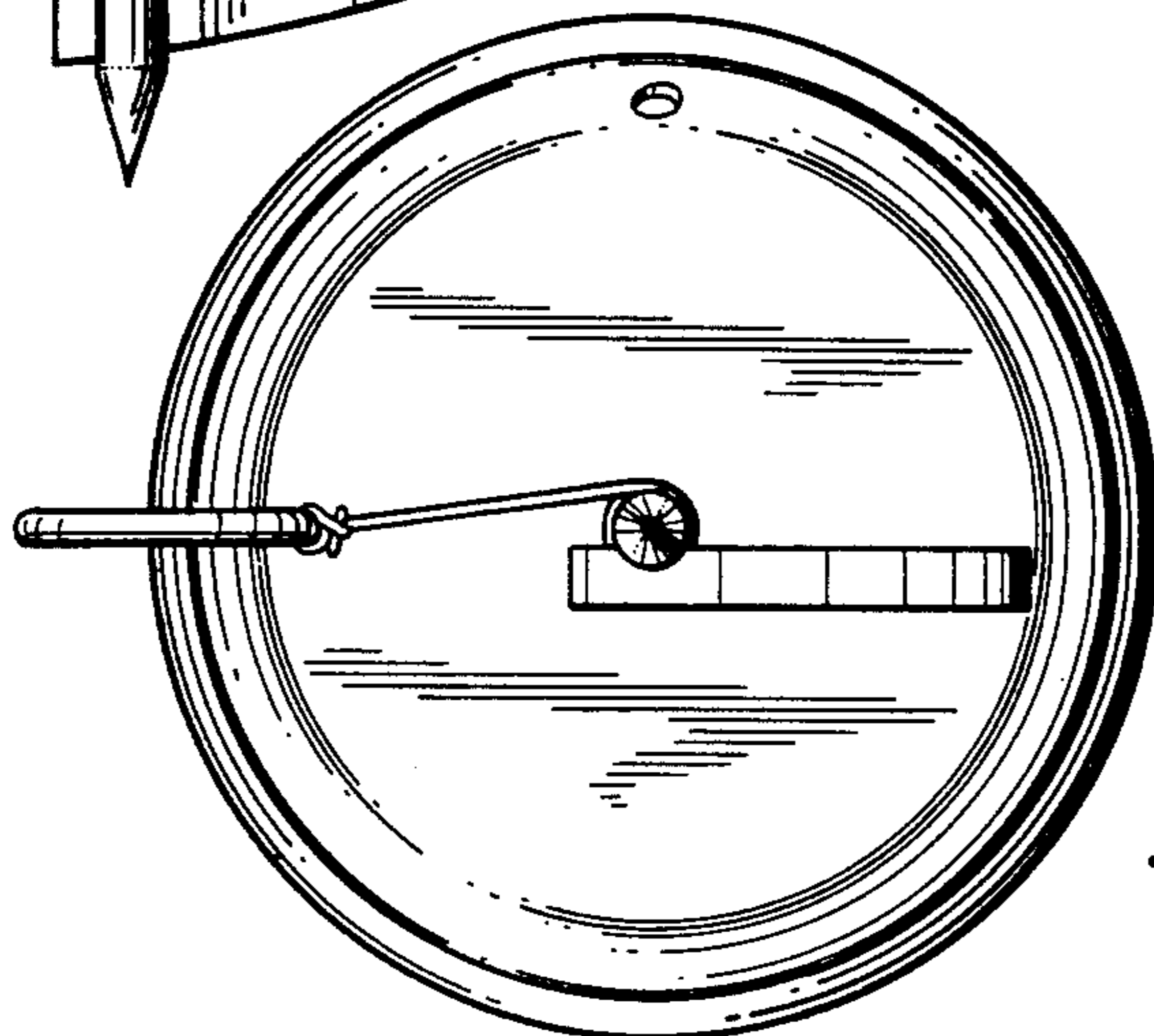


FIG. 4