

[54] BOARD GAME UNIT

[75] Inventor: **Barrie H. McAusland**, Leicester, England

[73] Assignee: **Invicta Plastics Limited**, Leicester, England

[\*\*] Term: **14 Years**

[21] Appl. No.: **823,989**

[22] Filed: **Aug. 12, 1977**

[51] Int. Cl. .... **D21—01**

[52] U.S. Cl. .... **D21/20**

[58] Field of Search ..... **D34/5 SS, 5 TT;**  
273/236-275

[56] **References Cited**

**U.S. PATENT DOCUMENTS**

2,889,634	6/1959	Bringmann .....	D21/20
3,794,327	2/1974	Washington .....	273/287
4,043,559	8/1977	Eigen .....	273/236

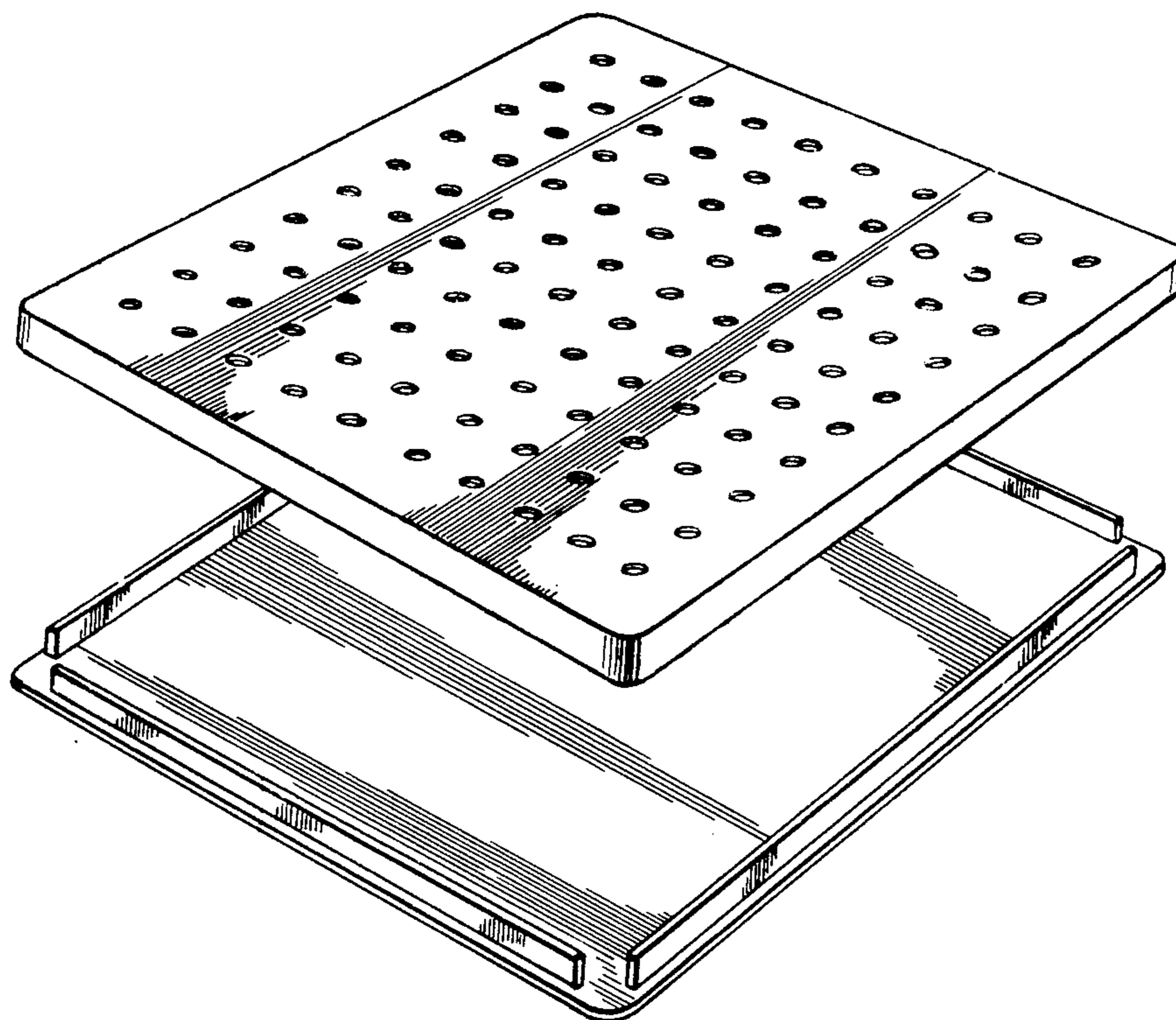
*Primary Examiner*—Melvin B. Feifer  
*Attorney, Agent, or Firm*—Spensley, Horn, Jubas & Lubitz

[57] **CLAIM**

The ornamental design for a "board game unit", as shown and described.

**DESCRIPTION**

The single FIGURE is a perspective view of a board game unit showing my new design. The portion of the base not shown is the same in appearance as any corner portion that is shown.



U.S. Patent

Jun. 24, 1980

Des. 255,588

