

- [54] **ELECTROSTATIC COPIER**
- [75] Inventor: **Tetuya Goto**, Yokohama, Japan
- [73] Assignee: **Ricoh Company, Ltd.**, Japan
- [**] Term: **14 Years**
- [21] Appl. No.: **853,621**
- [22] Filed: **Nov. 21, 1977**
- [30] **Foreign Application Priority Data**
 May 30, 1977 [JP] Japan 52/20786
- [51] Int. Cl. **D16-03**
- [52] U.S. Cl. **D16/30**
- [58] Field of Search **D16/27, 28, 29, 30,**
D16/31, 32; 355/3R, 7, 8, 9
- [56] **References Cited**
U.S. PATENT DOCUMENTS
 D. 236,157 7/1975 Sakamoto et al. D16/30

- D. 236,915 9/1975 Hideshima D16/31
- D. 247,296 2/1978 Nakade D16/31
- D. 249,521 9/1978 Murai D16/30

Primary Examiner—Catherine E. Kemper
Attorney, Agent, or Firm—McGlew and Tuttle

[57] **CLAIM**

The ornamental design for an electrostatic copier, as shown and described.

DESCRIPTION

FIG. 1 is a front, top and right side perspective view of an electrostatic copier showing my new design; FIG. 2 is a front elevational view thereof; FIG. 3 is a top plan view thereof; FIG. 4 is a right side elevational view thereof; FIG. 5 is a left side elevational view thereof; FIG. 6 is a rear elevational view thereof; FIG. 7 is a bottom view thereof; FIG. 8 is a perspective view thereof, shown in the operating mode.

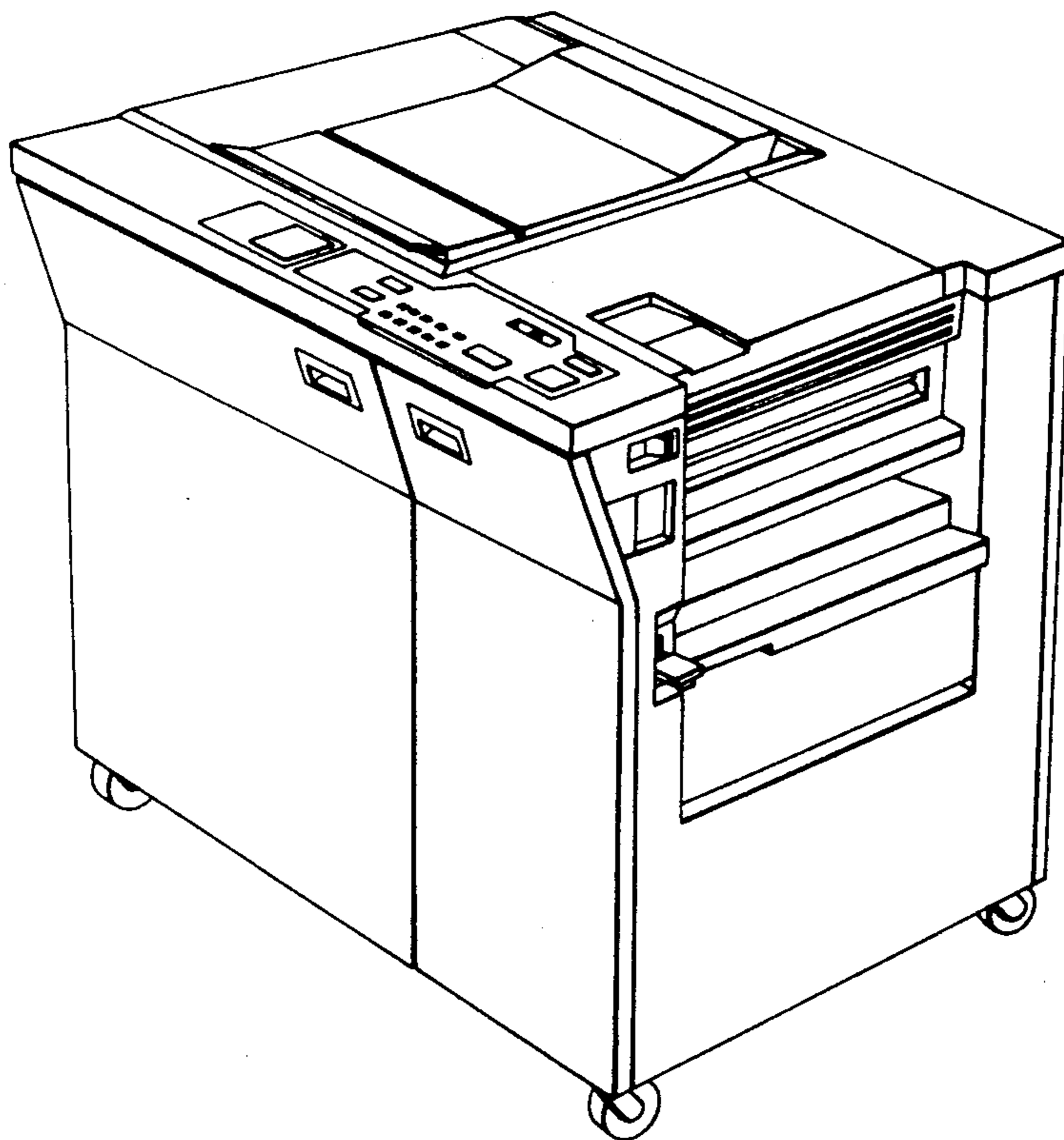


FIG. 1

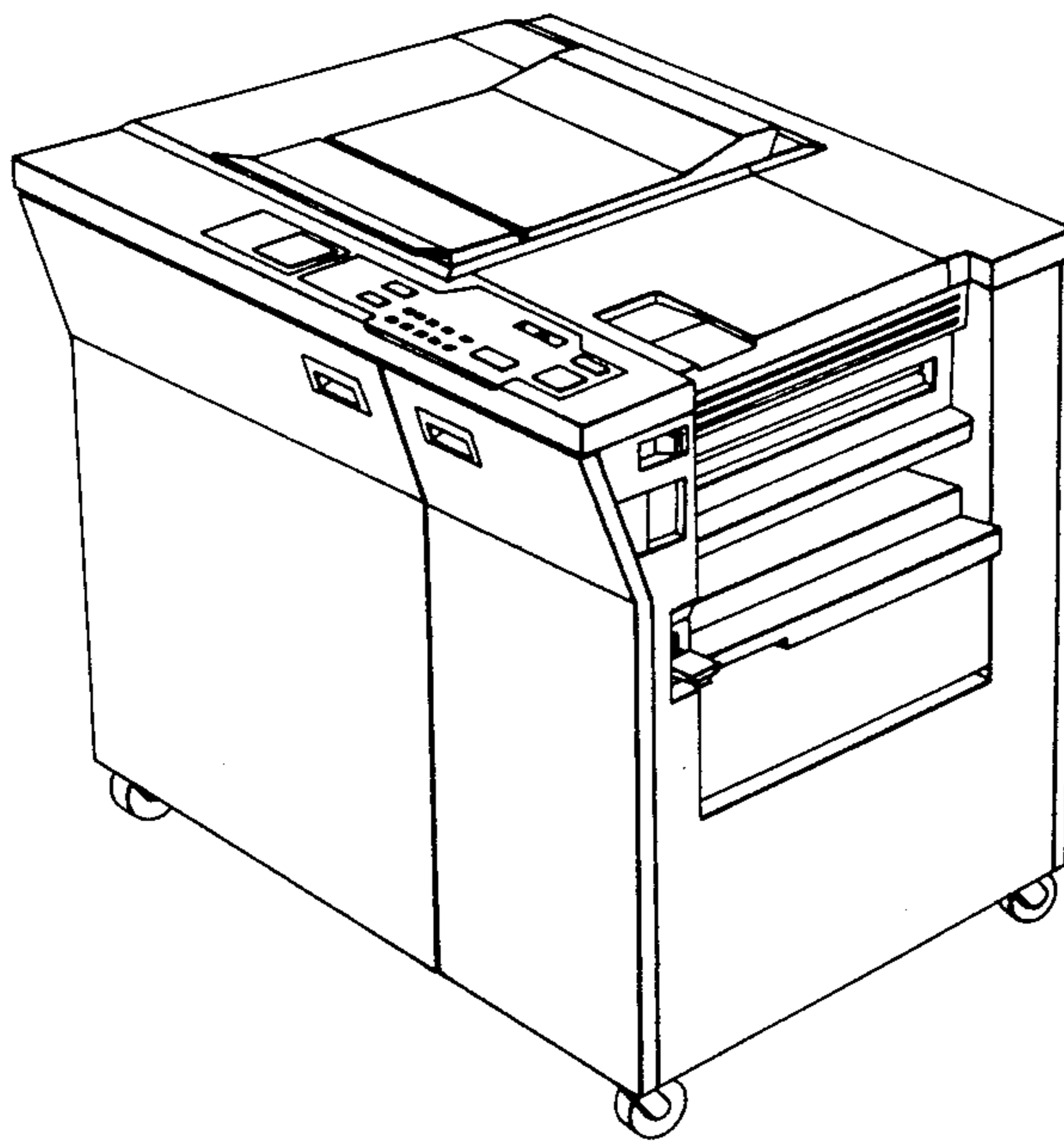


FIG. 2

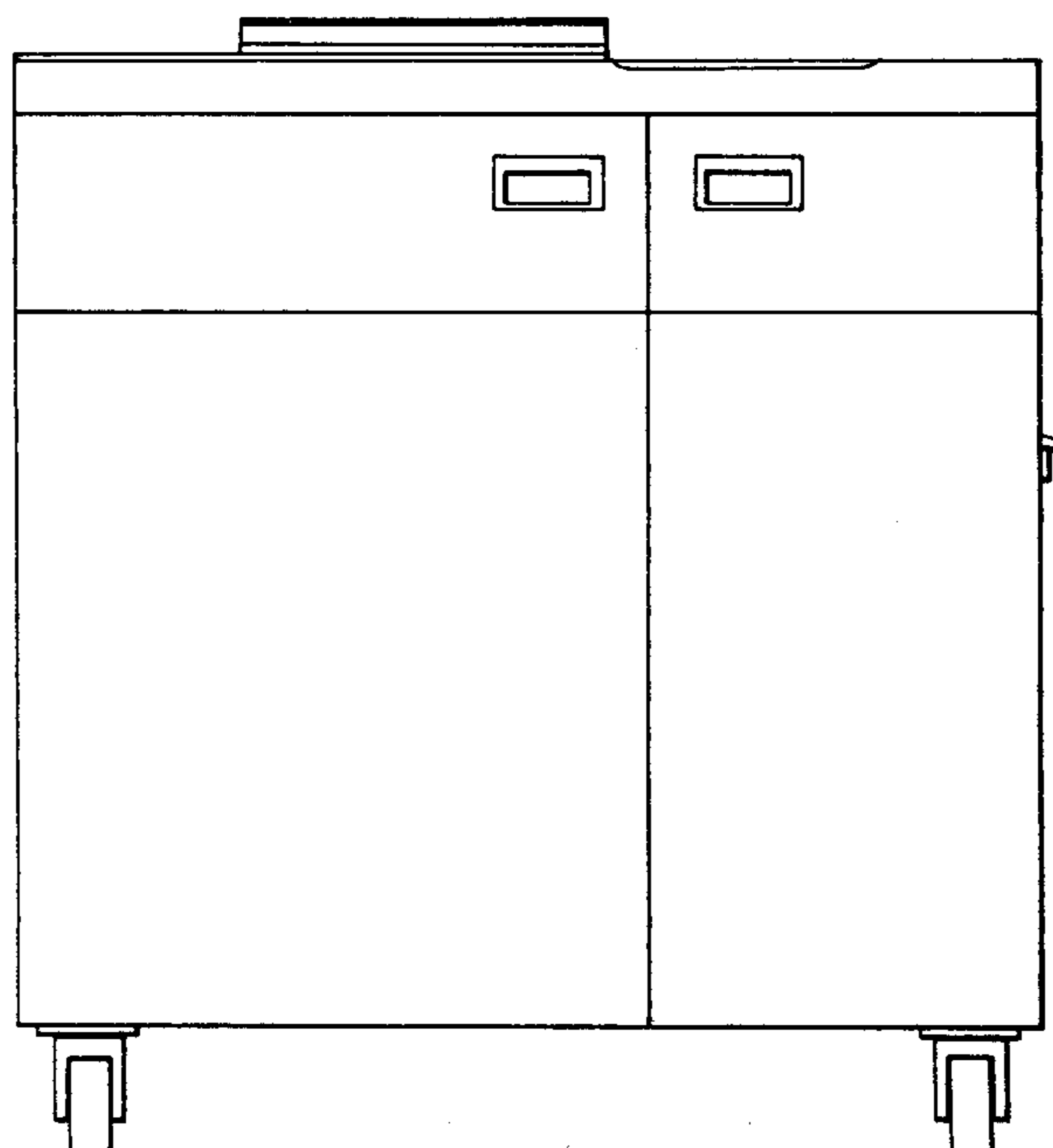


FIG. 3

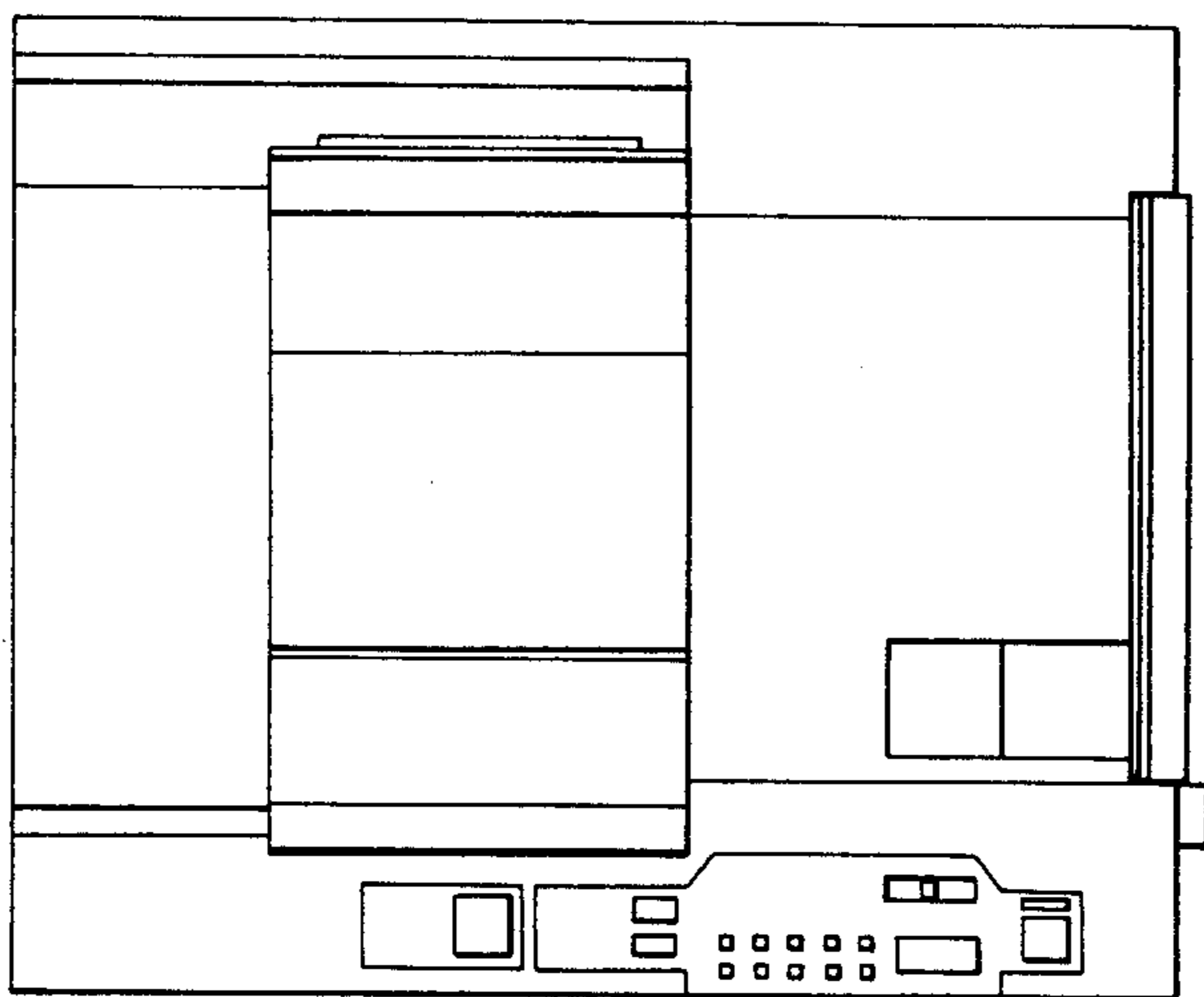


FIG. 4

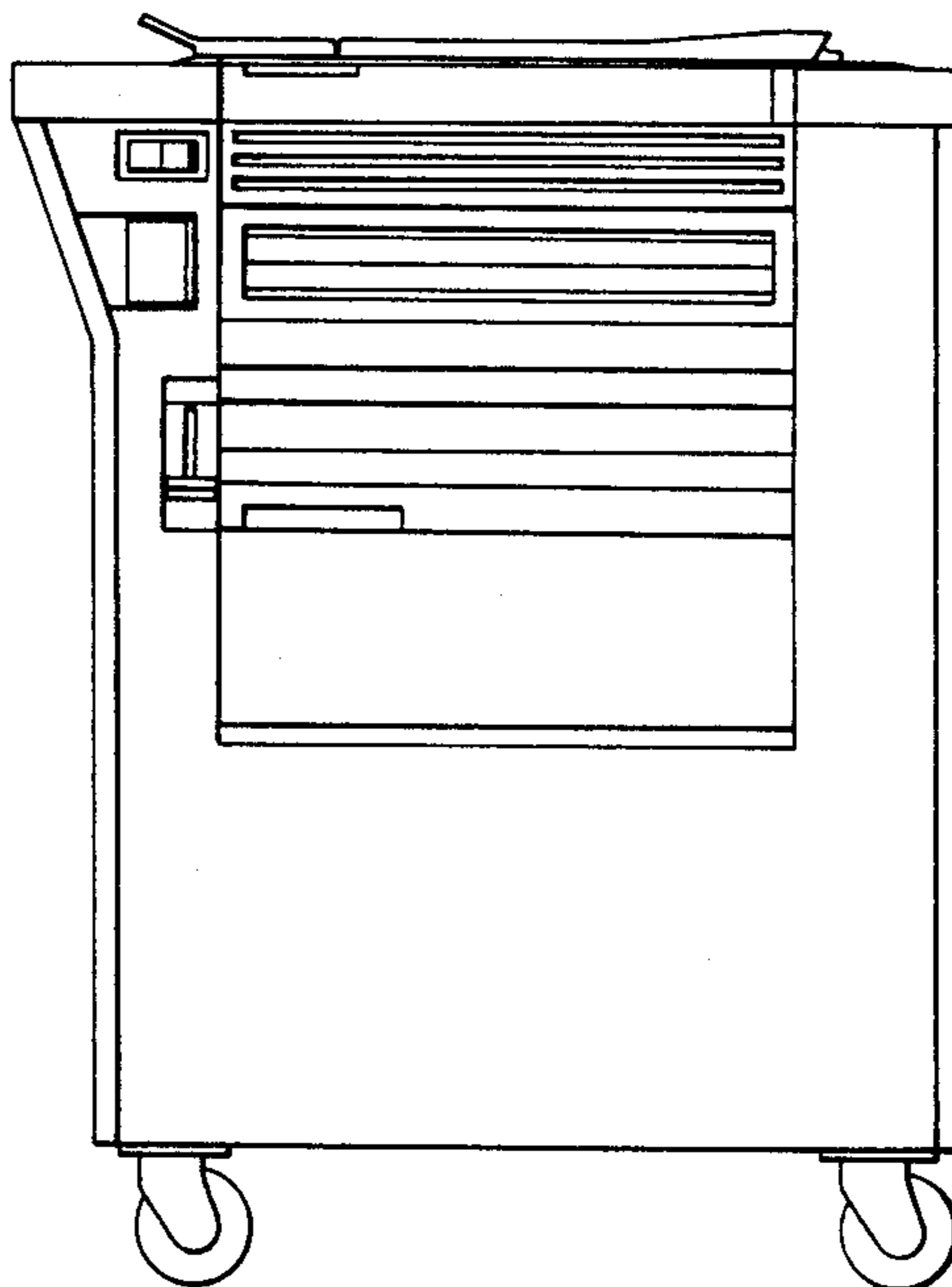


FIG. 5

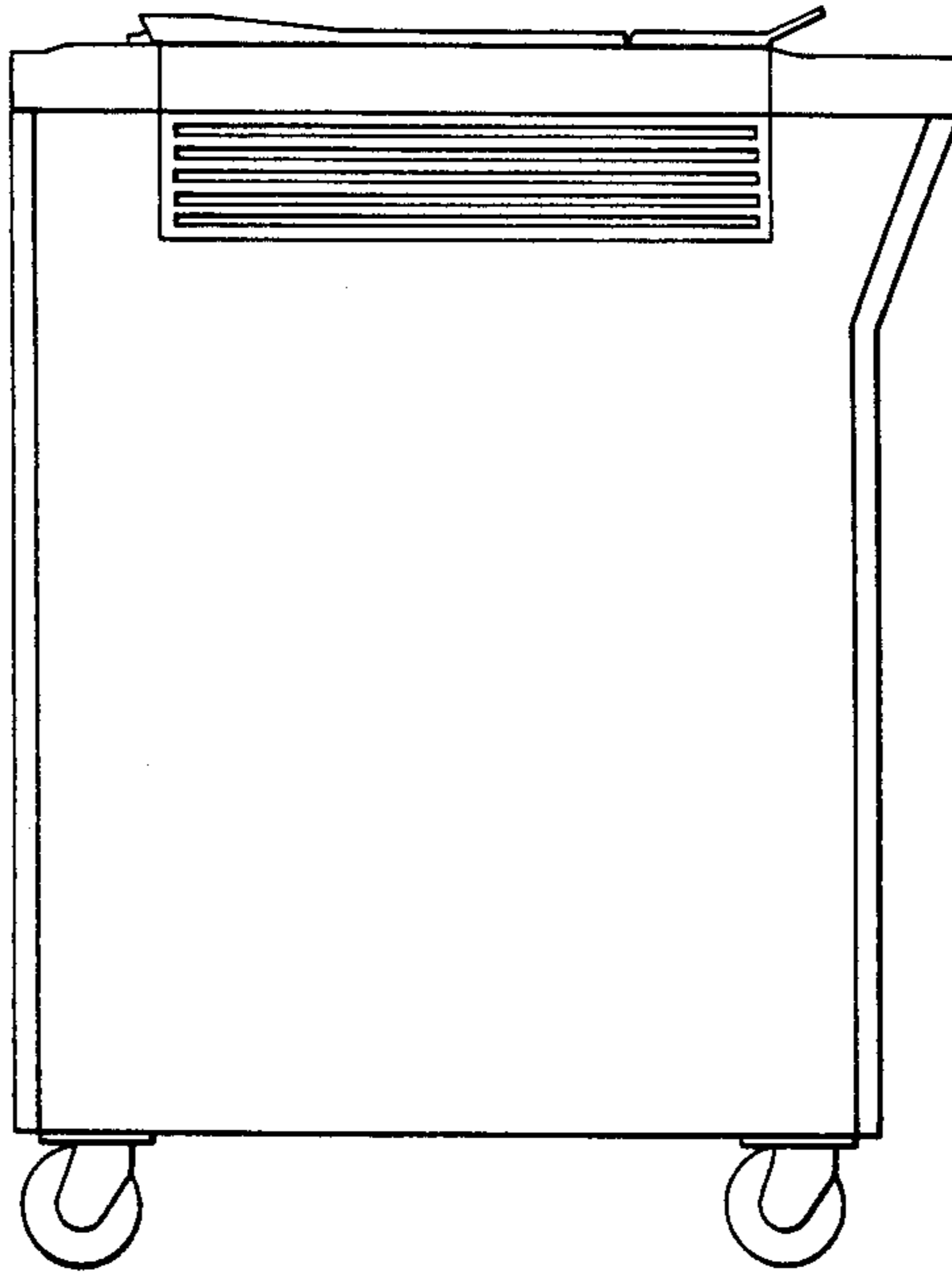


FIG. 6

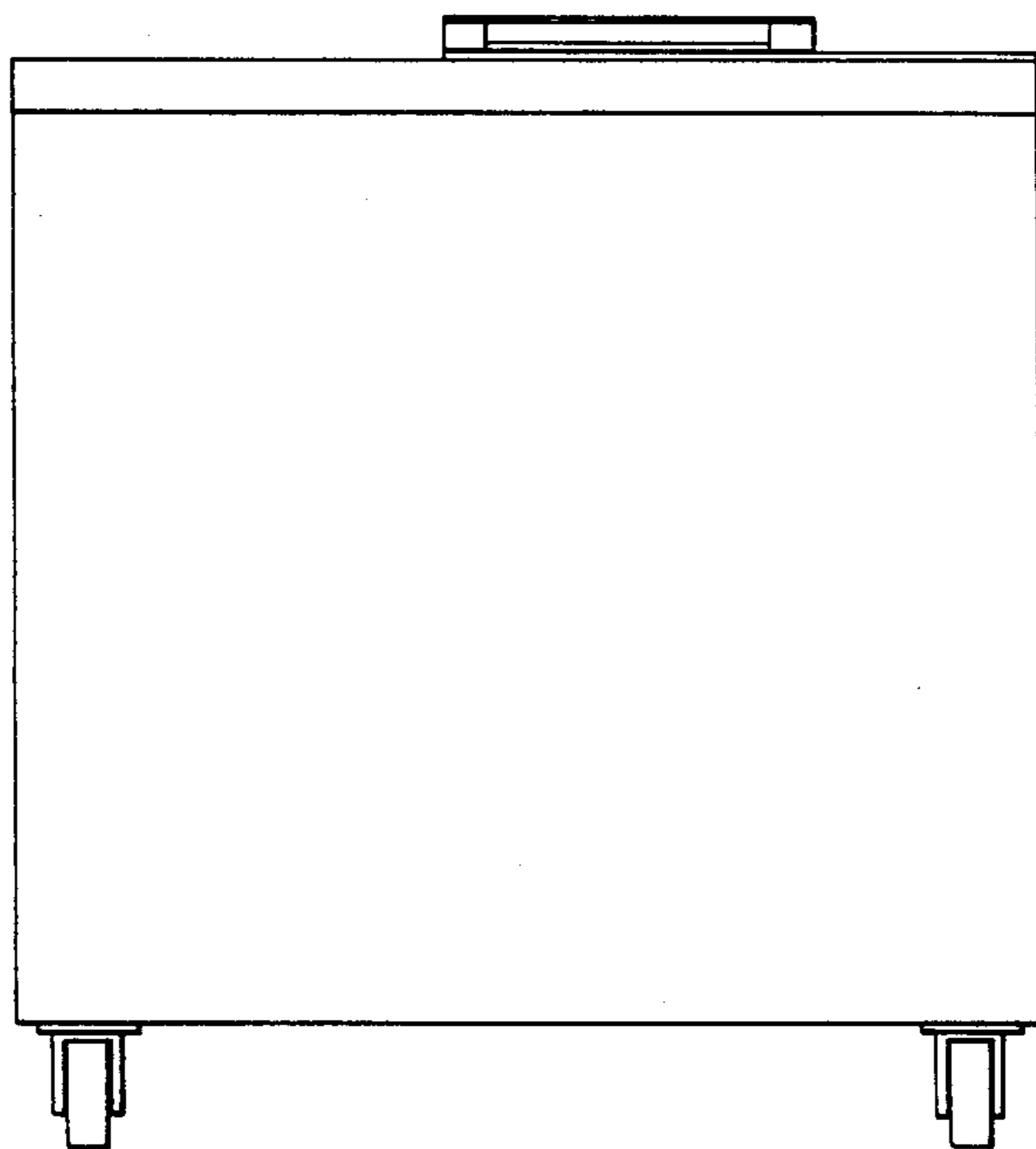


FIG. 7

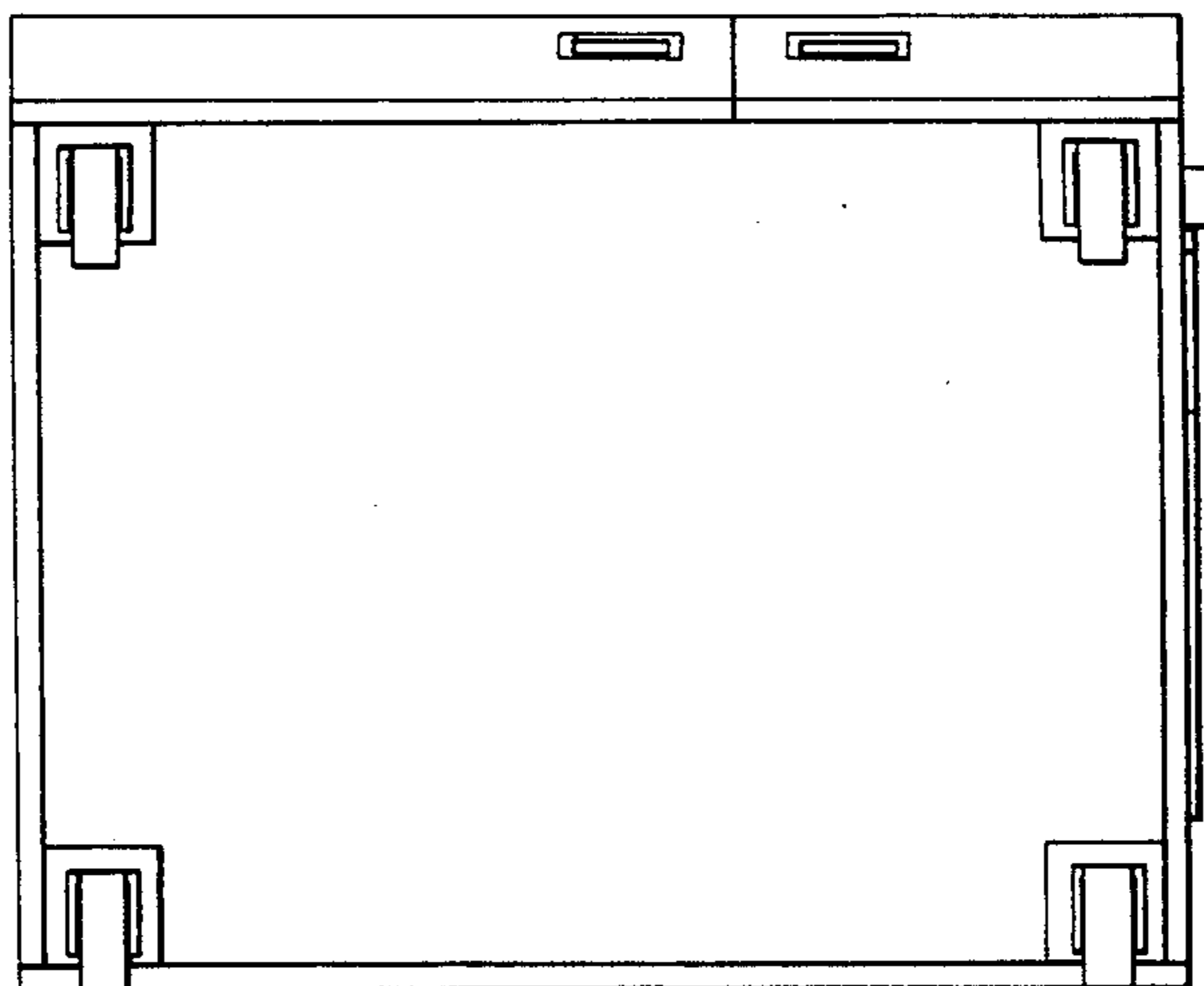


FIG. 8

