

[54] CAMERA BRACKET

[76] Inventor: John Lackenby, P.O. Box 364, Englewood, Colo. 80151

[\*\*] Term: 14 Years

[21] Appl. No.: 808,889

[22] Filed: Jun. 22, 1977

[51] Int. Cl. .... D16-05

[52] U.S. Cl. .... D16/47

[58] Field of Search ..... D16/38, 44, 47; 354/81, 354/82, 202, 293, 288; 248/187

[56] References Cited

U.S. PATENT DOCUMENTS

D. 185,260	5/1959	Beyer .....	D16/44
3,575,098	4/1971	Jones .....	354/293
3,984,855	10/1976	Baczynsky .....	354/293
4,081,814	3/1978	Bulland .....	354/293

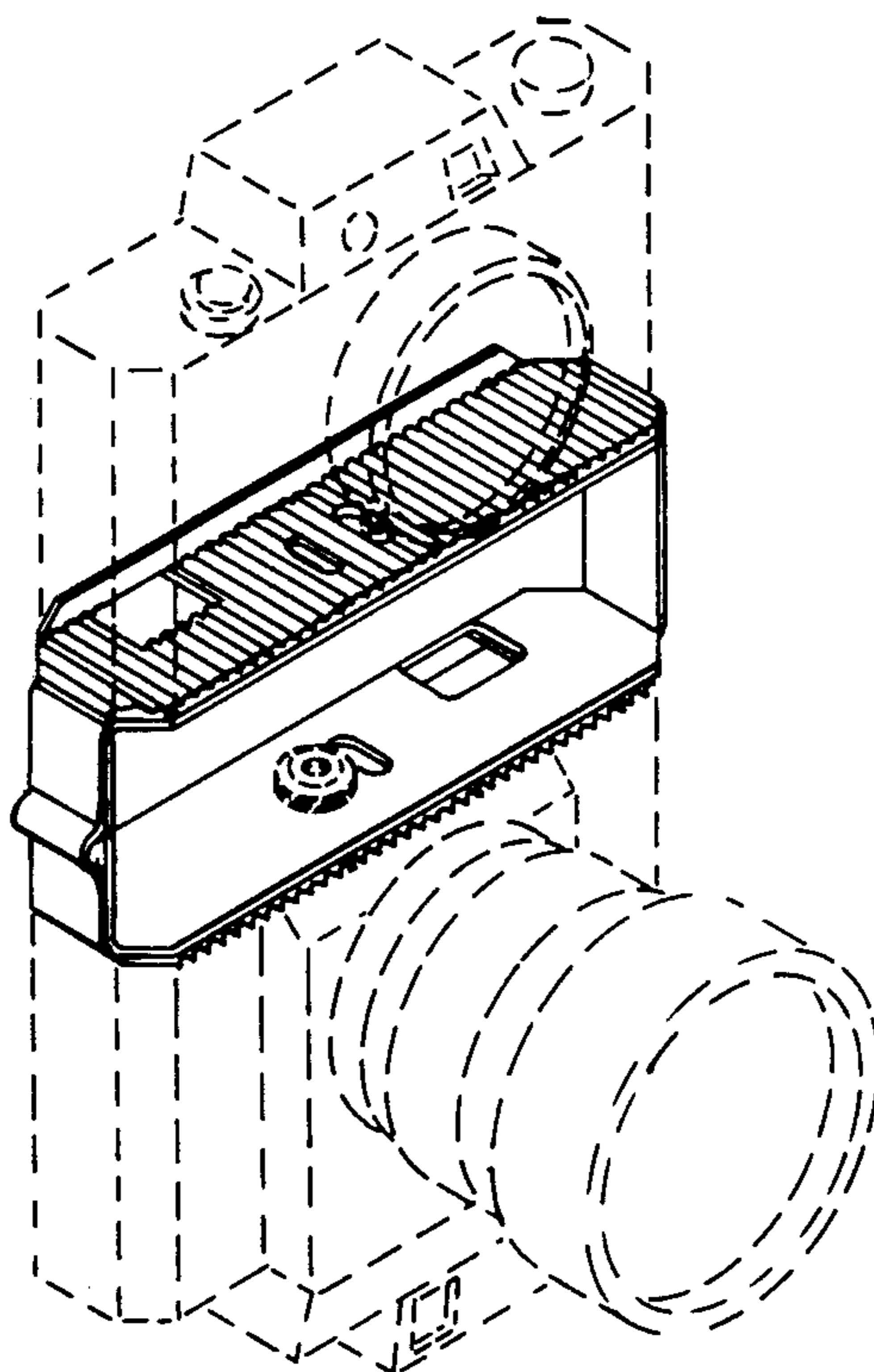
Primary Examiner—Catherine E. Kemper  
Attorney, Agent, or Firm—Sheridan, Ross, Fields & McIntosh

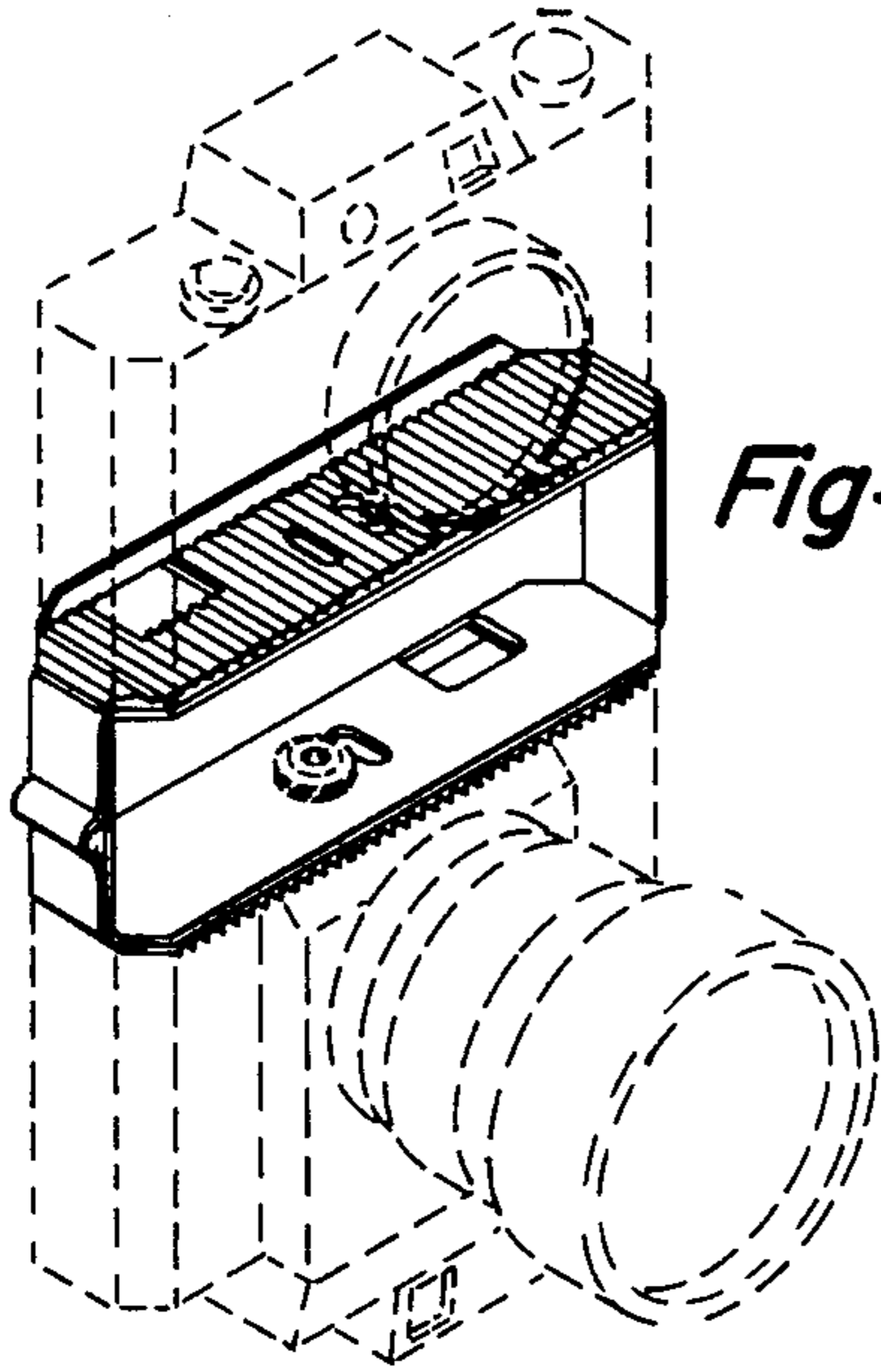
[57] CLAIM

The ornamental design for the camera bracket, as shown and described.

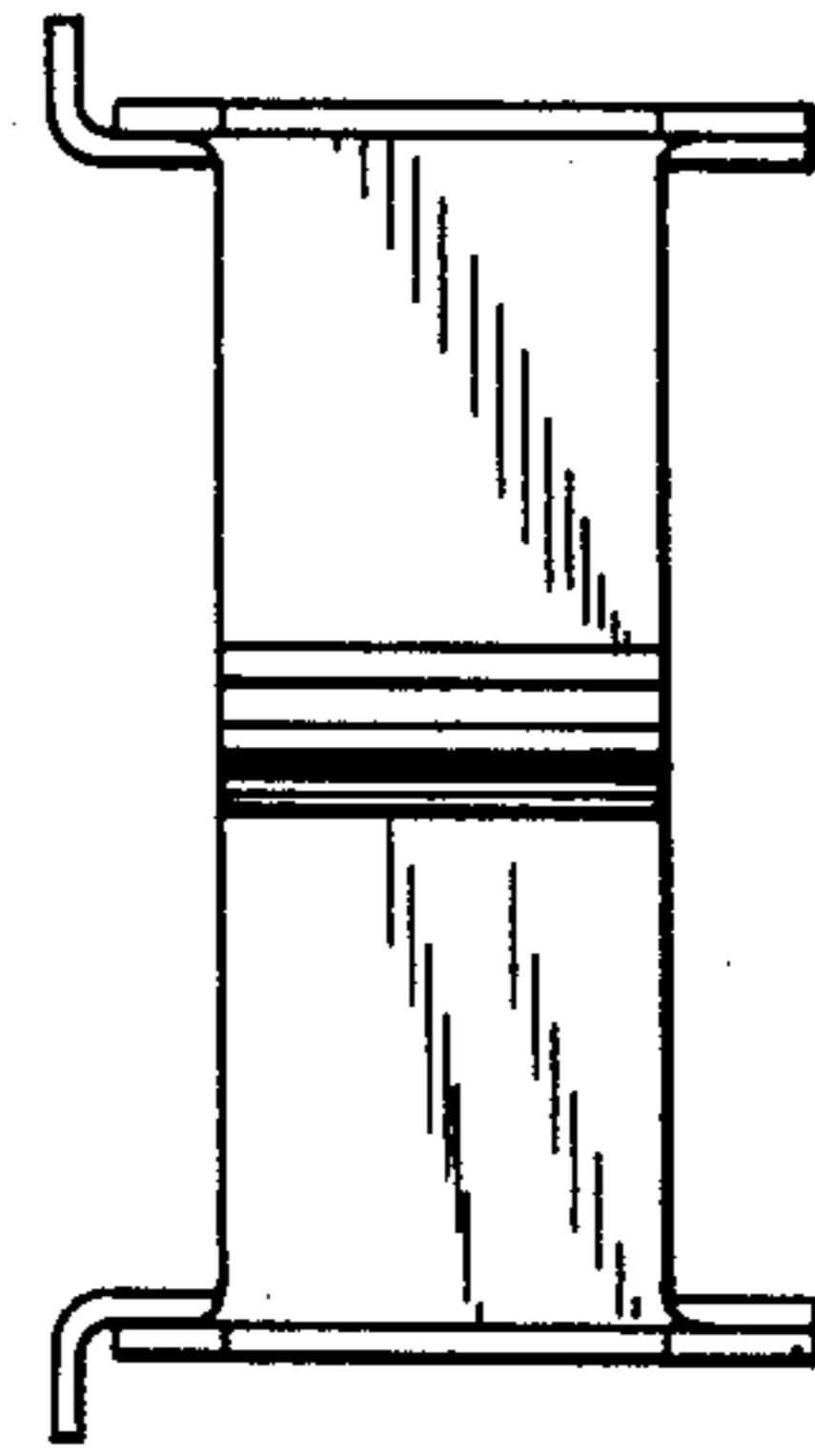
DESCRIPTION

FIG. 1 is a perspective view of a camera bracket showing my new design;  
FIG. 2 is a top plan view thereof shown on a larger scale;  
FIG. 3 is a side elevational view thereof;  
FIG. 4 is an opposite side elevational view thereof;  
FIG. 5 is a front elevational view thereof;  
FIG. 6 is a rear elevational view thereof; and  
FIG. 7 is a bottom plan view thereof.  
The broken line disclosure of a pair of cameras mounted on the camera bracket in FIG. 1 is for illustrative purposes only and forms no part of the claimed design.



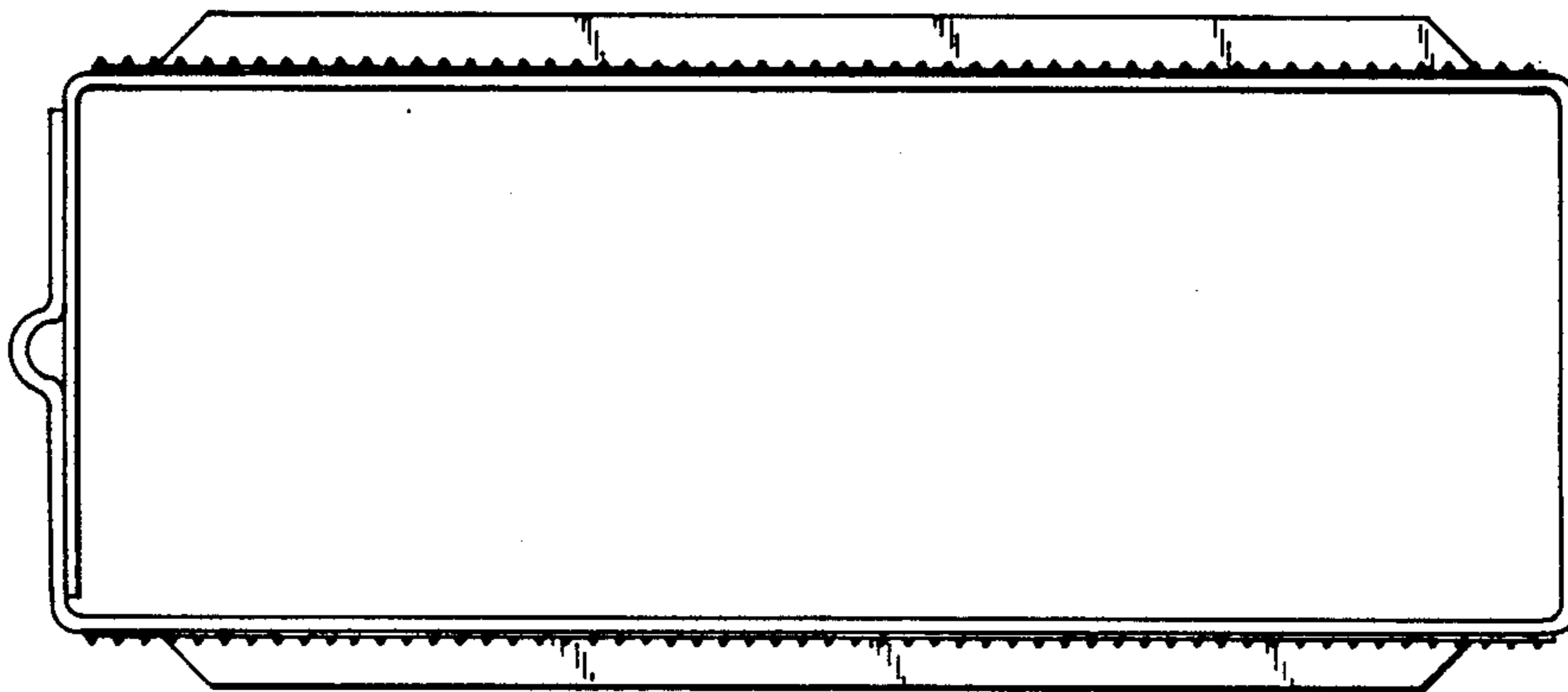
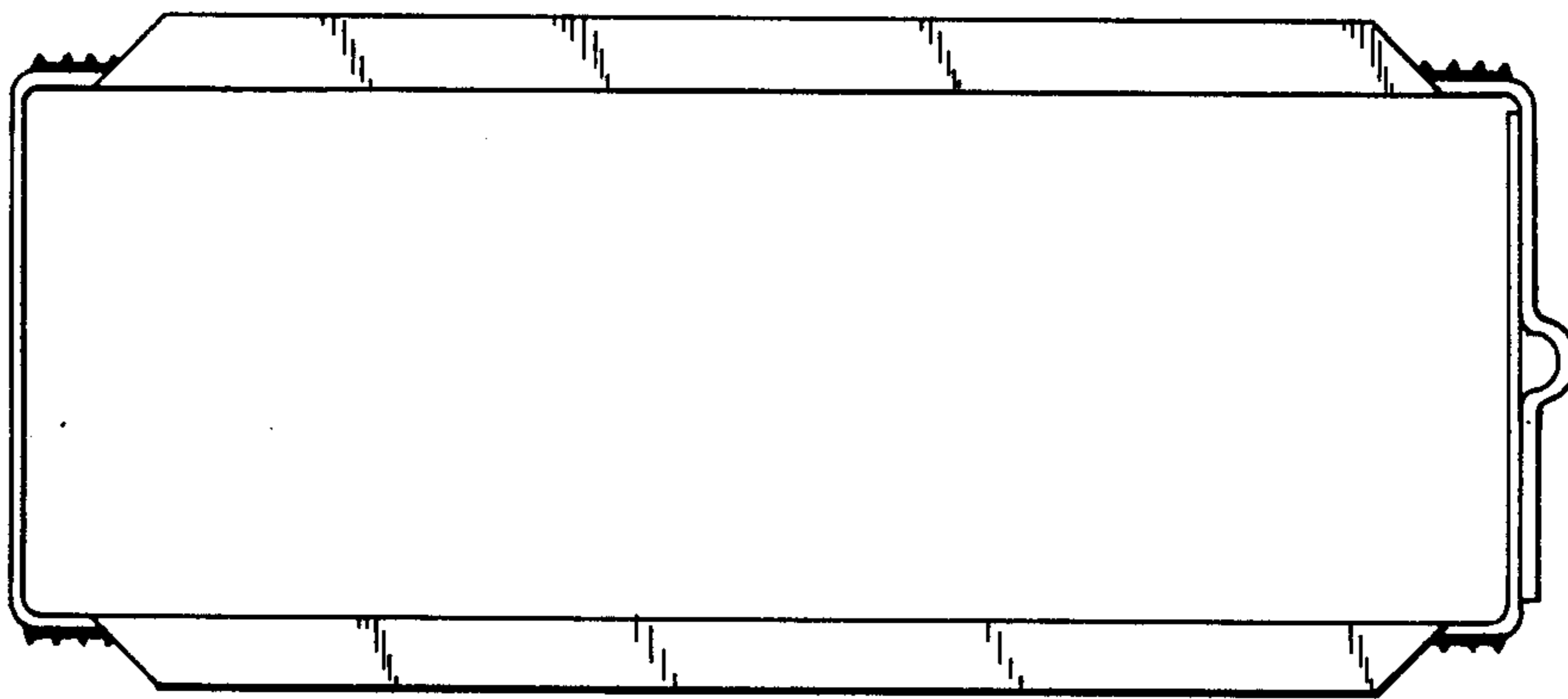


*Fig-1*



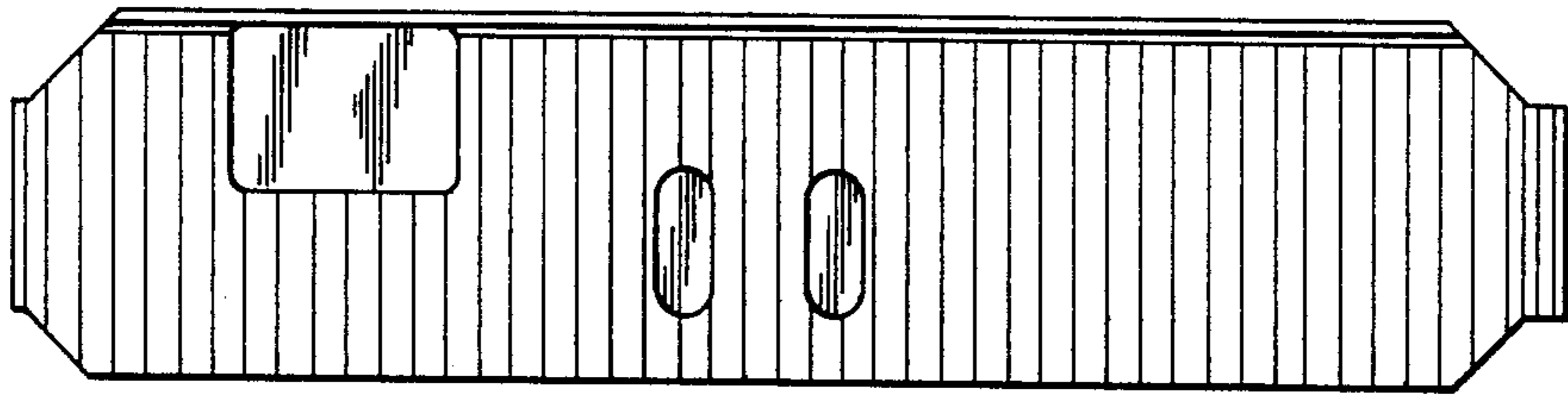
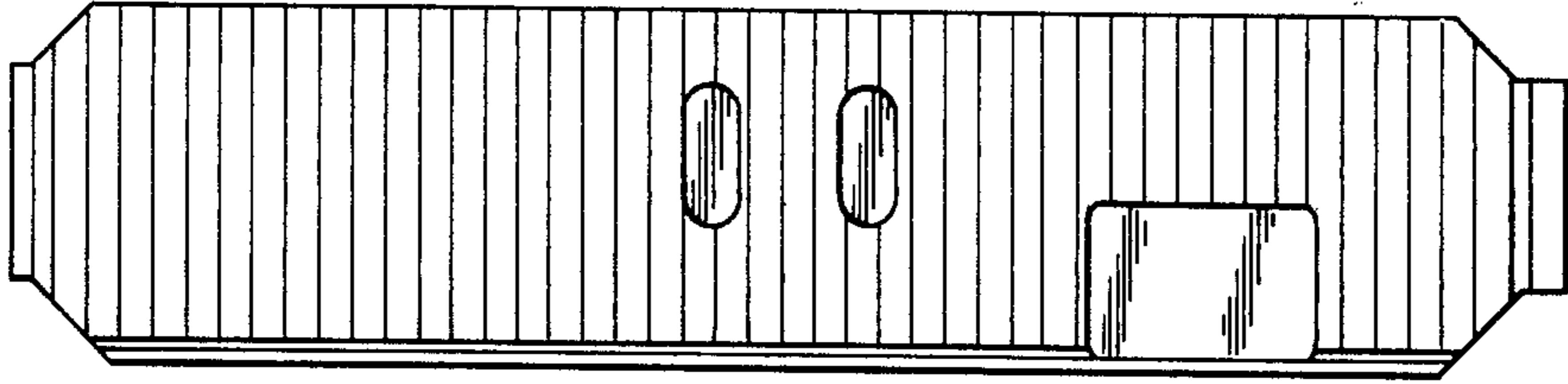
*Fig-2*

*Fig-3*

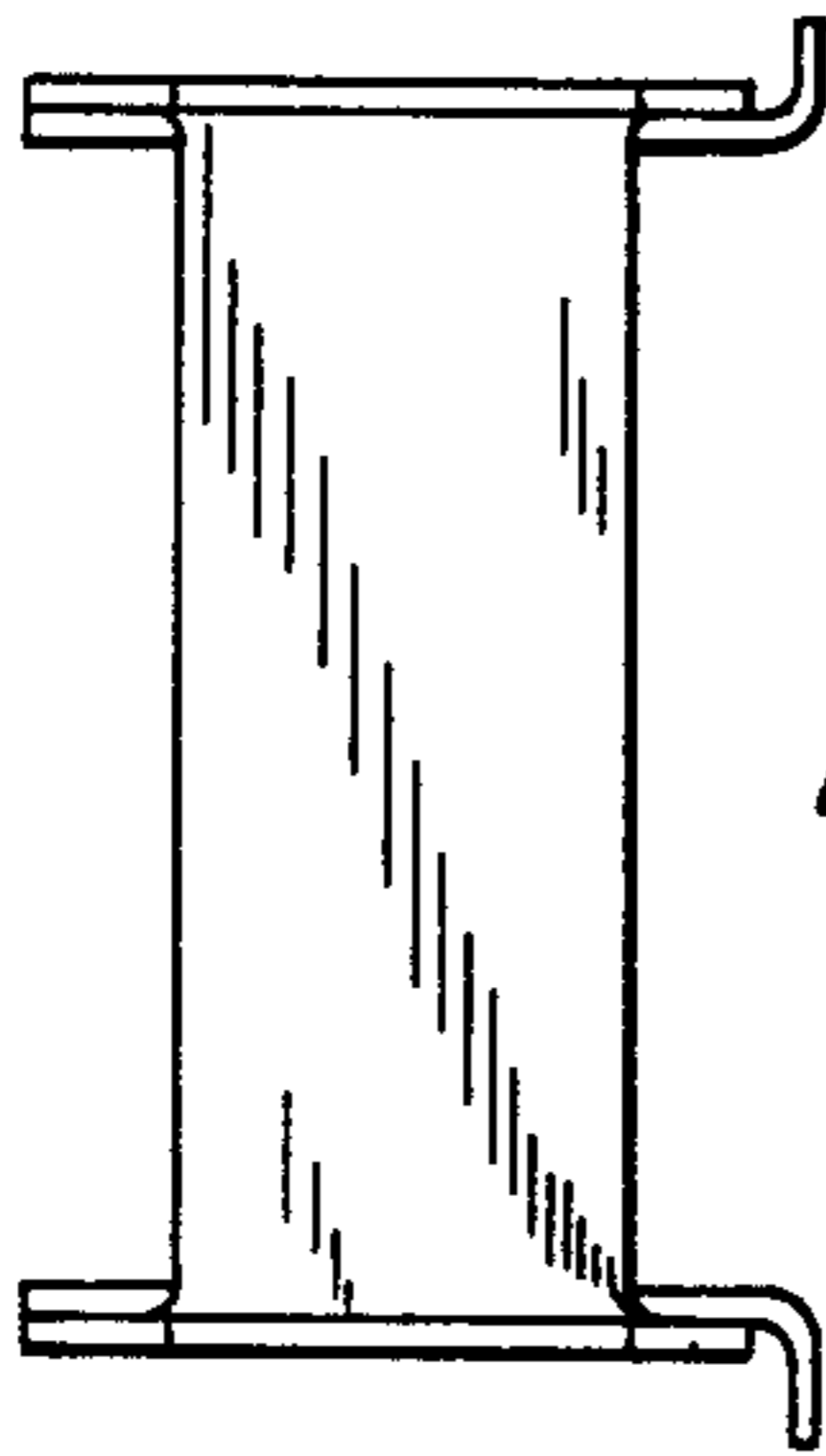


*Fig-4*

*Fig-5*



*Fig-6*



*Fig-7*