

[54] **FILM STRIP VIEWER**
 [76] Inventor: **Harry Owens**, 9300 Venice Blvd.,
 Culver City, Calif. 90230
 [**] Term: **14 Years**
 [21] Appl. No.: **885,465**
 [22] Filed: **Mar. 10, 1978**
 [51] Int. Cl. **D16-02**
 [52] U.S. Cl. **D16/17; D16/18**
 [58] Field of Search **40/361-367;**
353/22-27, 74, 119, DIG. 2; 352/129, 242;
D16/11, 14, 17, 18, 15

1,450,555 4/1923 Lepine 40/364
 1,999,133 4/1935 Shapiro 40/364
 2,029,415 2/1936 Dennis 40/364
 2,588,803 3/1952 Coffey, Sr. 40/364
 4,073,581 2/1978 Rayburn 40/364 X

Primary Examiner—Catherine E. Kemper
Attorney, Agent, or Firm—Noel F. Heal

[57] **CLAIM**

The ornamental design for a film strip viewer, substantially as shown and described.

DESCRIPTION

FIG. 1 is a perspective view of a film strip viewer showing my new design;
 FIG. 2 is a left side elevational view thereof;
 FIG. 3 is a rear elevational view thereof; and
 FIG. 4 is a bottom plan view thereof.

[56] **References Cited**
U.S. PATENT DOCUMENTS
 D. 112,013 11/1938 Whitman, Jr. D16/15

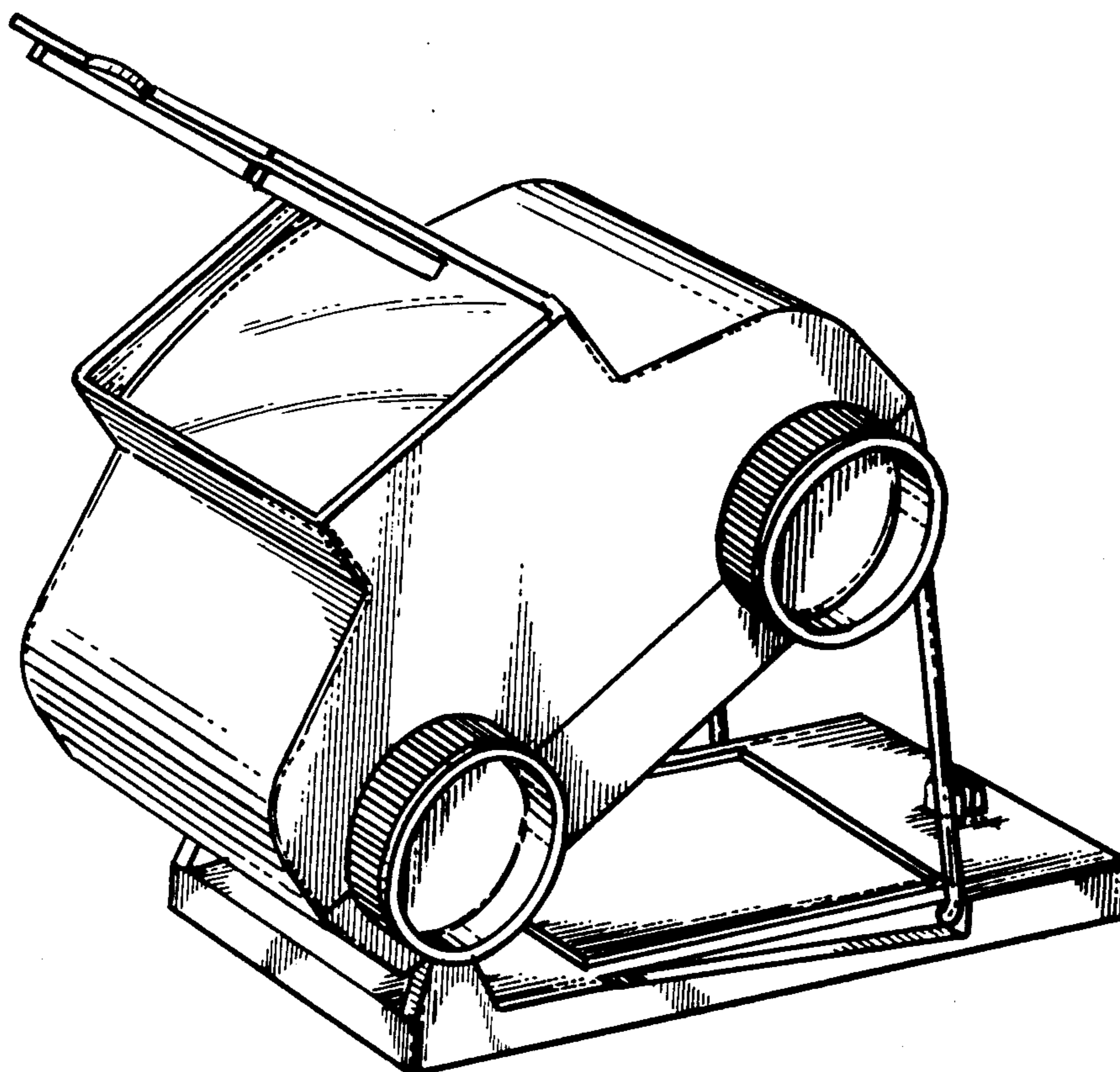


Fig. 1

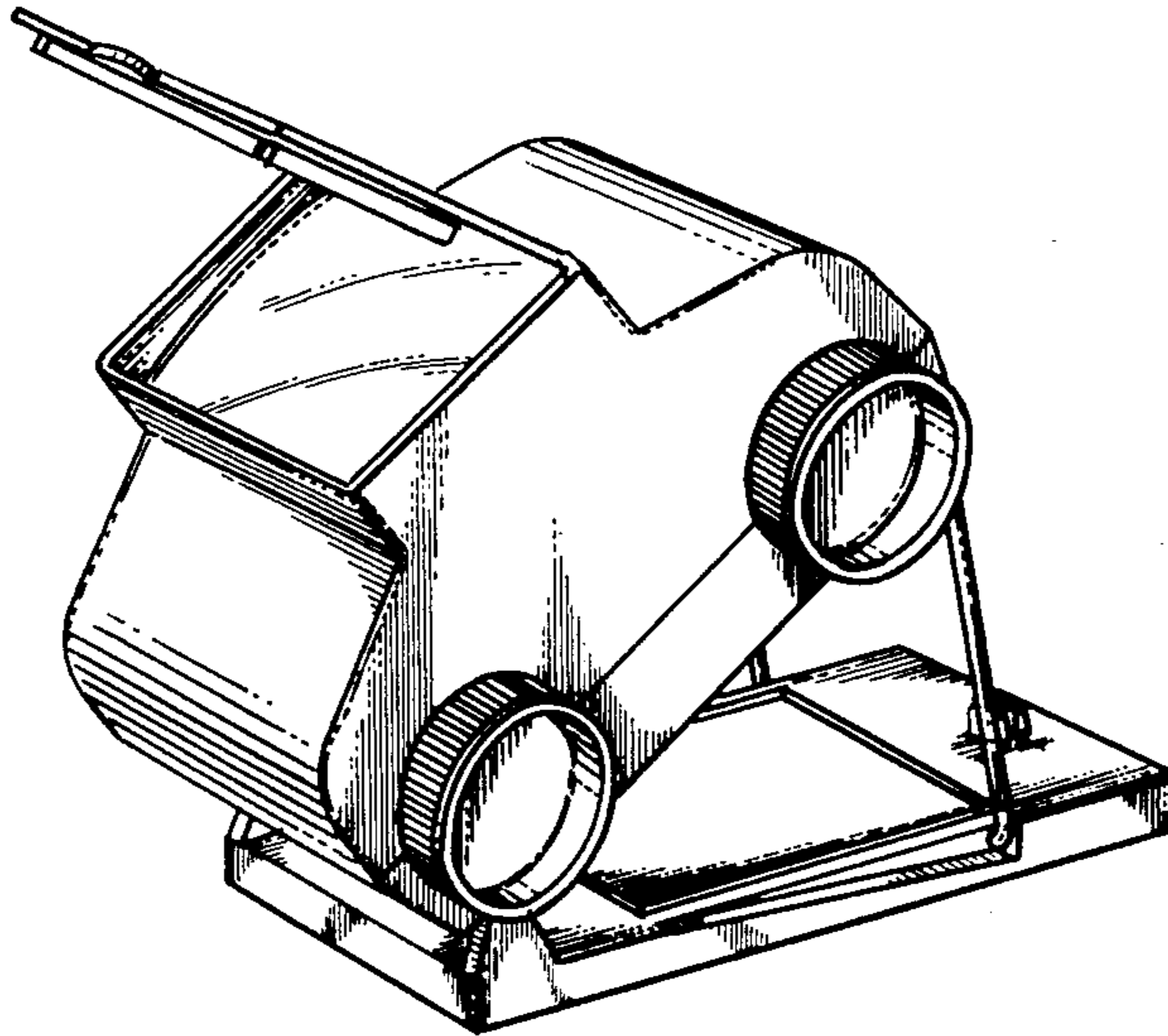


Fig. 2

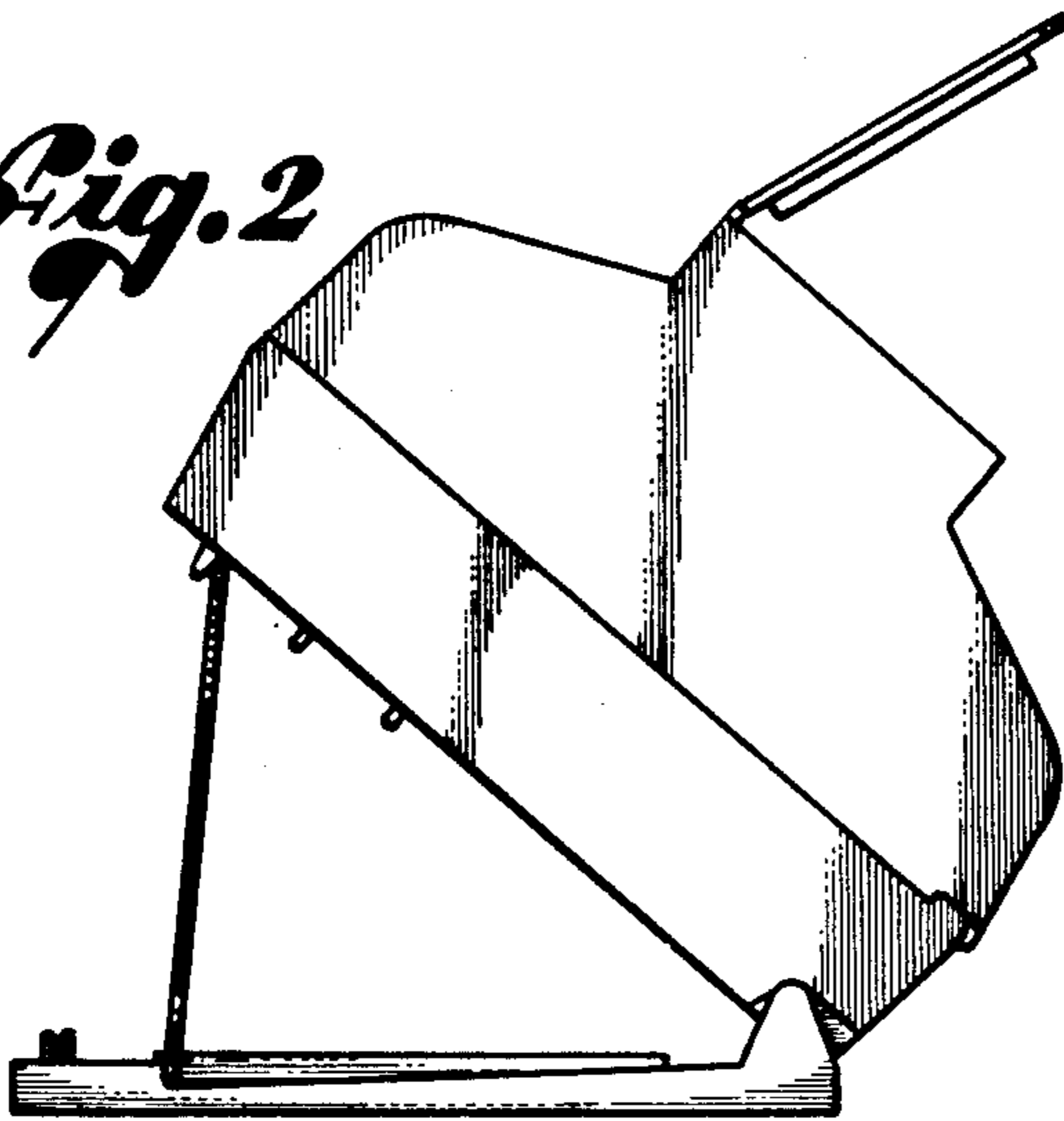


Fig. 3

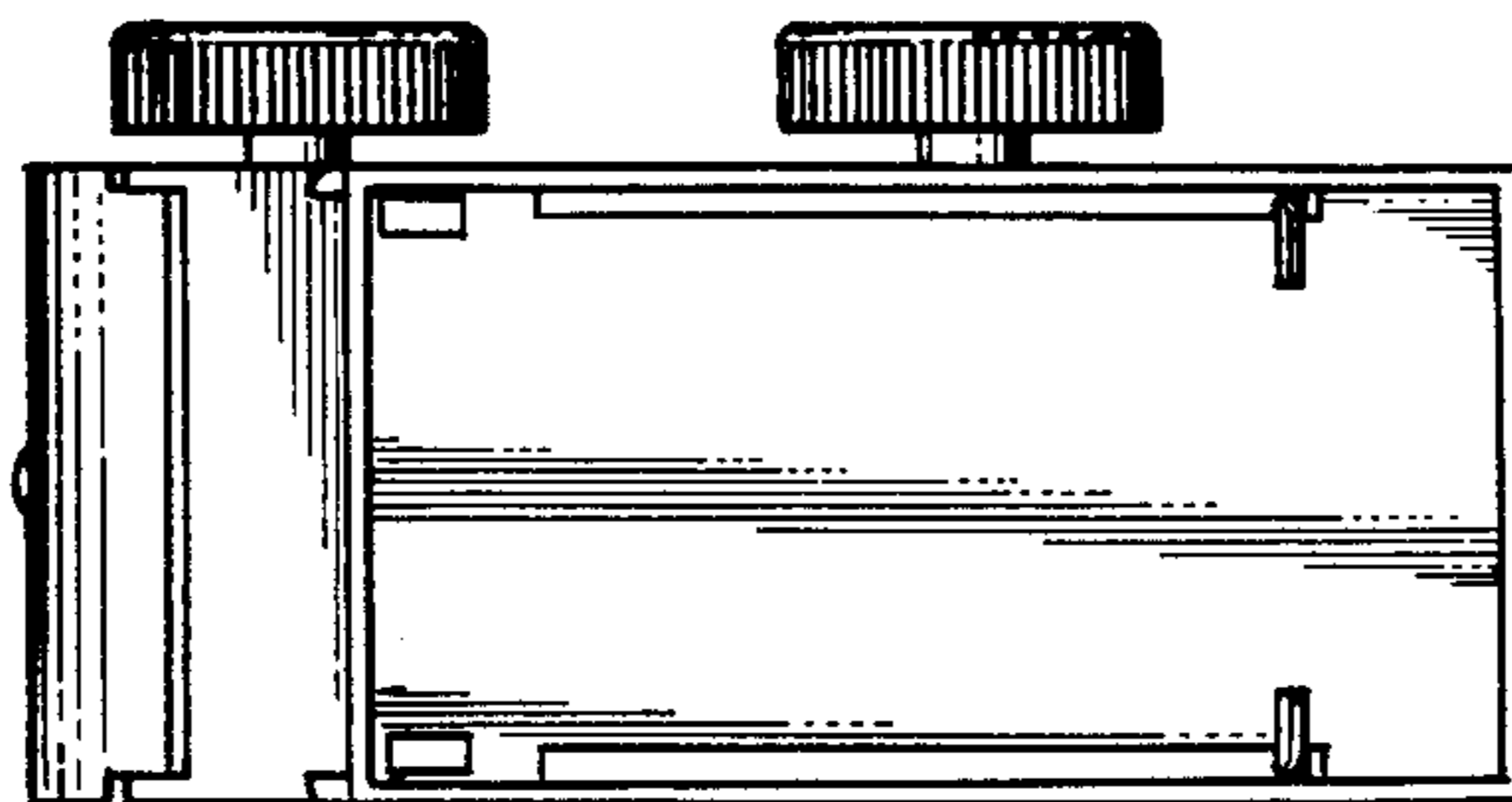
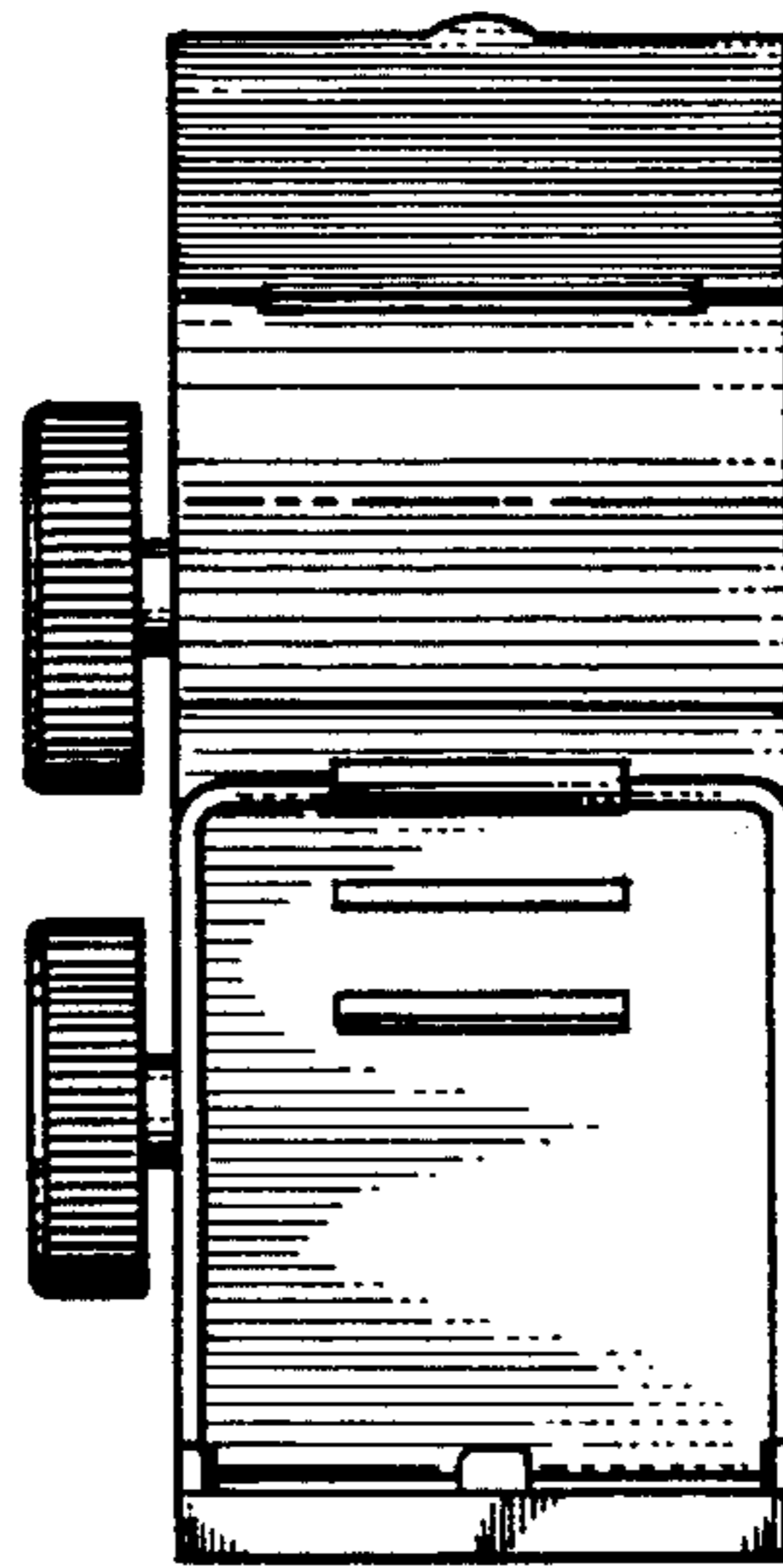


Fig. 4