

[54] LATCH HOOKING YARN DISPENSER

[76] Inventor: Juanita Carver, 6255 E. Avalon, Scottsdale, Ariz. 85251

[**] Term: 14 Years

[21] Appl. No.: 910,800

[22] Filed: May 30, 1978

[51] Int. Cl. D15-99

[52] U.S. Cl. D15/78; D7/96; D9/184

[58] Field of Search D9/184, 187, 189, 171, D9/176; D7/96; D3/20, 23, 24, 25, 69, 75; D15/78; 206/392; 220/21, 23.2; D19/35; 223/106; 242/139

[56] References Cited

U.S. PATENT DOCUMENTS

- D. 163,226 5/1951 Renwick D3/23
- D. 175,466 8/1955 Griffin D3/24

FOREIGN PATENT DOCUMENTS

468180 6/1937 United Kingdom 220/21

OTHER PUBLICATIONS

Chicago Metallic Mfg. Co. Cat. #41, Jul. 1947, p. 6, "Tea Biscuit Muffin Pans" 3rd from bottom. *Food Processing Industry*, Nov./Dec. 1970, p. 118, pan with six members.

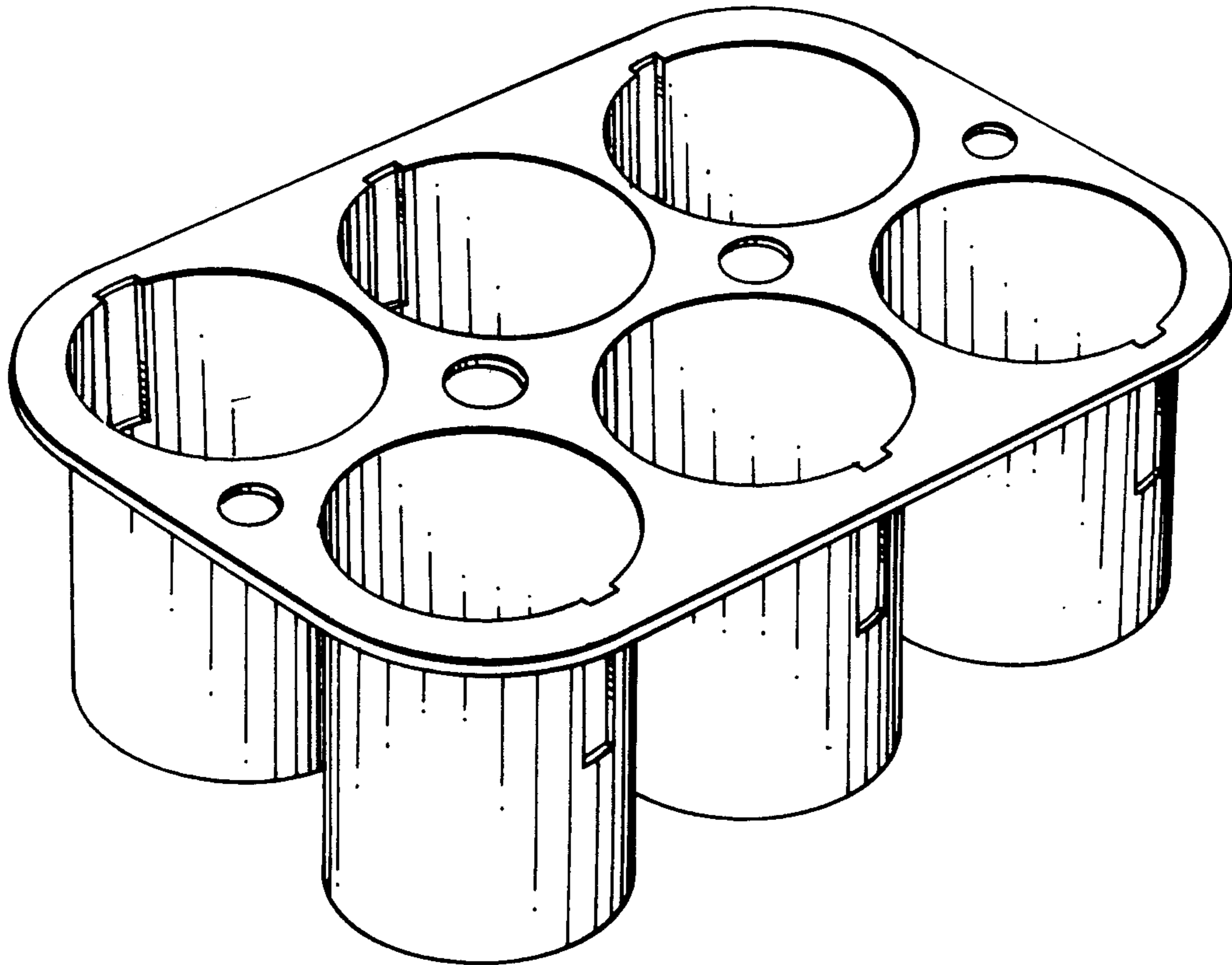
Primary Examiner—Joel Stearman
Assistant Examiner—Carmen H. Vales
Attorney, Agent, or Firm—Charles E. Cates

[57] CLAIM

The ornamental design for a latch hooking yarn dispenser, substantially as shown.

DESCRIPTION

FIG. 1 is a perspective view of a latch hooking yarn dispenser showing my new design; FIG. 2 is a top plan view thereof; FIG. 3 is a side elevational view thereof; FIG. 4 is a bottom plan view thereof; and FIG. 5 is an end elevational view thereof.



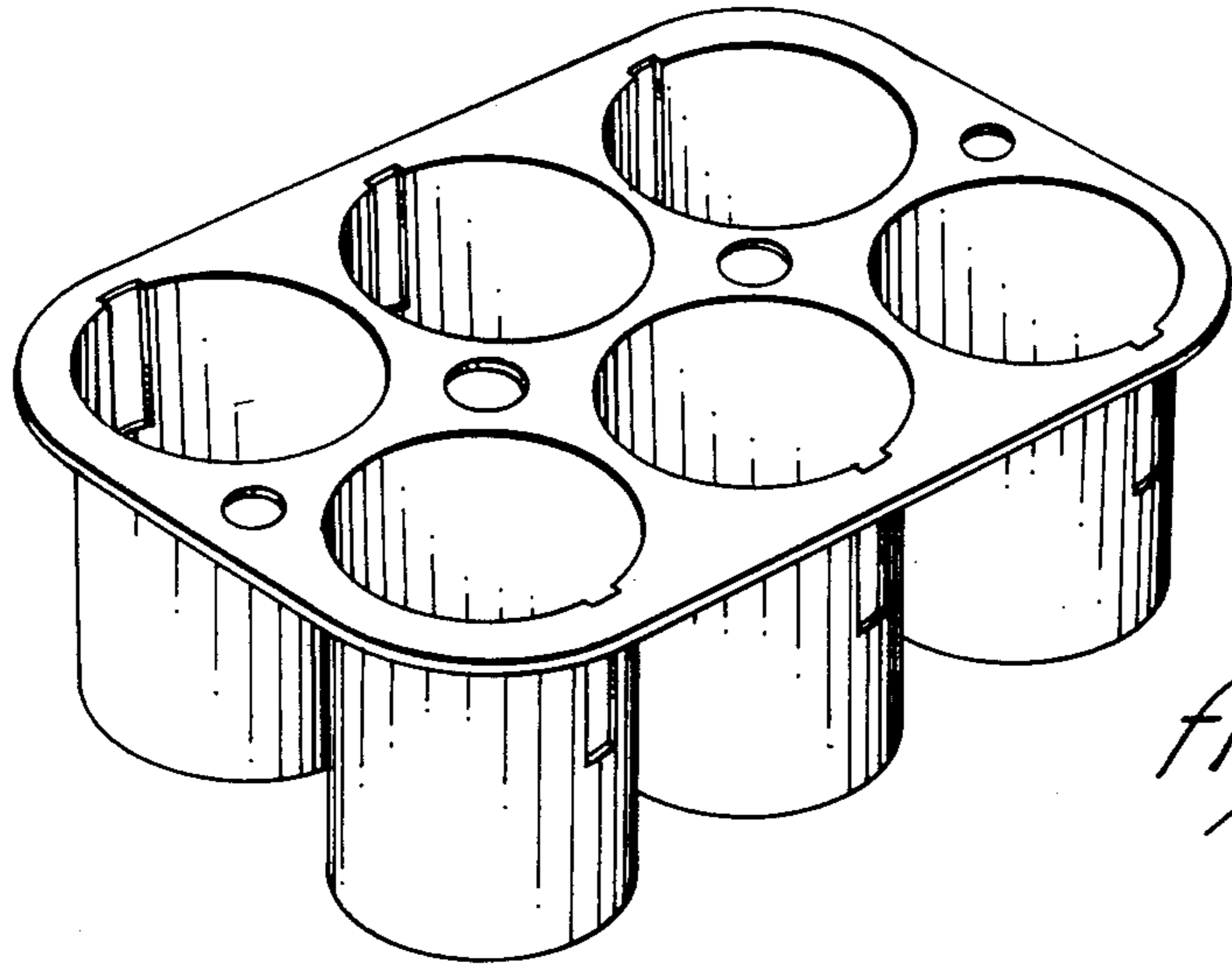


fig. 1

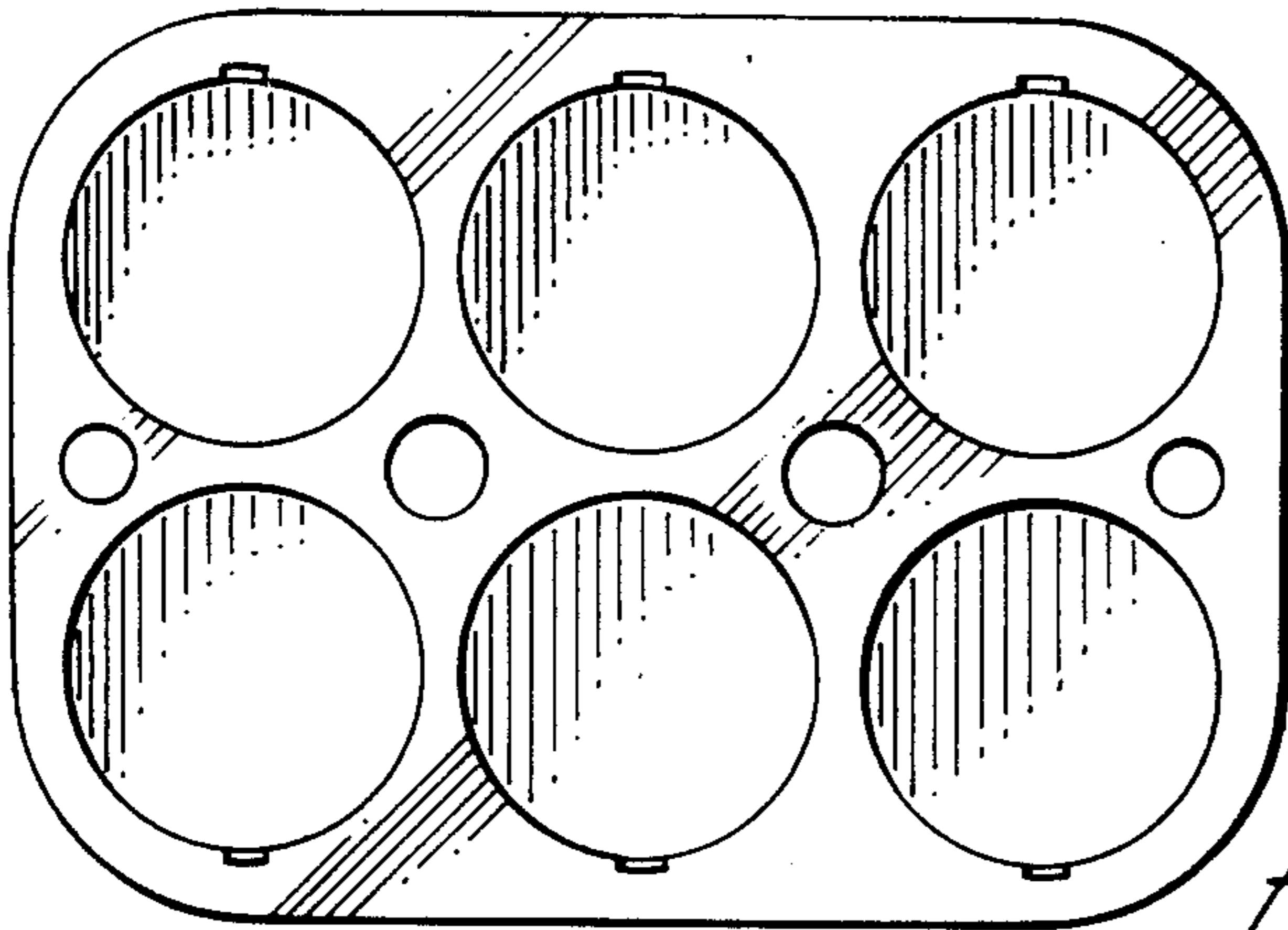


fig. 2

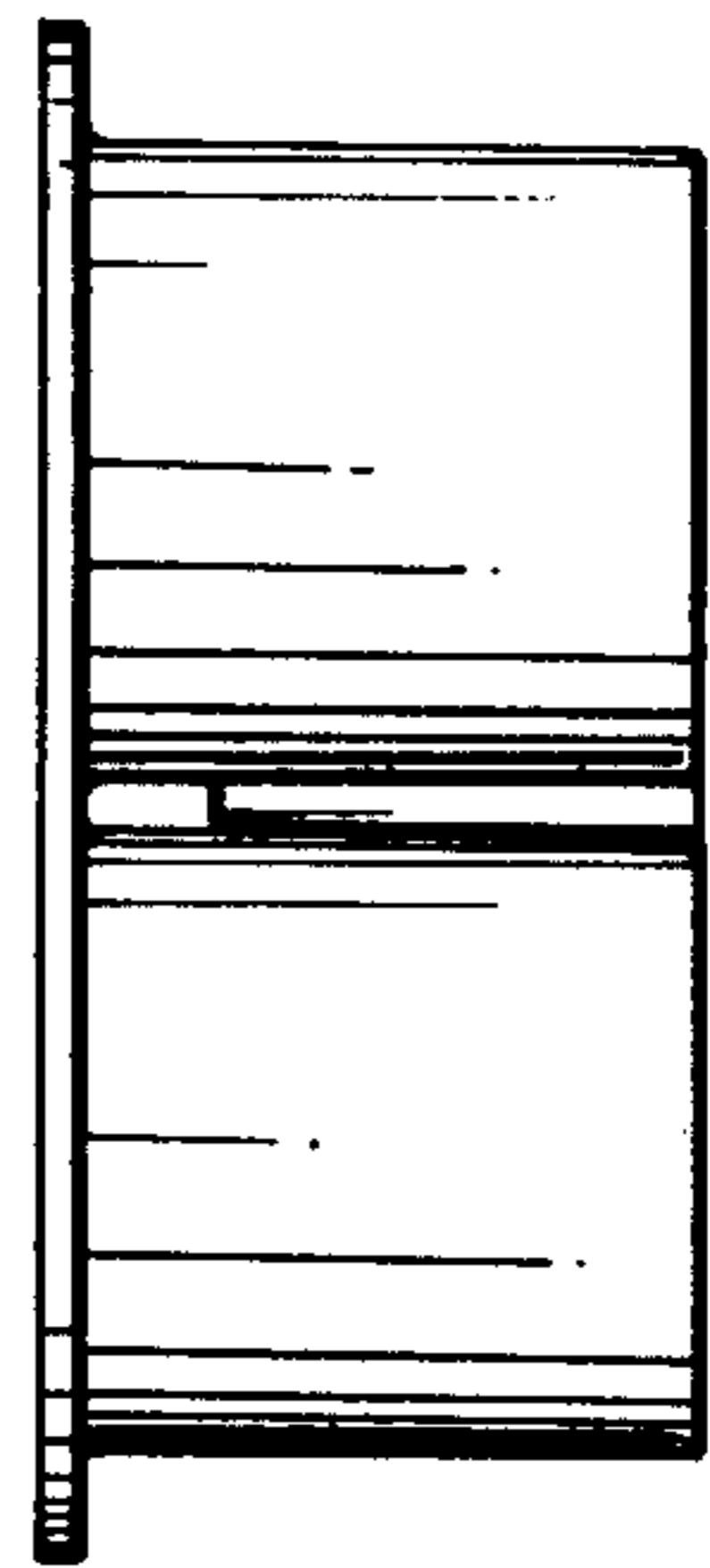


fig. 5

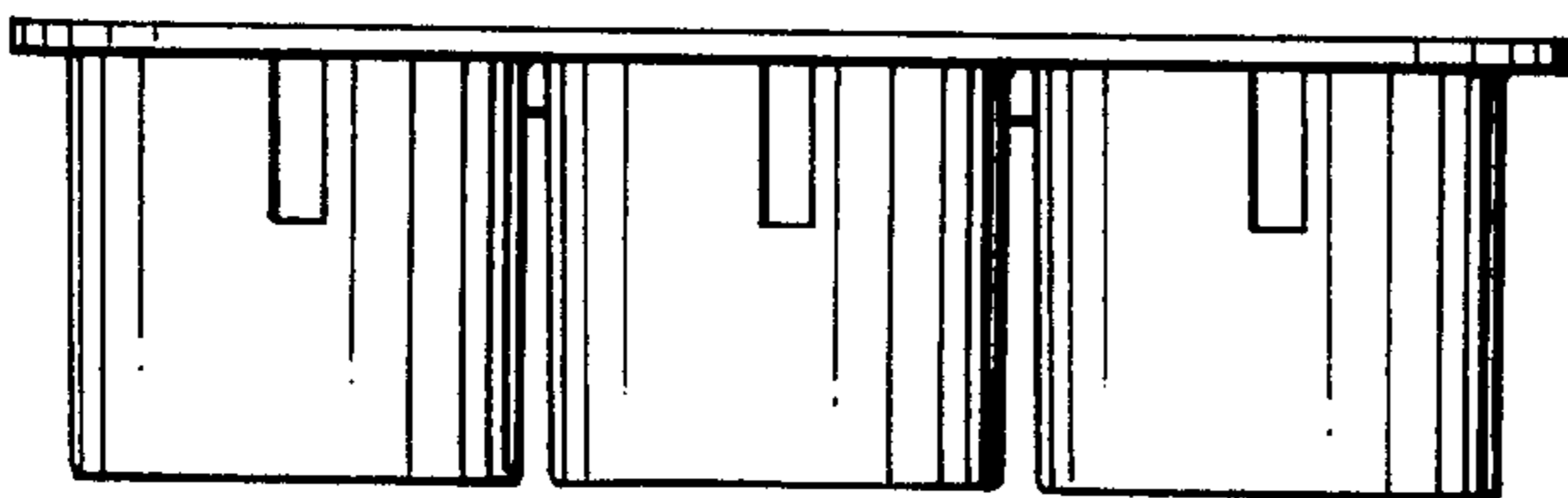


fig. 3

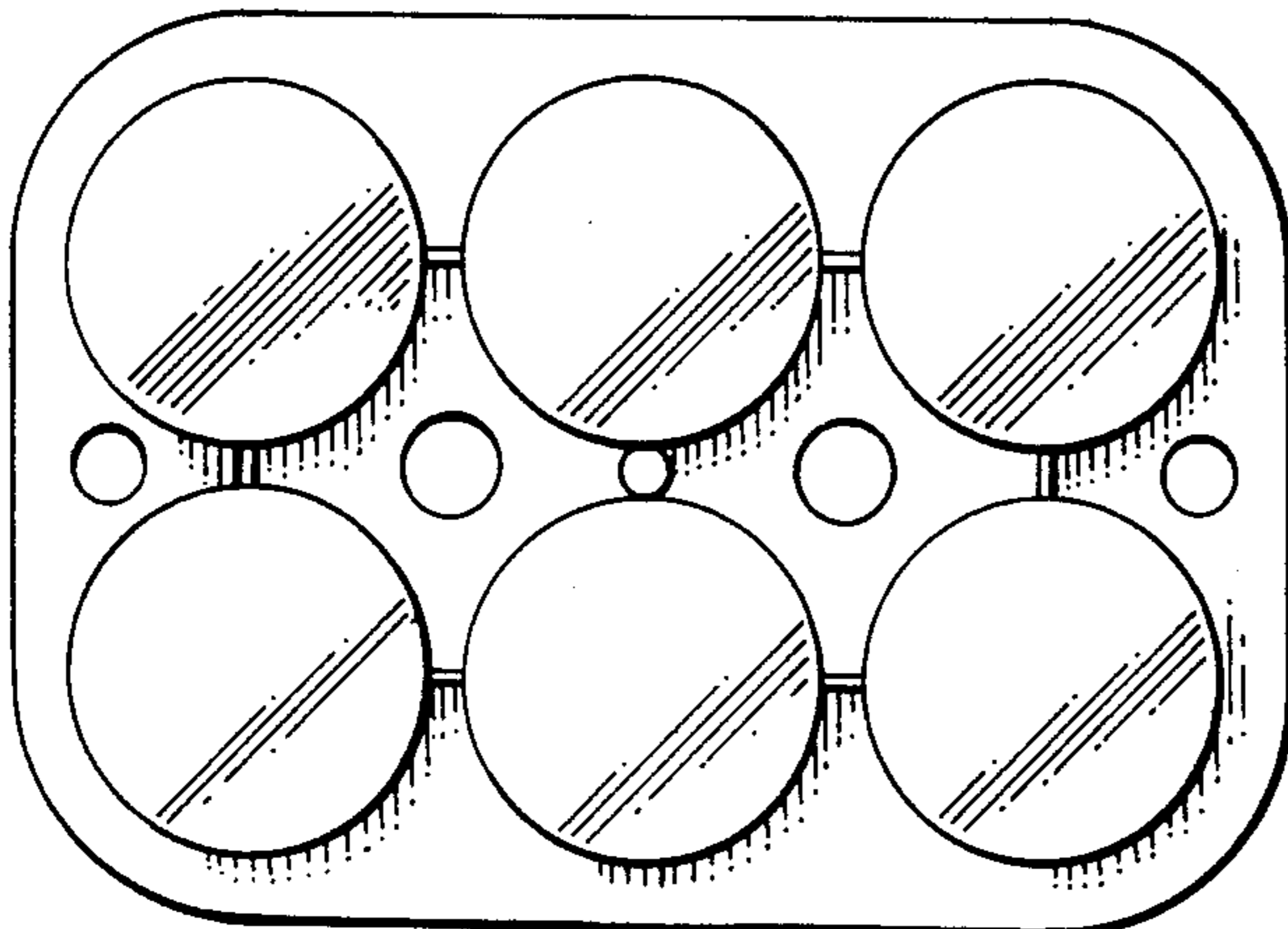


fig. 4