

[54] COMBINED PHONOGRAPH AND CASSETTE PLAYER AND RECORDER OR THE LIKE

[75] Inventor: Dieter Rams, Kronberg, Fed. Rep. of Germany

[73] Assignee: Braun Aktiengesellschaft, Frankfurt am Main, Fed. Rep. of Germany

[**] Term: 14 Years

[21] Appl. No.: 844,424

[22] Filed: Oct. 21, 1977

[30] Foreign Application Priority Data

Apr. 26, 1977 [DE] Fed. Rep. of Germany 738607

[51] Int. Cl. D14-01

[52] U.S. Cl. D14/20; D14/5; D14/20

[58] Field of Search D14/1, 2, 5, 6, 14, D14/17, 20, 25, 27, 72, 76, 96, 99

[56] References Cited

U.S. PATENT DOCUMENTS

D. 240,659 7/1976 Araki D14/5
D. 251,557 4/1979 Rams D14/14

OTHER PUBLICATIONS

Schöner Wohnen, 12-12-76, p. 159.

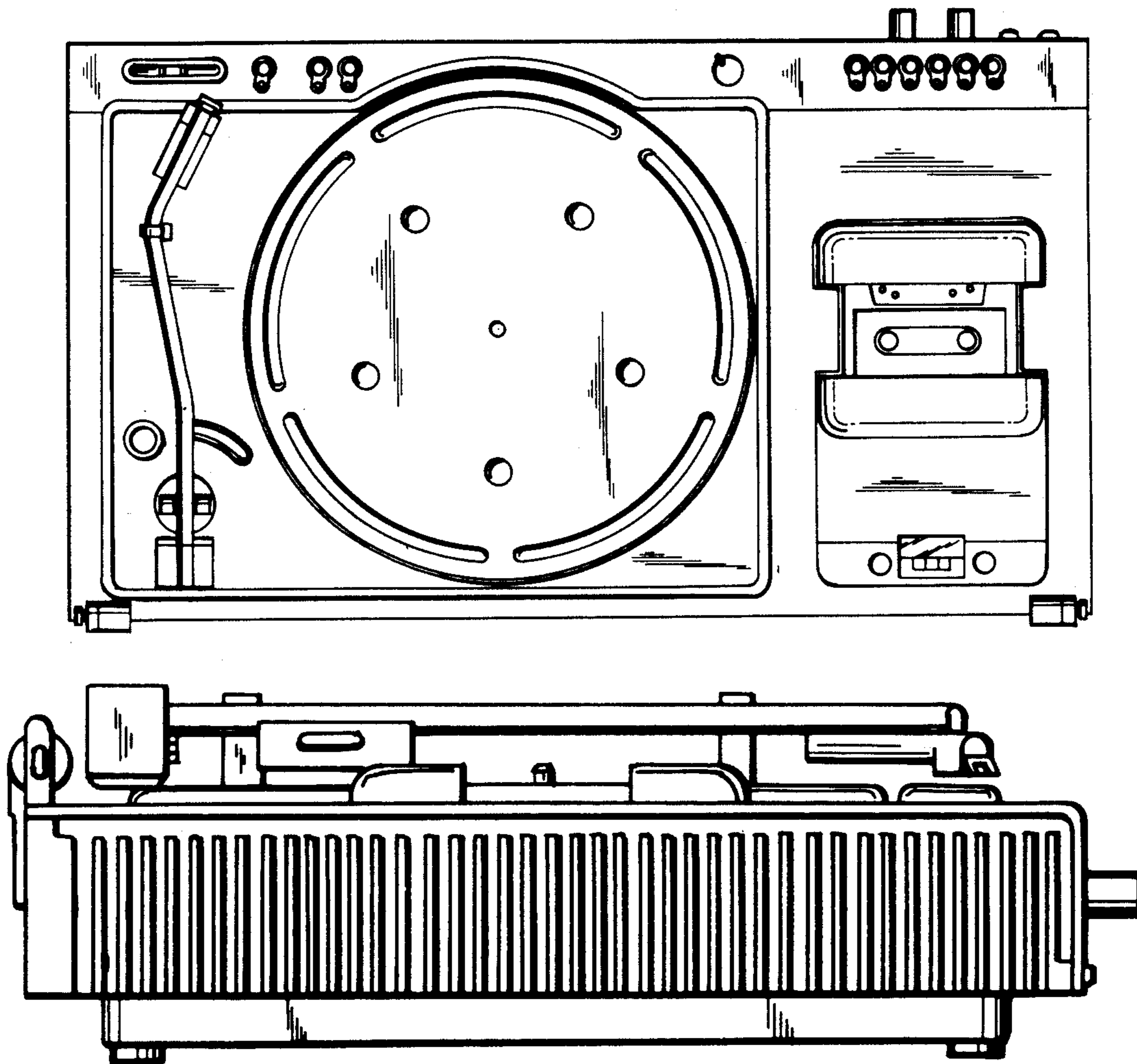
Primary Examiner—Joel Stearman
Assistant Examiner—Jane E. Corrigan
Attorney, Agent, or Firm—Michael J. Striker

[57] CLAIM

The ornamental design for a combined phonograph and cassette player and recorder or the like, substantially as shown.

DESCRIPTION

FIG. 1 is a front elevational view of a combined phonograph and cassette player and recorder or the like showing my new design;
FIG. 2 is a right side elevational view;
FIG. 3 is a left side elevational view;
FIG. 4 is a rear elevational view;
FIG. 5 is a bottom plan view; and
FIG. 6 is a top plan view.



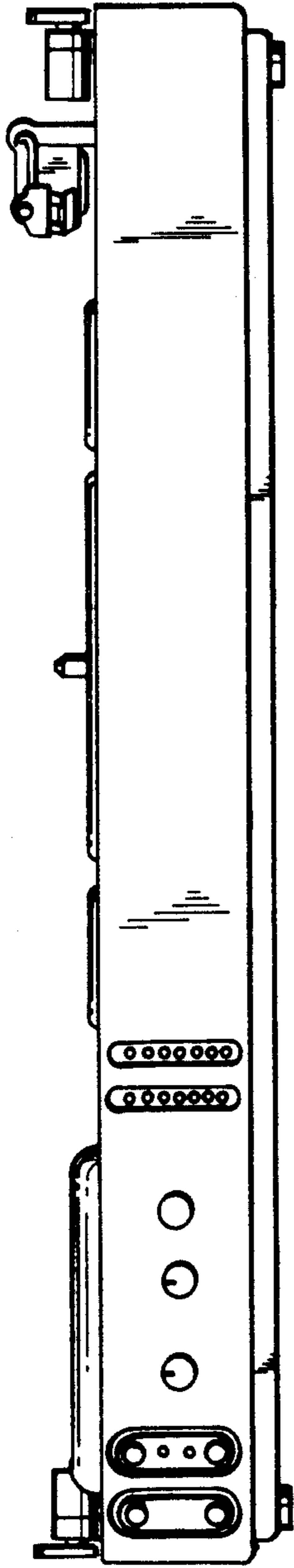


FIG. 1

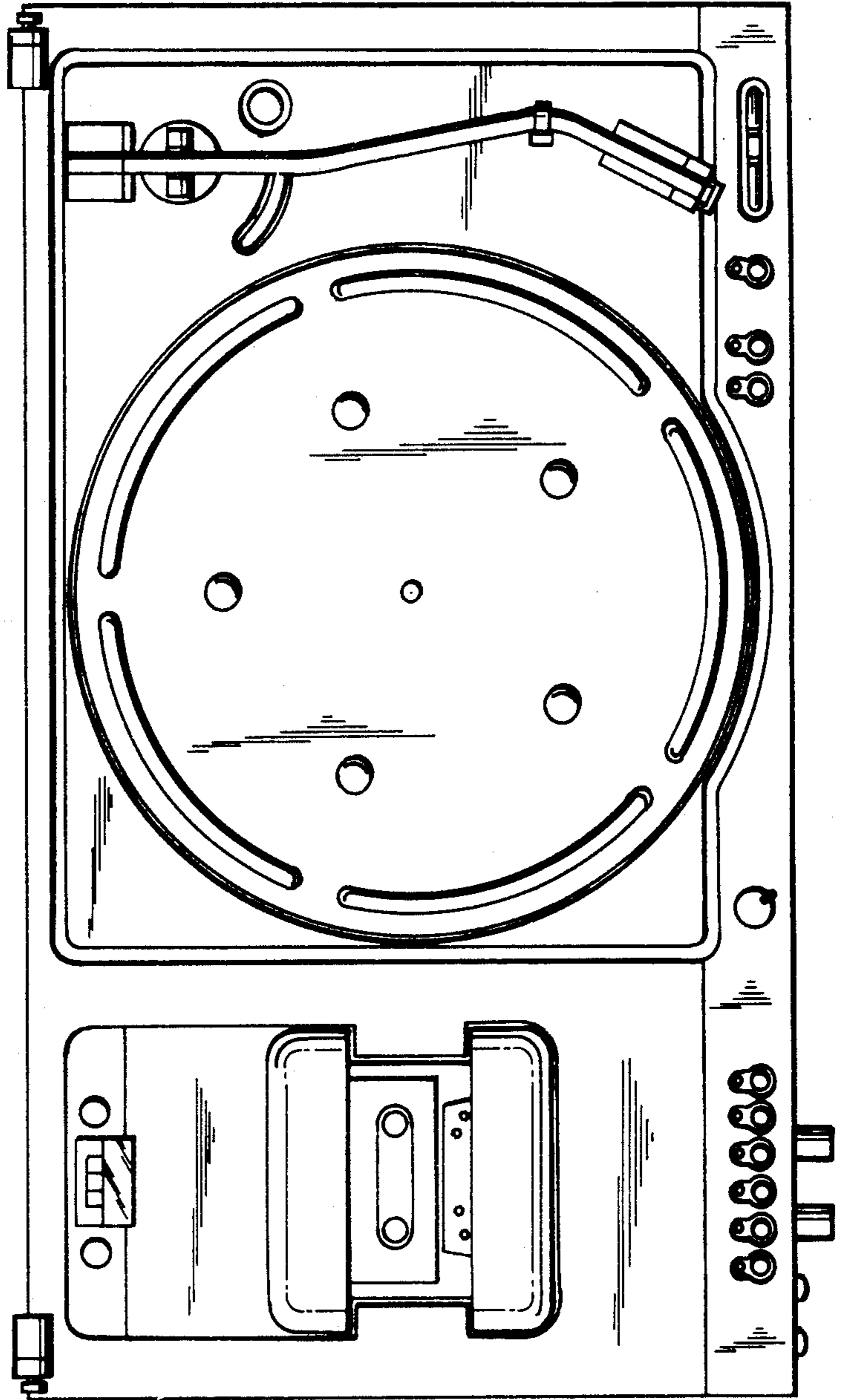


FIG. 6

FIG. 2

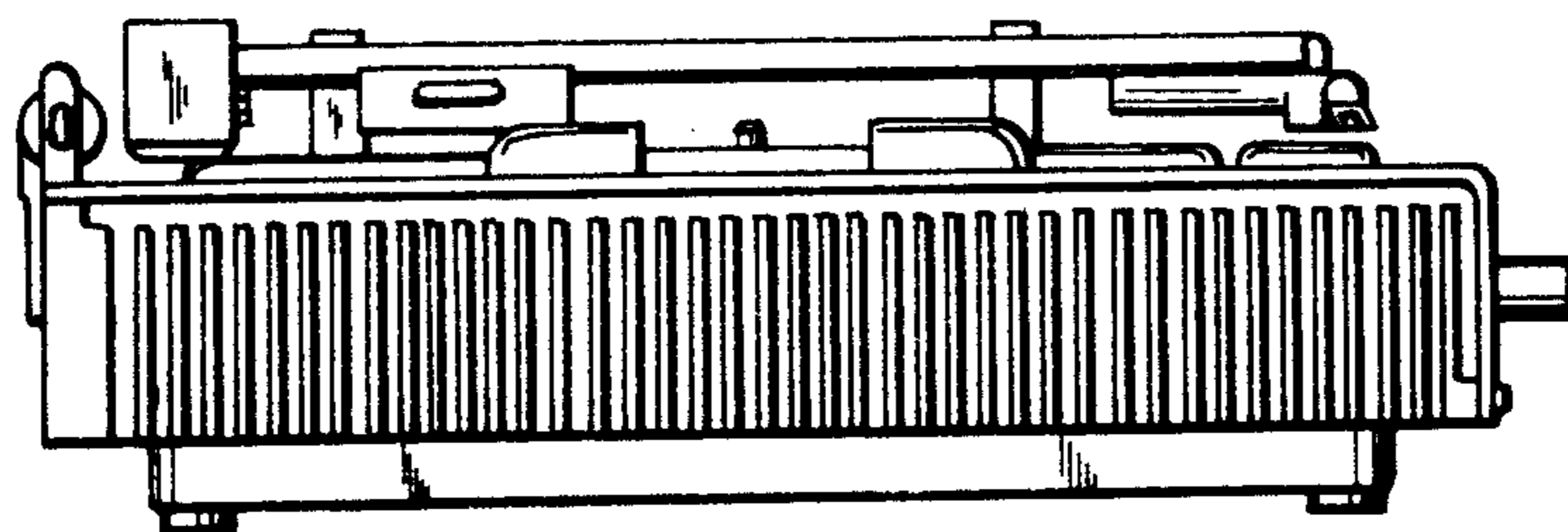
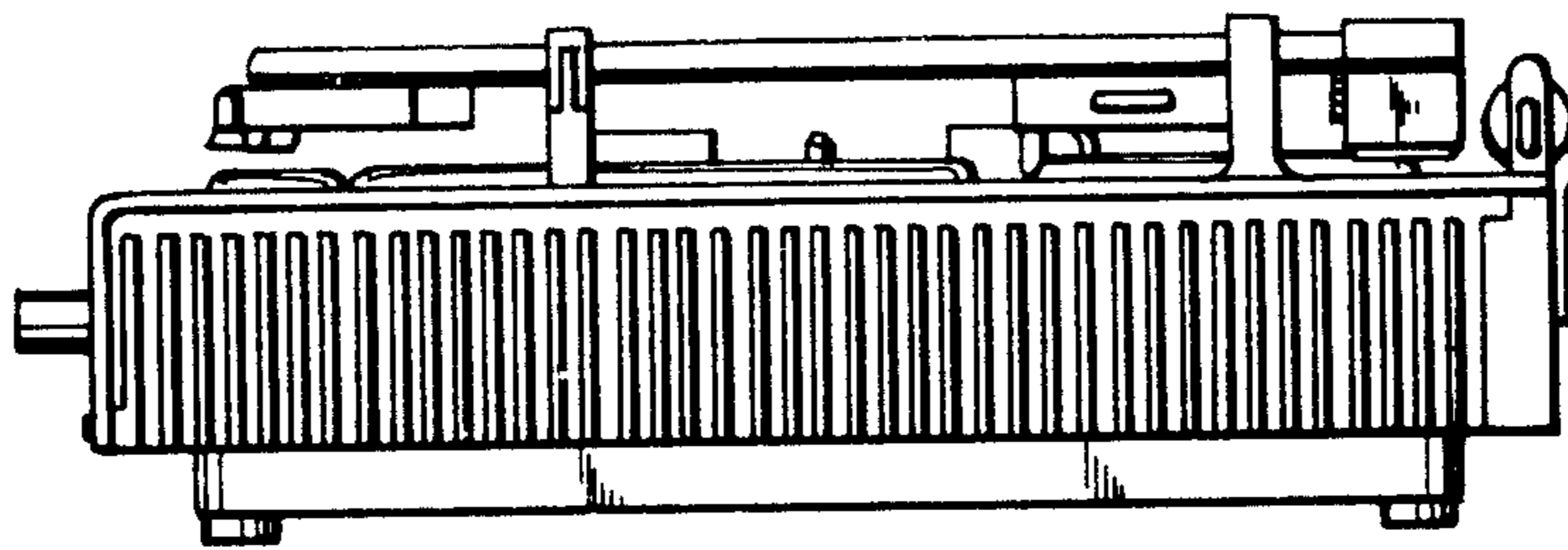


FIG. 3

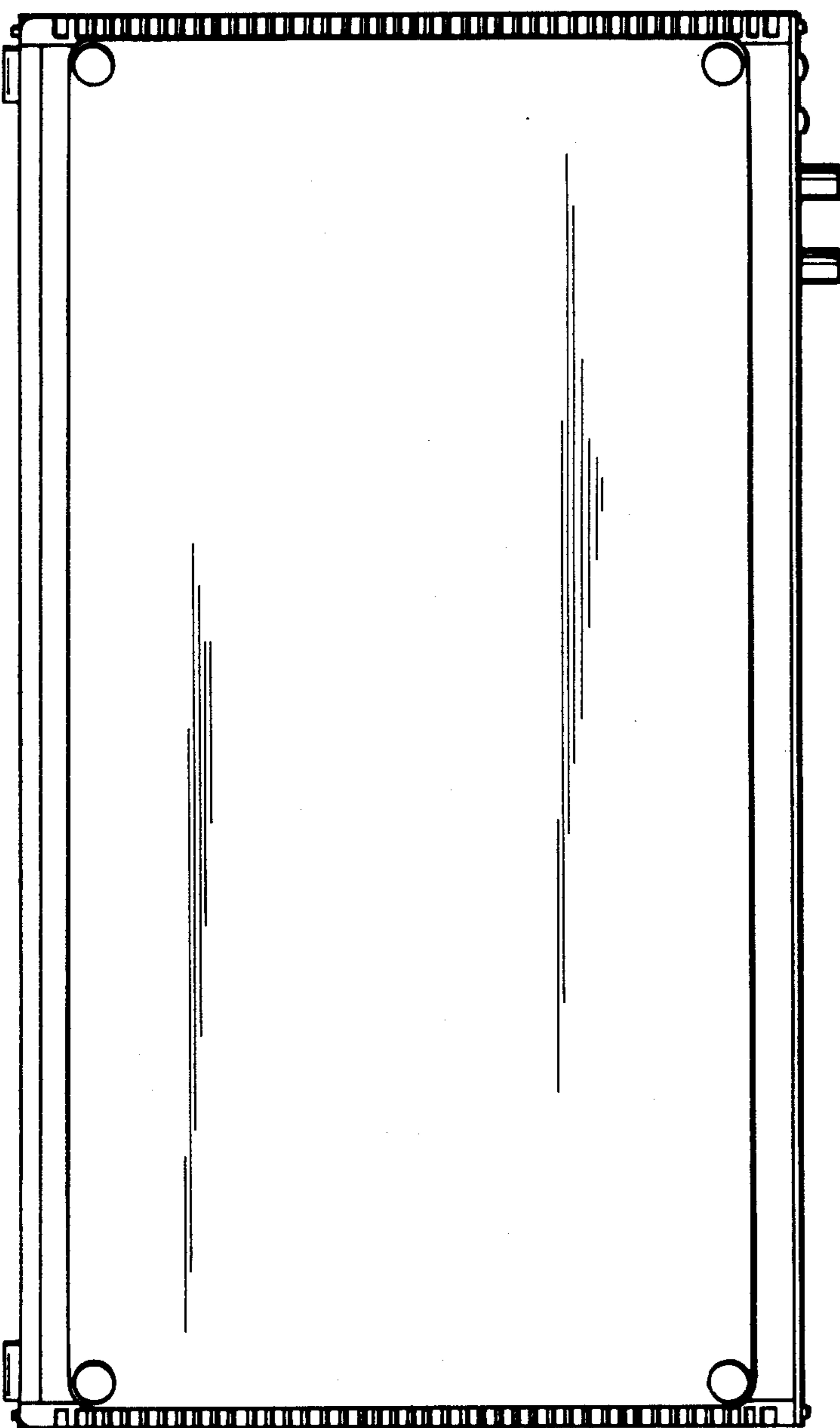


FIG. 5

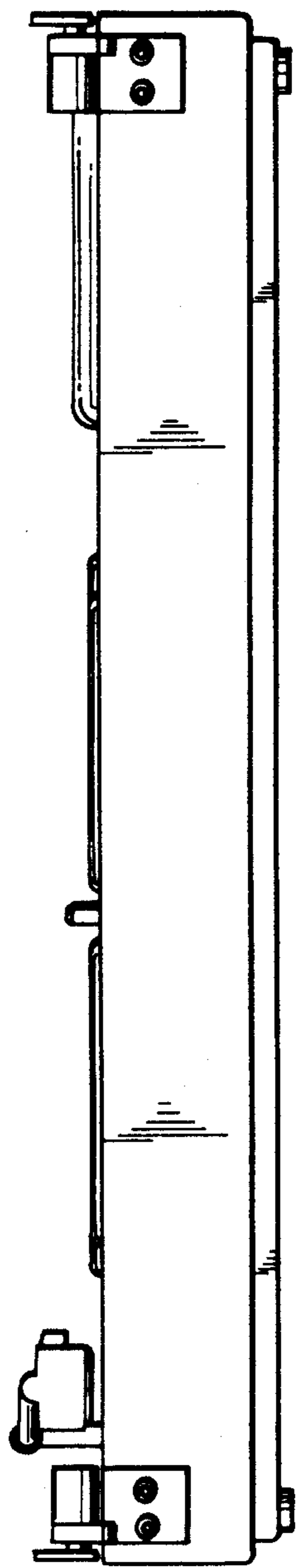


FIG. 4