

[54] MOTOR CYCLE PARCEL CARRIER

[76] Inventors: Juri Pold; Ilmar Pold, both of 24 Ozone St., Alberton, Australia, 5054

[\*\*] Term: 14 Years

[21] Appl. No.: 885,457

[22] Filed: Mar. 10, 1978

[51] Int. Cl. .... D12-11  
[52] U.S. Cl. .... D12/158  
[58] Field of Search ..... D12/158; 224/32 A, 39

[56] References Cited  
PUBLICATIONS

Cycle World, 9/76, p. 32, Luggage Rack, bottom of page.  
M. C. Supply Co. Catalog, 1968-1969, p. 33, Luggage Carrier MC1252, second box down from top left side of page.

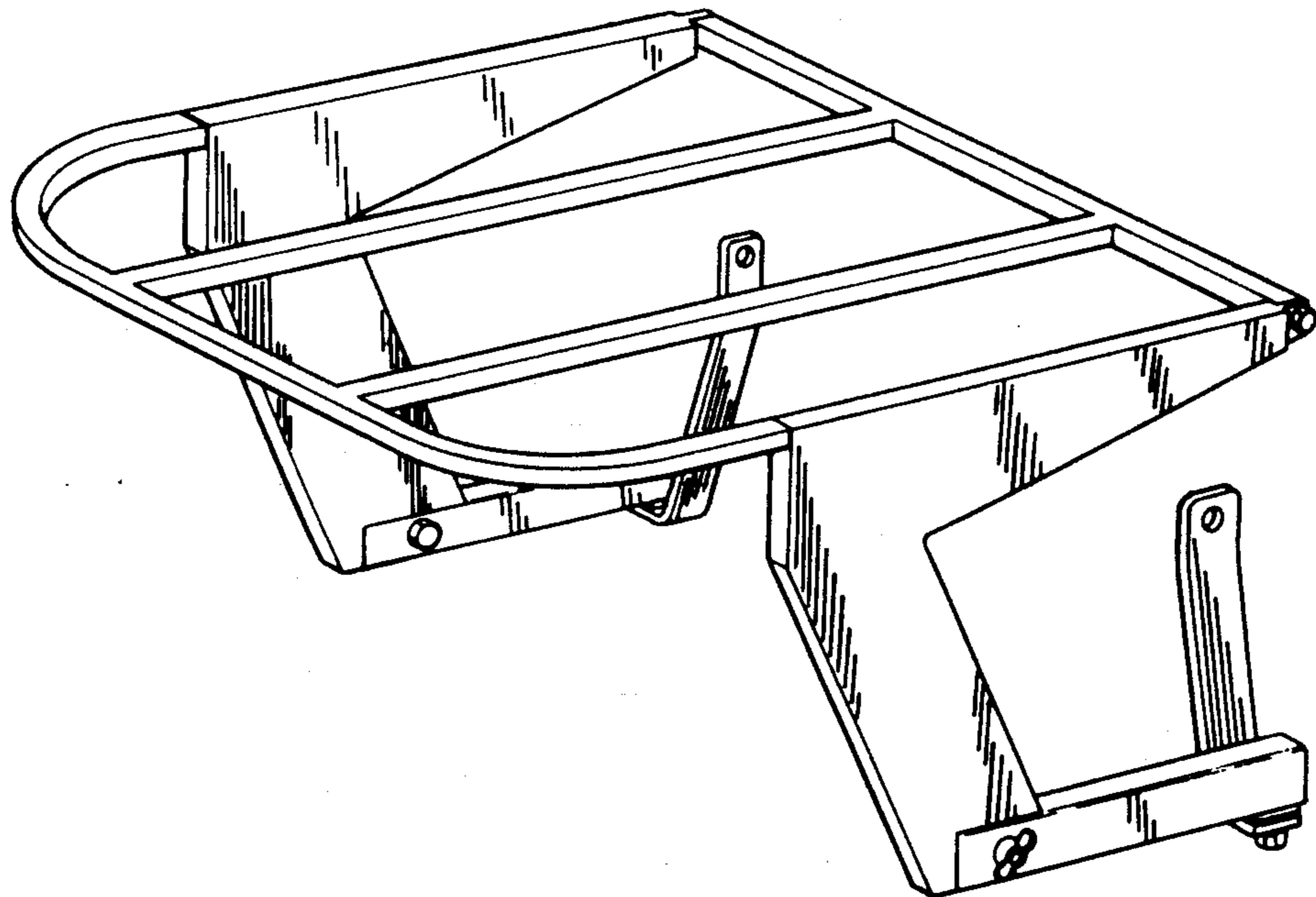
Primary Examiner—James M. Gandy  
Attorney, Agent, or Firm—Oldham, Oldham, Hudak & Weber

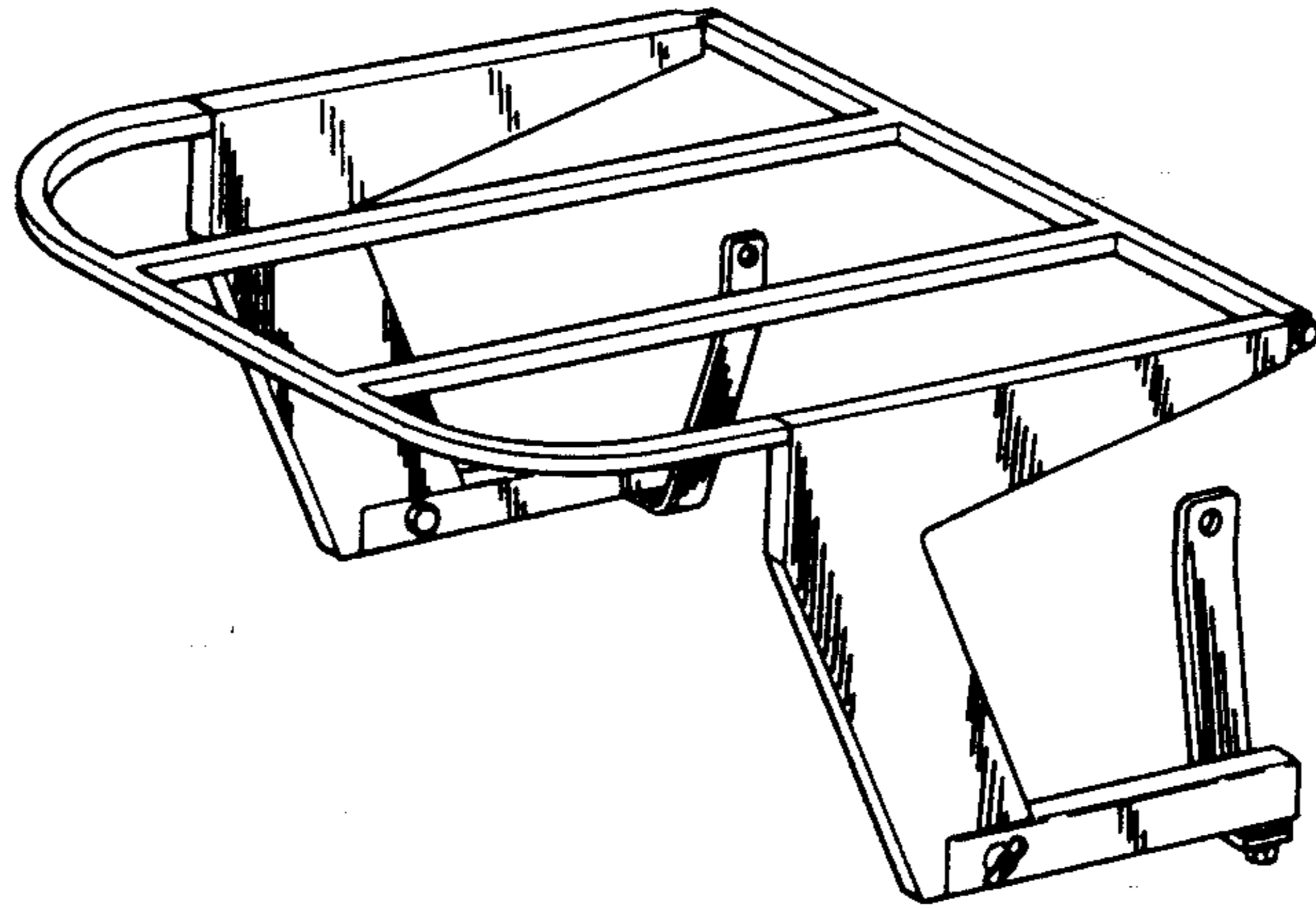
[57] CLAIM

The ornamental design for a motor cycle parcel carrier, as shown.

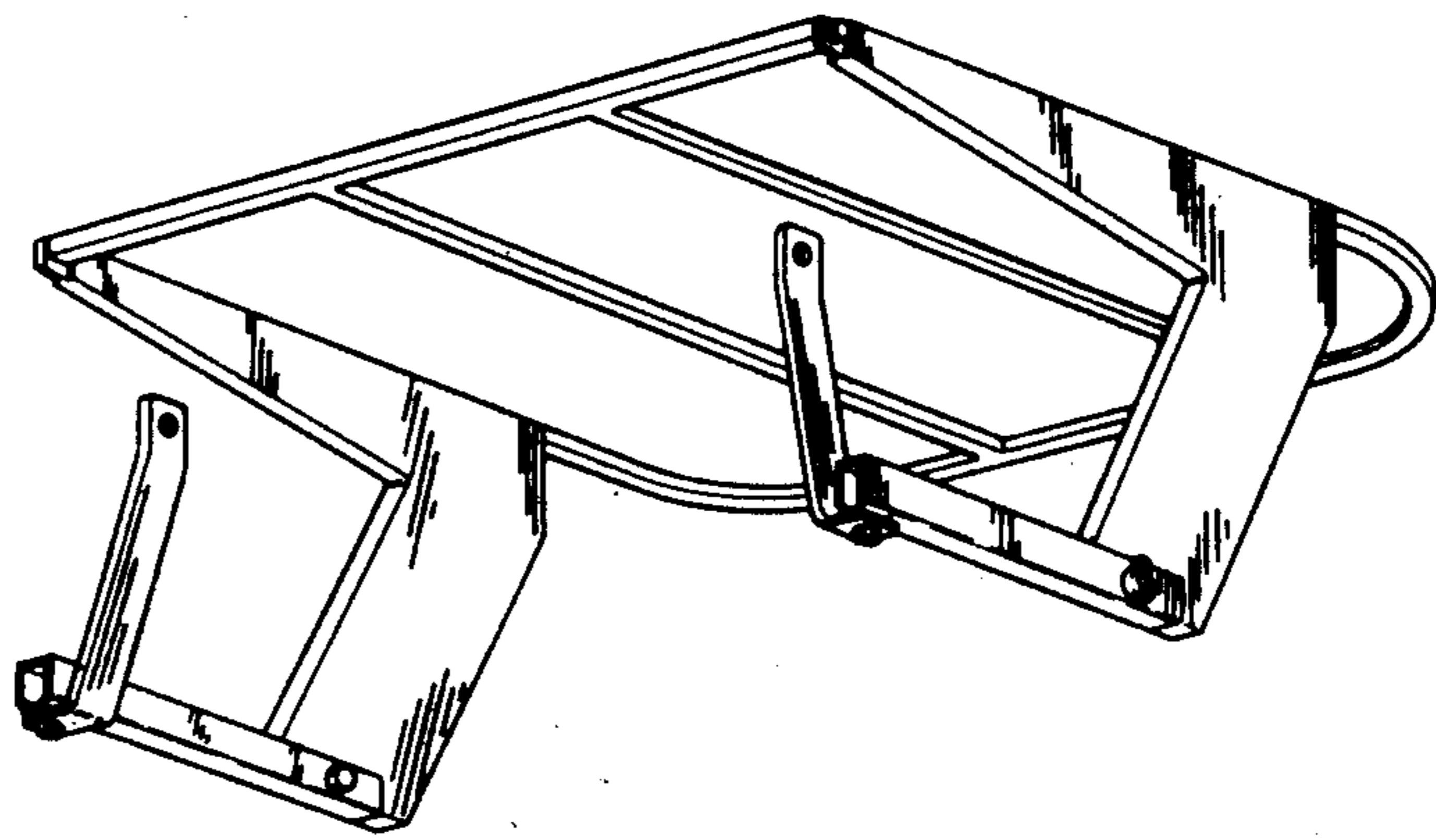
DESCRIPTION

FIG. 1 is a top rear perspective view of a motorcycle parcel carrier showing our new design; and FIG. 2 is a bottom, front perspective view thereof.





**FIG 1**



**FIG 2**