

[54] TRACTION PLATE FOR VEHICLES

[75] Inventor: Guy LaPointe, Montreal, Canada

[73] Assignee: G.R.S. Tool and Die Inc., Montreal, Canada

[**] Term: 14 Years

[21] Appl. No.: 659

[22] Filed: Jan. 2, 1979

[51] Int. Cl. D12-16

[52] U.S. Cl. D12/154

[58] Field of Search D12/154, 153, 217, 155; 152/225 R, 227; 238/14

[56] References Cited

U.S. PATENT DOCUMENTS

D. 196,773 10/1963 Carter D12/217

Primary Examiner—James M. Gandy
Attorney, Agent, or Firm—Raymond A. Robic

[57] CLAIM

The ornamental design for a traction plate for vehicles, substantially as shown and described.

DESCRIPTION

FIG. 1 is a top perspective view of a traction plate for vehicles showing my new design; FIG. 2 is a bottom perspective view thereof; and FIG. 3 is a side elevational view thereof, the other side being substantially identical thereto.

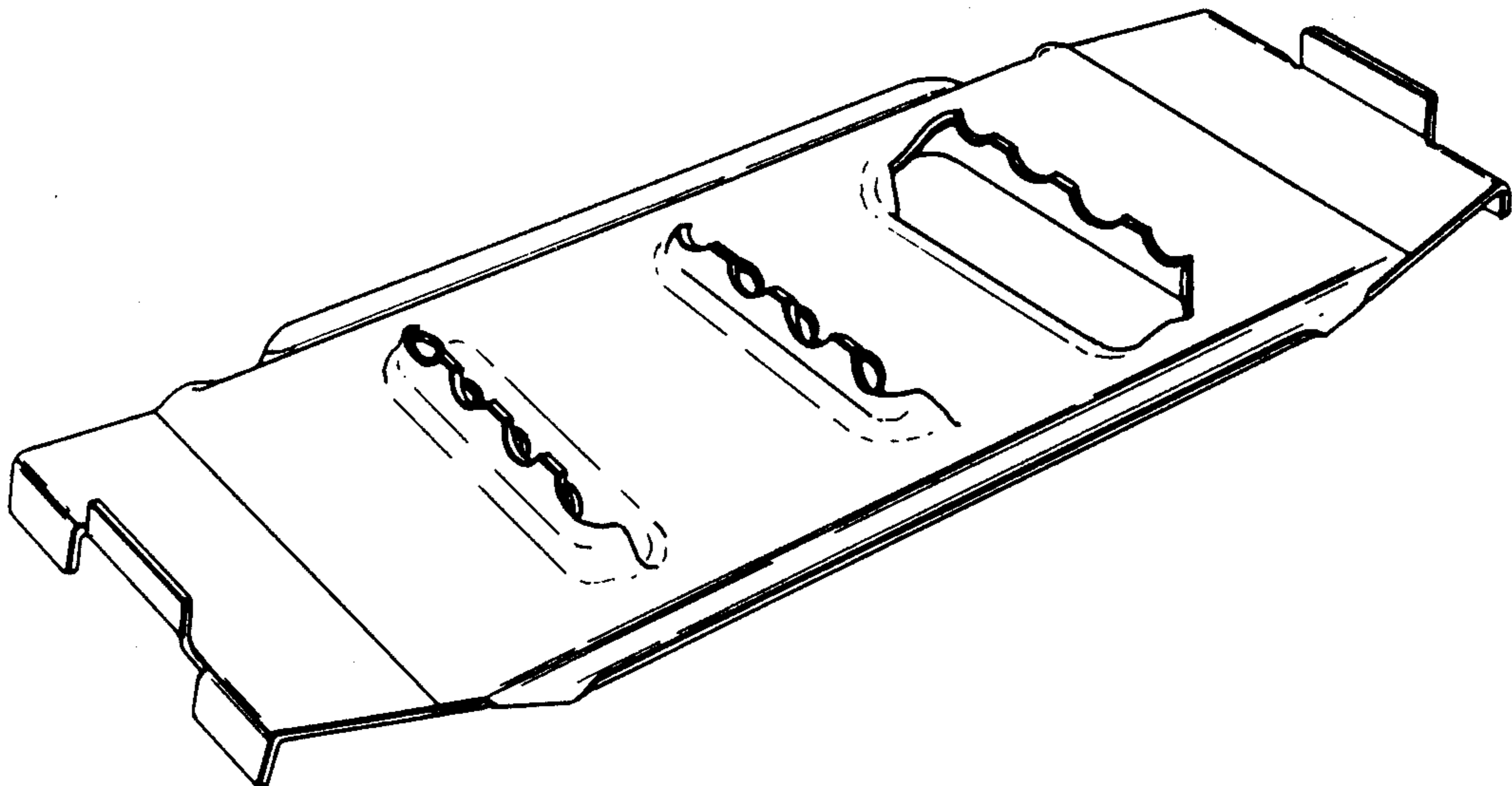


Fig. 1

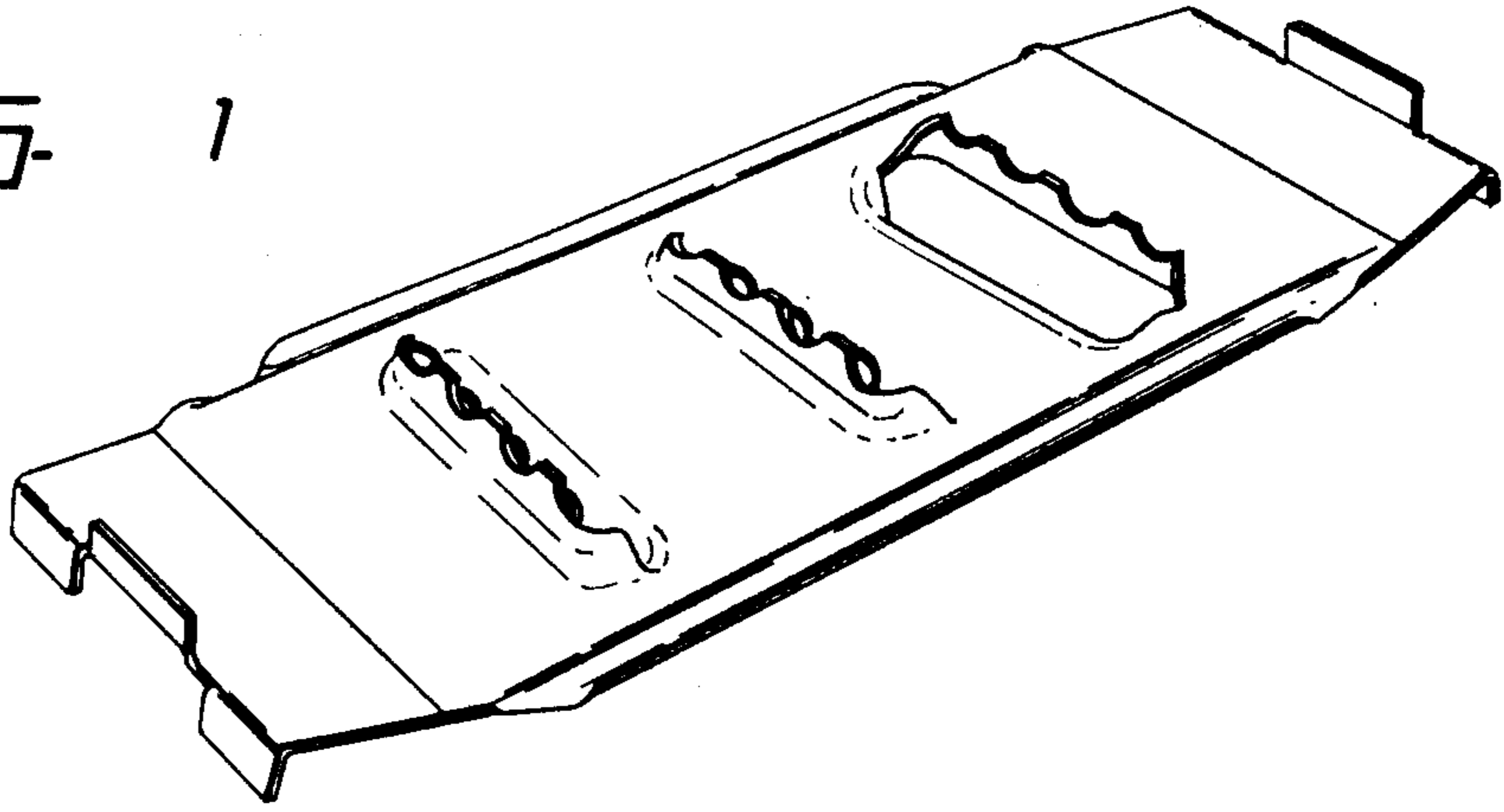


Fig. 2

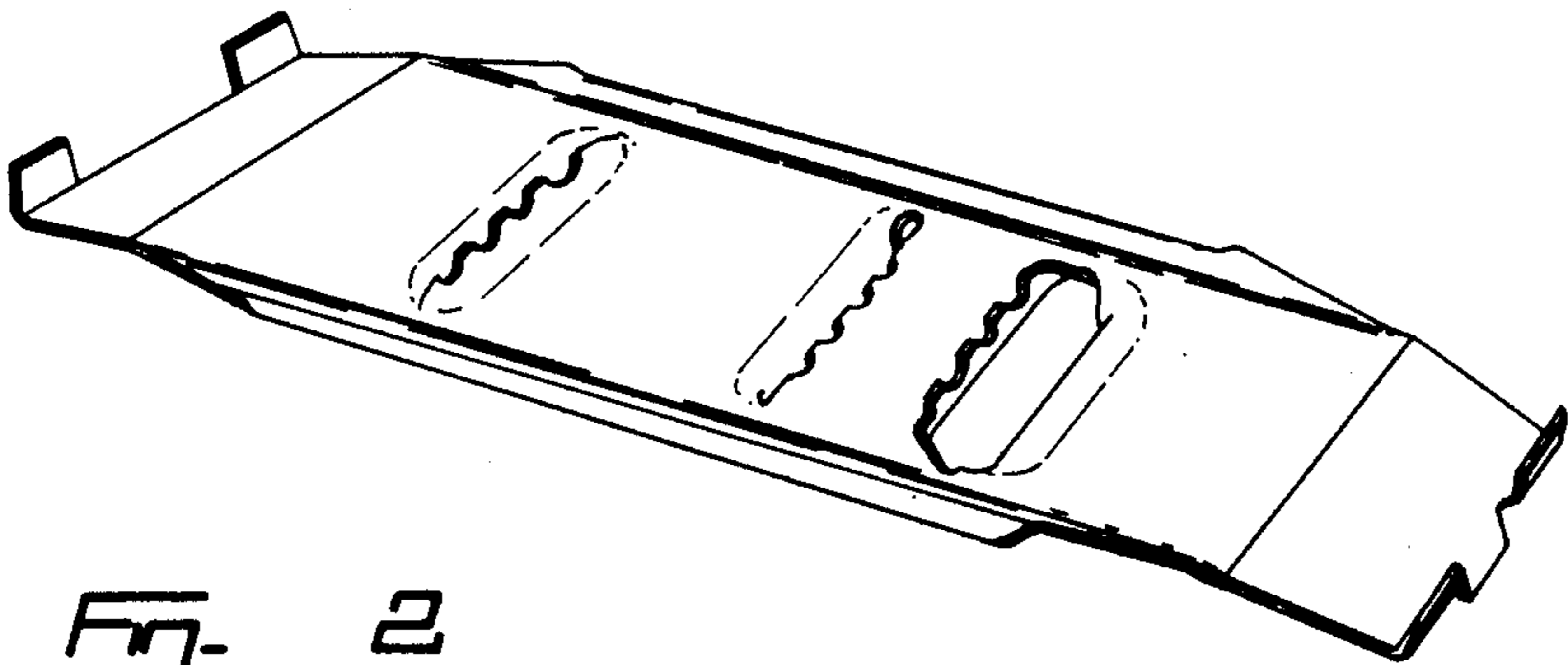


Fig. 3

