

[54] GOLF CAR

[75] Inventor: Kenji Ekuan, Tokyo, Japan

[73] Assignee: Yamaha Hatsudoki Kabushiki Kaisha, Iwata, Japan

[**] Term: 14 Years

[21] Appl. No.: 839,790

[22] Filed: Oct. 6, 1977

[30] Foreign Application Priority Data

Apr. 8, 1977 [JP] Japan 52-13224

[51] Int. Cl. D12-14

[52] U.S. Cl. D12/16

[58] Field of Search D12/16; 296/28 R, 31 P; 280/DIG. 5

[56] References Cited

U.S. PATENT DOCUMENTS

D. 195,551	7/1963	McRae	D12/16
D. 205,504	8/1966	Gale	D12/16
D. 245,592	8/1977	Davidson	D12/16

Primary Examiner—James M. Gandy
Attorney, Agent, or Firm—William L. Androlia

[57] CLAIM

The ornamental design for a golf car, substantially as shown and described.

DESCRIPTION

FIG. 1 is a perspective view of the golf car showing my new design;
FIG. 2 is a left-side elevational view thereof;
FIG. 3 is a front elevational view thereof;
FIG. 4 is a right-side elevational view thereof;
FIG. 5 is a rear elevational view thereof; and
FIG. 6 is a top plan view thereof.

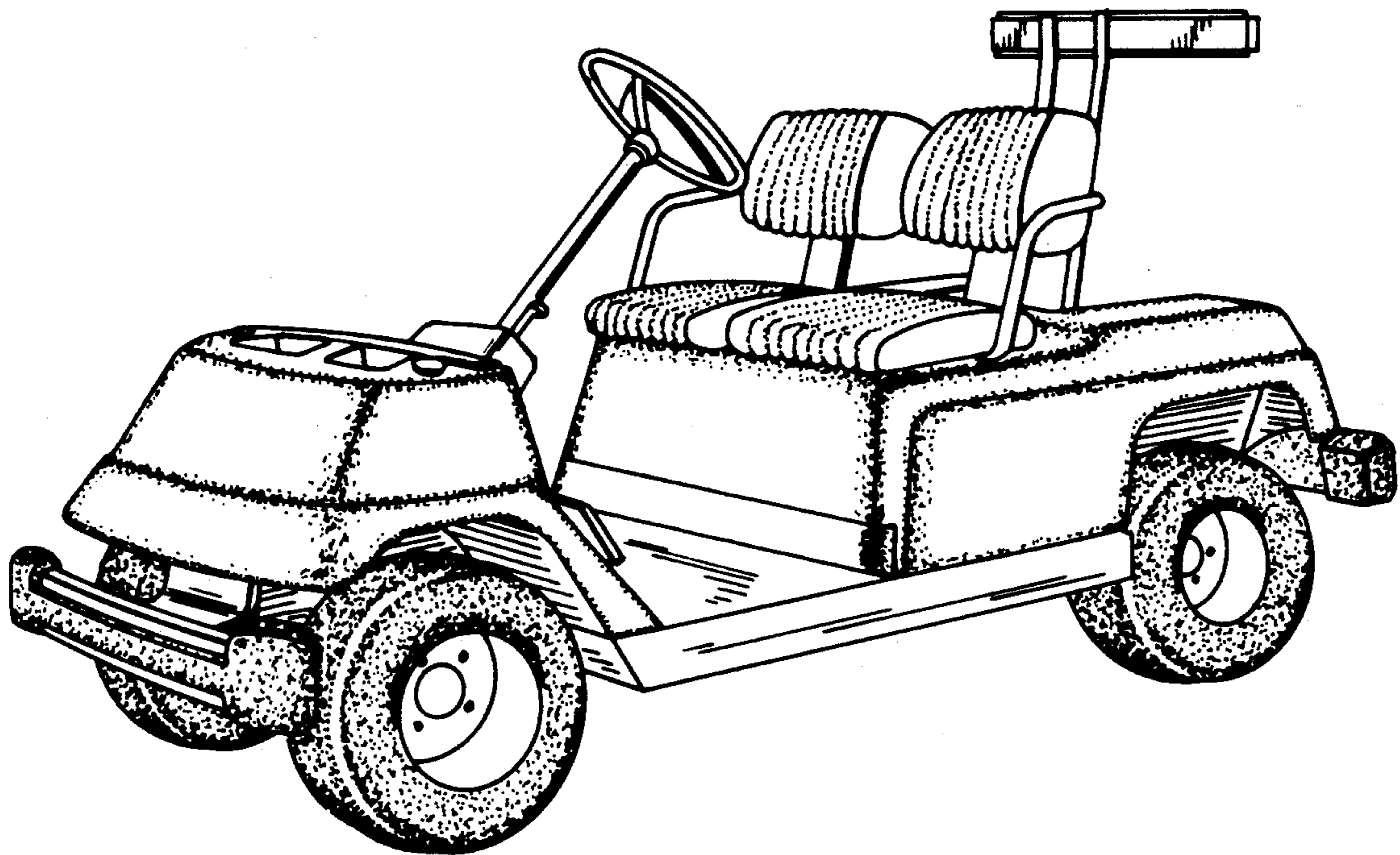


Fig. 1

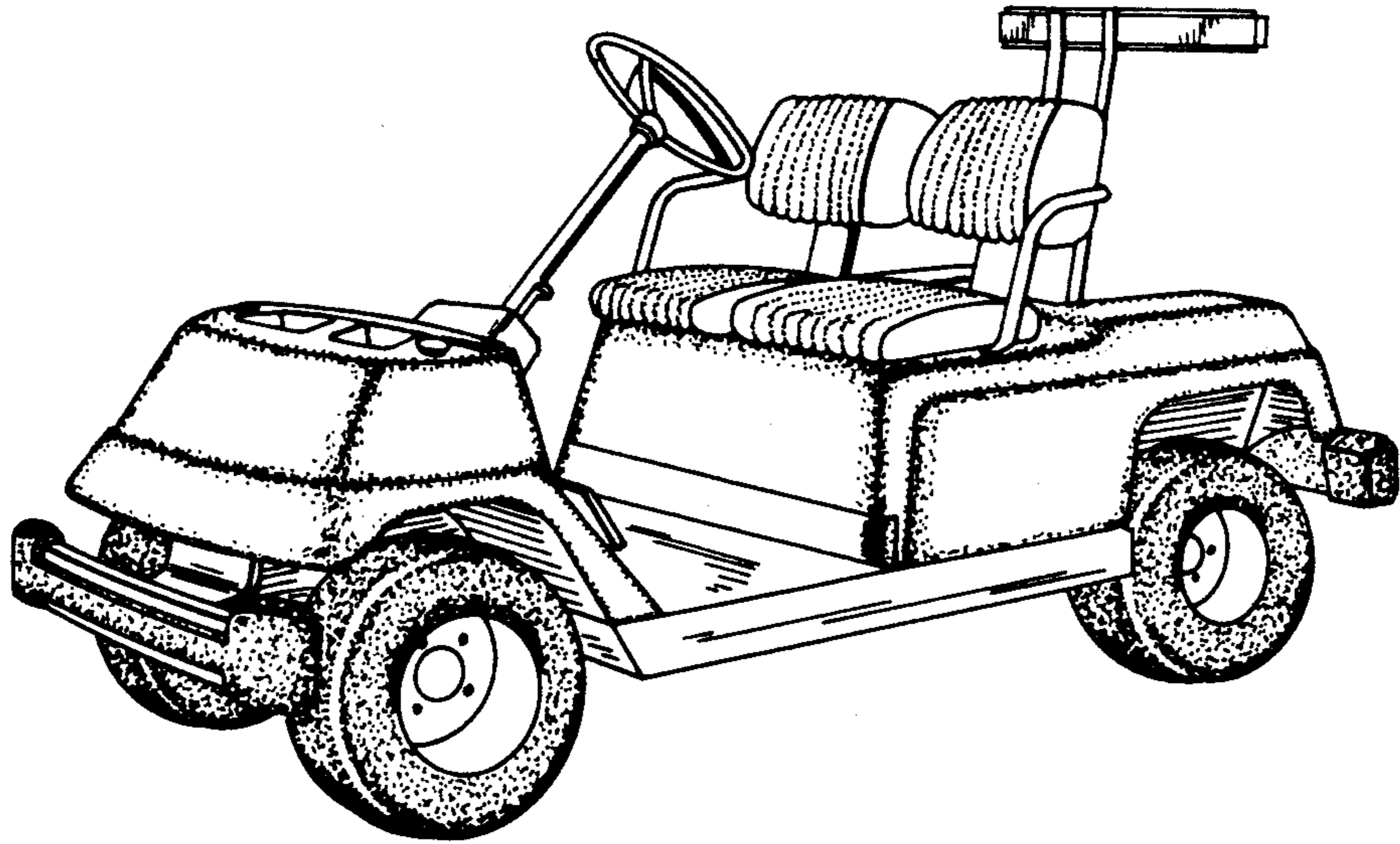


Fig. 2

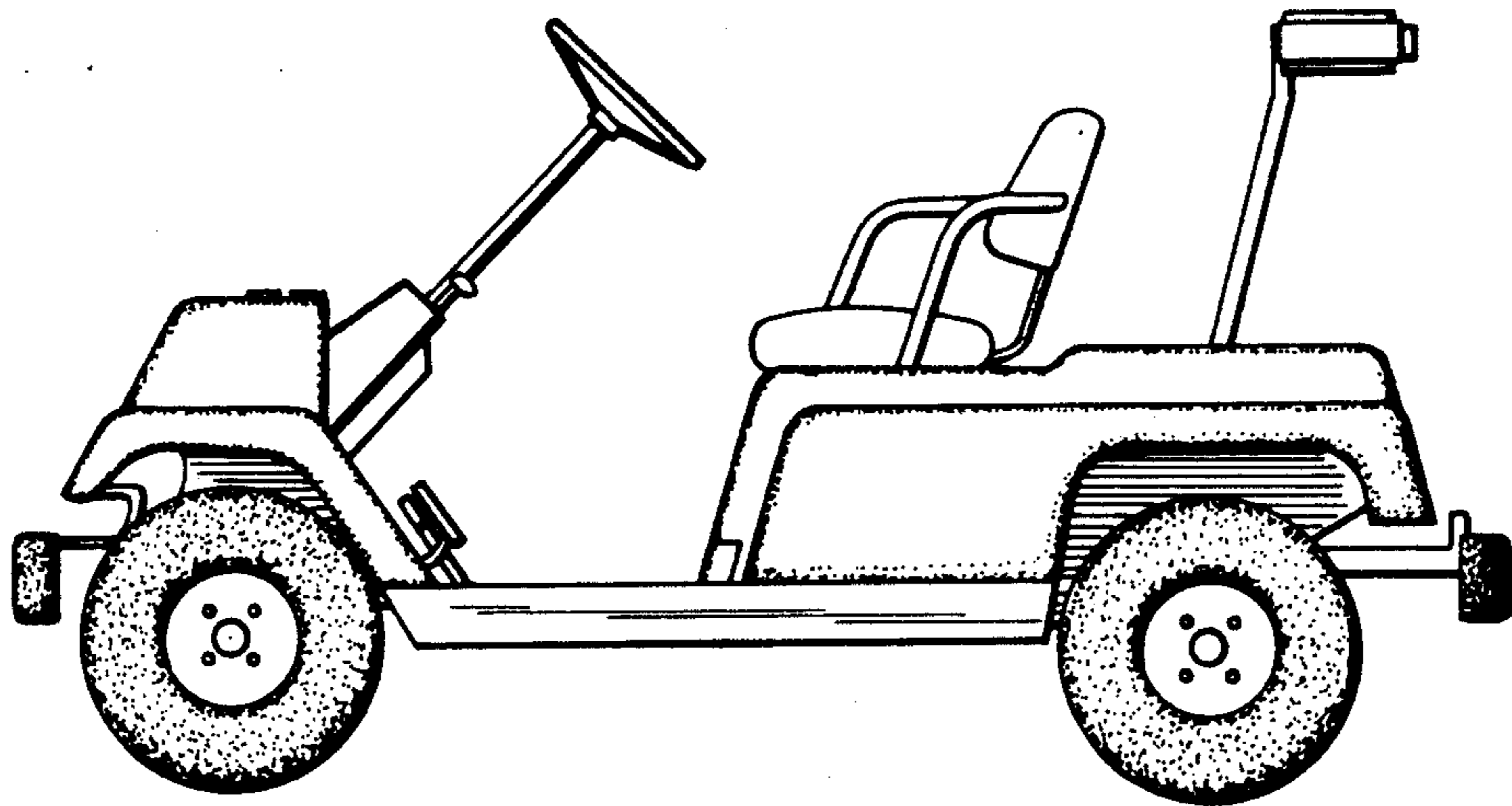


FIG. 3

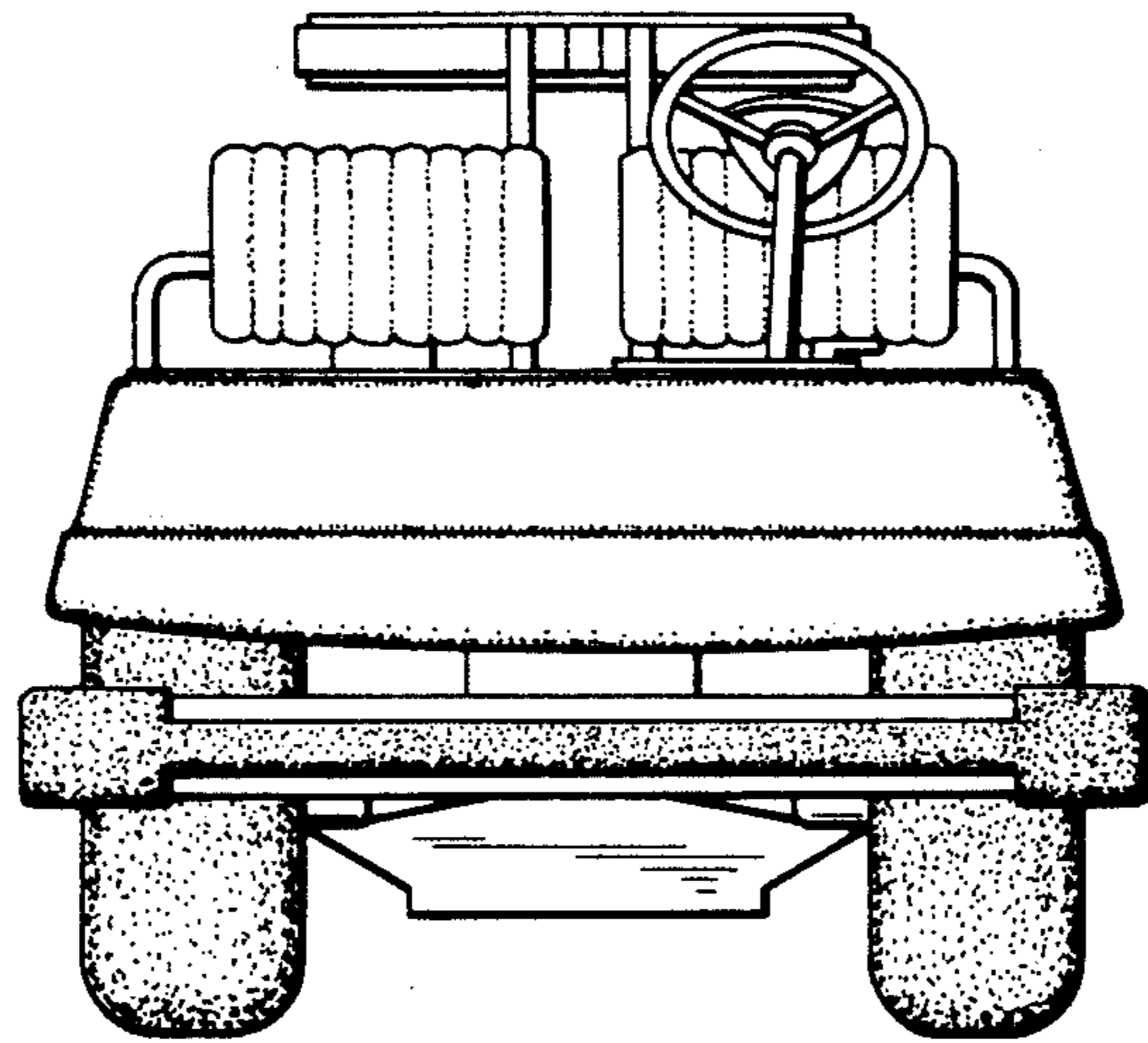


FIG. 4

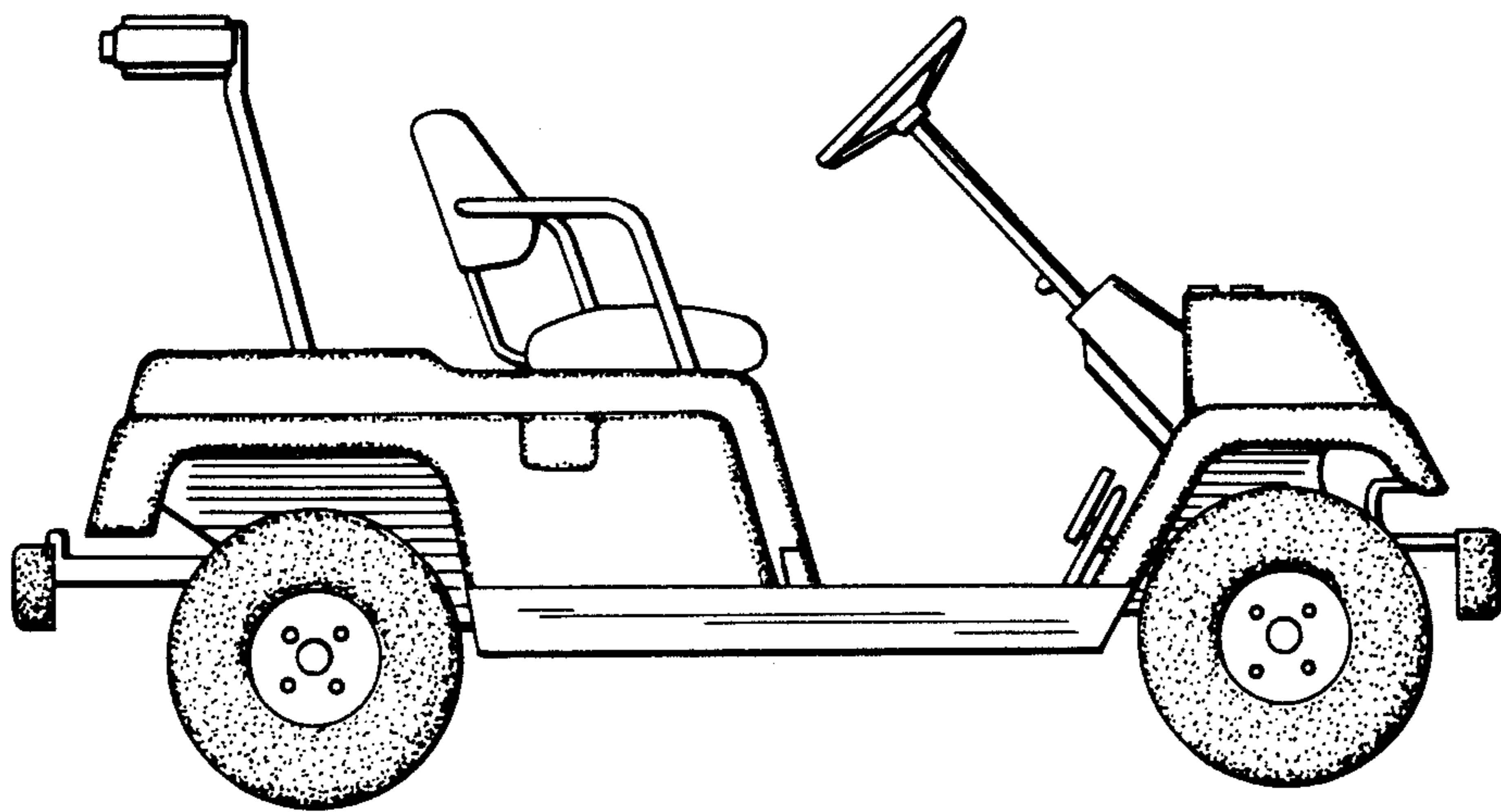


Fig. 5

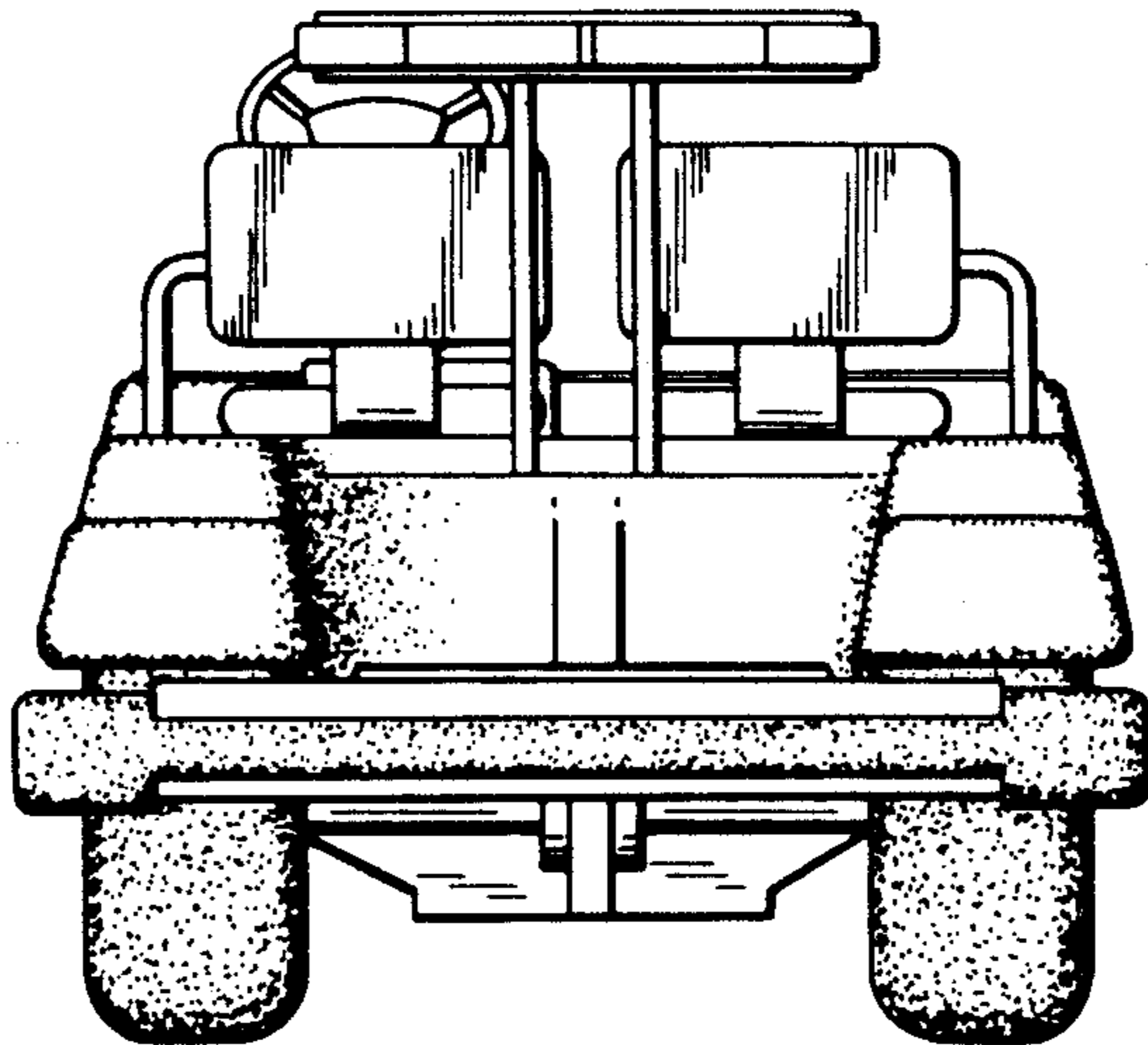


Fig. 6

