

[54] **ELECTRO-OPTIC DIGITAL DISPLAY FOR A TIMEPIECE**

4,092,638 5/1978 Ripley ..... 58/50 R  
4,095,405 6/1978 Tanaka ..... 58/23 R X

[75] Inventor: **Roland C. Pummer**, Hightstown, N.J.

*Primary Examiner*—Nelson C. Holtje  
*Attorney, Agent, or Firm*—Lawrence Hager

[73] Assignee: **Timex Corporation**

[\*\*] Term: **14 Years**

[57] **CLAIM**

[21] Appl. No.: **903,445**

The ornamental design for an electro-optic digital display for a timepiece, as shown and described.

[22] Filed: **May 5, 1978**

**DESCRIPTION**

[51] Int. Cl. .... **D10-07**

FIG. 1 is a front elevational view of an electro-optic digital display for a timepiece showing my new design in a nonenergized condition;

[52] U.S. Cl. .... **D10/125; D10/15**

FIG. 2 is a top plan view thereof;

[58] Field of Search ..... **D10/1.2, 15, 38, 39, D10/122-126; D64/12 B; 340/756-765; 58/23 R, 50 A, 126 R, 126 A, 127 R, 16 D, 57.5; 116/202**

FIG. 3 is a right side elevational view thereof, the left side being a mirror image thereto;

FIG. 4 is a rear elevational view thereof;

[56] **References Cited**

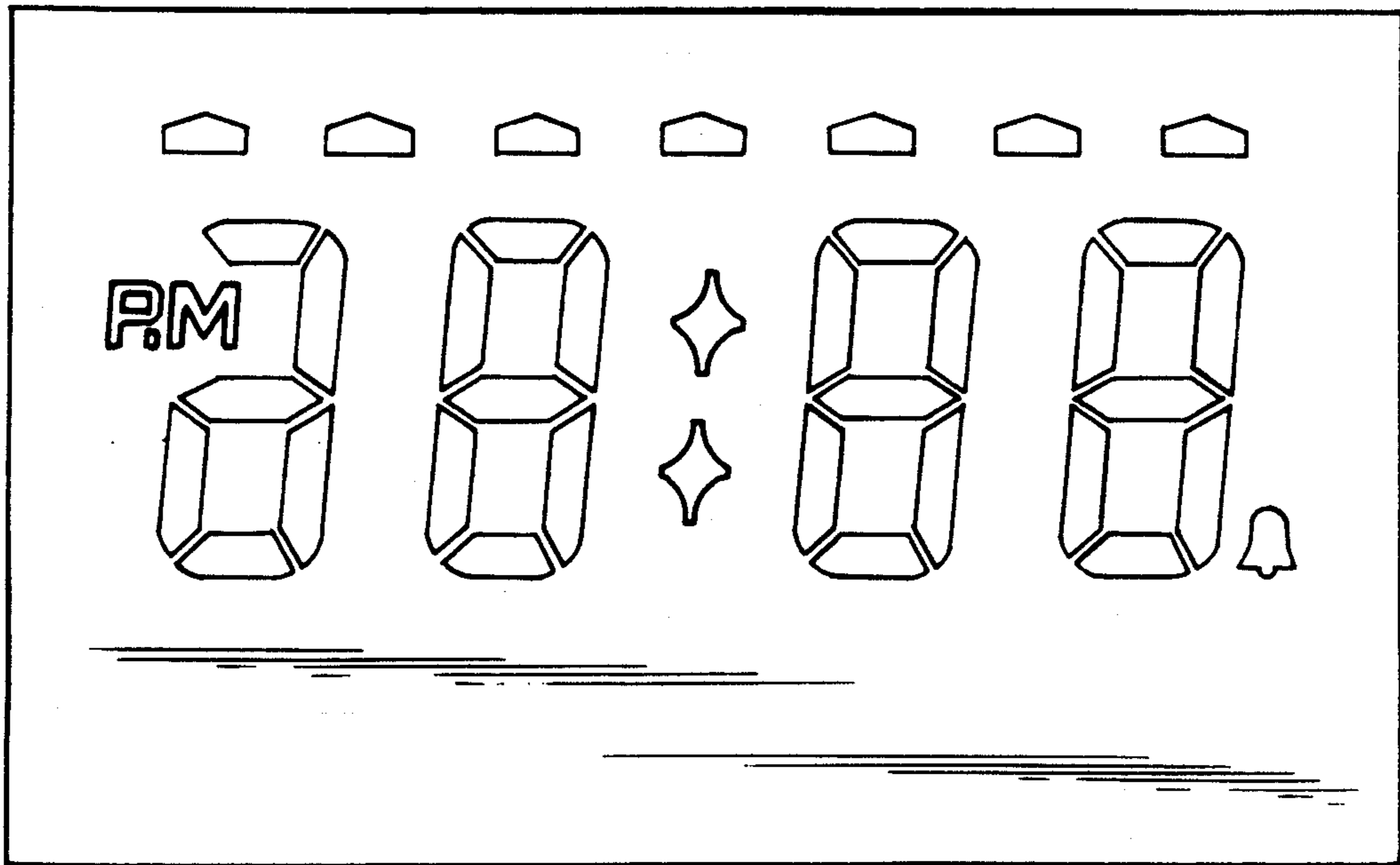
**U.S. PATENT DOCUMENTS**

D. 250,999	2/1979	Karibe .....	D10/125
1,760,760	5/1930	Long .....	D10/28
3,883,213	5/1975	Glaister .....	58/50 R X
3,978,296	8/1976	Moriya .....	58/23 R X
3,982,387	9/1976	Tanaka .....	58/50 R

FIG. 5 is a front elevational view thereof in a representative energized display of 12:45 p.m. on Wednesday;

FIG. 6 is a front elevational view thereof in a representative energized display of the alarm set at 6:30 a.m. on Tuesday;

FIG. 7 is a front elevational view thereof in a representative energized display of Friday, April 6th.



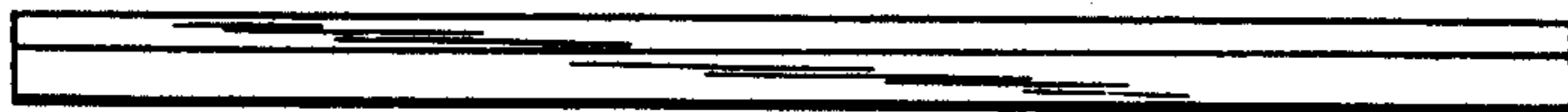


FIG. 2

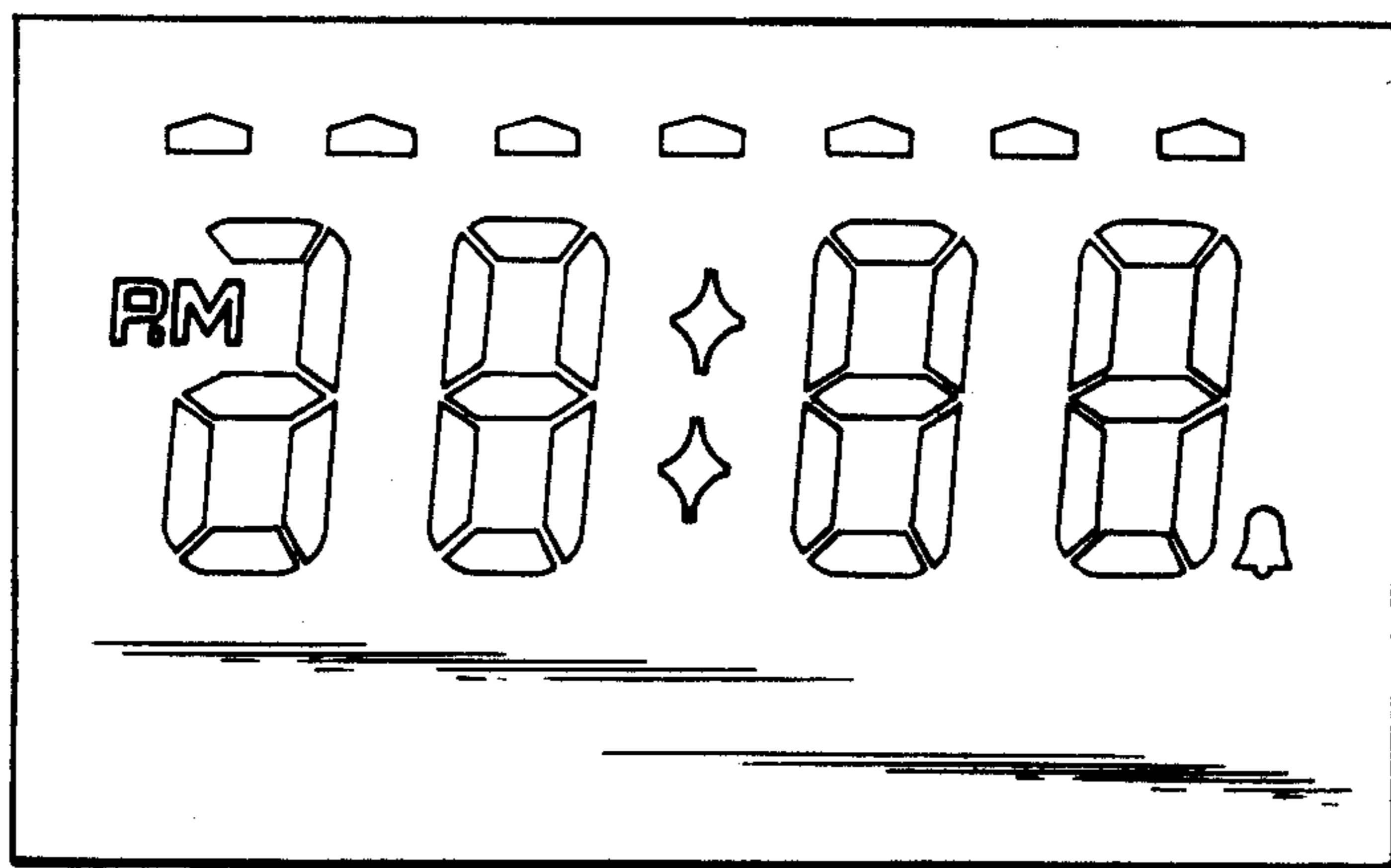


FIG. 1



FIG. 3

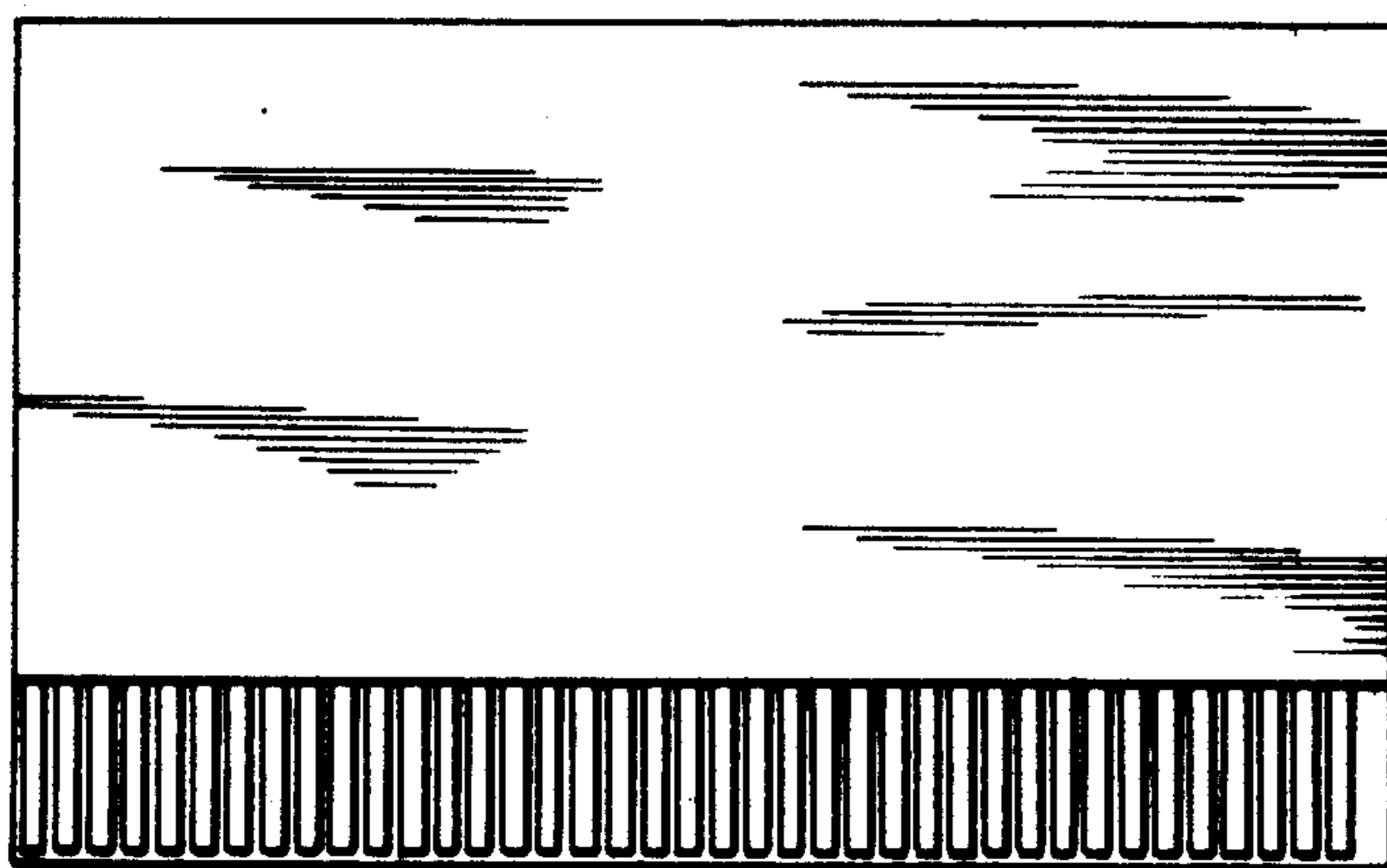


FIG. 4

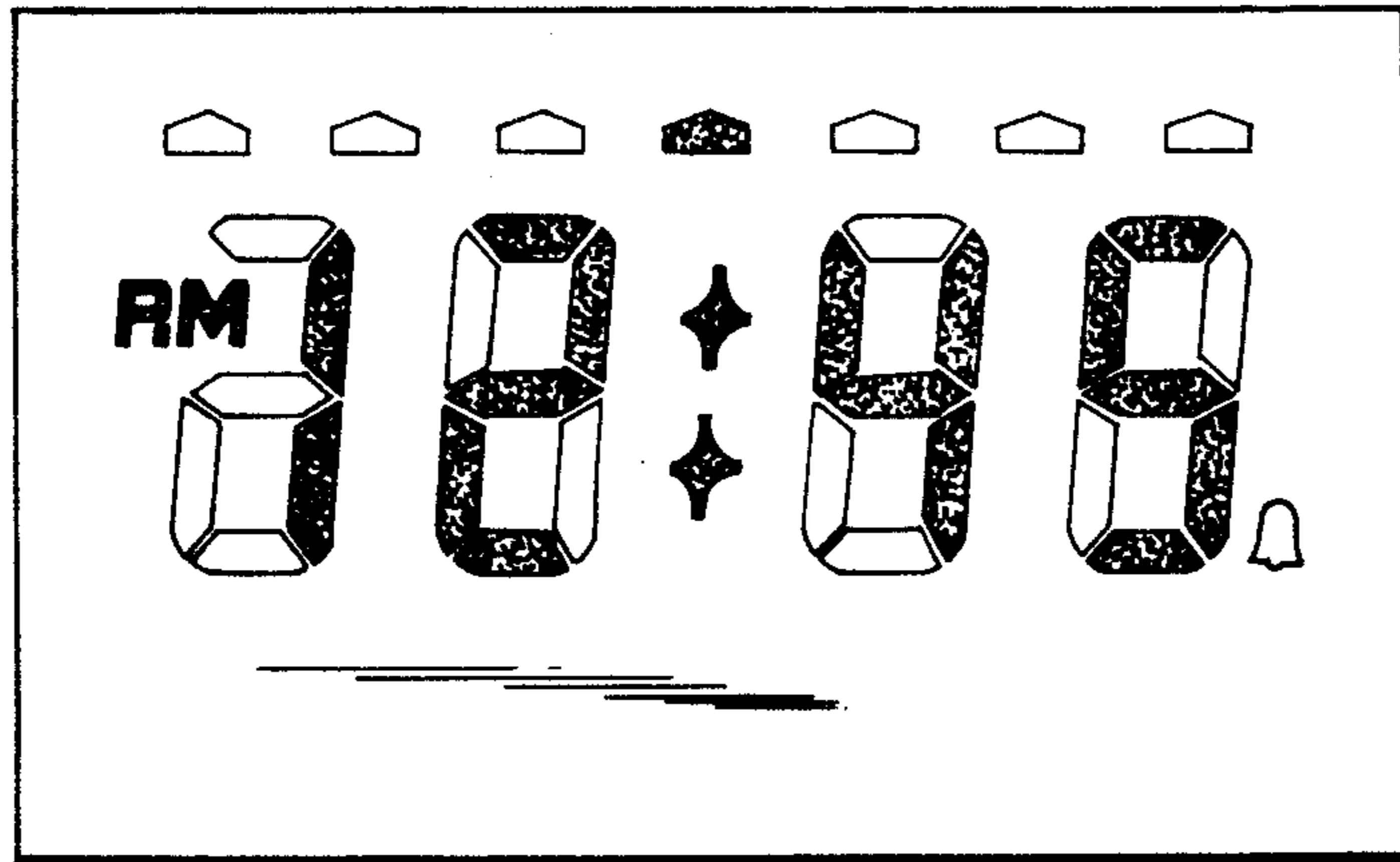


FIG. 5

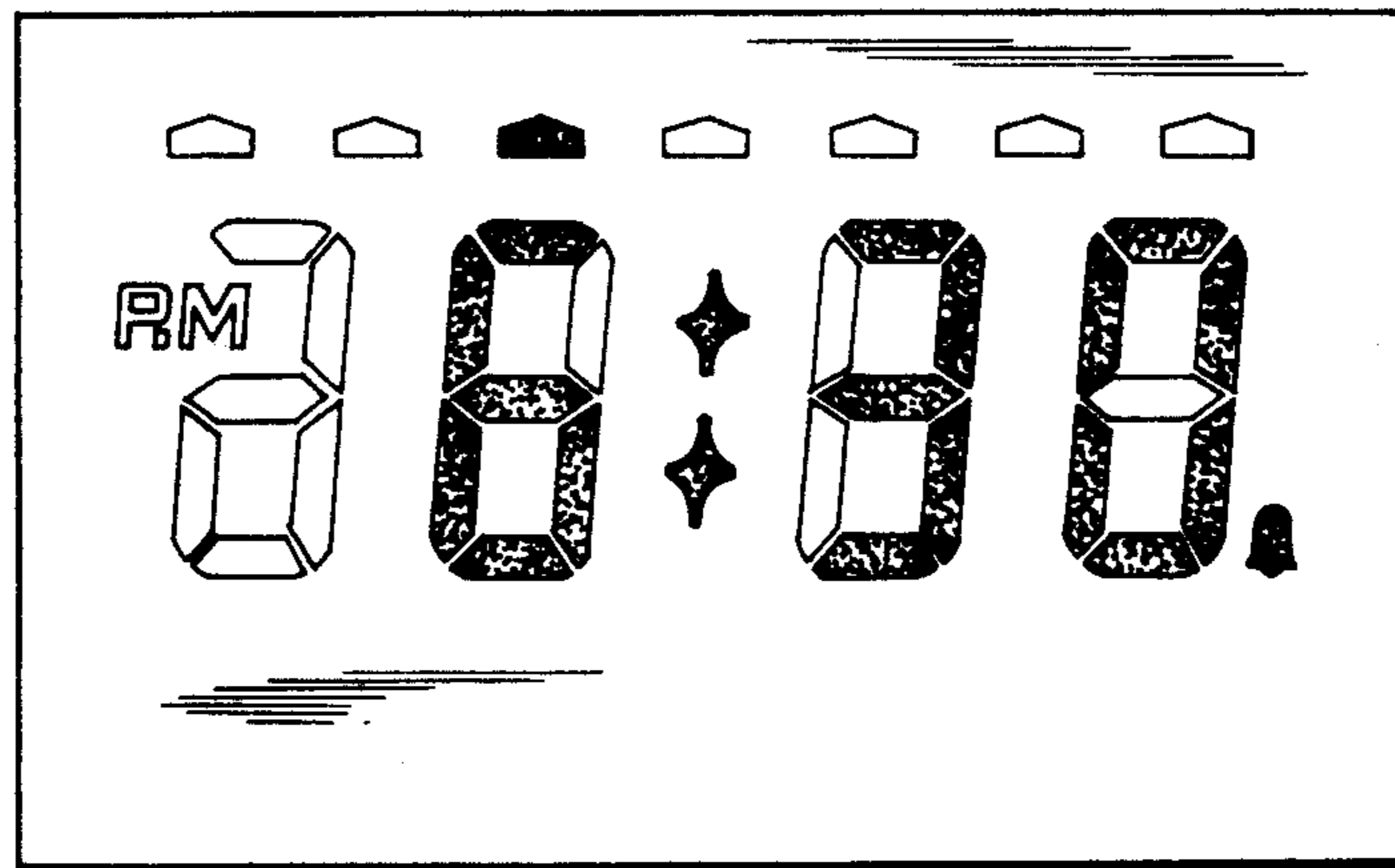


FIG. 6

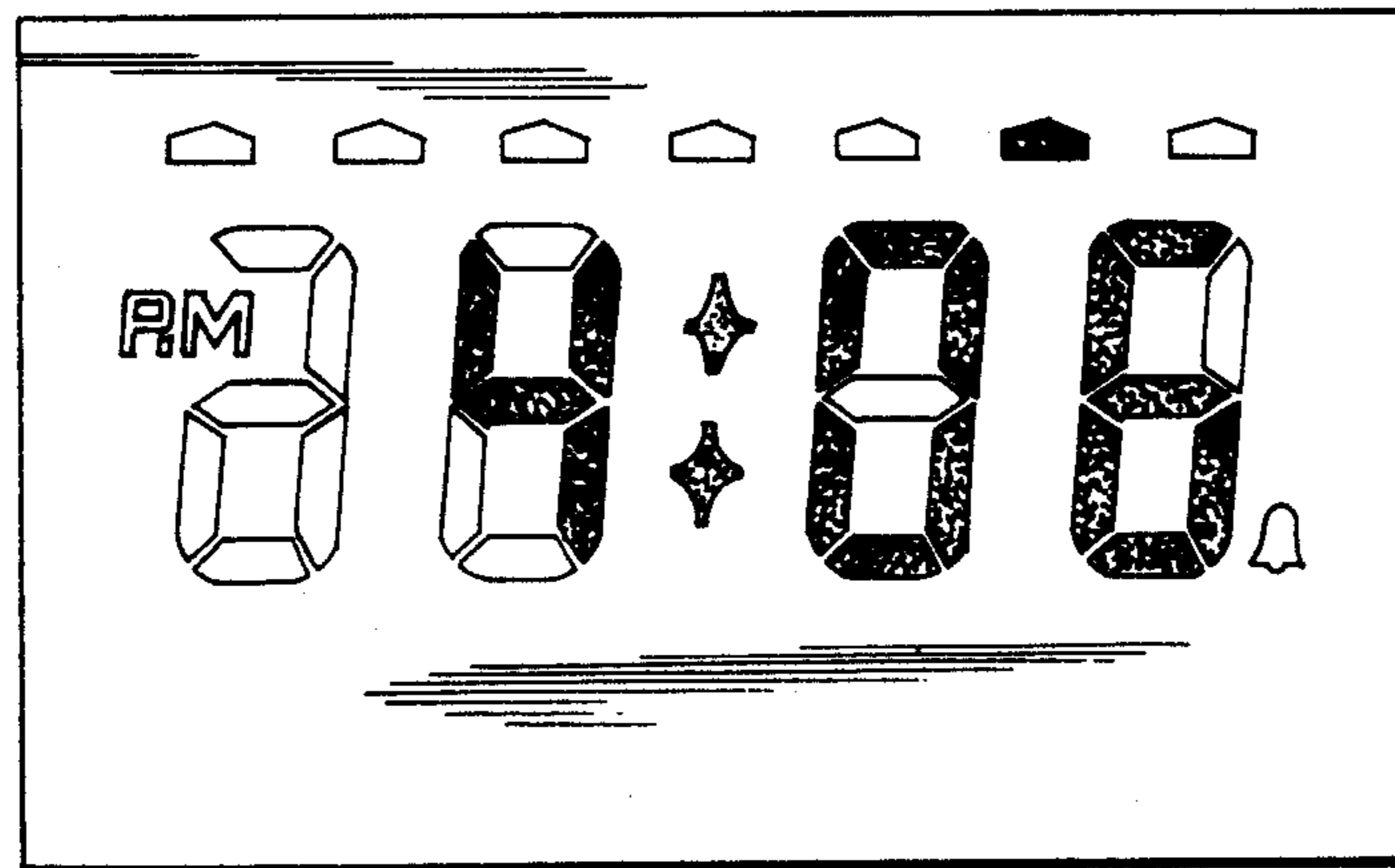


FIG. 7