

Grodin

[54] BOTTLE STOPPER

[75] Inventor: Adam J. Grodin, Forest Hills, N.Y.

[73] Assignee: American Cyanamid Company, Stamford, Conn.

[\*\*] Term: 14 Years

[21] Appl. No.: 768,302

[22] Filed: Feb. 14, 1977

Related U.S. Application Data

[63] Continuation-in-part of Ser. No. 662,299, Mar. 1, 1976, Pat. No. Des. 247,281.

[51] Int. Cl. ..... D9-07

[52] U.S. Cl. ..... D9/254

[58] Field of Search ..... D9/56, 57, 63, 67, 71, D9/82, 83, 84, 94, 97, 106, 117, 118, 121, 130, 138, 139, 141, 145, 164, 166, 168, 169, 254, 282, 284-287; 215/1 R, 1 C, 296, 200

[56]

References Cited

U.S. PATENT DOCUMENTS

D. 34,996	8/1901	Brawner .....	D9/254
D. 60,564	3/1922	Morrison .....	D9/117
D. 75,852	7/1928	Lelong .....	D9/168
D. 87,342	7/1932	Guerlain .....	D9/168
D. 94,010	12/1934	Westlake .....	D9/130
D. 113,422	2/1939	Holle .....	D9/145 X
D. 181,301	10/1957	Loewy .....	D9/139

OTHER PUBLICATIONS

Beauty Fashion, Feb./Mar. 1976, © 1975, p. 27, bottle.

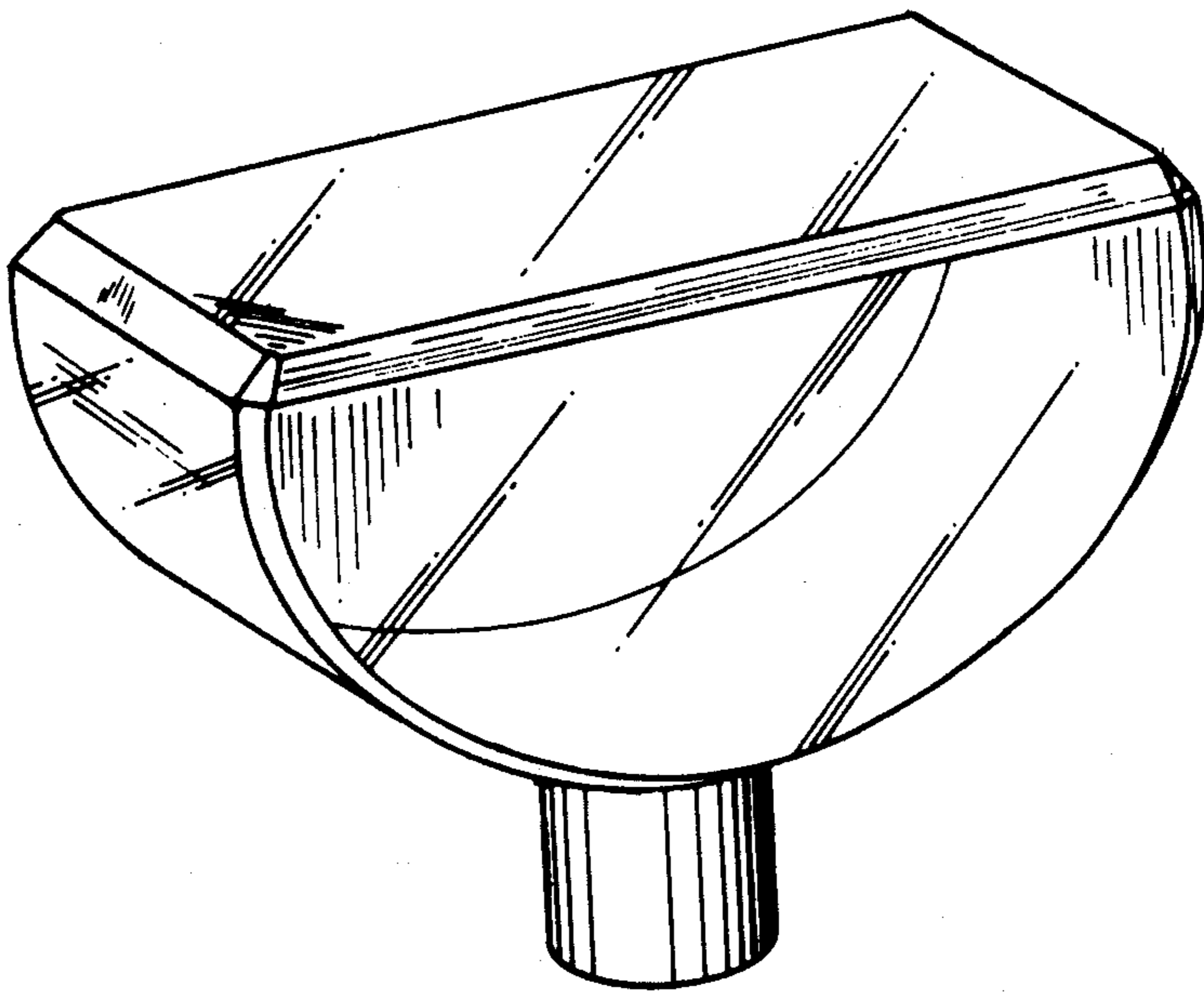
Primary Examiner—Robert C. Spangler  
Attorney, Agent, or Firm—Charles J. Fickey

CLAIM

[57] The ornamental design for a bottle stopper, substantially as shown.

DESCRIPTION

FIG. 1 is a front and left side perspective view of a bottle stopper showing my new design, the right side being identical to the left;  
FIG. 2 is a top plan view thereof;  
FIG. 3 is a side view in elevation.



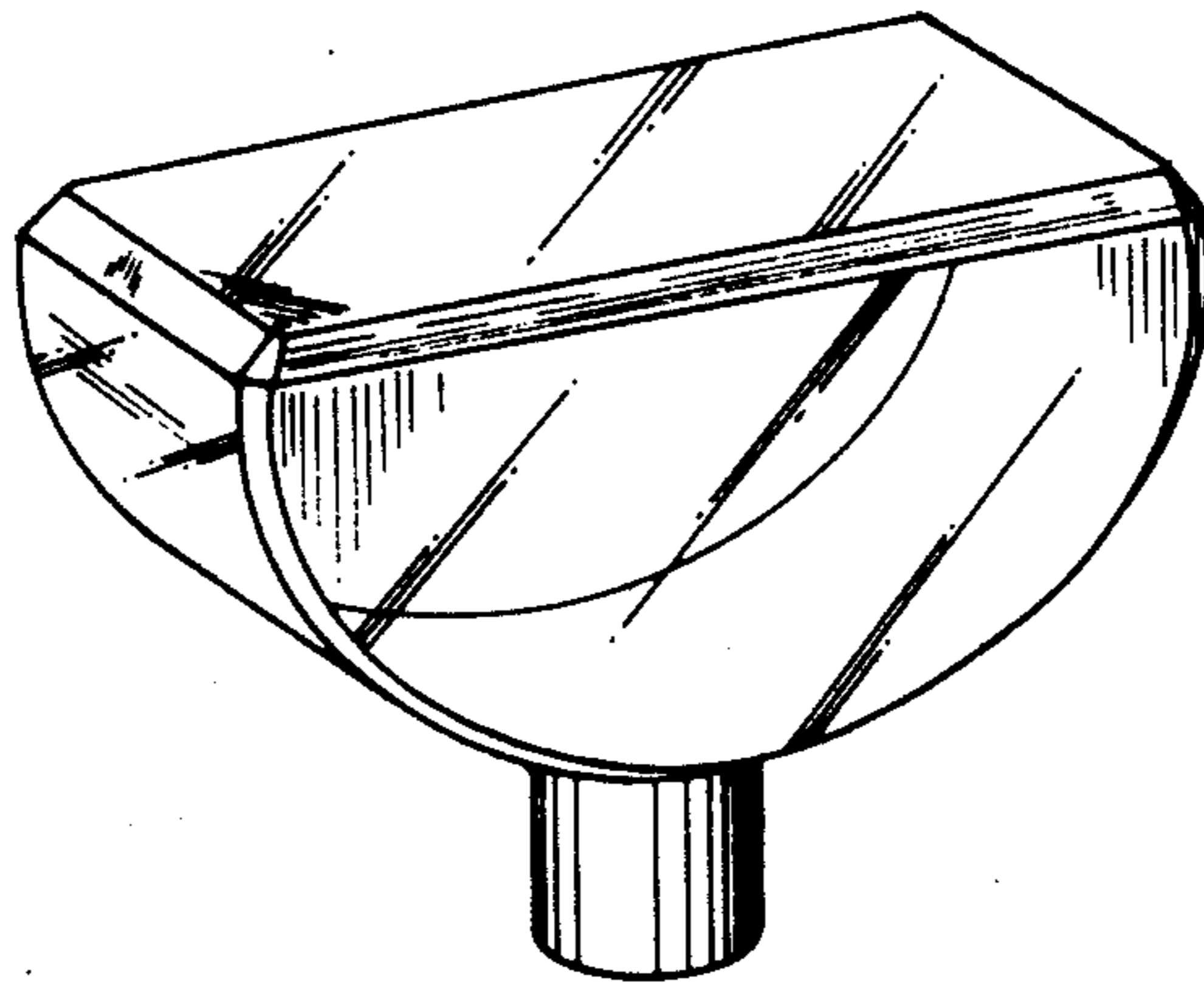


FIG. 1

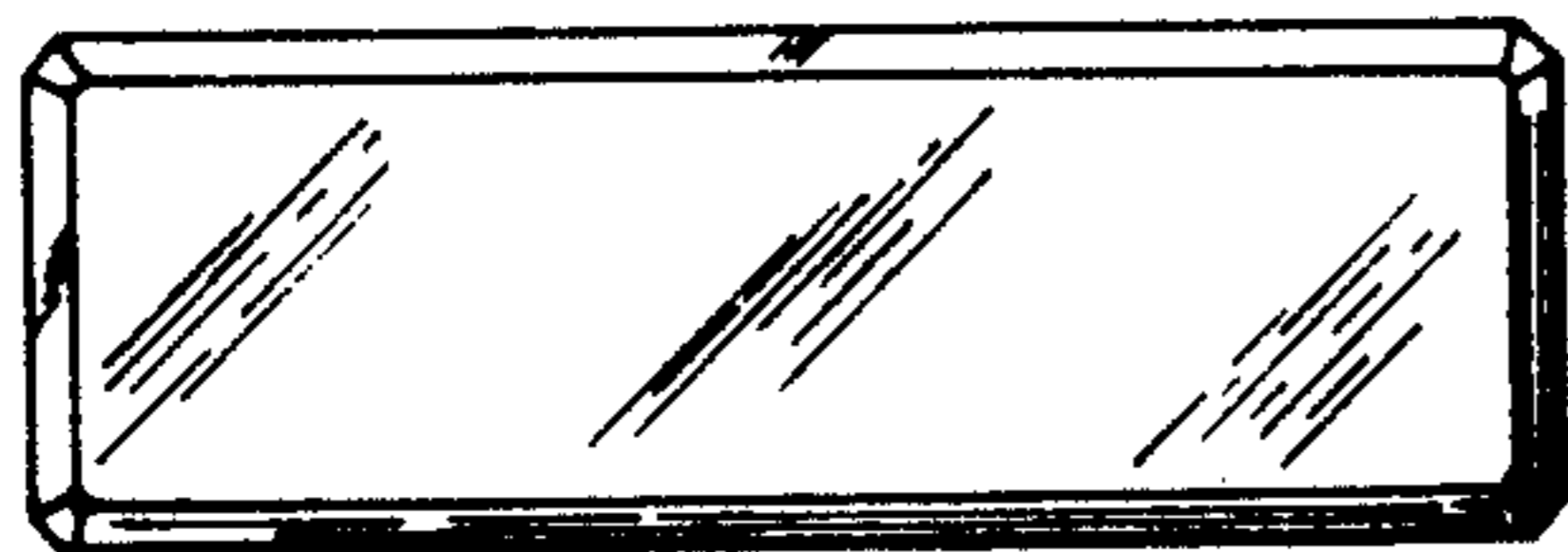


FIG. 2

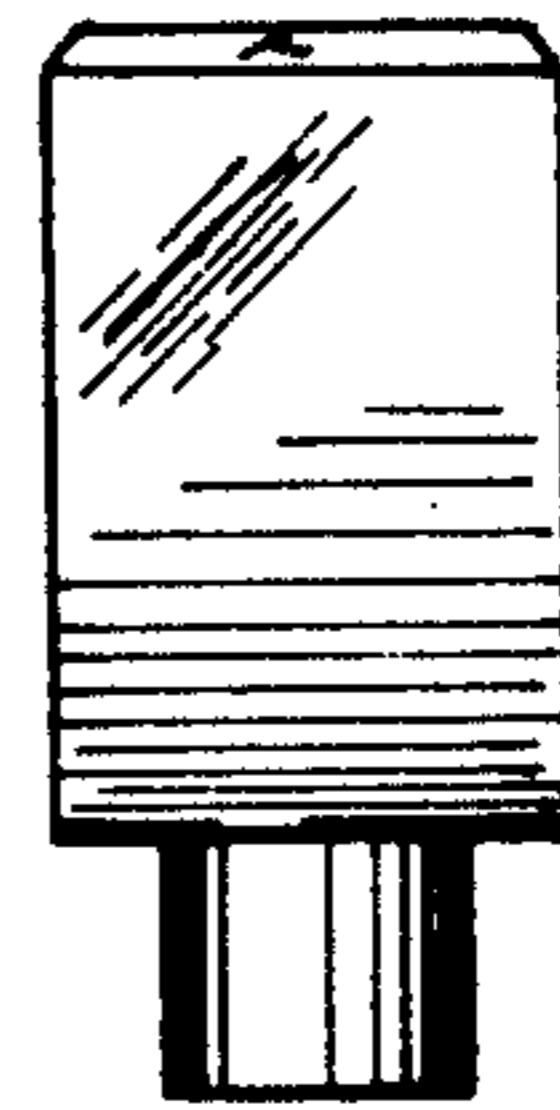


FIG. 3