

[54] DISPLAY CONTAINER

[75] Inventor: Adam J. Grodin, Forest Hills, N.Y.

[73] Assignee: American Cyanamid Company, Stamford, Conn.

[\*\*] Term: 14 Years

[21] Appl. No.: 768,501

[22] Filed: Feb. 14, 1977

Related U.S. Application Data

[63] Continuation-in-part of Ser. No. 662,298, Mar. 1, 1976, Pat. No. Des. 246,437.

[51] Int. Cl. .... D9-03

[52] U.S. Cl. .... D9/224; D9/230

[58] Field of Search ..... D9/12, 222, 224, 230-240; 206/45.31, 45.14, 45.19

[56] References Cited

U.S. PATENT DOCUMENTS

Des. 114,921 5/1939 Eliot ..... D9/12

OTHER PUBLICATIONS

Beauty Fashion, Feb./Mar. 1976, © 1975, p. 41, Rectangular Packaging box in upper left illustration.

Primary Examiner—Robert C. Spangler  
Attorney, Agent, or Firm—Charles J. Fickey

[57] CLAIM

The ornamental design for a display container, substantially as shown and described.

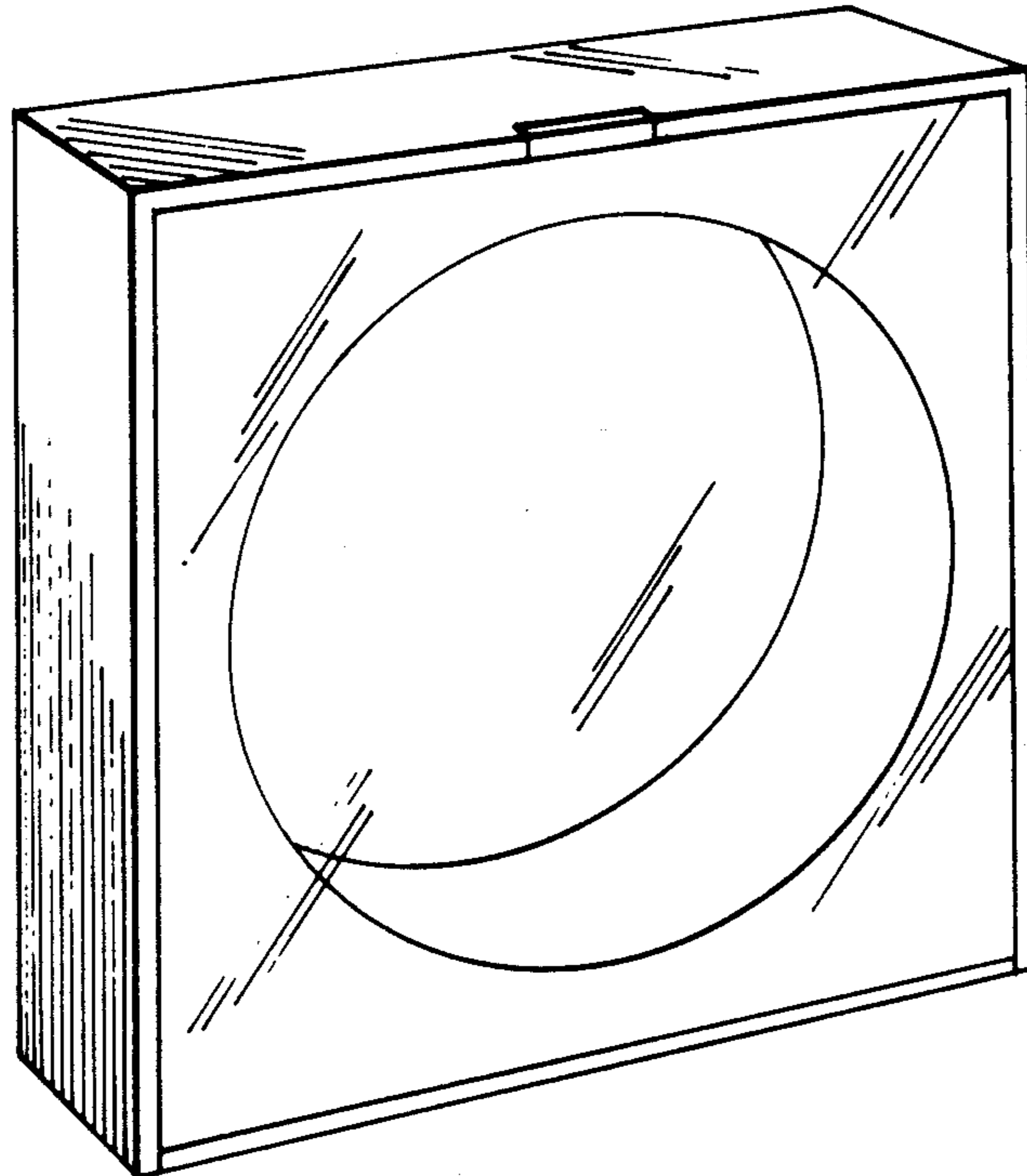
DESCRIPTION

FIG. 1 is a front perspective view of a display container showing my new design.

FIG. 2 is a view similar to FIG. 1 with the container front open; and

FIG. 3 is a rear elevational view.

The bottom and side not shown are plain and unadorned.



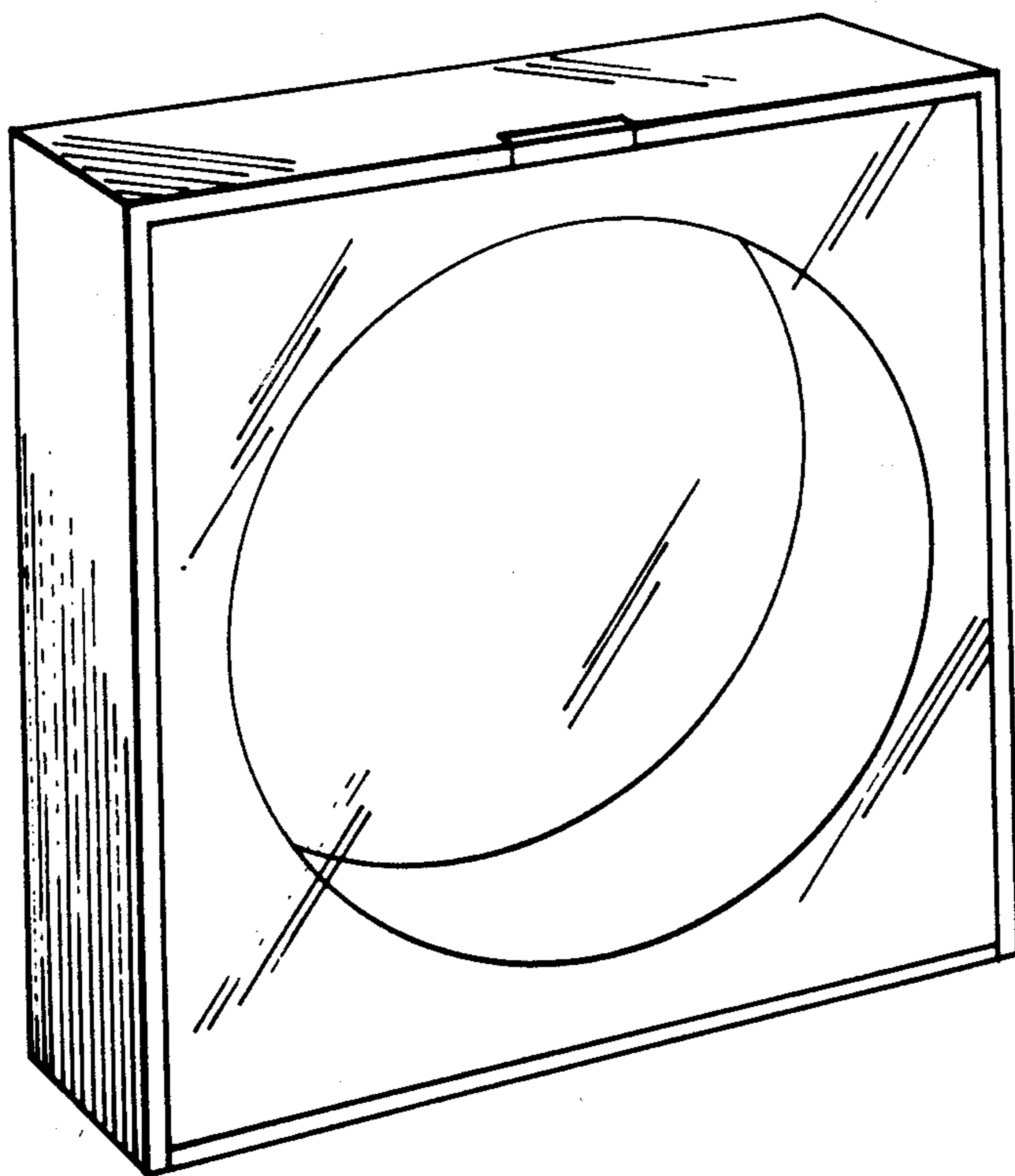


FIG. 1

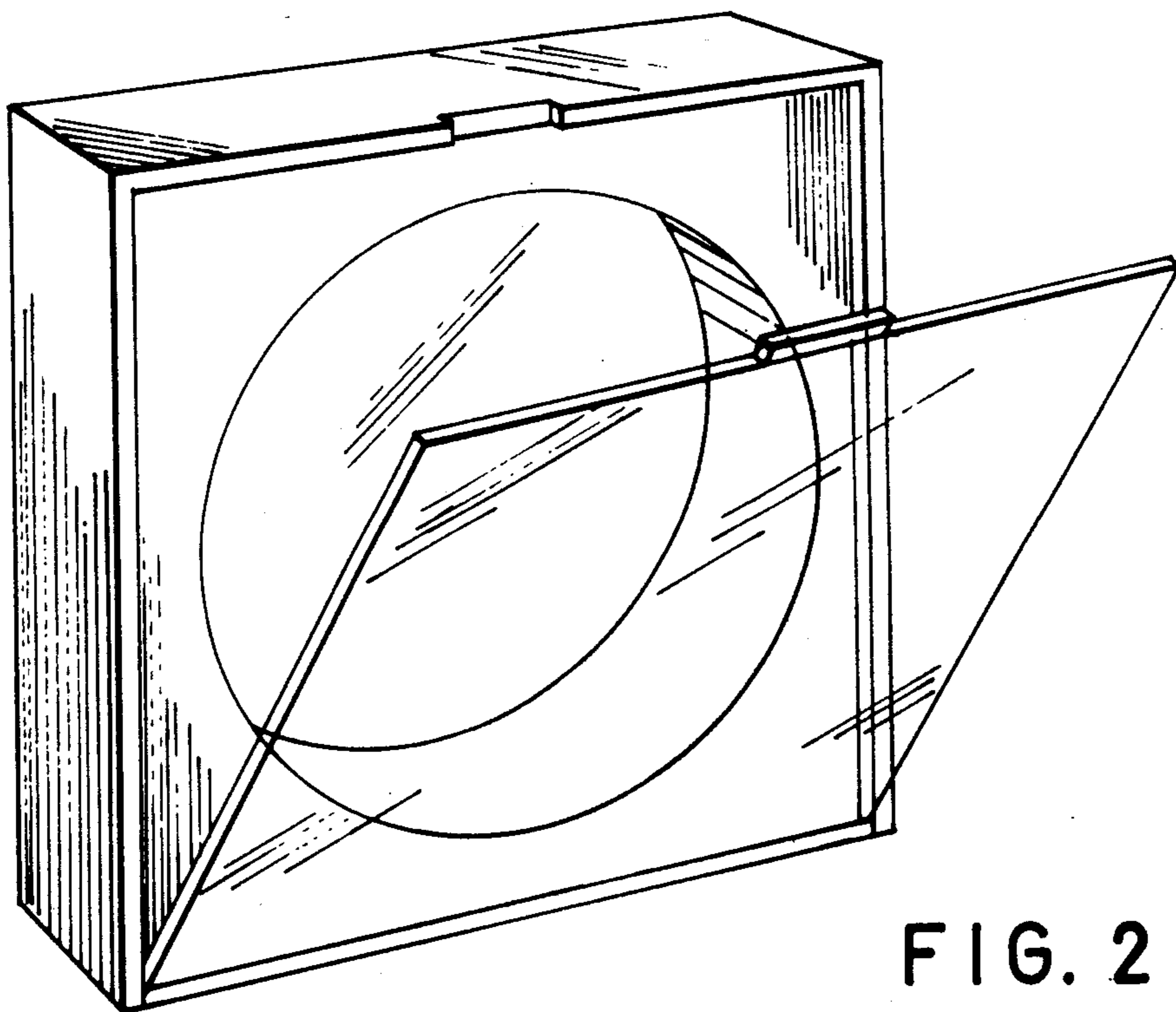


FIG. 2

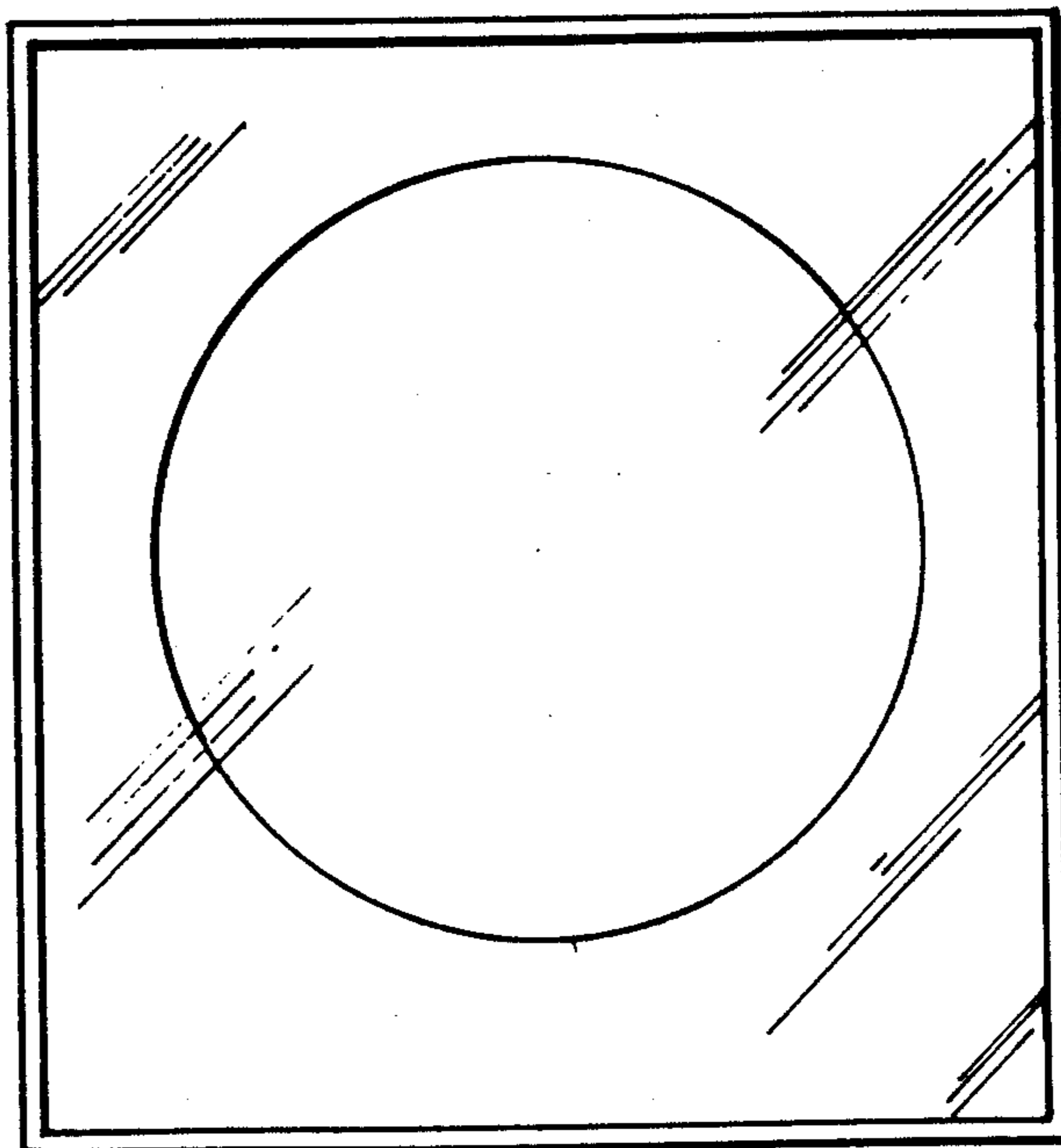


FIG. 3