

[54] CORN POPPER

[75] Inventors: Robert F. Bowen, Burlington, Mass.;
Alfred C. Lange, Buffalo Grove;
Walter B. Herbst, Evanston, both of
Ill.

[73] Assignee: Raytheon Company, Lexington,
Mass.

[**] Term: 14 Years

[21] Appl. No.: 906,717

[22] Filed: May 17, 1978

[51] Int. Cl. D7-02

[52] U.S. Cl. D7/95; D7/85;
D15/105; 219/10.55 E

[58] Field of Search D7/95, 85, 41, 59, 60,
D7/68, 40, 131; D15/105, 104; 219/10.55 E,
10.55 M, 10.55 R; 99/323.5

[56]

References Cited

U.S. PATENT DOCUMENTS

D. 203,854	2/1966	Douglas	D7/85
D. 230,574	3/1974	Commisso	D7/40
D. 234,285	2/1975	Wickenberg	D7/85
3,985,069	10/1976	Cavalluzzi	D7/68

OTHER PUBLICATIONS

HFD-Retailing Home Furnishings, Apr. 24, 1978, Sec-
tion 1, p. 43 (top left).

Primary Examiner—Donald B. Moyer

Attorney, Agent, or Firm—M. D. Bartlett; J. D. Pannone;
J. T. Meaney

[57]

CLAIM

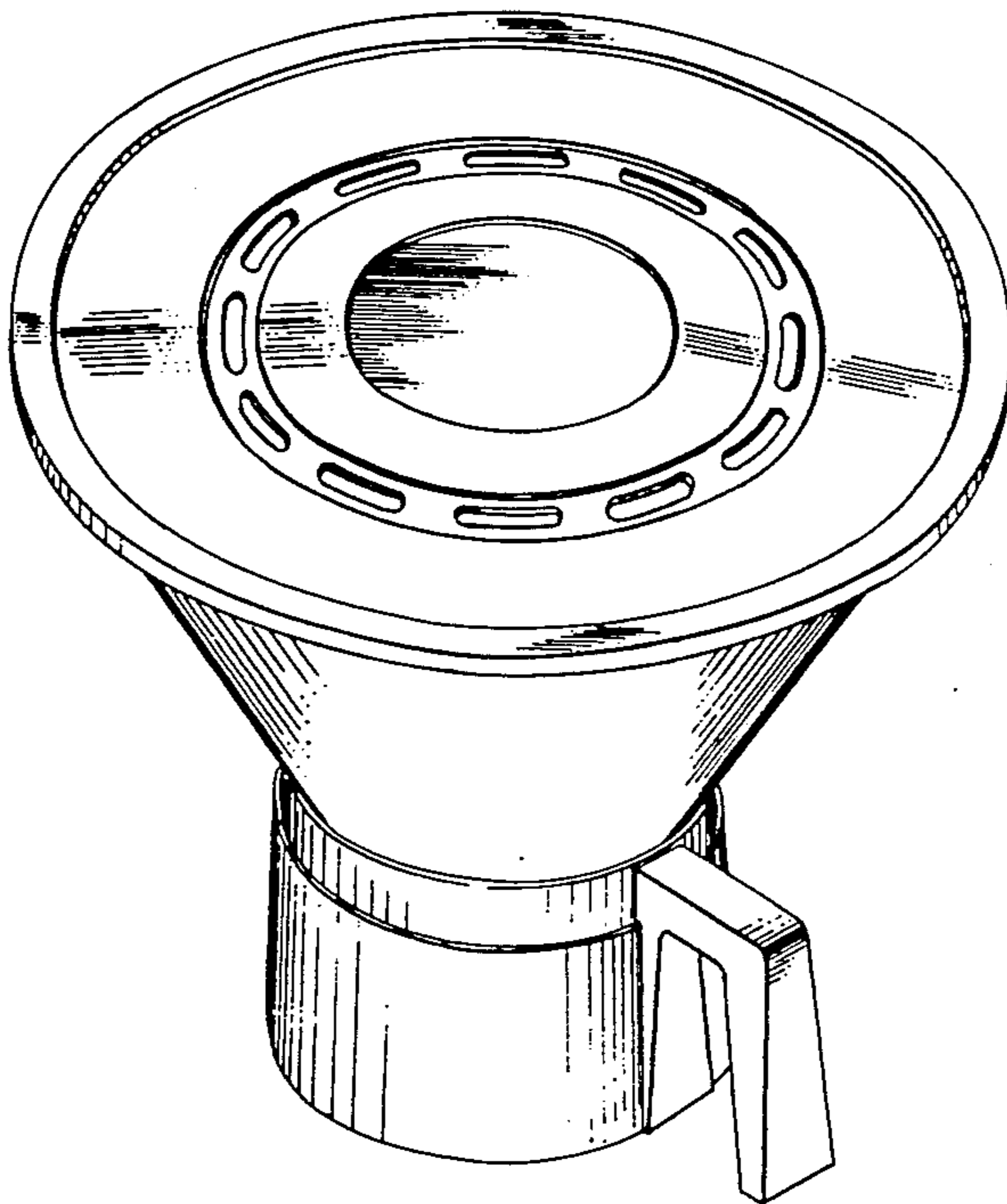
The ornamental design for a corn popper, substantially
as shown and described.

DESCRIPTION

FIG. 1 is a perspective view of a corn popper showing
our new design;

FIG. 2 is a front elevational view; and

FIG. 3 is a top plan view thereof.



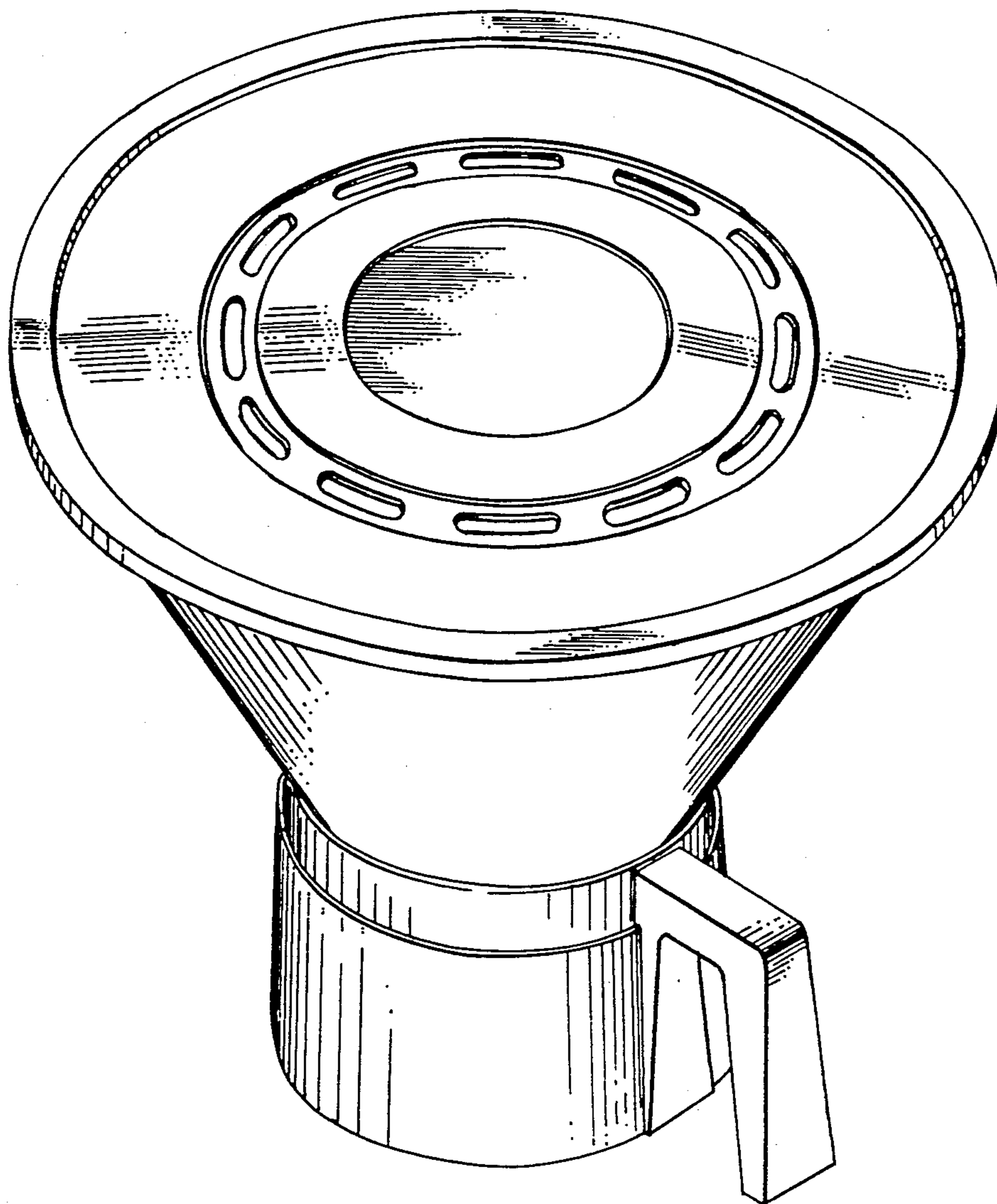


FIG. 1

FIG. 3

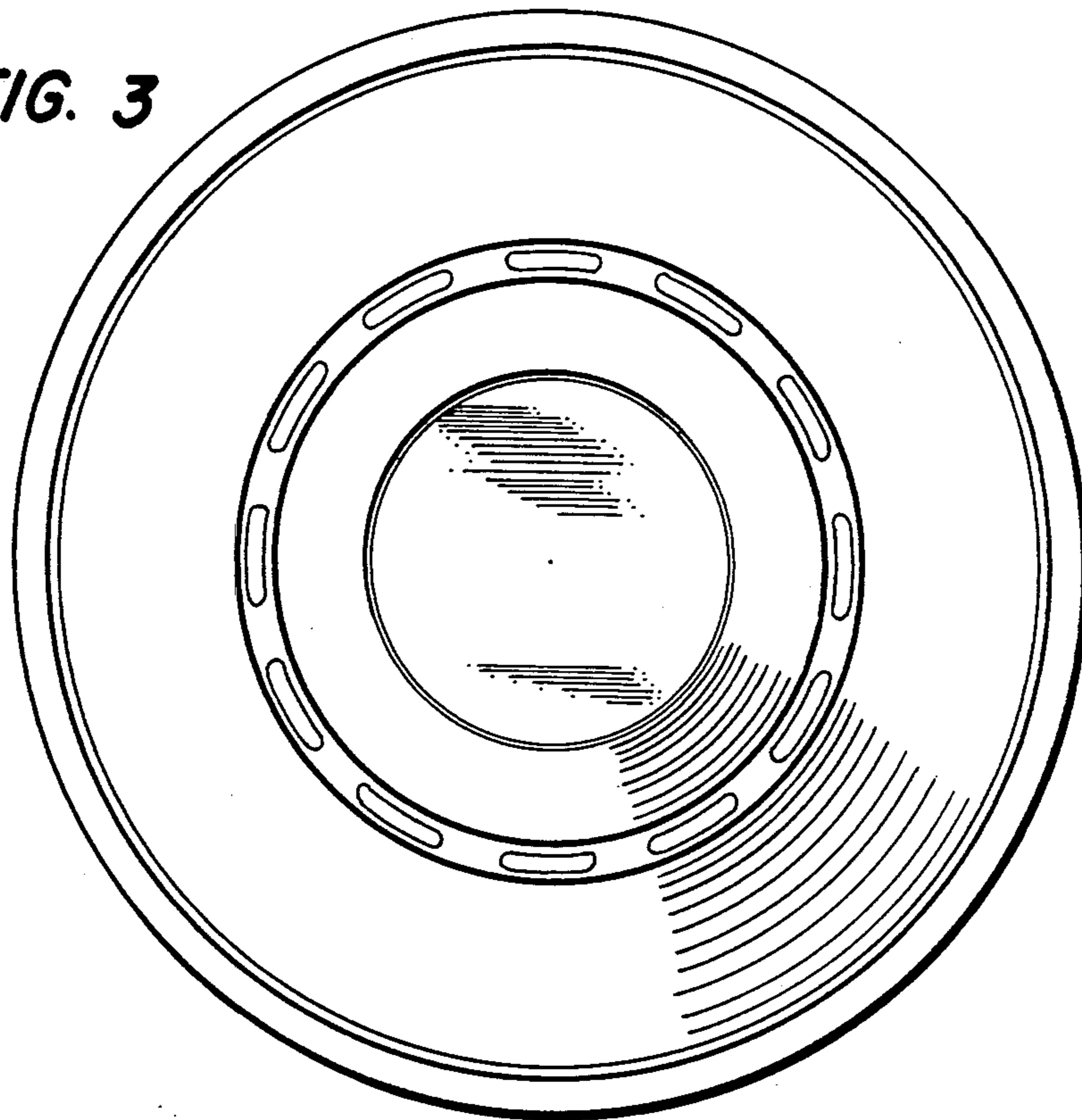


FIG. 2

