

[54] MICROWAVE CORN POPPER

[75] Inventors: Robert F. Bowen, Burlington, Mass.; Alfred C. Lange, Buffalo Grove; Walter B. Herbst, Evanston, both of Ill.

[73] Assignee: Raytheon Company, Lexington, Mass.

[**] Term: 14 Years

[21] Appl. No.: 906,715

[22] Filed: May 17, 1978

[51] Int. Cl. D7-02

[52] U.S. Cl. D7/95; D7/85; D15/105; 219/10.55 E

[58] Field of Search D7/95, 85, 41, 59, 60, D7/68; D15/105, 104; 219/10.55 E, 10.55 M, 10.55 R; 99/323.5

[56] References Cited

U.S. PATENT DOCUMENTS

D. 203,854	2/1966	Douglas	D7/85
D. 234,285	2/1975	Wickenberg	D7/85
3,985,069	10/1976	Cavalluzzi	D7/68

OTHER PUBLICATIONS

HFD-Retailing Home Furnishings, Apr. 24, 1978, Section 1, p. 43 (top left).

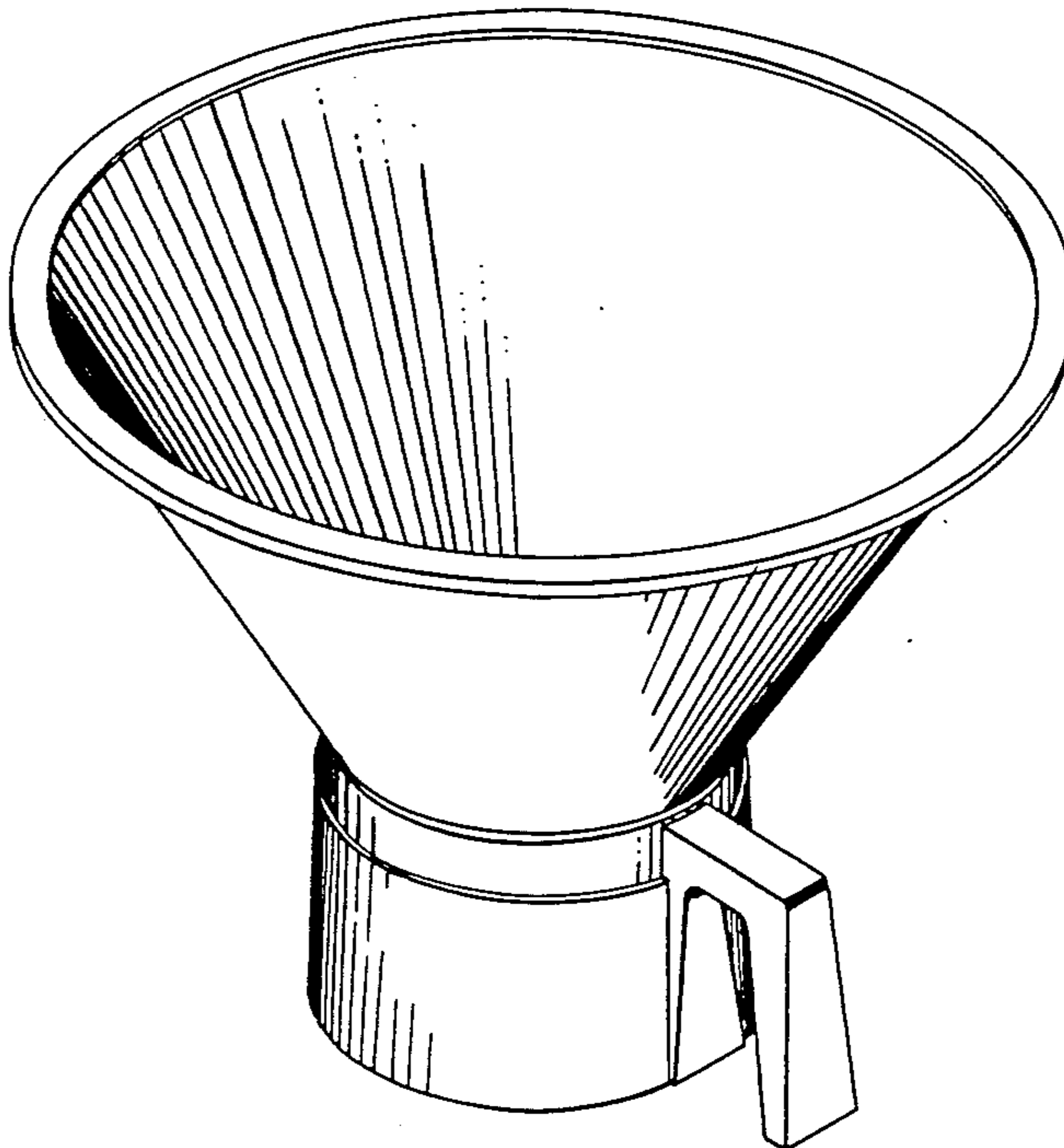
Primary Examiner—Donald B. Moyer
Attorney, Agent, or Firm—M. D. Bartlett; J. D. Pannone; J. T. Meaney

[57] CLAIM

The ornamental design for a microwave corn popper, substantially as shown and described.

DESCRIPTION

FIG. 1 is a perspective view of a microwave corn popper showing our new design; FIG. 2 is a front elevational view; and FIG. 3 is a top plan view thereof.



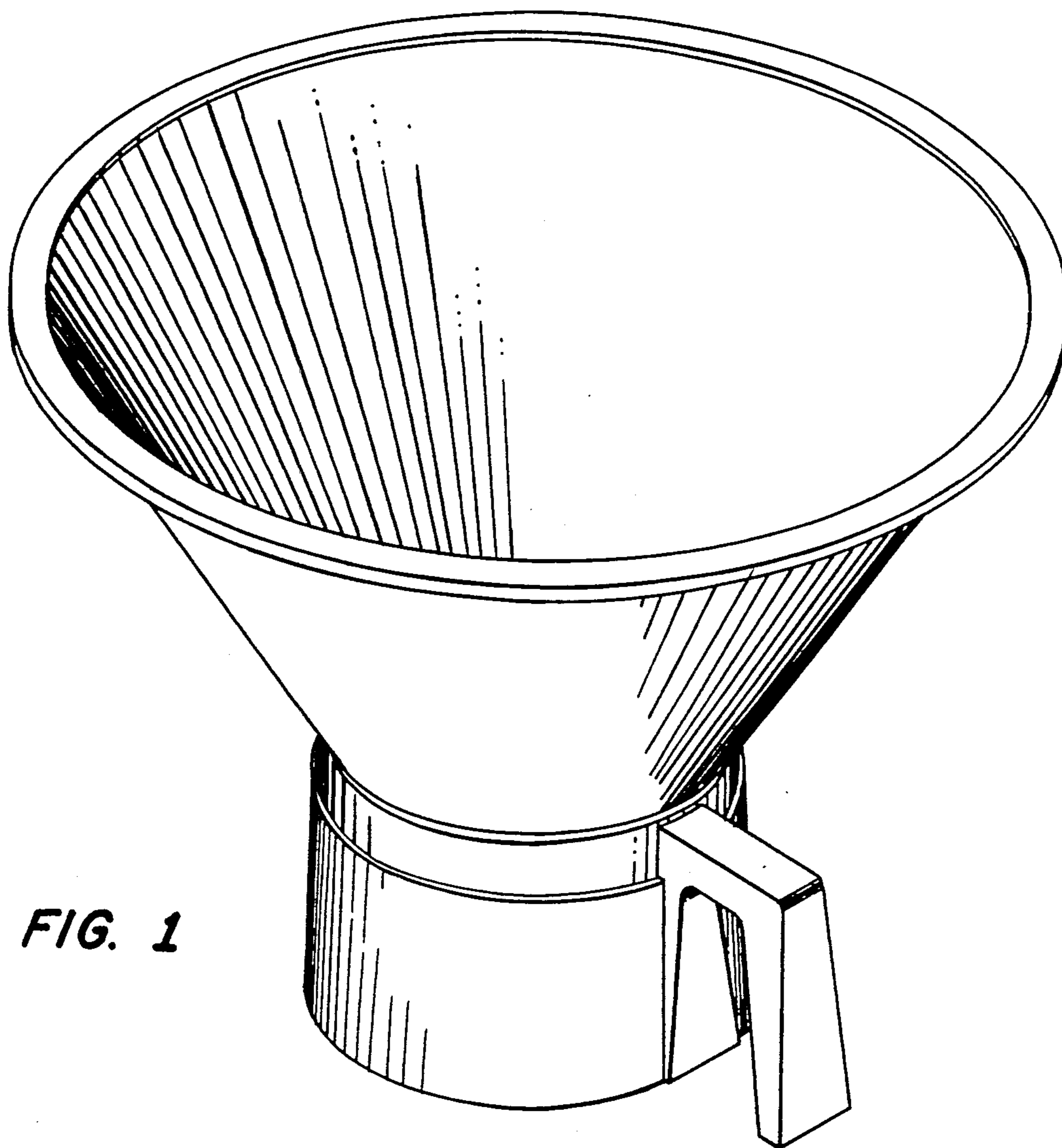


FIG. 1

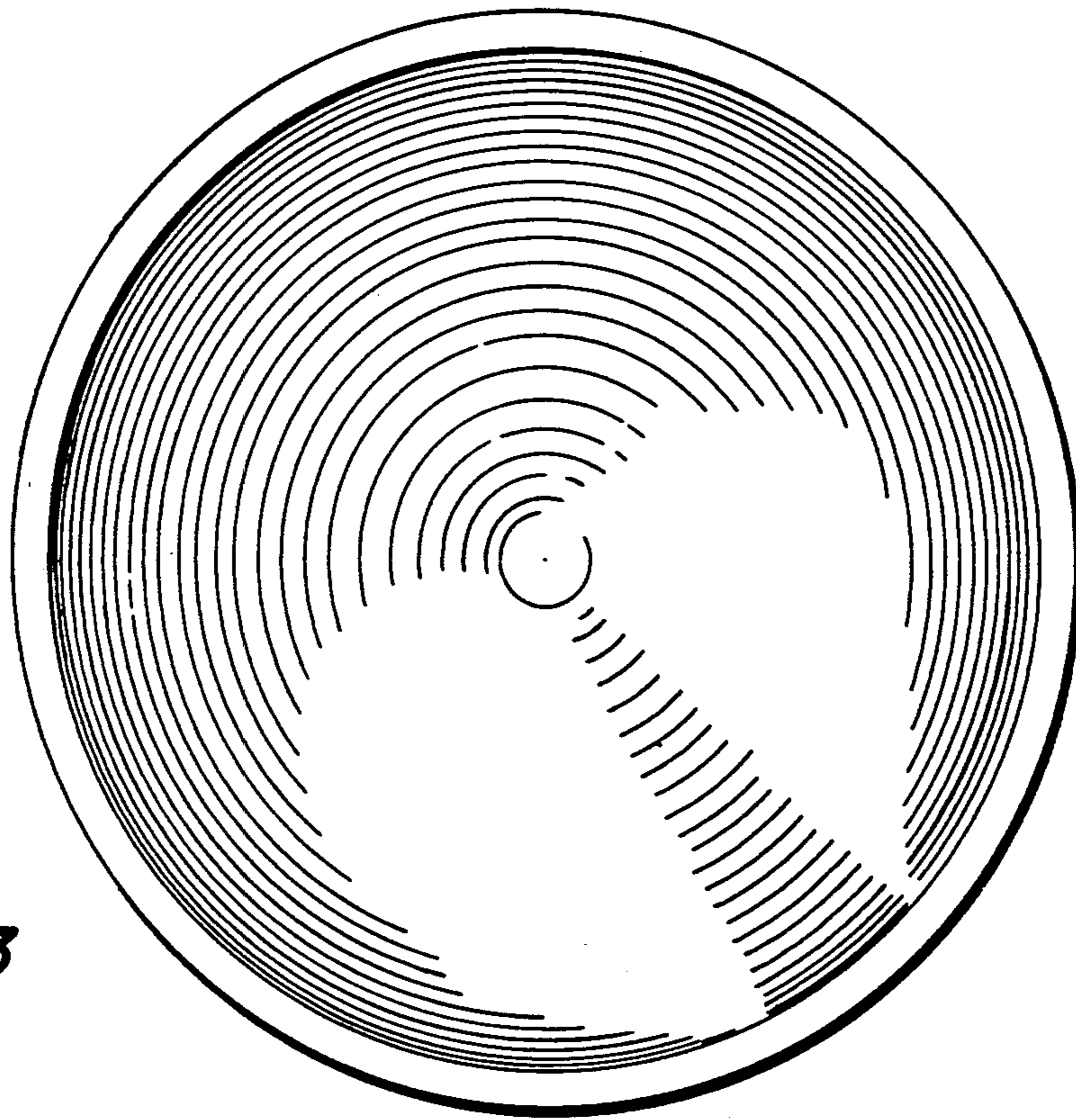


FIG. 3

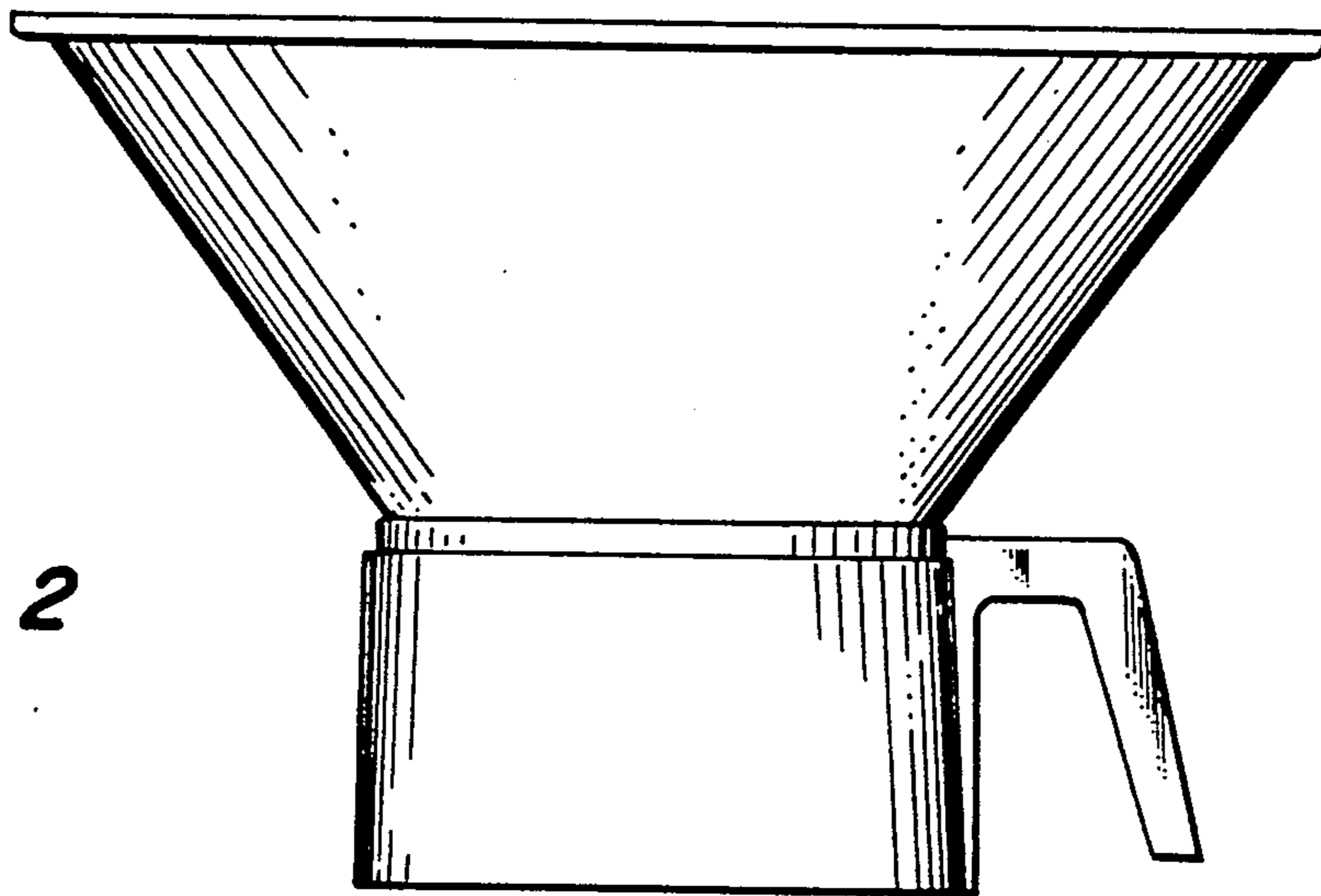


FIG. 2